



US00D735758S

(12) **United States Design Patent**  
**Williams et al.**

(10) **Patent No.:** **US D735,758 S**  
(45) **Date of Patent:** **\*\* Aug. 4, 2015**

(54) **COMPOSITE DIFFERENTIAL PLENUM**

(75) Inventors: **Kelly A. Williams**, South Lyon, MI (US); **Javed A. Mapkar**, Farmington Hills, MI (US); **Gregory L. Heatwole**, Marshall, MI (US); **Daniel S. Frazier**, Kalamazoo, MI (US)

(73) Assignee: **Eaton Corporation**, Cleveland, OH (US)

(\*\*) Term: **14 Years**

(21) Appl. No.: **29/426,304**

(22) Filed: **Jul. 3, 2012**

(51) **LOC (10) Cl.** ..... **15-01**

(52) **U.S. Cl.**  
USPC ..... **D15/5**

(58) **Field of Classification Search**  
USPC ..... D15/1-6, 148, 149, 199; 192/85.02, 192/103 F, 85, 88, 70, 11; D12/160, 159; 475/226, 220, 149, 150, 151, 152, 153, 475/154, 249, 248, 231; 180/305  
See application file for complete search history.

(56) **References Cited**

U.S. PATENT DOCUMENTS

3,490,312 A \* 1/1970 Dehart et al. .... 475/88  
6,109,615 A \* 8/2000 Gildea et al. .... 277/349  
6,238,315 B1 \* 5/2001 Morse et al. .... 475/88  
6,332,522 B1 \* 12/2001 Morse et al. .... 192/85.02  
6,719,362 B1 4/2004 Johnson et al.  
6,814,399 B2 11/2004 Johnson et al.

7,063,198 B2 \* 6/2006 Fratta et al. .... 192/85.02  
7,341,136 B2 \* 3/2008 Park ..... 192/85.02  
8,763,777 B2 \* 7/2014 Burns et al. .... 192/85.02  
2007/0077379 A1 4/2007 Passera et al.

FOREIGN PATENT DOCUMENTS

WO WO 2008/025133 3/2008

\* cited by examiner

*Primary Examiner* — T. Chase Nelson

*Assistant Examiner* — Ania Aman

(74) *Attorney, Agent, or Firm* — Dierker & Associates, P.C.

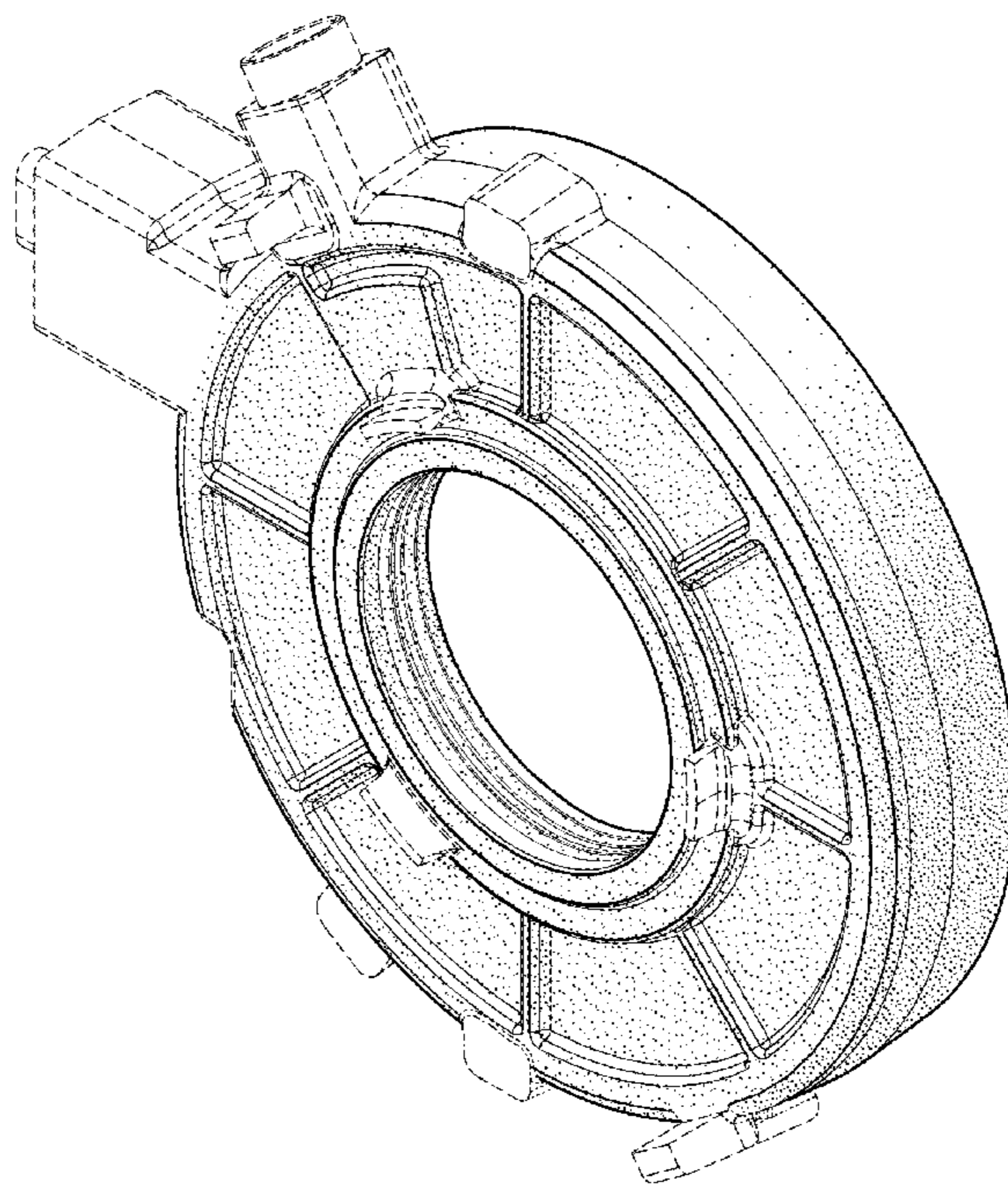
(57) **CLAIM**

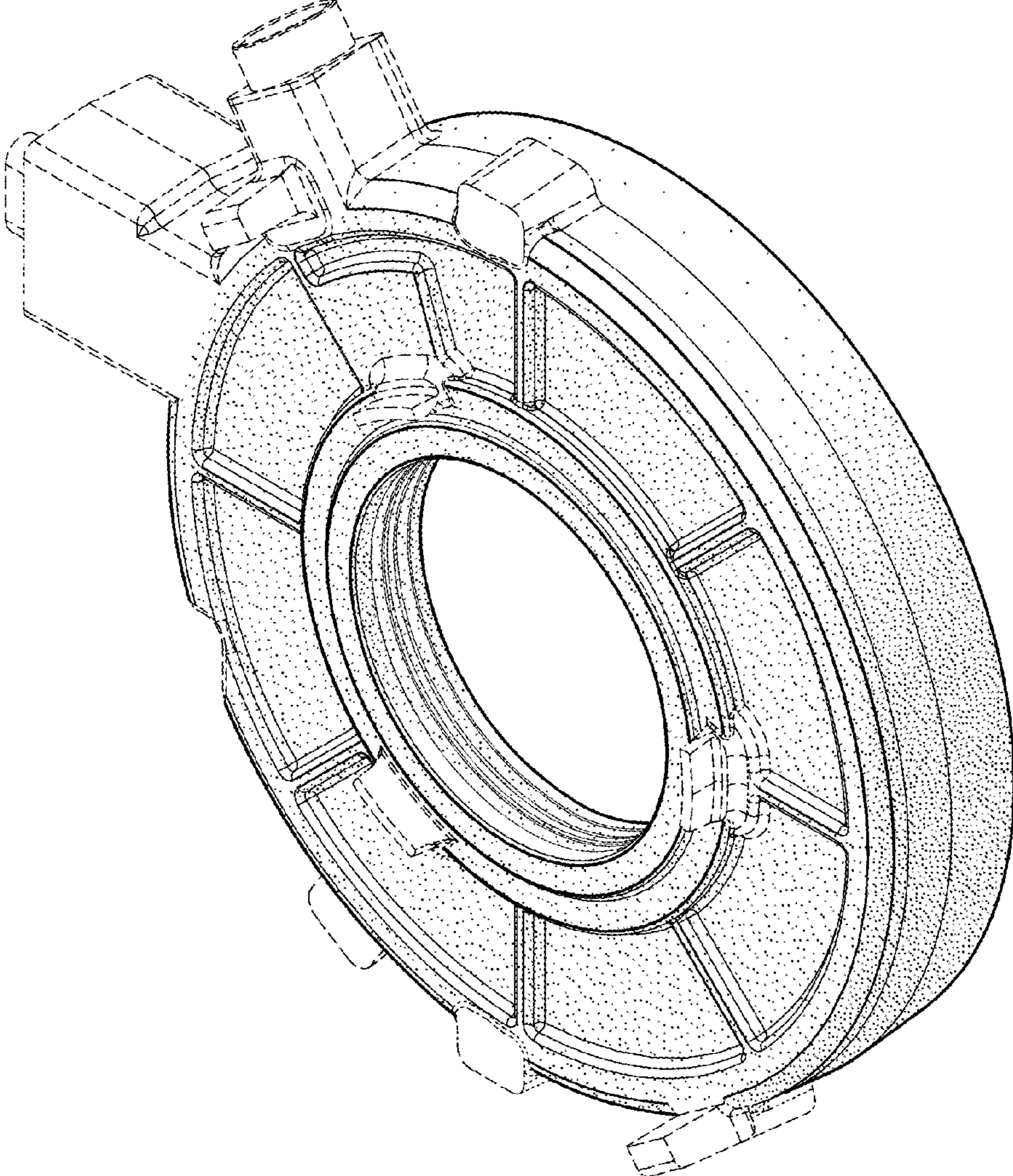
The ornamental design for a composite differential plenum, as shown and described.

**DESCRIPTION**

FIG. 1 is a front perspective view of a composite differential plenum showing our new design; FIG. 2 is a rear perspective view of FIG. 1, but rotated 180°; FIG. 3 is a rear elevation view; FIG. 4 is a front elevation view; FIG. 5 is a right side elevation view; FIG. 6 is a left side elevation view; FIG. 7 is a top plan view, rotated 90° clockwise; and, FIG. 8 is a bottom plan view, rotated 90° counterclockwise. The broken line shown in the drawings are for the purpose of illustrating portions of the article and form no part of the claimed design.

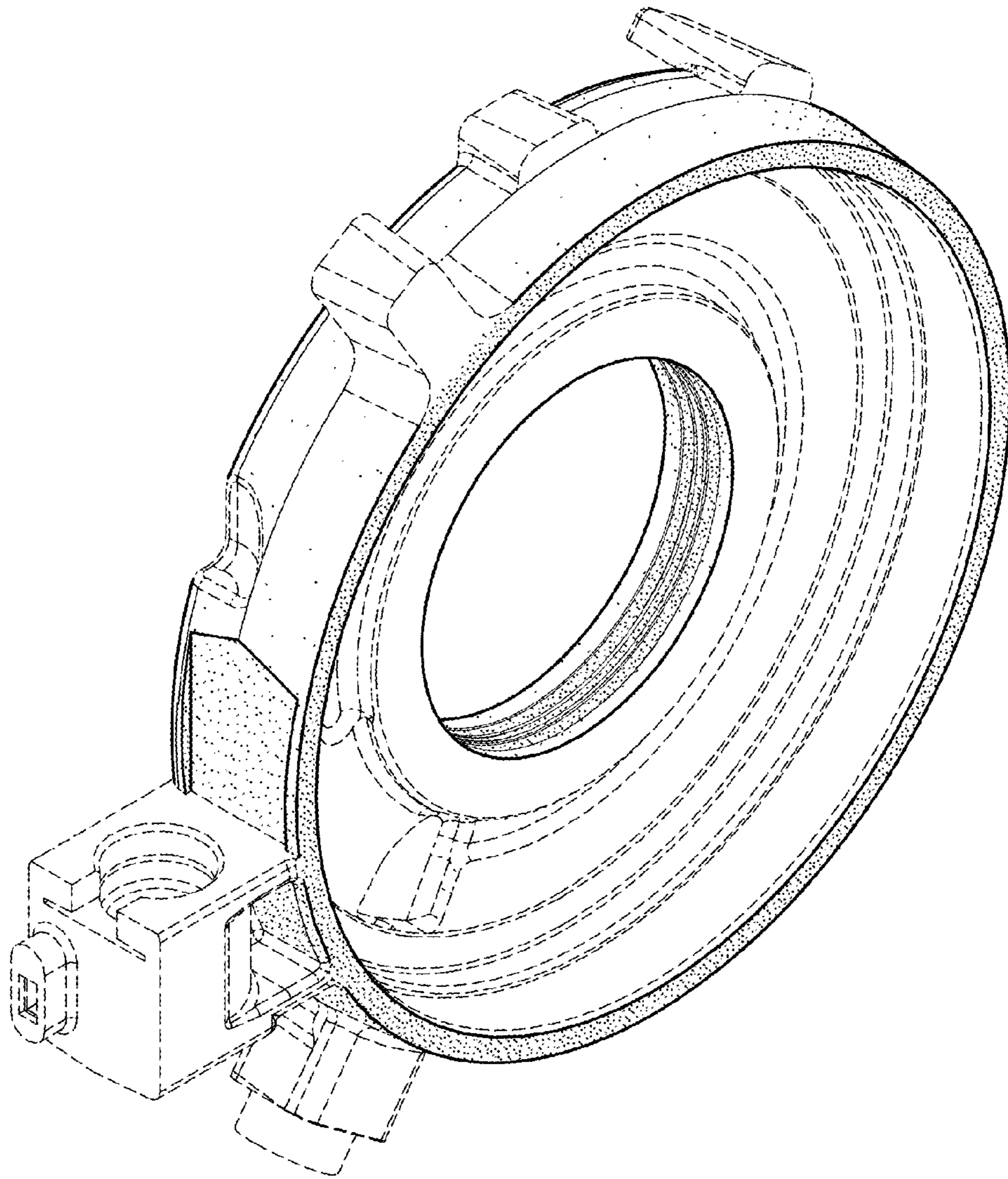
**1 Claim, 6 Drawing Sheets**



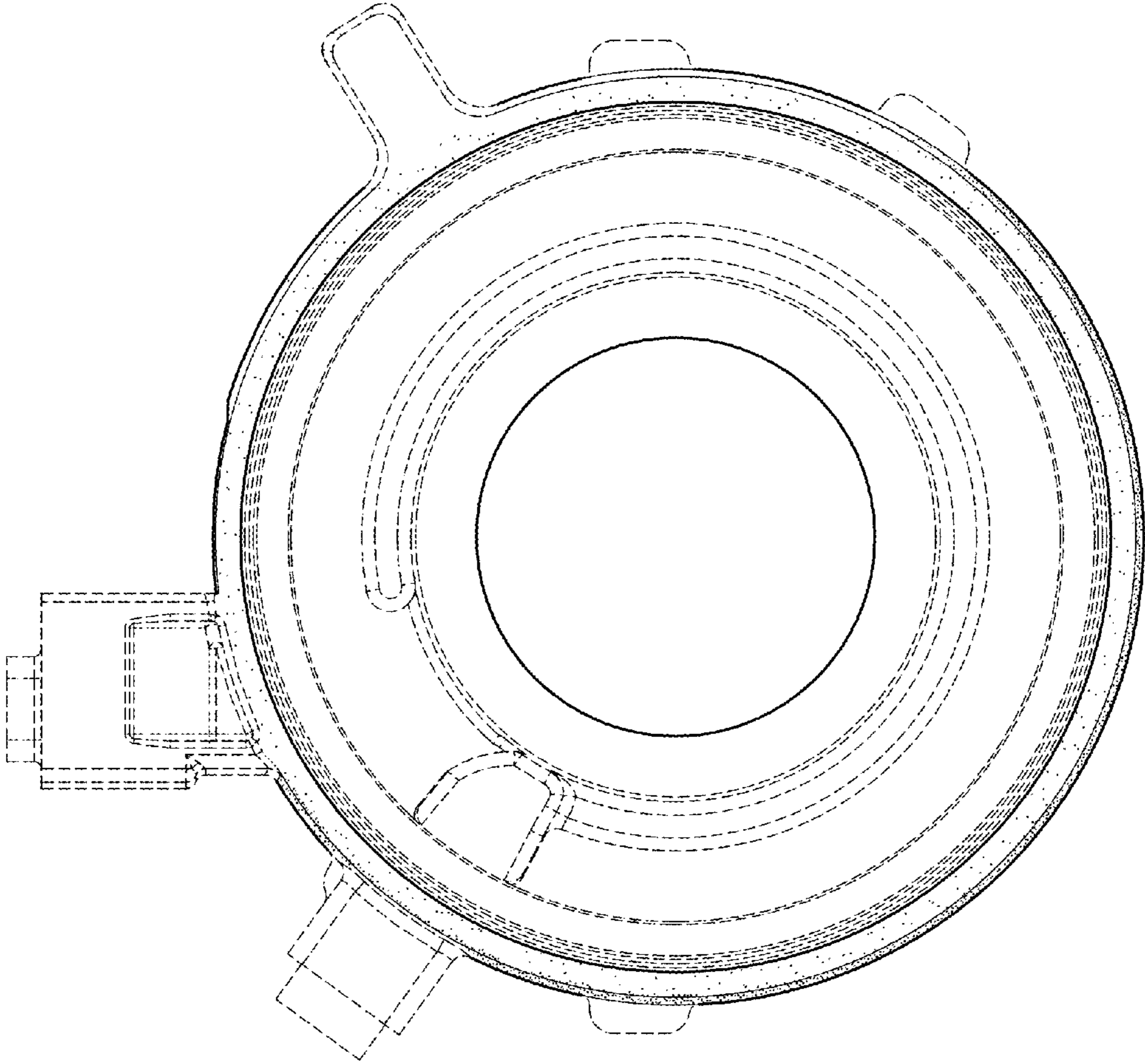


**FIG. 1**

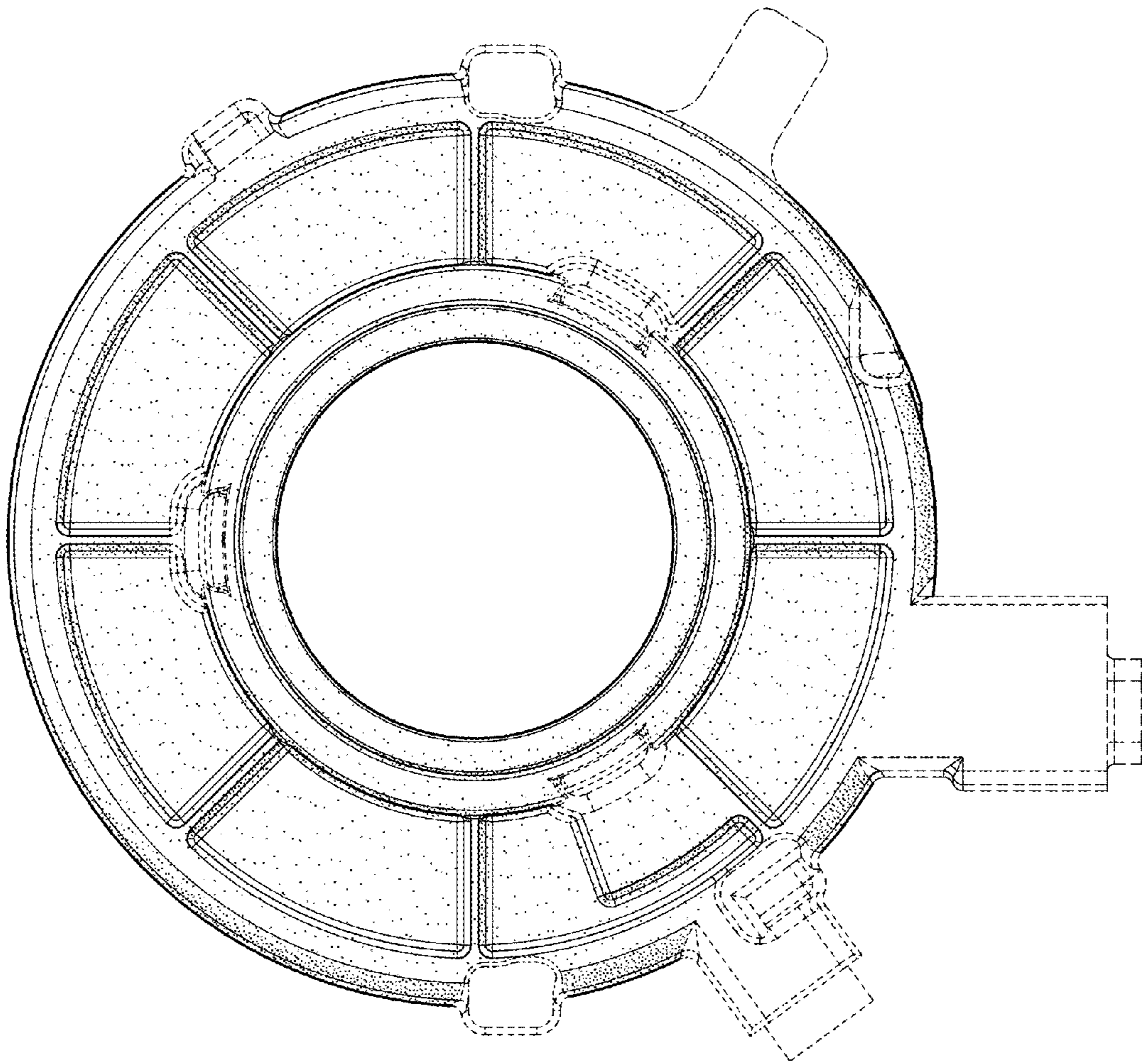




**FIG. 2**

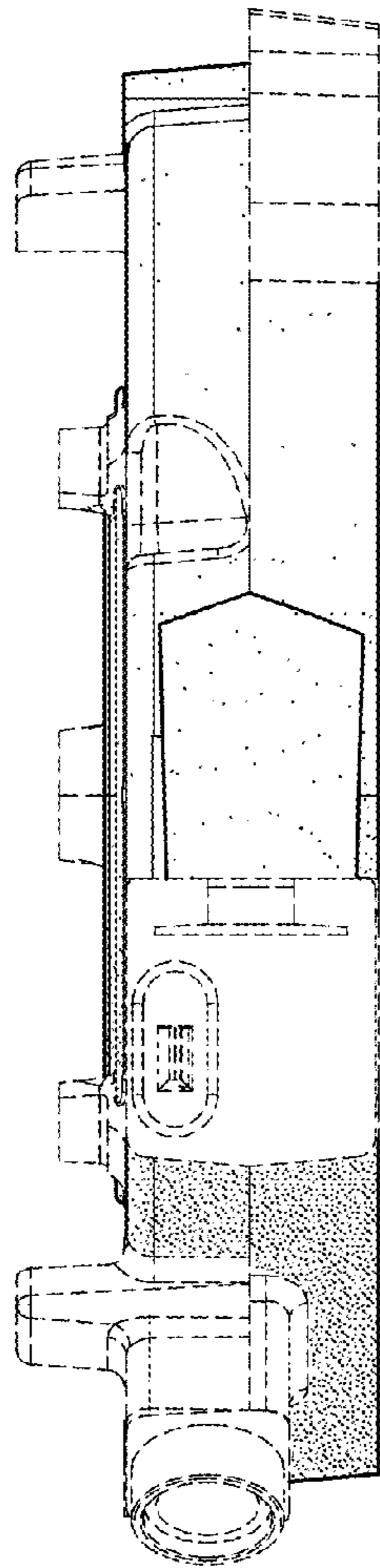


**FIG.3**

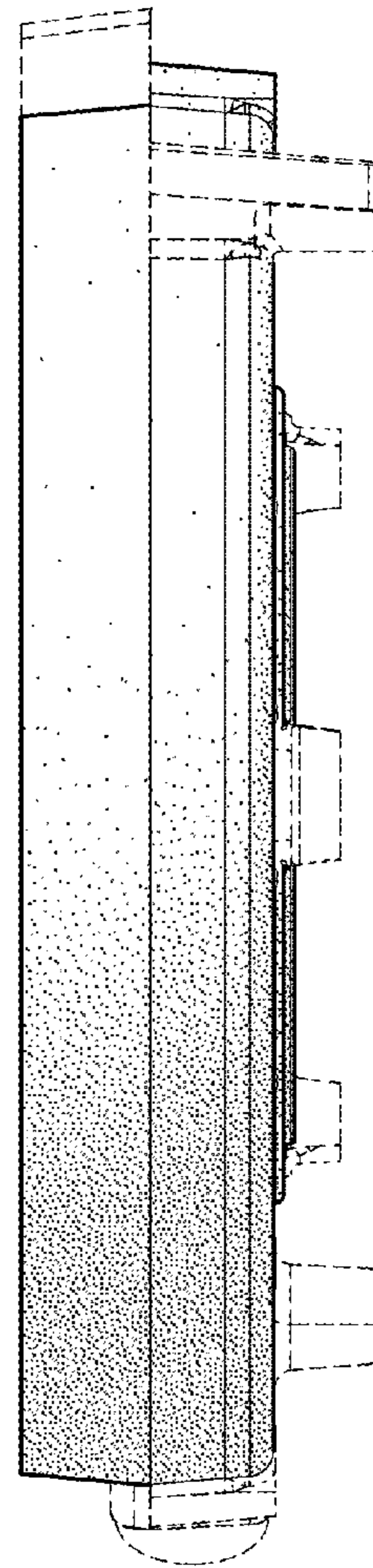


**FIG.4**

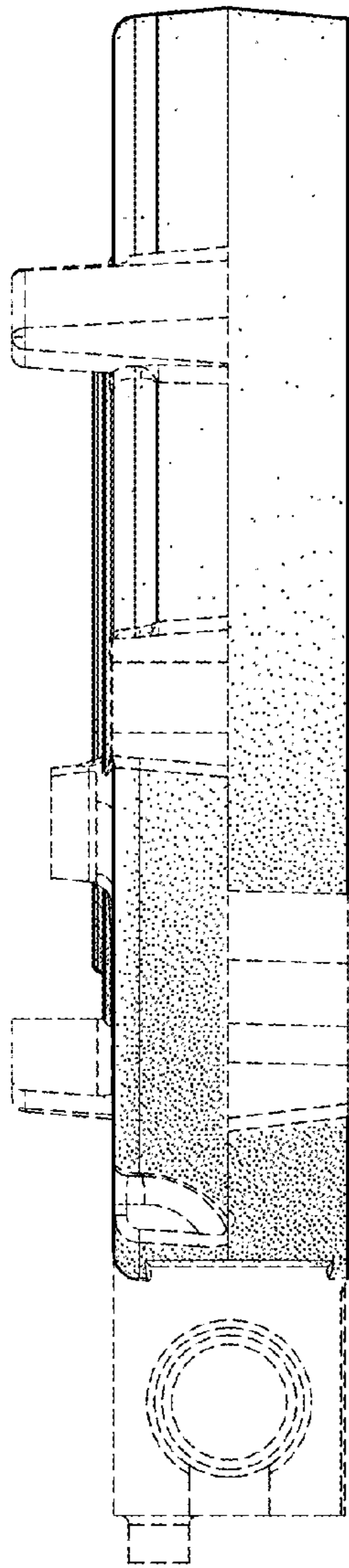




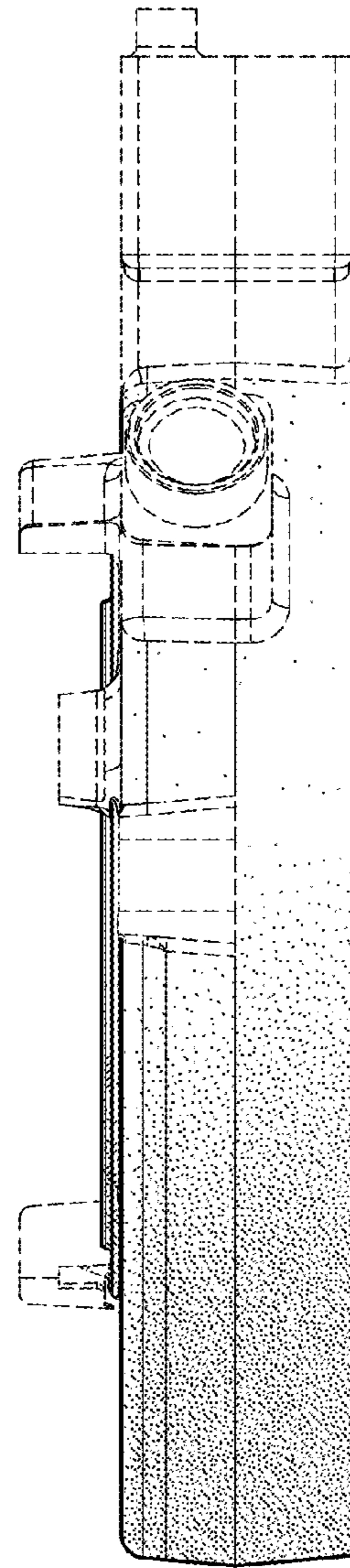
**FIG. 5**



**FIG. 6**



**FIG. 7**



**FIG. 8**