



US00D735757S

(12) **United States Design Patent**  
**Nuta et al.**

(10) **Patent No.:** **US D735,757 S**

(45) **Date of Patent:** **\*\* Aug. 4, 2015**

(54) **MARINE ENGINE**

(71) Applicant: **Yanmar Co., Ltd.**, Osaka-shi (JP)

(72) Inventors: **Yoshihiro Nuta**, Osaka (JP); **Hiroaki Miyazaki**, Osaka (JP)

(73) Assignee: **Yanmar Co., Ltd.**, Osaka (JP)

(\*\*) Term: **14 Years**

(21) Appl. No.: **29/508,459**

(22) Filed: **Nov. 6, 2014**

(30) **Foreign Application Priority Data**

May 12, 2014 (JP) ..... 2014-010104

(51) **LOC (10) Cl.** ..... **15-01**

(52) **U.S. Cl.**  
USPC ..... **D15/4; D15/1**

(58) **Field of Classification Search**  
USPC ..... D15/1-6, 149; 123/195 P; 440/3, 4,  
440/88 R, 52, 84; D12/317, 181  
See application file for complete search history.

(56) **References Cited**

**U.S. PATENT DOCUMENTS**

D199,879 S \* 12/1964 Paxson et al. .... D15/4  
4,187,678 A \* 2/1980 Herenius ..... 60/321

5,931,131 A \* 8/1999 Hackett ..... 123/90.38  
6,746,288 B2 \* 6/2004 Gokan ..... 440/88 F  
D494,191 S \* 8/2004 Aketa et al. .... D15/1  
8,388,393 B1 \* 3/2013 Eichinger et al. .... 440/89 C  
2001/0042532 A1 \* 11/2001 Aichinger et al. .... 123/192.1  
2002/0137405 A1 \* 9/2002 Kanno ..... 440/84  
2003/0003823 A1 \* 1/2003 Mashiko ..... 440/88

\* cited by examiner

*Primary Examiner* — T. Chase Nelson

*Assistant Examiner* — Ania Aman

(74) *Attorney, Agent, or Firm* — Sterne, Kessler, Goldstein & Fox P.L.L.C.

(57) **CLAIM**

The ornamental design for a marine engine, as shown and described.

**DESCRIPTION**

FIG. 1 is a perspective view of a marine engine showing our new design;

FIG. 2 is another perspective view thereof;

FIG. 3 is a top view thereof;

FIG. 4 is a front view thereof;

FIG. 5 is a right side view thereof;

FIG. 6 is a left side view thereof;

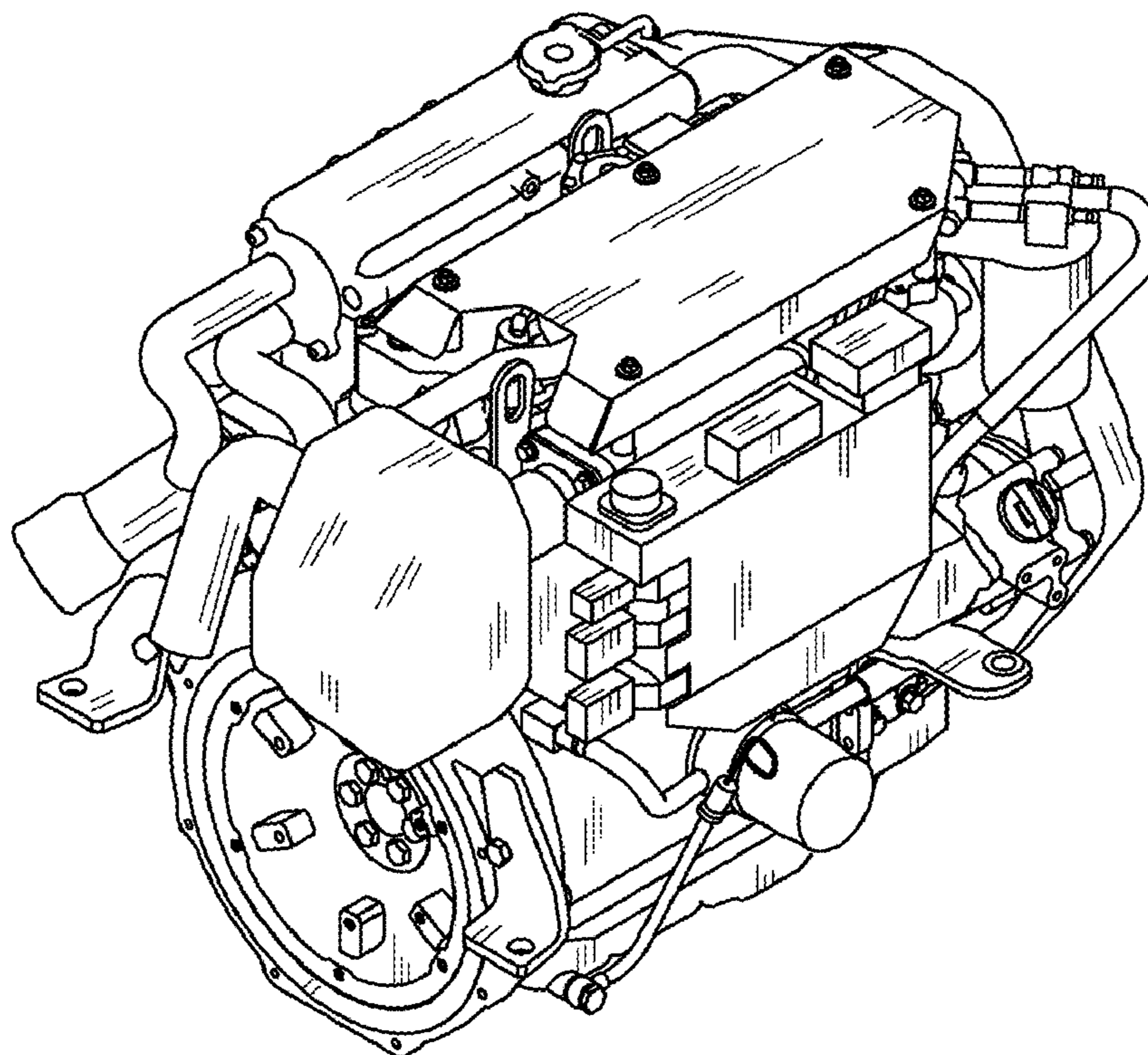
FIG. 7 is a rear view thereof; and,

FIG. 8 is a bottom view thereof.

The shading in the Figures show contour and not surface ornamentation.

The broken lines in the Figures show portions of the marine engine that form no part of the claimed design.

**1 Claim, 4 Drawing Sheets**



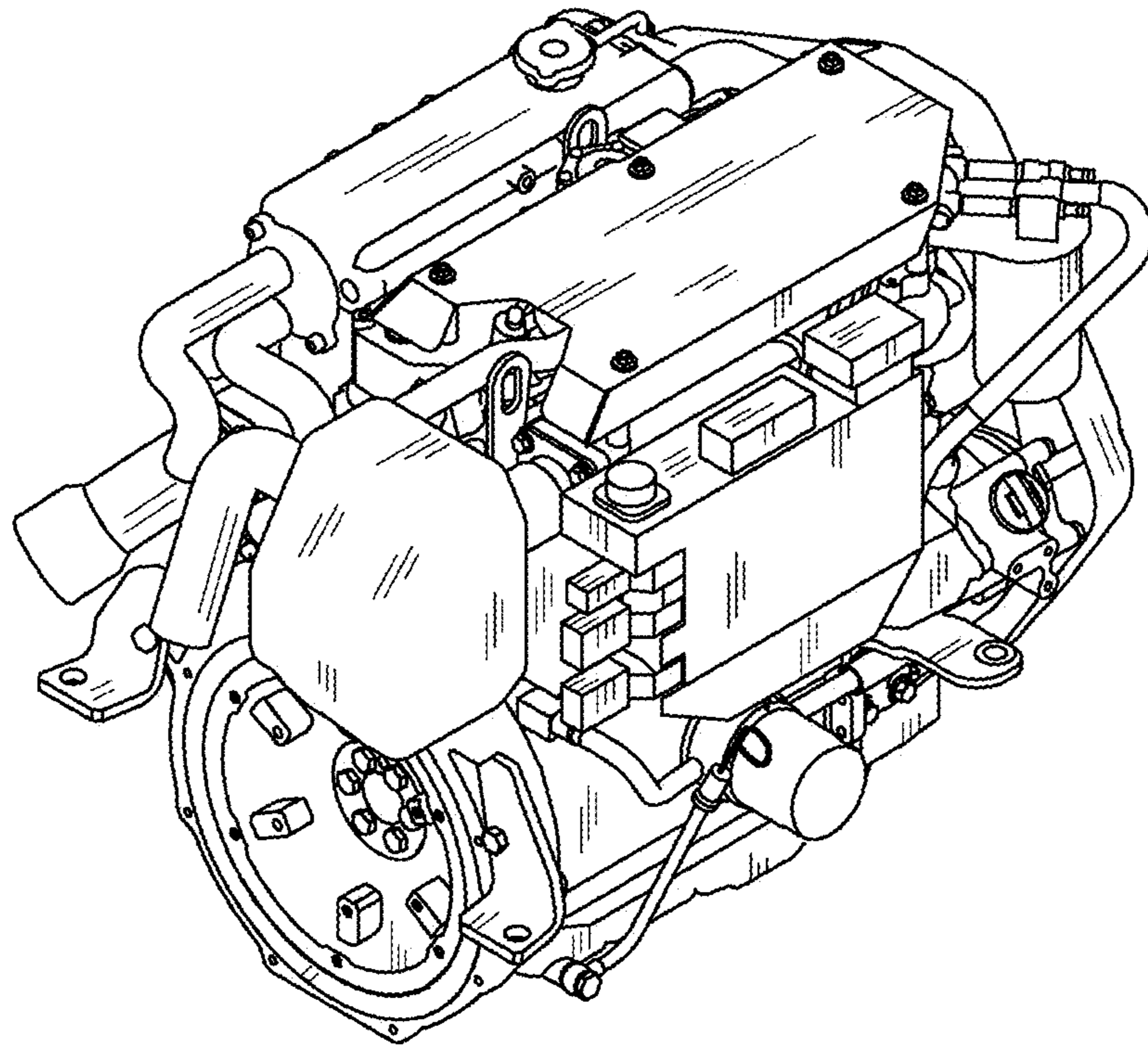


FIG. 1

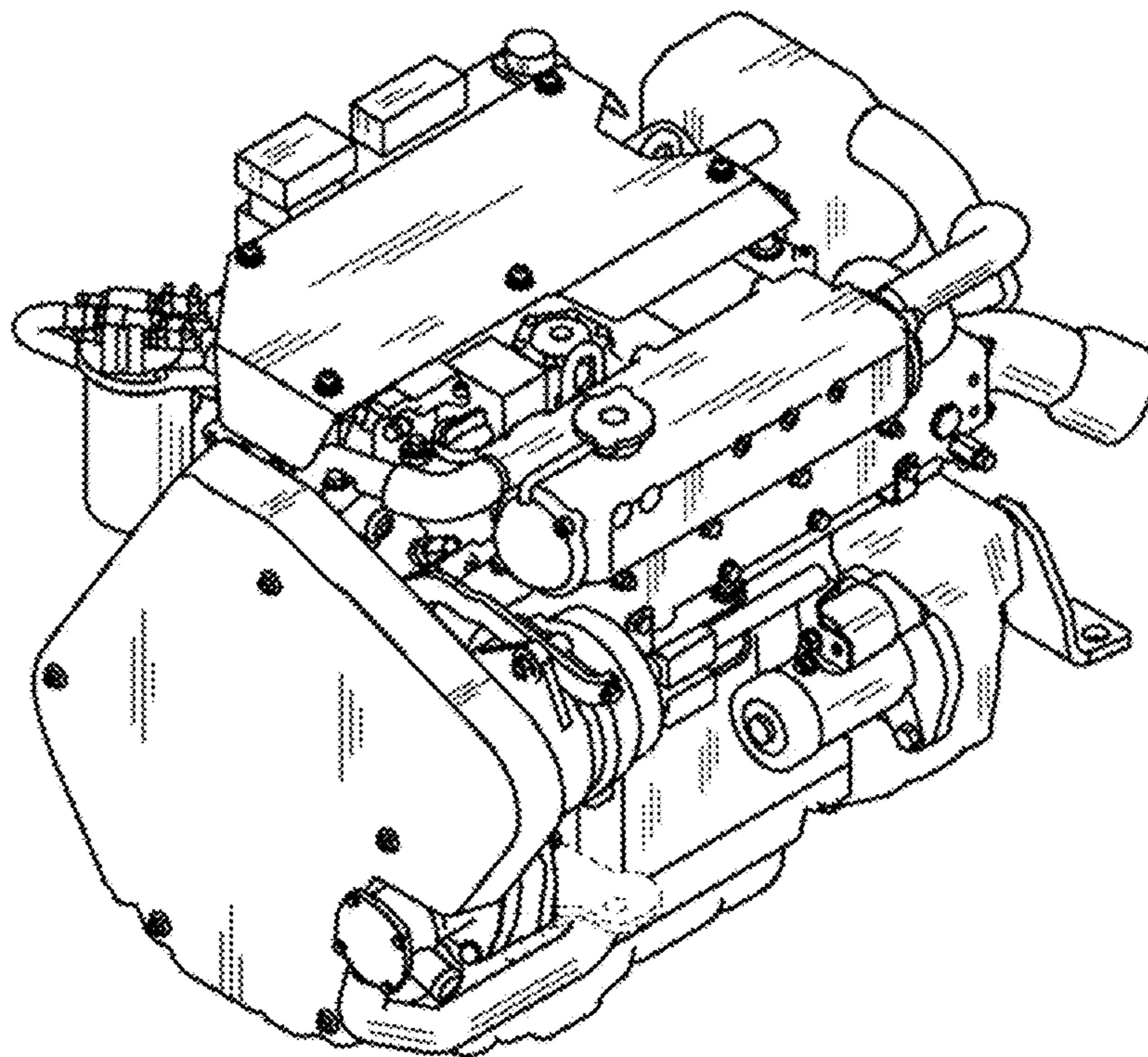


FIG. 2

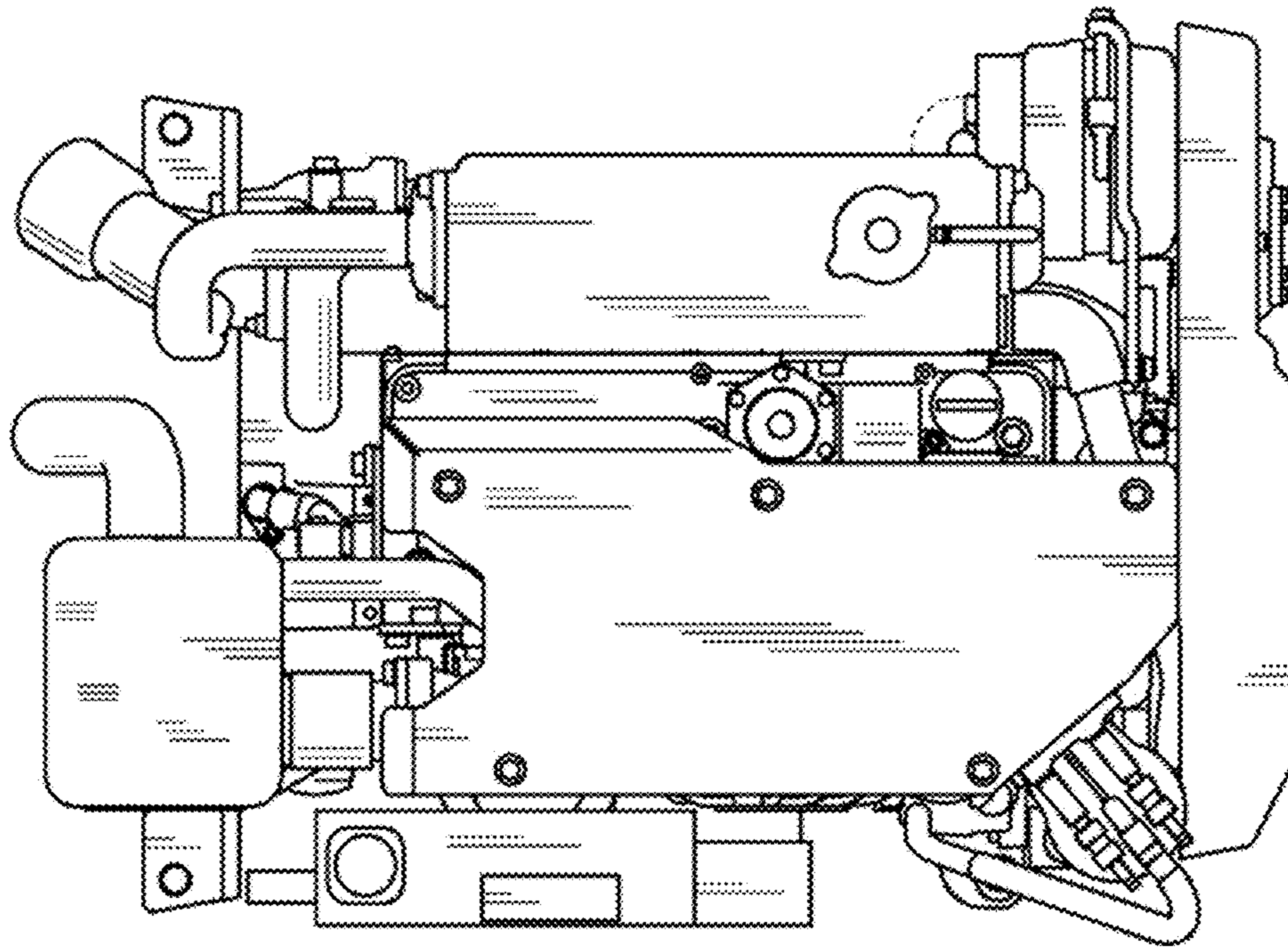


FIG. 3

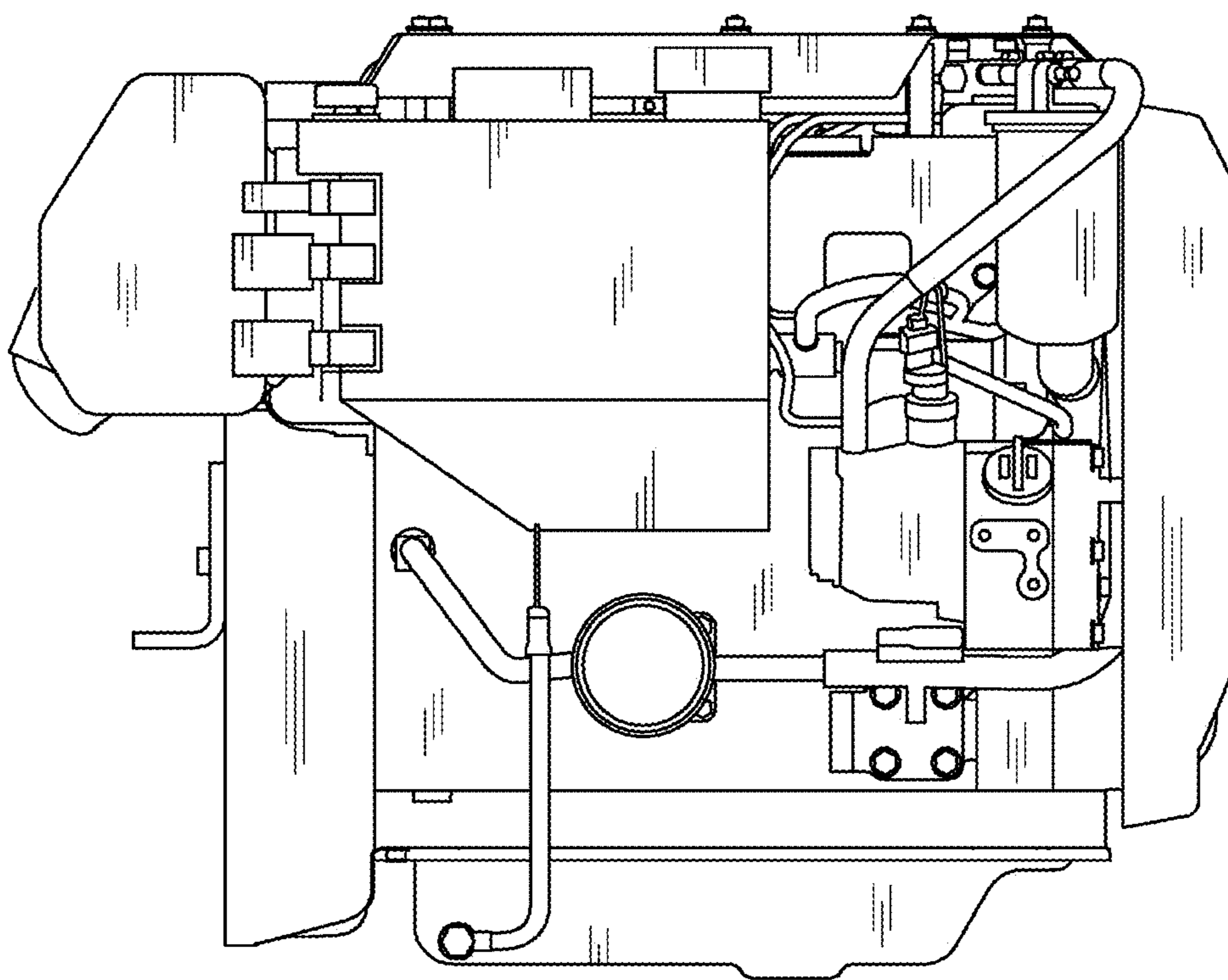


FIG. 4

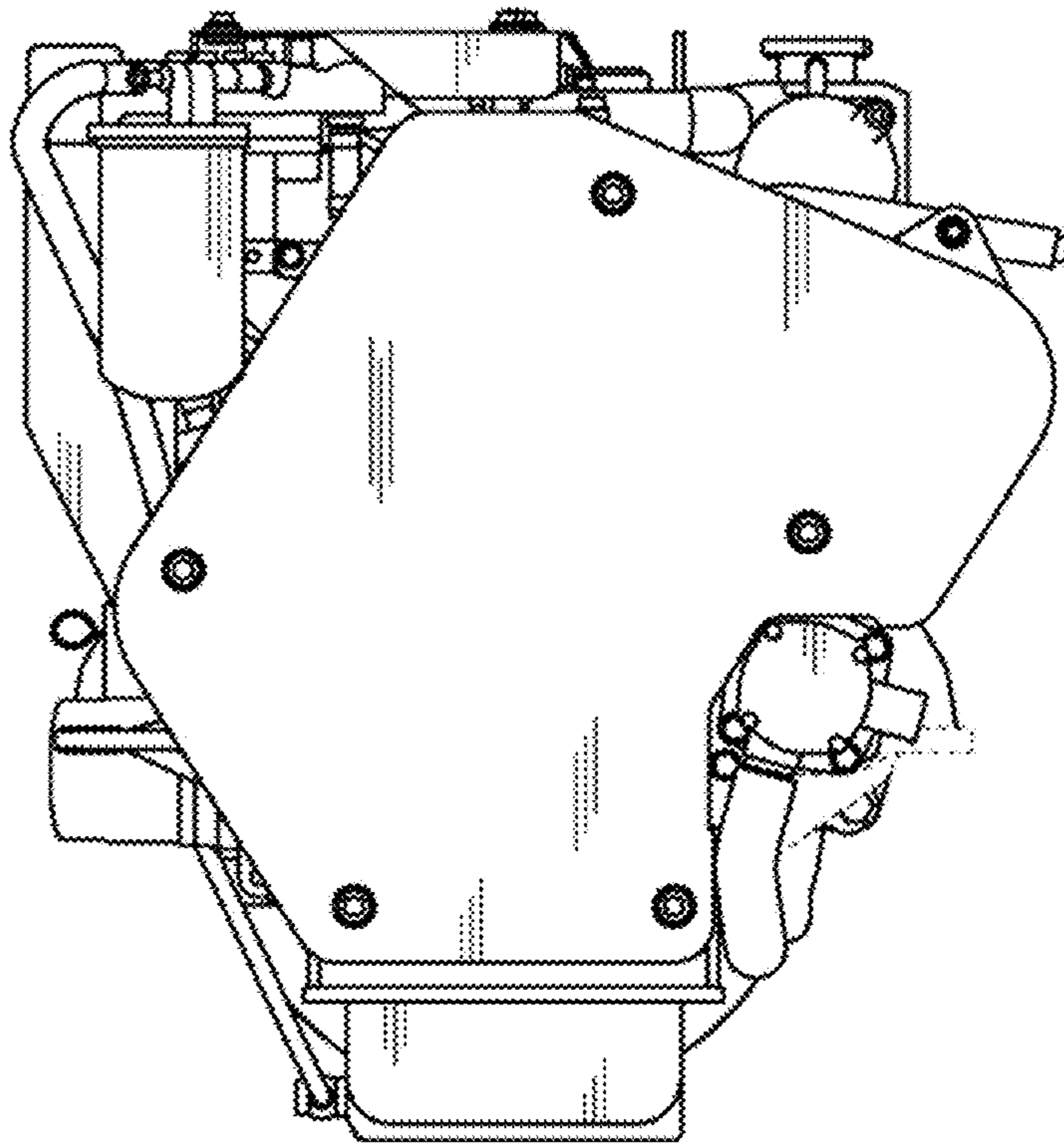


FIG. 5

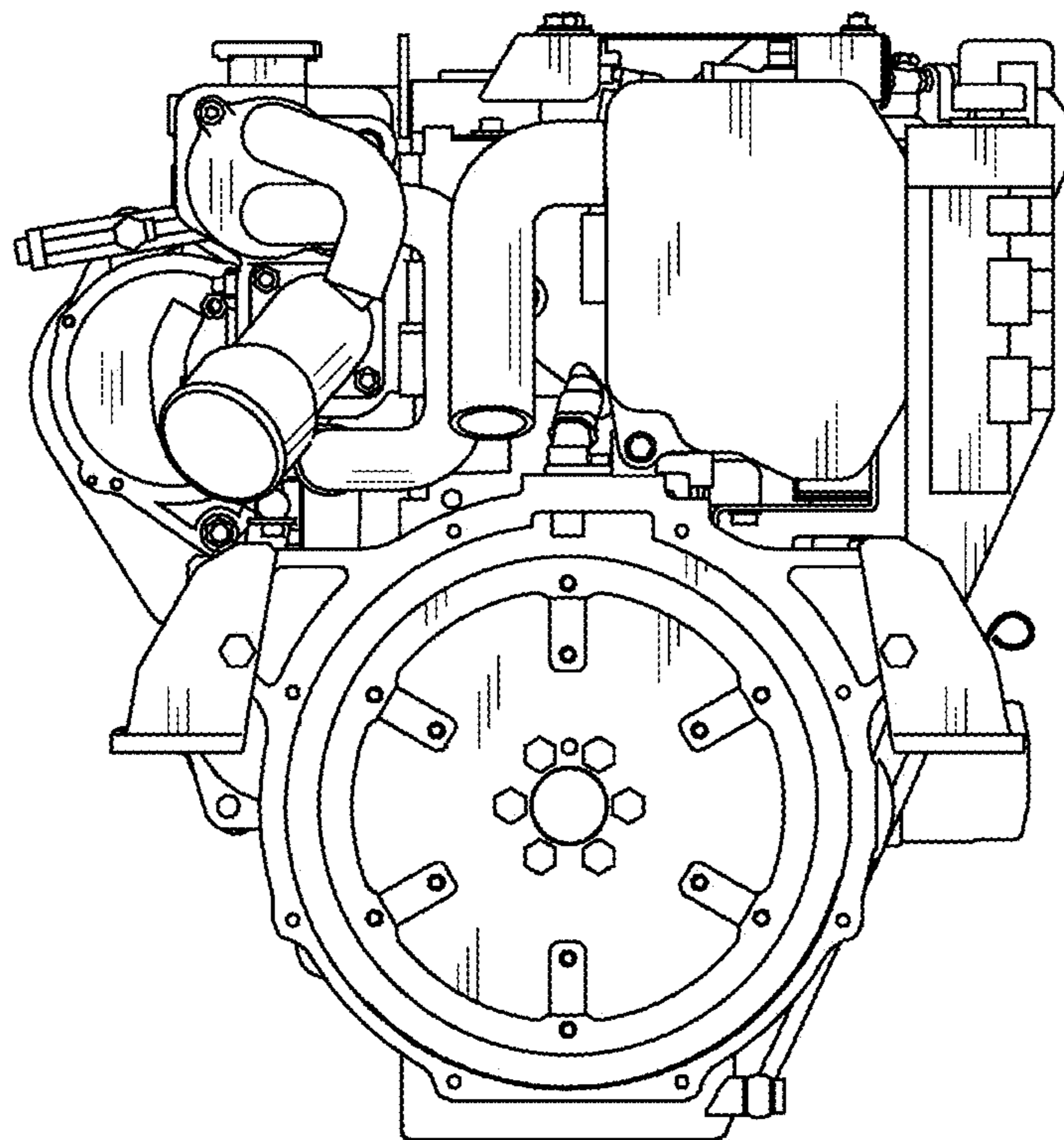


FIG. 6

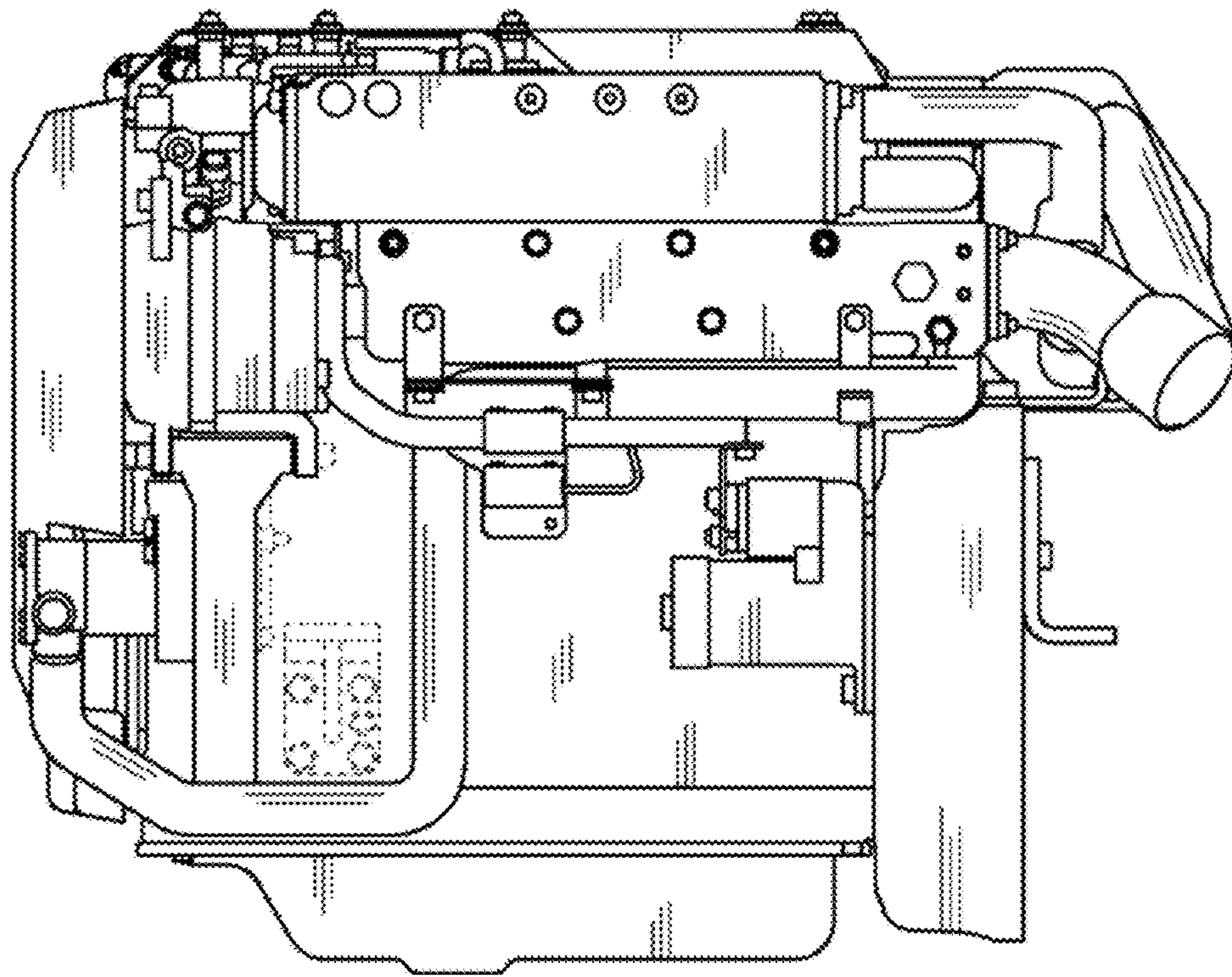


FIG. 7

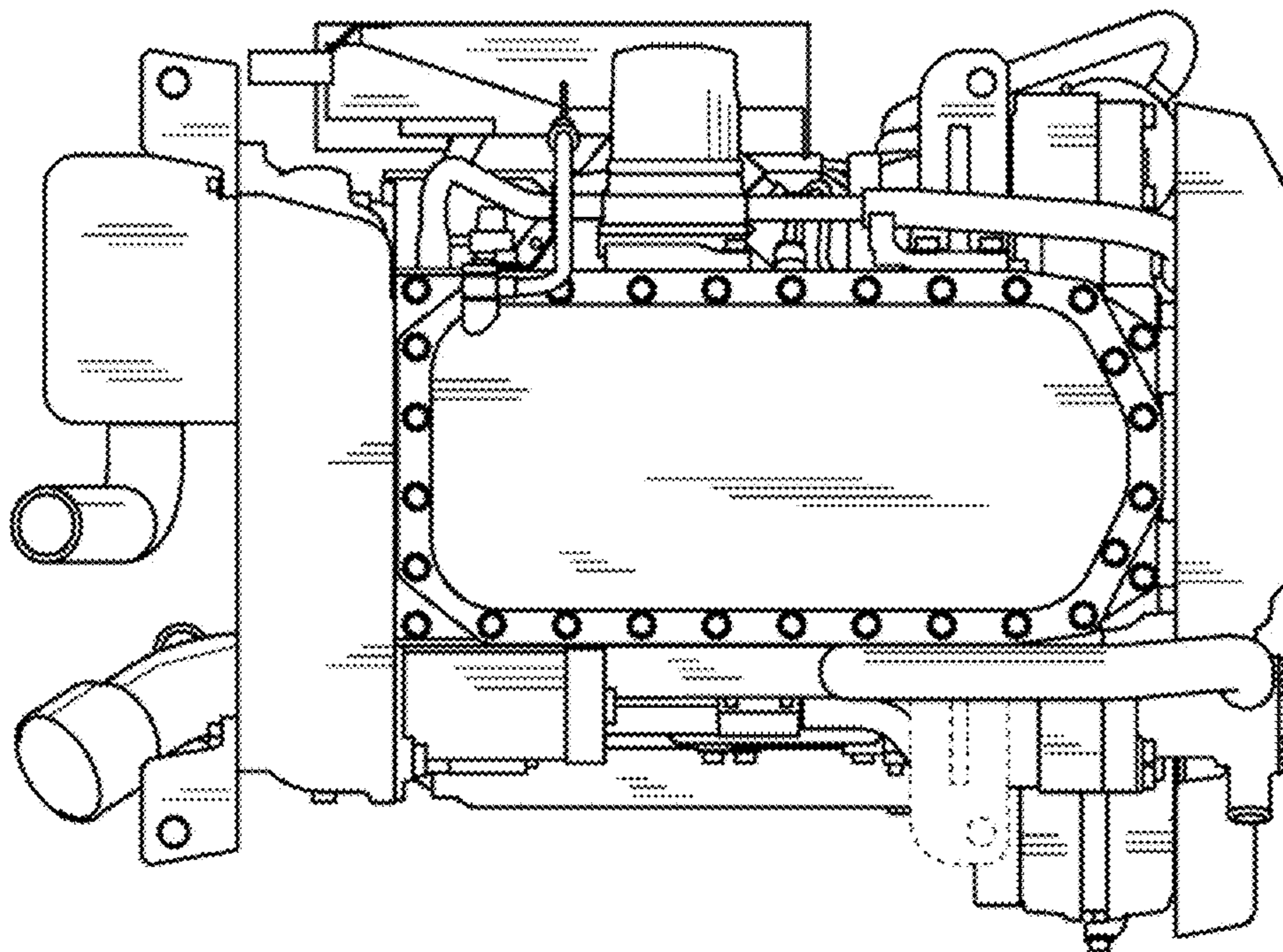


FIG. 8