



US00D735727S

(12) **United States Design Patent**
Dugger et al.

(10) **Patent No.:** **US D735,727 S**

(45) **Date of Patent:** **** Aug. 4, 2015**

(54) **TABLET STAND**

(71) Applicant: **Evolution Gaming International, LLC**,
Bessemer, AL (US)

(72) Inventors: **Jegil Wilisaac Dugger**, Helena, AL
(US); **Grace Supriya Dugger**, Helena,
AL (US)

(73) Assignees: **Jegil W Dugger**, Hoover, AL (US);
Grace Dugger, Hoover, AL (US)

(**) Term: **14 Years**

(21) Appl. No.: **29/472,540**

(22) Filed: **Nov. 13, 2013**

(51) **LOC (10) Cl.** **08-07**

(52) **U.S. Cl.**
USPC **D14/447**

(58) **Field of Classification Search**
USPC D14/447, 432, 434, 439, 440, 451, 452,
D14/457, 460, 461, 238.1, 250, 251, 253;
D3/218; D6/406.3, 406.4, 406.5,
D6/406.6, 336, 338, 349, 352, 353, 664,
D6/686; 248/444, 441.1, 188.6, 917-924;
361/679.02, 679.03, 679.04, 679.09,
361/679.21, 679.26, 679.27, 679.3, 679.55,
361/679.56

See application file for complete search history.

(56) **References Cited**

U.S. PATENT DOCUMENTS

D393,853 S * 4/1998 Maas D14/126
6,370,021 B1 4/2002 Hinzpeter et al.
D587,251 S * 2/2009 Morello D14/239
D597,975 S * 8/2009 Ohno D14/126
D600,945 S * 9/2009 Kelsen D6/449
D642,183 S * 7/2011 Chinuki et al. D14/451

D652,045 S * 1/2012 Hong D14/447
D671,110 S * 11/2012 Choi D14/253
D671,545 S 11/2012 Guran
D674,805 S 1/2013 Vincent
D687,832 S 8/2013 Edwards et al.
D691,149 S * 10/2013 Breton D14/447
2007/0138356 A1 * 6/2007 Johansson et al. 248/125.1
2009/0050773 A1 * 2/2009 McCarty 248/441.1
2012/0187257 A1 * 7/2012 Zou 248/125.8
2013/0342087 A1 * 12/2013 Guran 312/7.2

OTHER PUBLICATIONS

[iPad] enclosures by Armor Active—Stand product image retrieved
on Jan. 15, 2014 from: [http://www.ipadenclosures.com/php-oak/
framework/helpers/image.php?](http://www.ipadenclosures.com/php-oak/framework/helpers/image.php?), one page.

(Continued)

Primary Examiner — Angela J Lee

(57) **CLAIM**

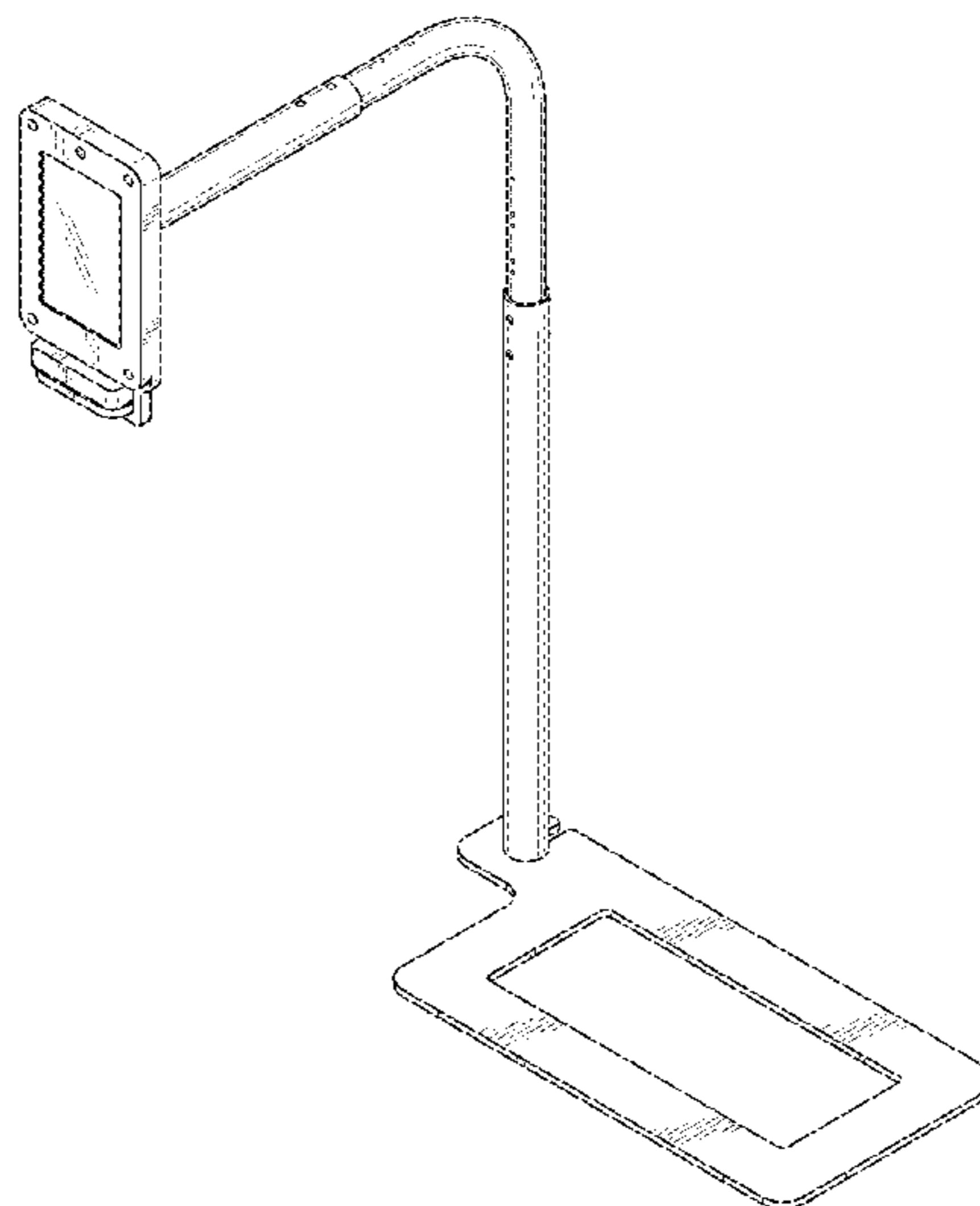
The ornamental design for a tablet stand, as shown and
described.

DESCRIPTION

FIG. 1 is a perspective view of a tablet stand of the invention.
FIG. 2 is a front view of the tablet stand of FIG. 1.
FIG. 3 is a rear view of the tablet stand of FIG. 1.
FIG. 4 is a right side view of the tablet stand of FIG. 1.
FIG. 5 is a left side view of the tablet stand of FIG. 1.
FIG. 6 is a top view of the tablet stand of FIG. 1.
FIG. 7 is a bottom view of the tablet stand of FIG. 1.
FIG. 8 is a perspective view of the tablet stand of FIG. 1
shown in an environment; and,
FIG. 9 is a front view of the tablet stand of FIG. 1 shown in an
environment.

The broken lines in the figures are for illustrative purposes
only and are not claimed as part of the design.

1 Claim, 9 Drawing Sheets



(56)

References Cited

OTHER PUBLICATIONS

[iPad] enclosures by Armor Active—Stand product image retrieved on Jan. 15, 2014 from: <http://www.ipadenclosures.com/php-oak/framework/helpers/image.php?>, single page.

[iPad] enclosures by Armor Active—Stand product retrieved on Jan. 15, 2014 from: <http://www.ipadenclosures.com/php-oak/framework/helpers/image.php?>, single page.

* cited by examiner

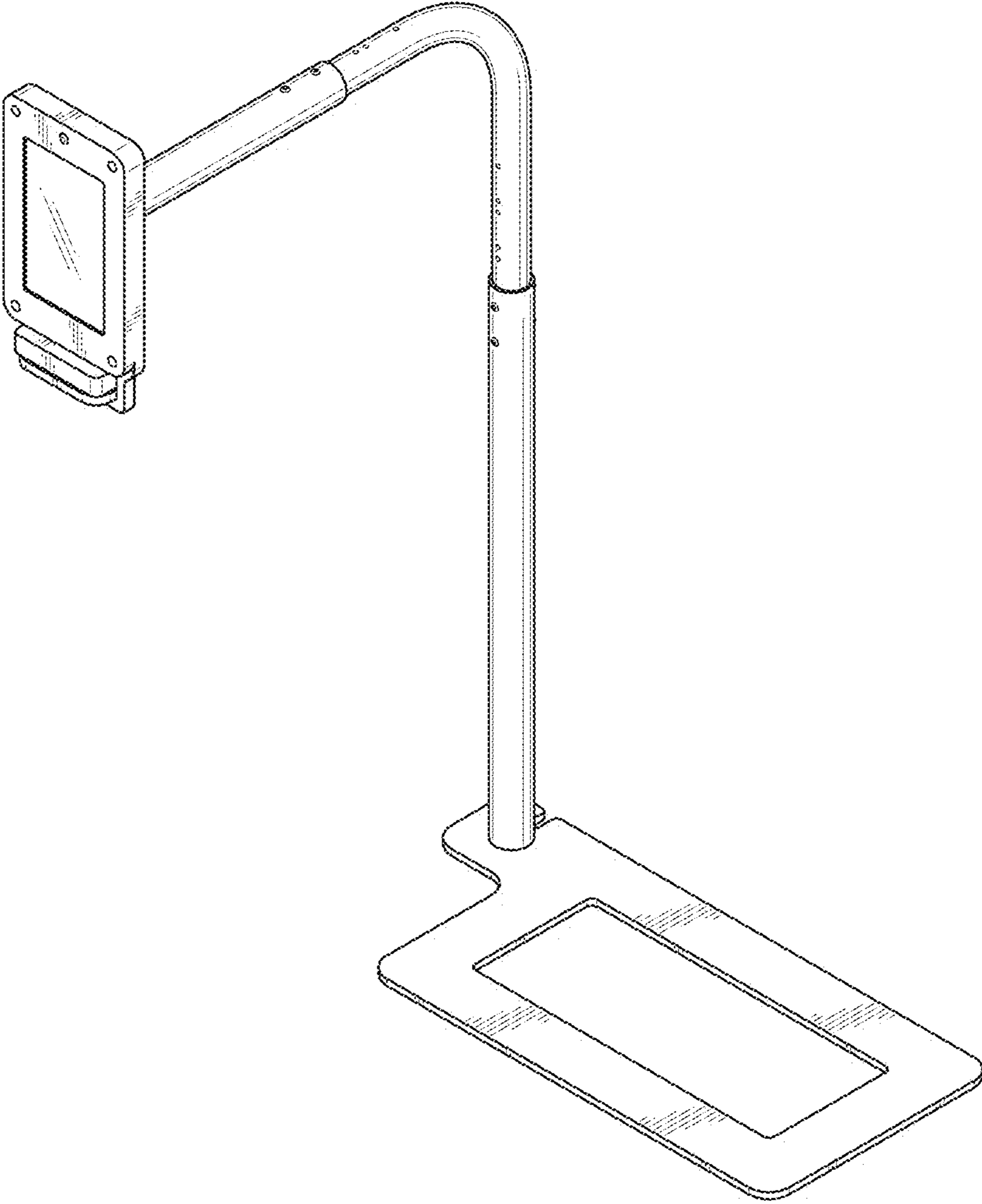


FIG. 1

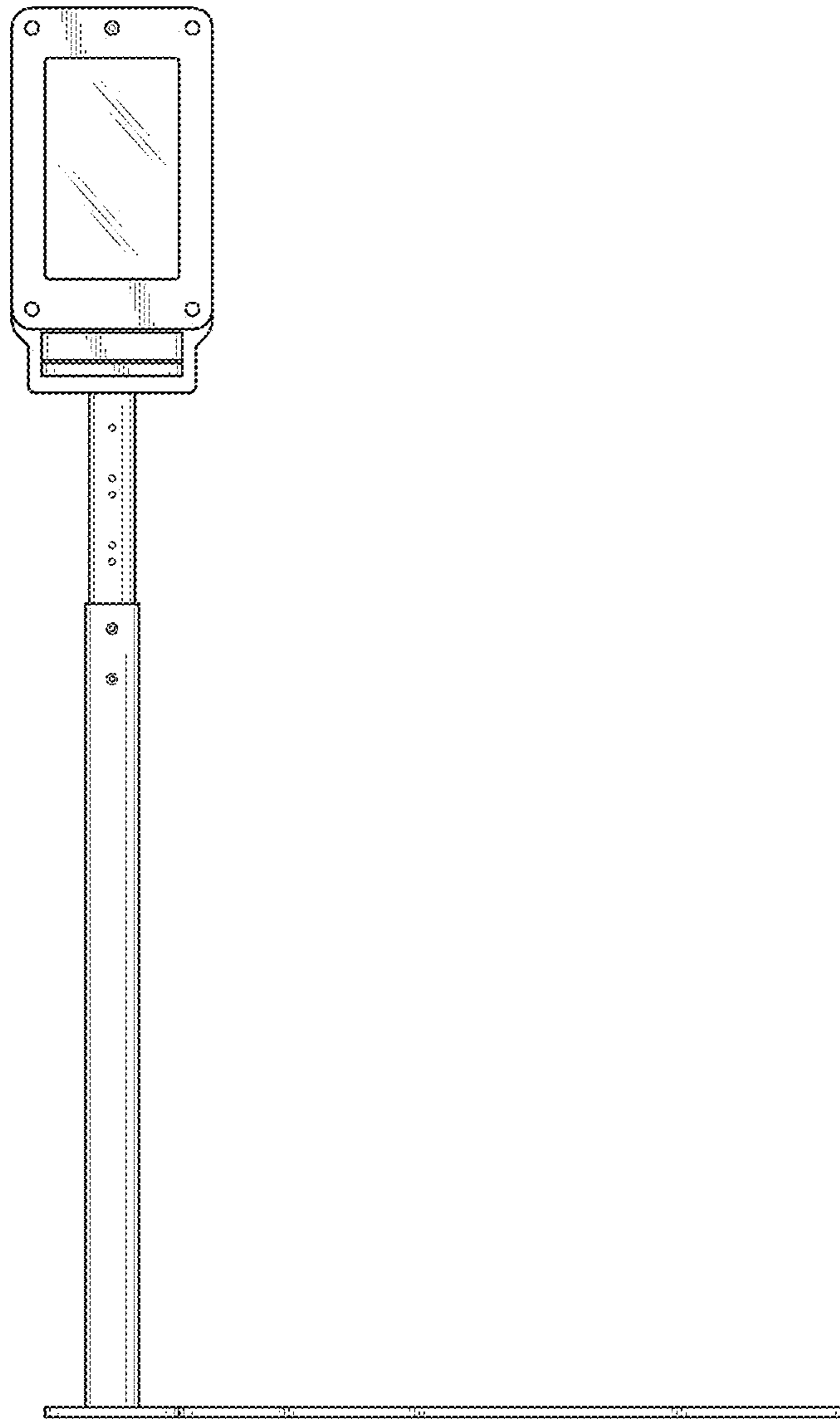


FIG. 2

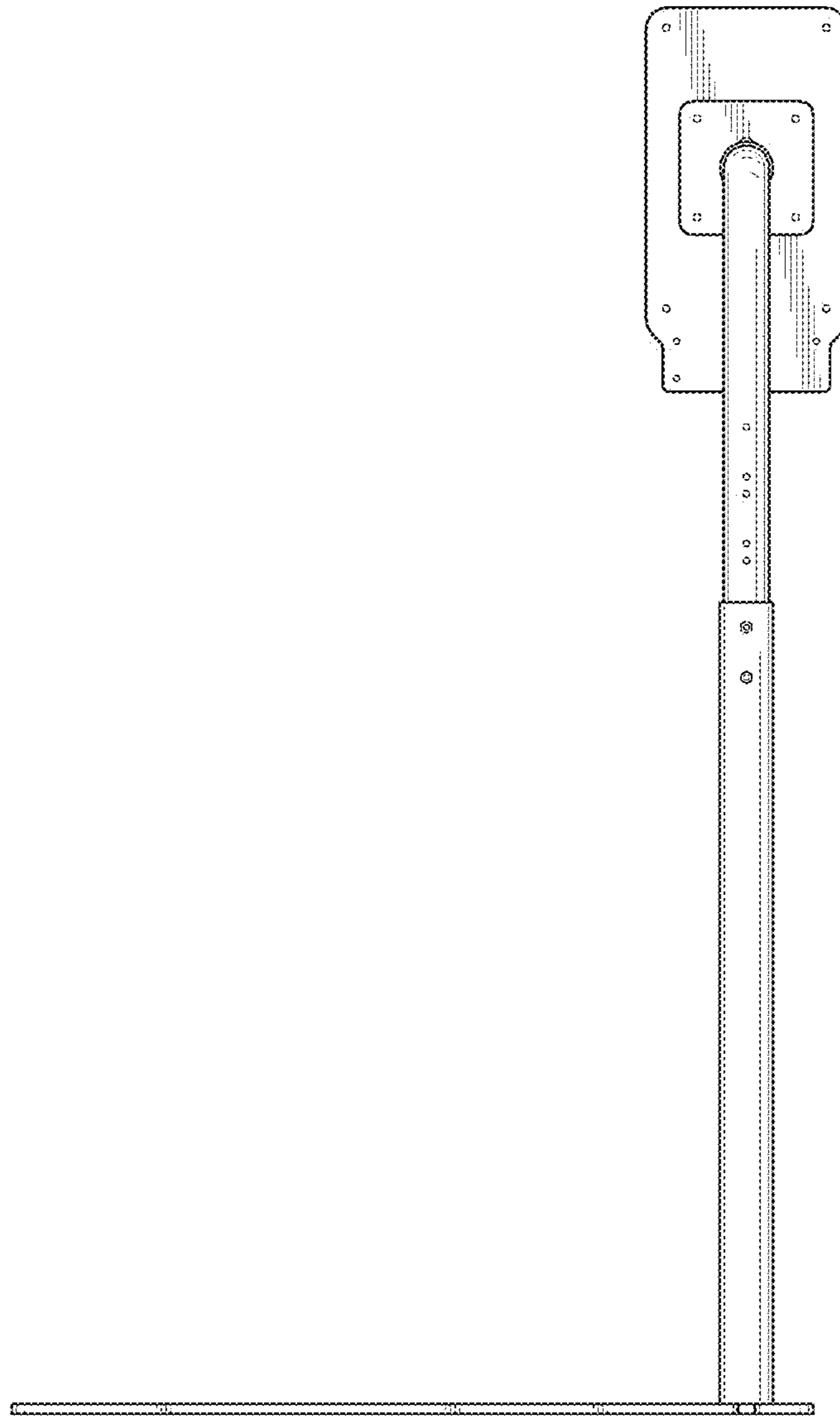


FIG. 3

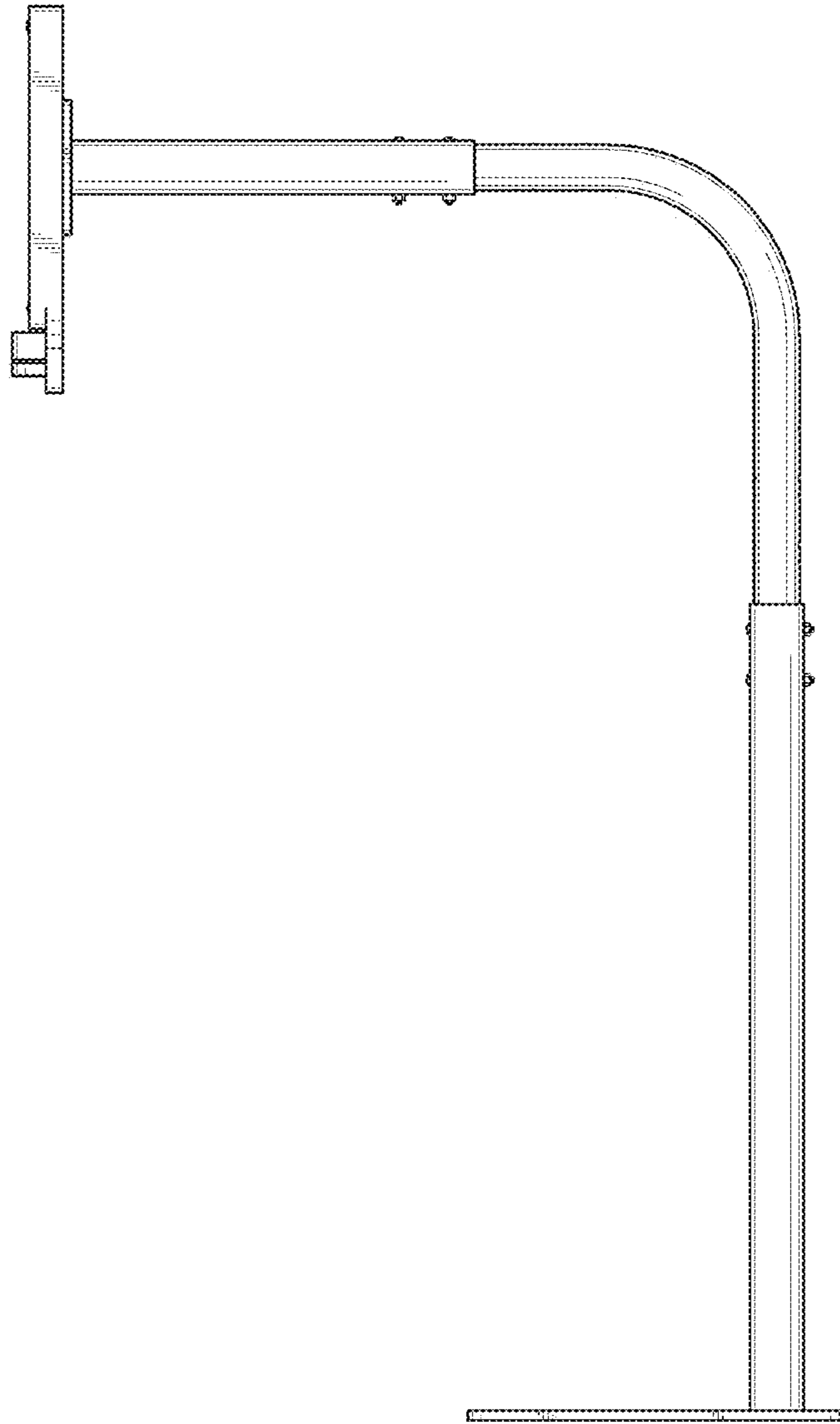


FIG. 4

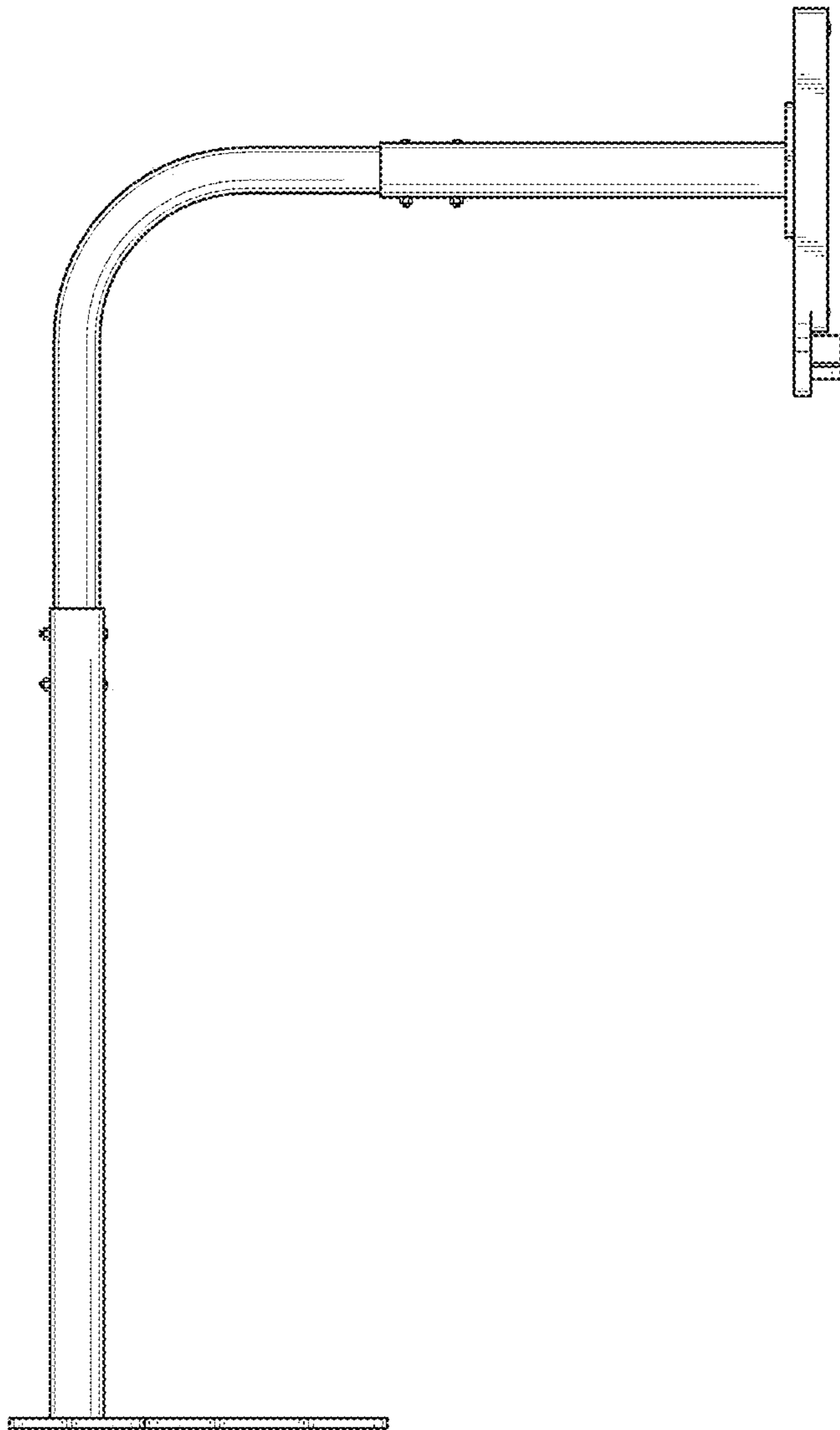


FIG. 5

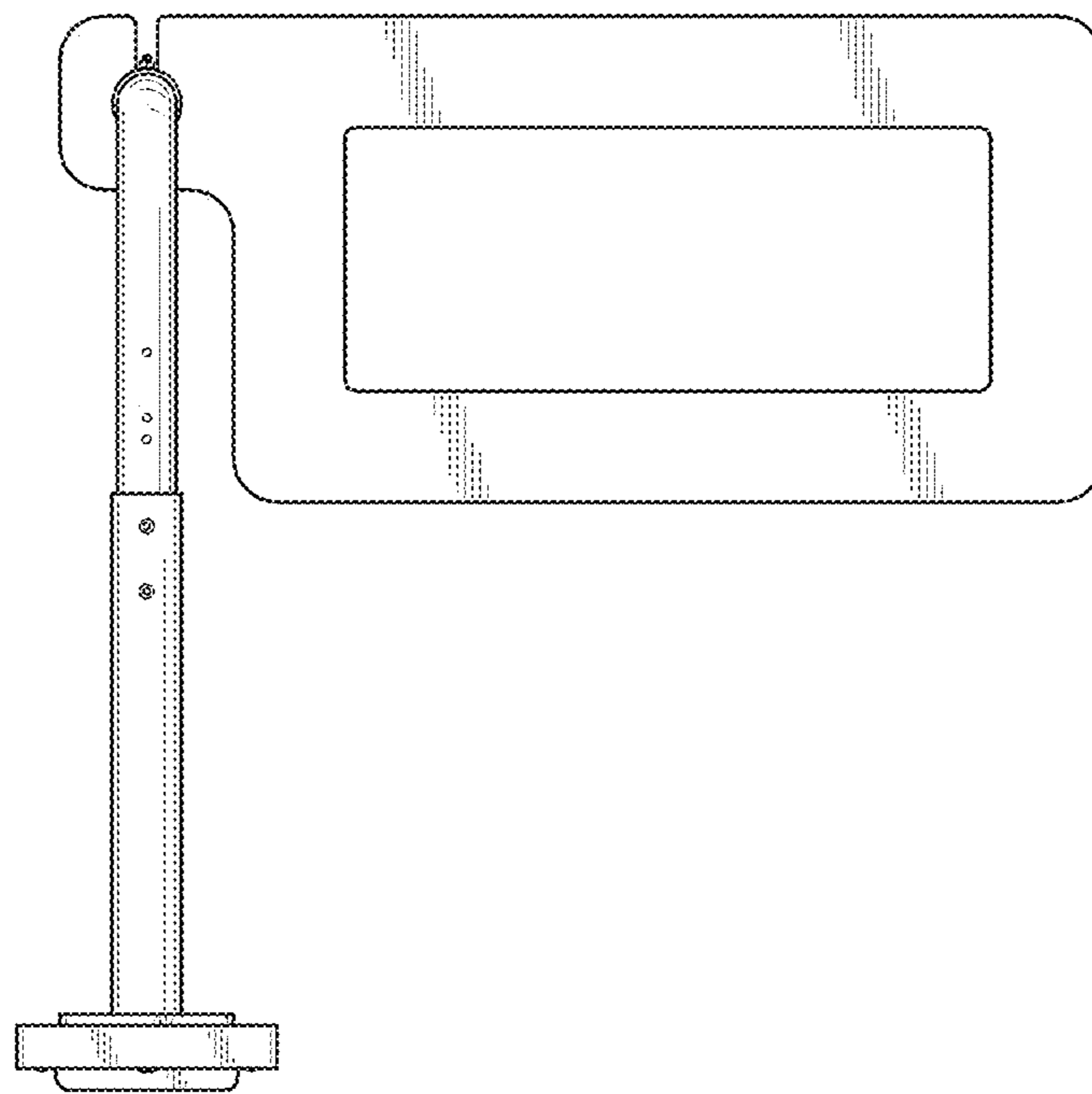


FIG. 6

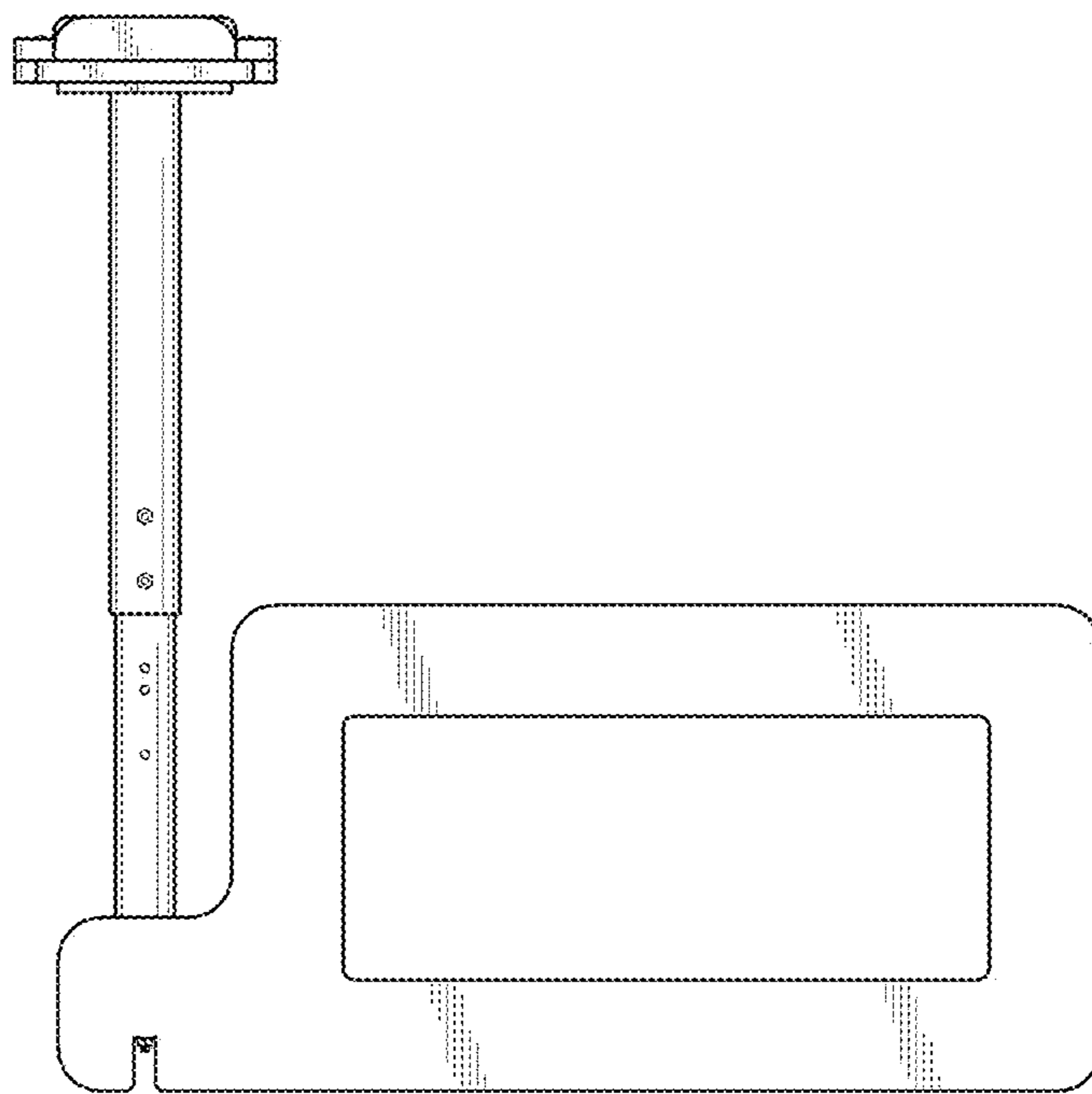


FIG. 7

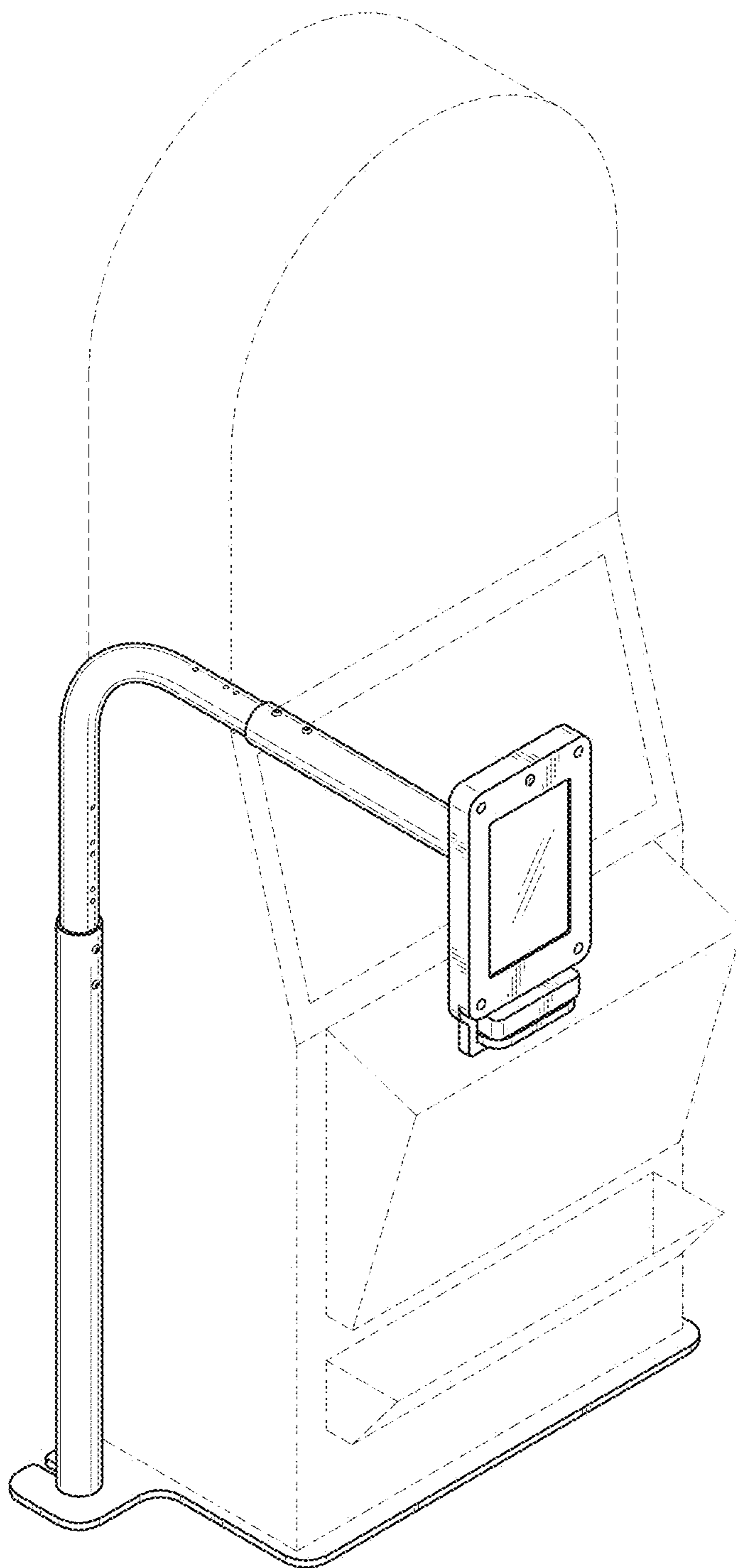


FIG. 8

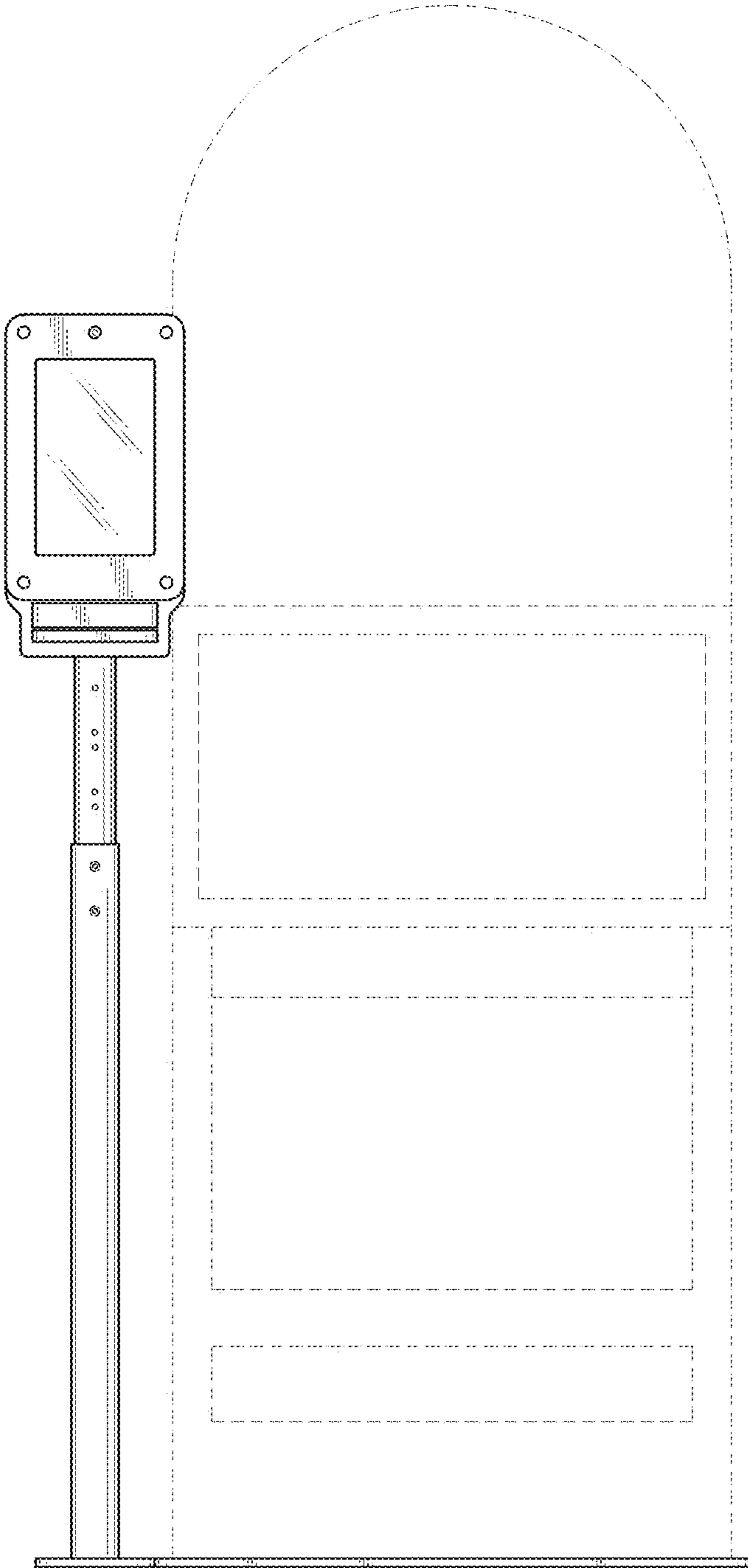


FIG. 9