



US00D735726S

(12) **United States Design Patent**  
**Chen**

(10) **Patent No.:** **US D735,726 S**

(45) **Date of Patent:** **\*\* Aug. 4, 2015**

- (54) **HARD DISK DRIVE BRACKET**
- (71) Applicant: **Inxtron, Inc.**, New Taipei (TW)
- (72) Inventor: **Szu-Tien Chen**, New Taipei (TW)
- (73) Assignee: **Inxtron, Inc.**, New Taipei (TW)
- (\*\*) Term: **14 Years**
- (21) Appl. No.: **29/517,541**
- (22) Filed: **Feb. 13, 2015**
- (51) **LOC (10) Cl.** ..... **14-02**
- (52) **U.S. Cl.**  
USPC ..... **D14/439**; D14/432
- (58) **Field of Classification Search**  
USPC ..... D14/300–302, 308–313, 314, 348,  
D14/353–355, 432, 439–446, 240;  
361/679.02, 679.31, 679.5, 690, 694,  
361/679.23, 801, 802; 312/332.1, 334.1;  
D13/162; D10/50  
CPC ..... A45C 11/00; A45C 2011/003; B60R  
11/0241; B60R 11/0252; F16M 13/00; F16M  
11/00  
See application file for complete search history.

- D483,374 S \* 12/2003 Hung ..... D14/439
- D484,508 S \* 12/2003 Crippen et al. .... D14/439
- D490,083 S \* 5/2004 Wu ..... D14/439
- 6,798,653 B2 \* 9/2004 Chen et al. .... 361/679.33
- D556,204 S \* 11/2007 Tosh et al. .... D14/439
- D588,600 S \* 3/2009 Lindner et al. .... D14/439
- D589,517 S \* 3/2009 Chien et al. .... D14/439
- 7,551,427 B1 \* 6/2009 Blaugrund et al. .... 361/679.38
- 7,597,412 B2 \* 10/2009 Chen et al. .... 312/223.2
- D625,168 S \* 10/2010 Chen ..... D8/354
- 7,952,868 B2 \* 5/2011 Chen et al. .... 361/679.58
- 8,094,446 B2 \* 1/2012 Liu ..... 361/679.33
- D683,613 S \* 6/2013 Abdul-Hadi et al. .... D8/354
- 8,544,801 B2 \* 10/2013 Ting ..... 248/27.3
- 8,780,545 B2 \* 7/2014 Chen et al. .... 361/679.37
- D727,906 S \* 4/2015 Neumann ..... D14/433

\* cited by examiner

*Primary Examiner* — Austin Murphy

(74) *Attorney, Agent, or Firm* — SmithAmundsen LLC;  
Kelly J. Smith; Stephen L. Farris

(57) **CLAIM**

The ornamental design for a hard disk drive bracket, as shown and described.

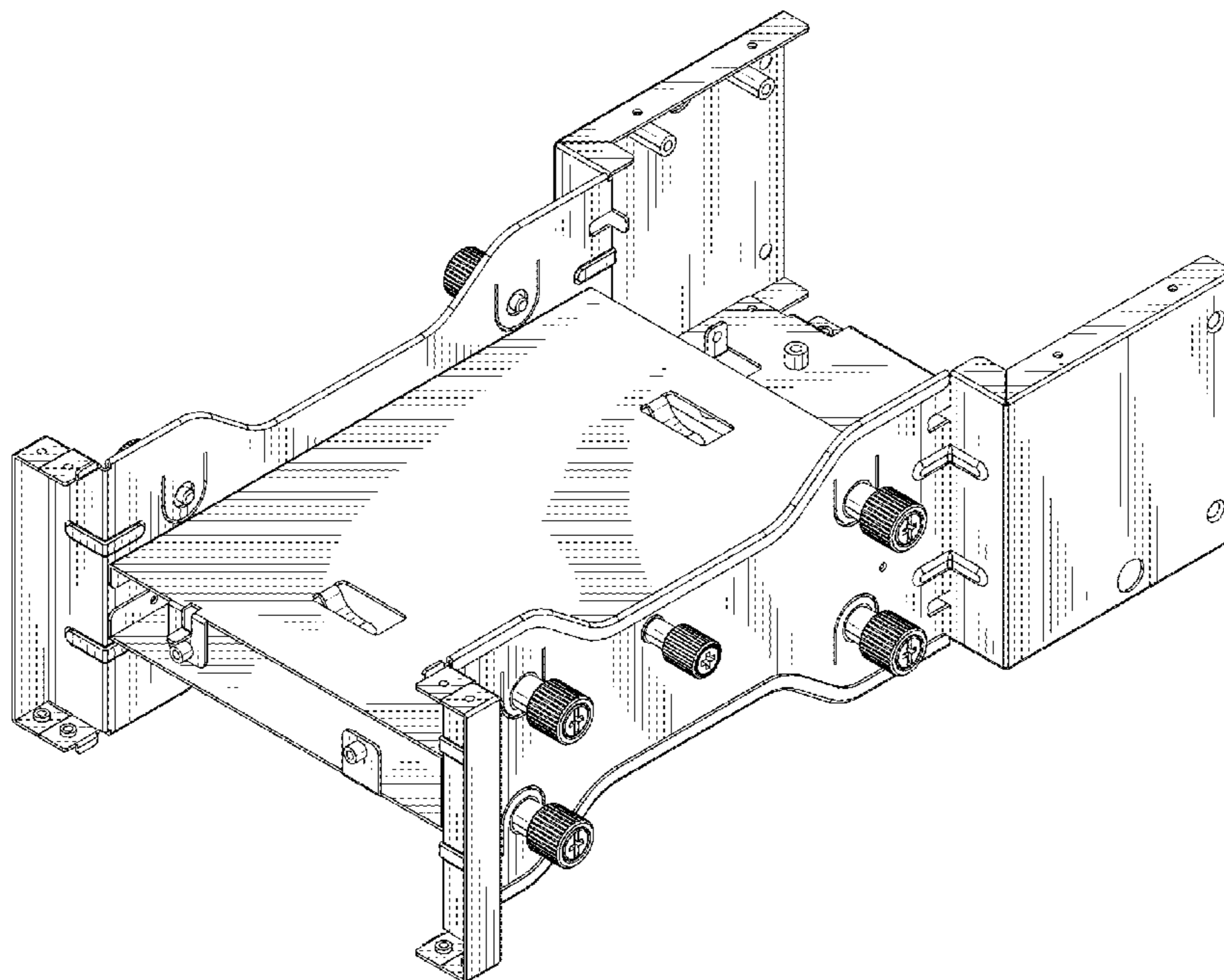
**DESCRIPTION**

FIG. 1 is a perspective view of the hard disk drive bracket showing my new design;  
 FIG. 2 is a front elevational view thereof;  
 FIG. 3 is a rear elevational view thereof;  
 FIG. 4 is a left side elevational view thereof;  
 FIG. 5 is a right side elevational view thereof;  
 FIG. 6 is a top plan view thereof;  
 FIG. 7 is a bottom plan view thereof; and,  
 FIG. 8 is another perspective view thereof.

**1 Claim, 6 Drawing Sheets**

(56) **References Cited**  
U.S. PATENT DOCUMENTS

- 5,564,804 A \* 10/1996 Gonzalez et al. .... 312/223.2
- D391,938 S \* 3/1998 D'Agaro et al. .... D14/439
- D421,428 S \* 3/2000 Wu ..... D14/439
- D424,035 S \* 5/2000 Steiner et al. .... D14/439
- 6,218,615 B1 \* 4/2001 Canonico ..... 174/50
- 6,452,792 B1 \* 9/2002 Chen ..... 361/679.35
- 6,478,390 B2 \* 11/2002 Gan ..... 312/223.2



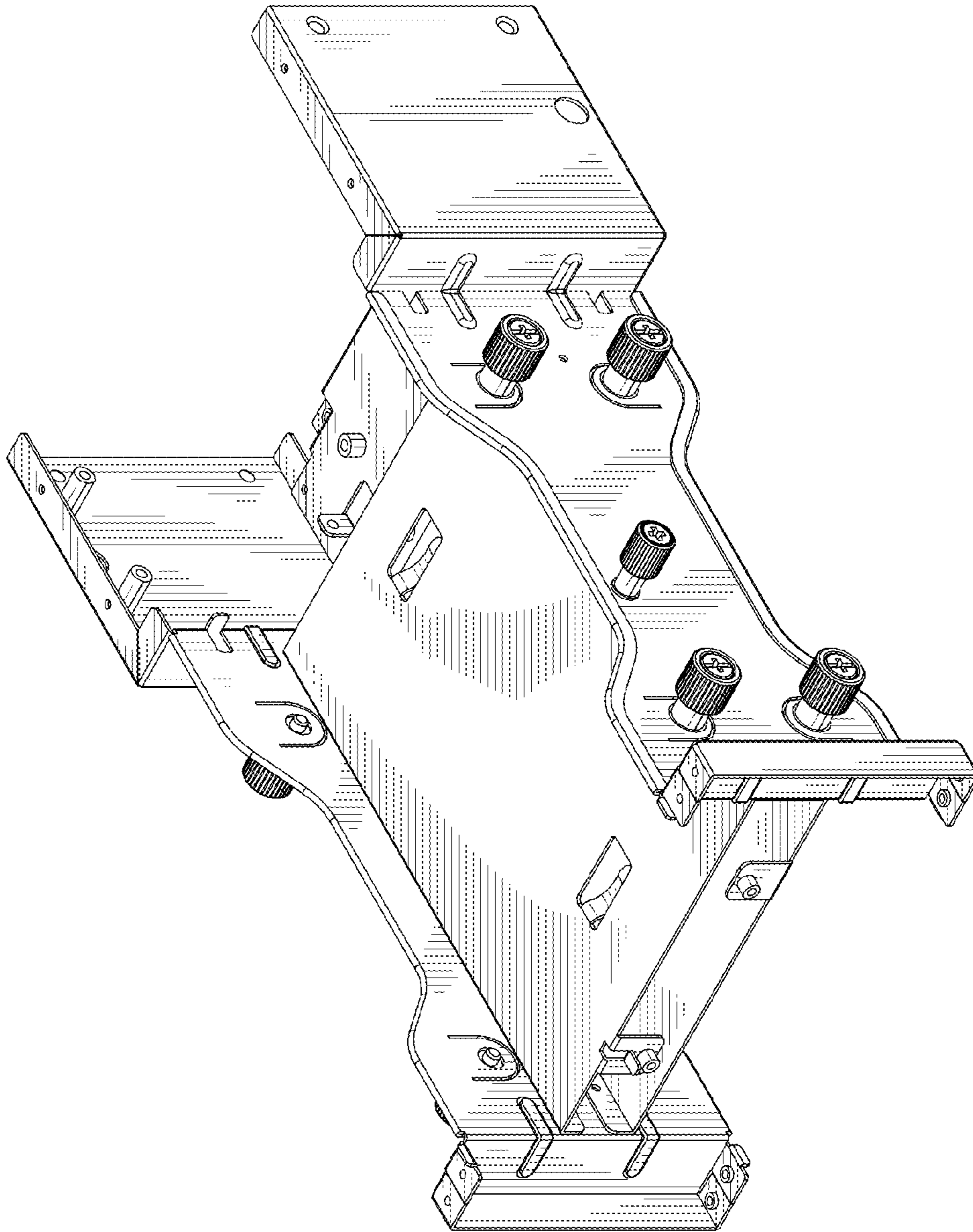


FIG. 1

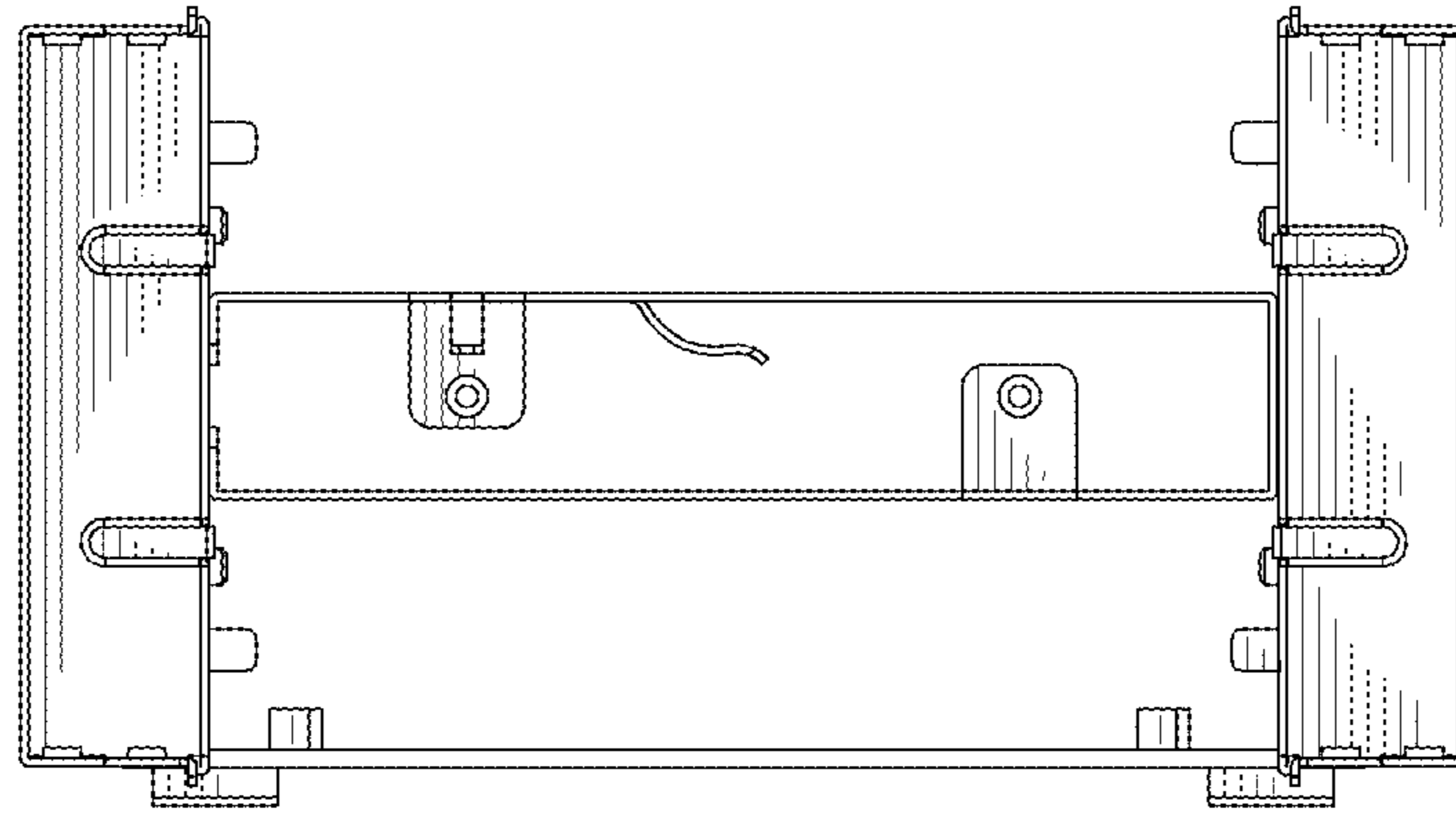


FIG. 2

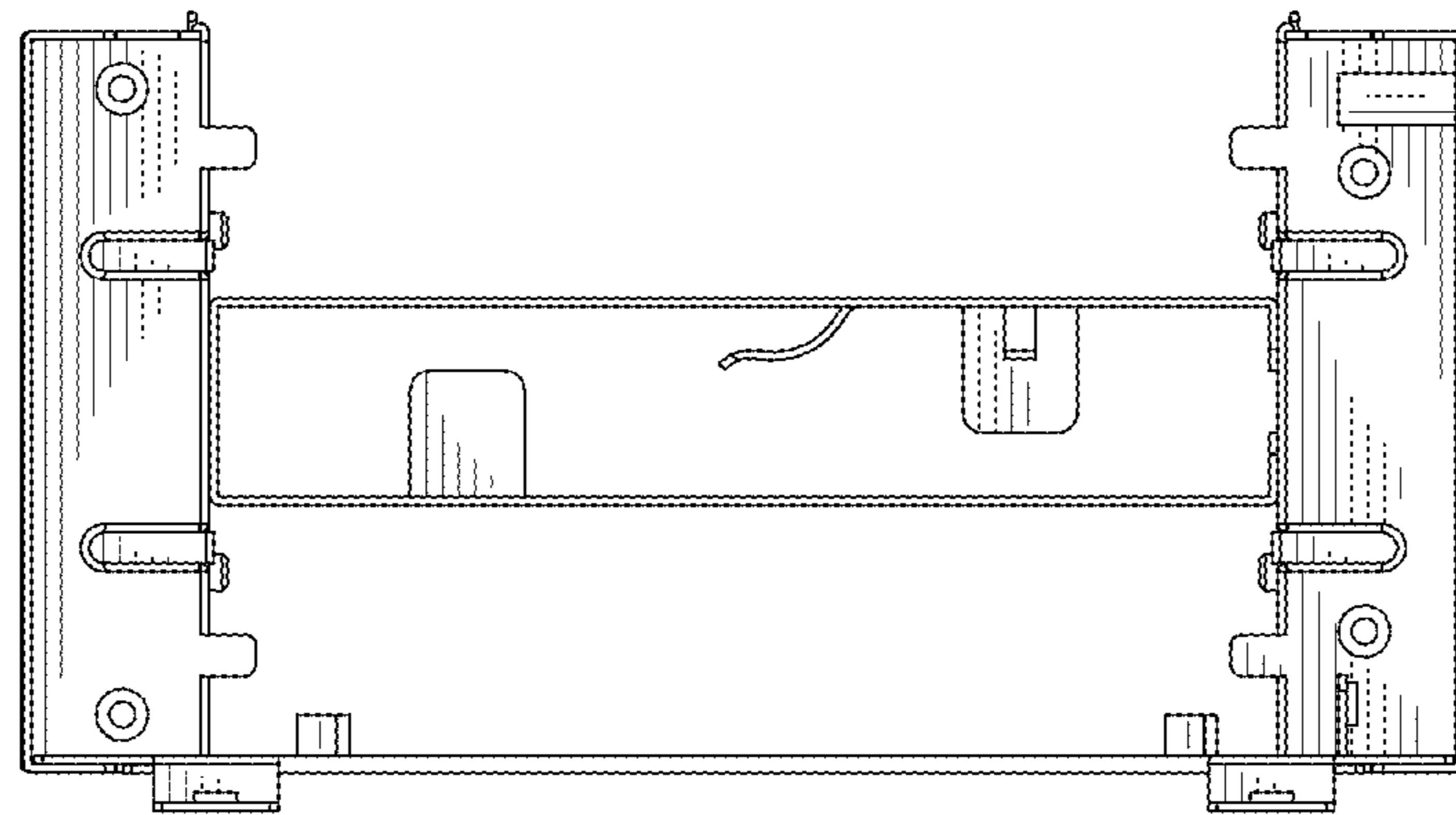


FIG. 3

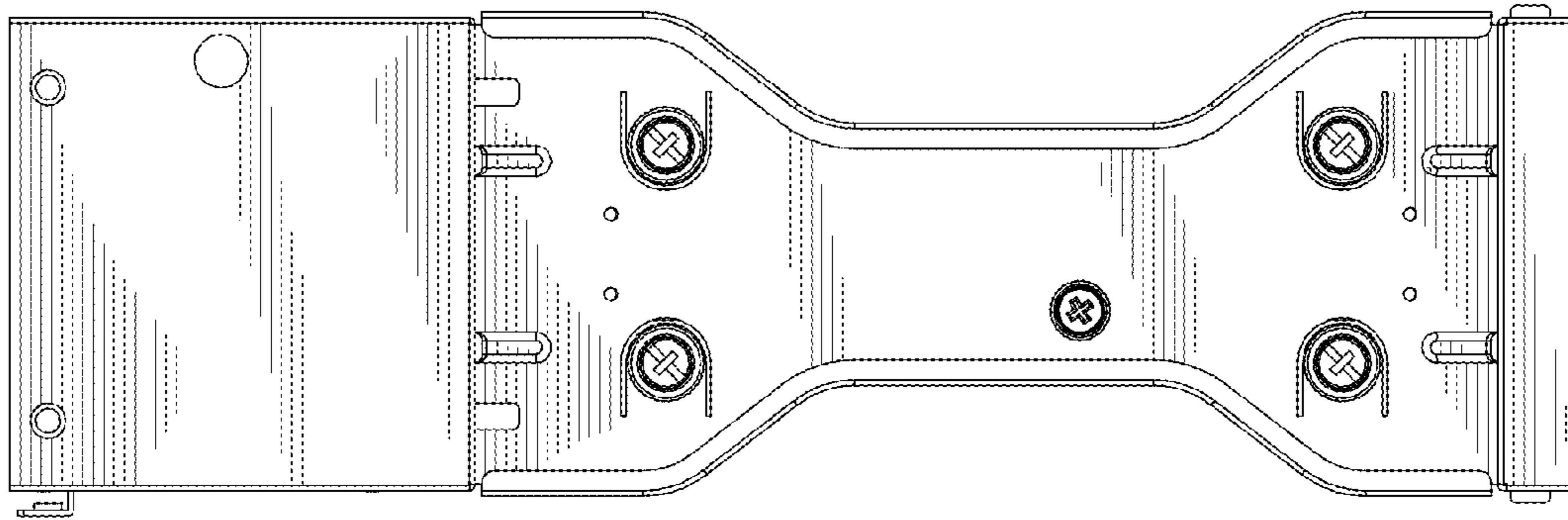


FIG. 4

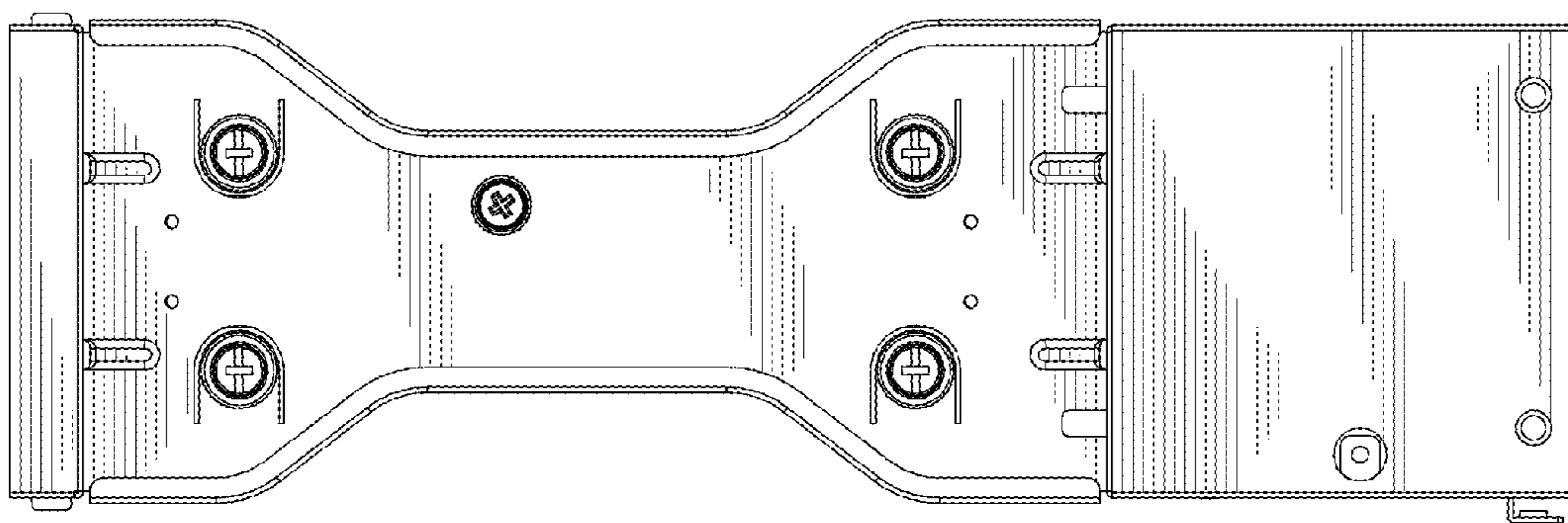


FIG. 5

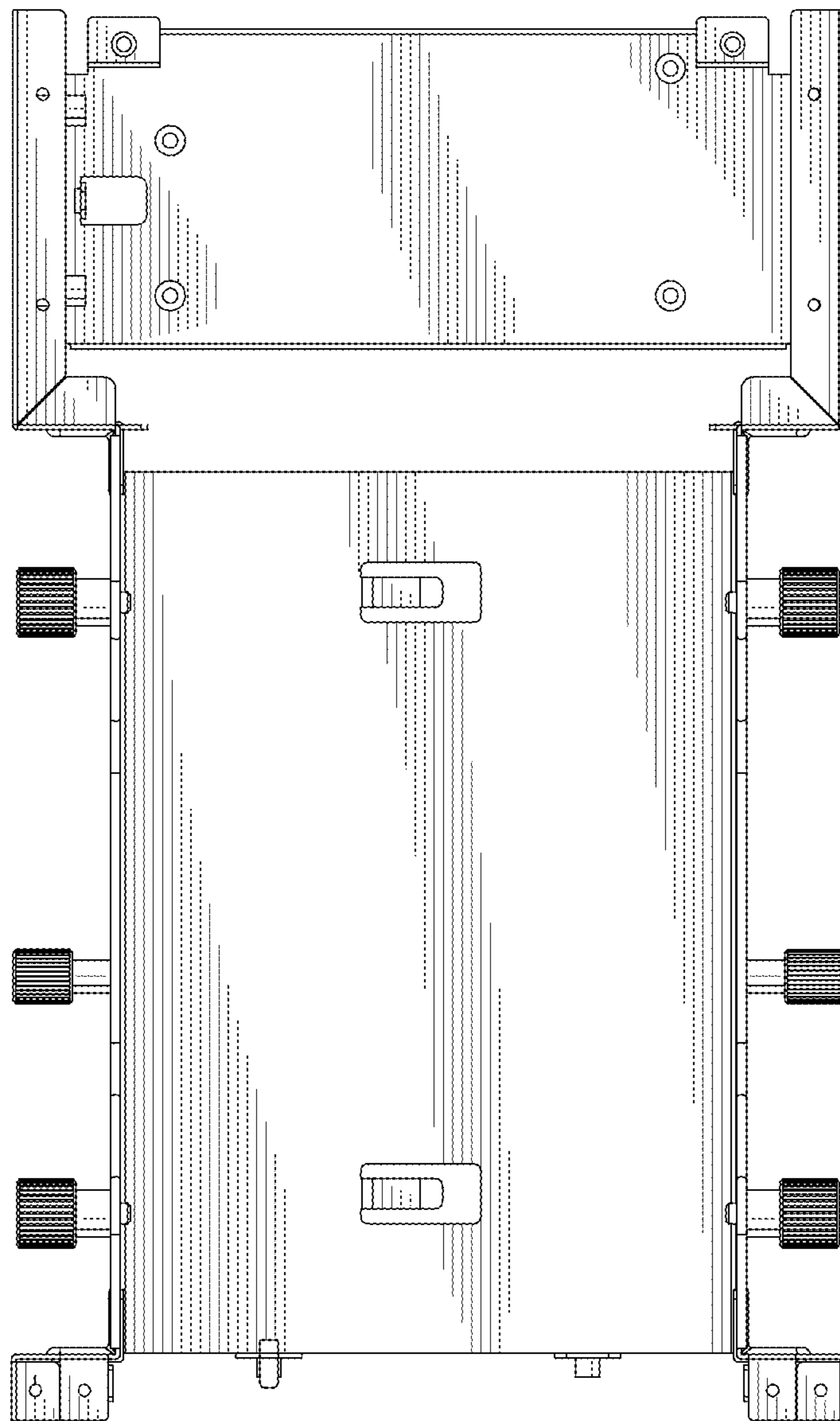


FIG. 6

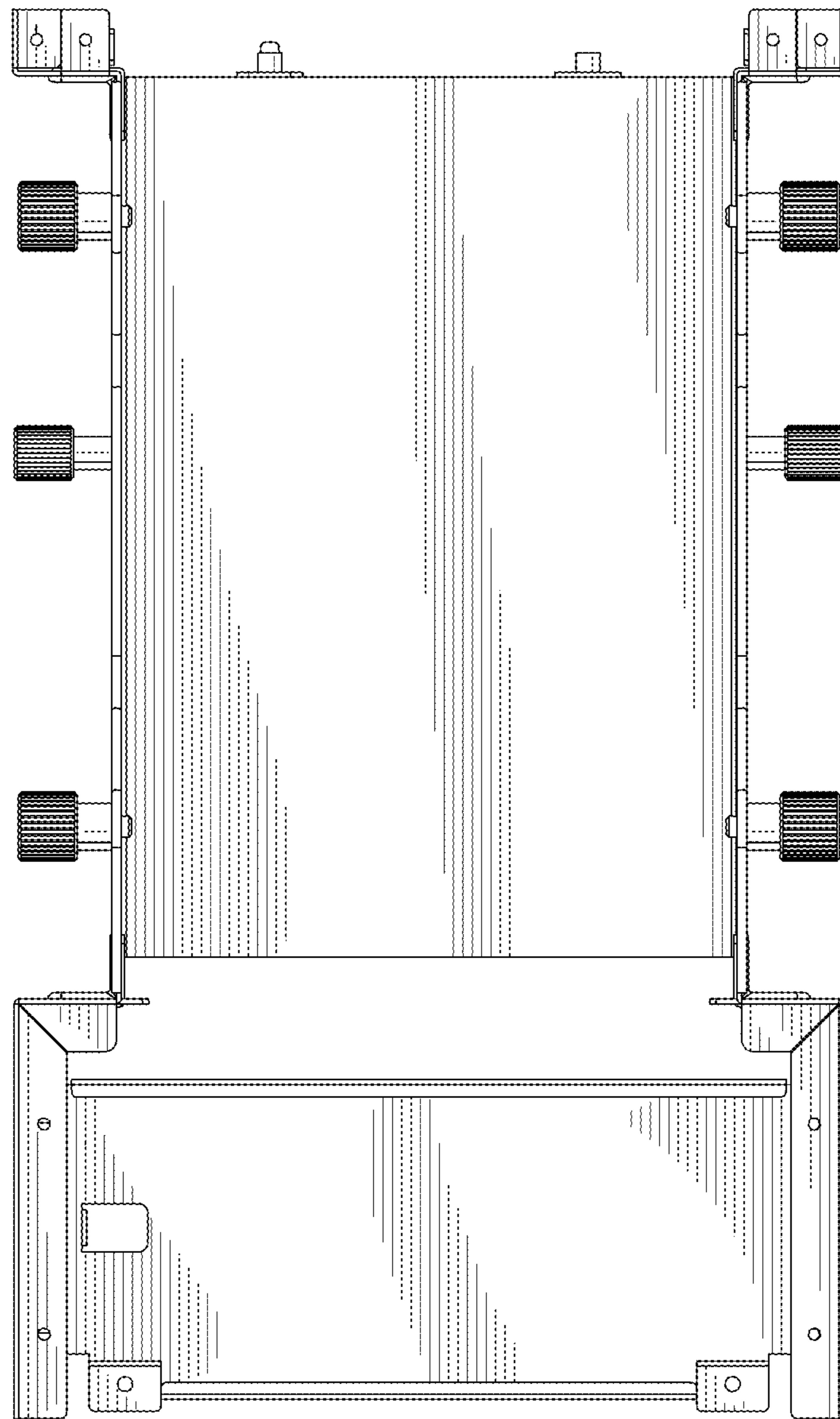


FIG. 7

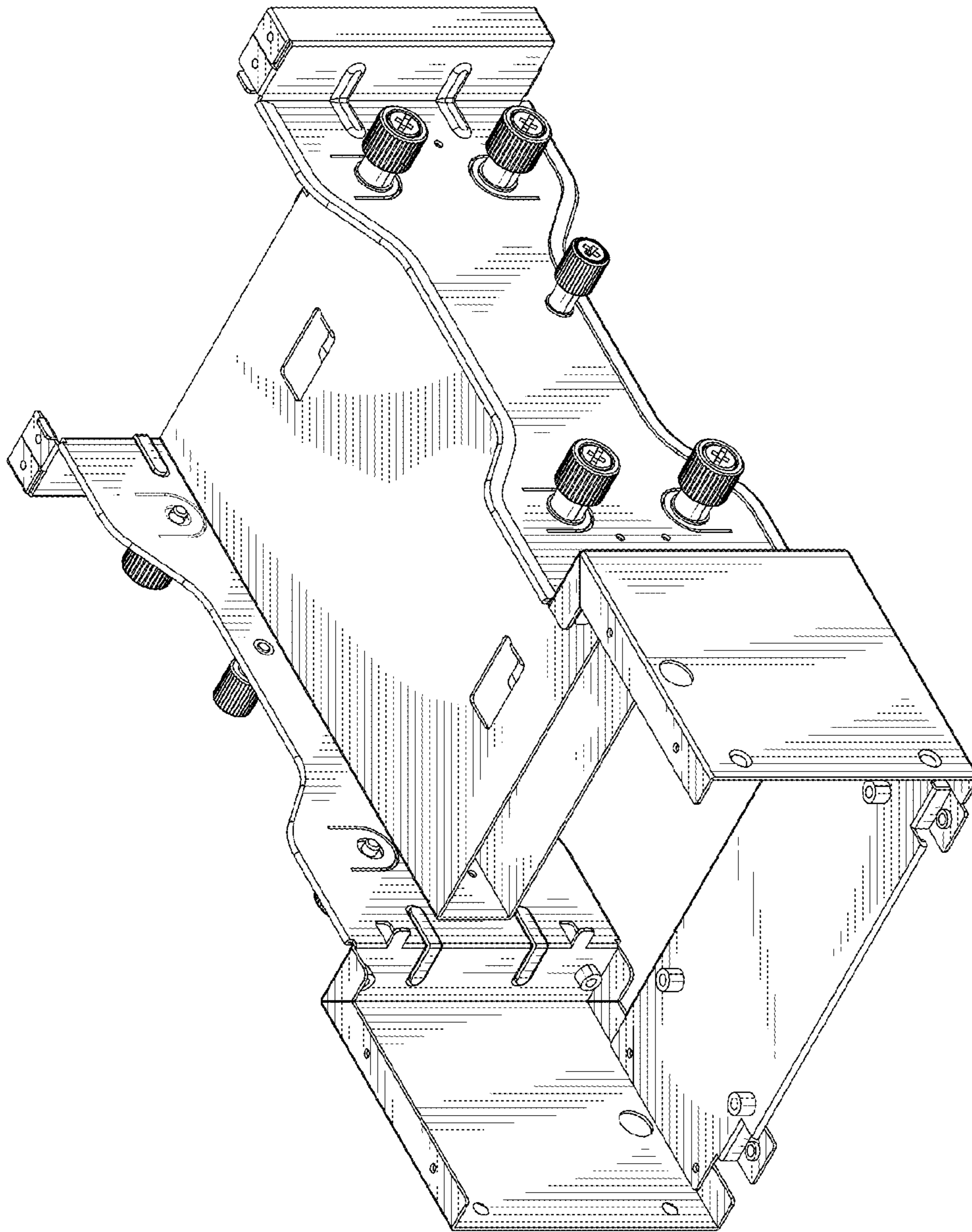


FIG. 8