



US00D735724S

(12) **United States Design Patent**
Song

(10) **Patent No.:** **US D735,724 S**
(45) **Date of Patent:** **** Aug. 4, 2015**

(54) **CASE FOR ELECTRONIC DEVICE**

(71) Applicant: **SAMSUNG ELECTRONICS CO., LTD.**, Suwon-si (KR)

(72) Inventor: **Jun Yong Song**, Seongnam-si (KR)

(73) Assignee: **SAMSUNG ELECTRONICS CO., LTD.** (KR)

(**) Term: **14 Years**

(21) Appl. No.: **29/470,950**

(22) Filed: **Oct. 25, 2013**

(30) **Foreign Application Priority Data**

Aug. 30, 2013 (KR) 30-2013-0044832

(51) **LOC (10) Cl.** **14-02**

(52) **U.S. Cl.**
USPC **D14/432; D14/439**

(58) **Field of Classification Search**
USPC D14/432, 433, 439, 445, 446, 300, 348,
D14/302, 341, 441, 248, 453, 427, 426;
361/679.4, 679.45, 679.02, 679.31;
174/354, 359; 455/557, 41.2, 418, 566;
D10/30, 37, 39, 65; 345/2.3, 520
CPC H04B 1/38; H04B 7/00; H04M 3/00;
G09G 5/00; G06F 13/14

See application file for complete search history.

(56) **References Cited**

U.S. PATENT DOCUMENTS

D469,438 S *	1/2003	Corrales	D14/432
D575,295 S *	8/2008	Palmer et al.	D14/453
D593,552 S *	6/2009	Ferrari et al.	D14/341
D630,624 S *	1/2011	Corley et al.	D14/248
D639,791 S *	6/2011	Corley et al.	D14/248
D673,958 S *	1/2013	Fathollahi	D14/440
D694,242 S *	11/2013	Cho	D14/432
D702,239 S *	4/2014	Lee et al.	D14/432
D704,712 S *	5/2014	Sugino et al.	D14/432
D717,800 S *	11/2014	Akana et al.	D14/432
D720,353 S *	12/2014	Nakamura	D14/432
2007/0010219 A1 *	1/2007	Qin et al.	455/128
2007/0218961 A1 *	9/2007	Luo et al.	455/575.1

* cited by examiner

Primary Examiner — Austin Murphy

(74) *Attorney, Agent, or Firm* — Cantor Colburn LLP

(57) **CLAIM**

I claim, the ornamental design for a case for electronic device, as shown and described.

DESCRIPTION

FIG. 1 is a front perspective view of a case for electronic device showing my new design;
FIG. 2 is a front elevation view of thereof;
FIG. 3 is a rear elevation view of thereof;
FIG. 4 is a side elevation view of thereof;
FIG. 5 is another side elevation view of thereof;
FIG. 6 is a top plan view of thereof; and,
FIG. 7 is a bottom plan view of thereof.
The broken lines illustrating portions of the case for electronic device are for environmental purpose only and form no part of the claimed design.

1 Claim, 7 Drawing Sheets

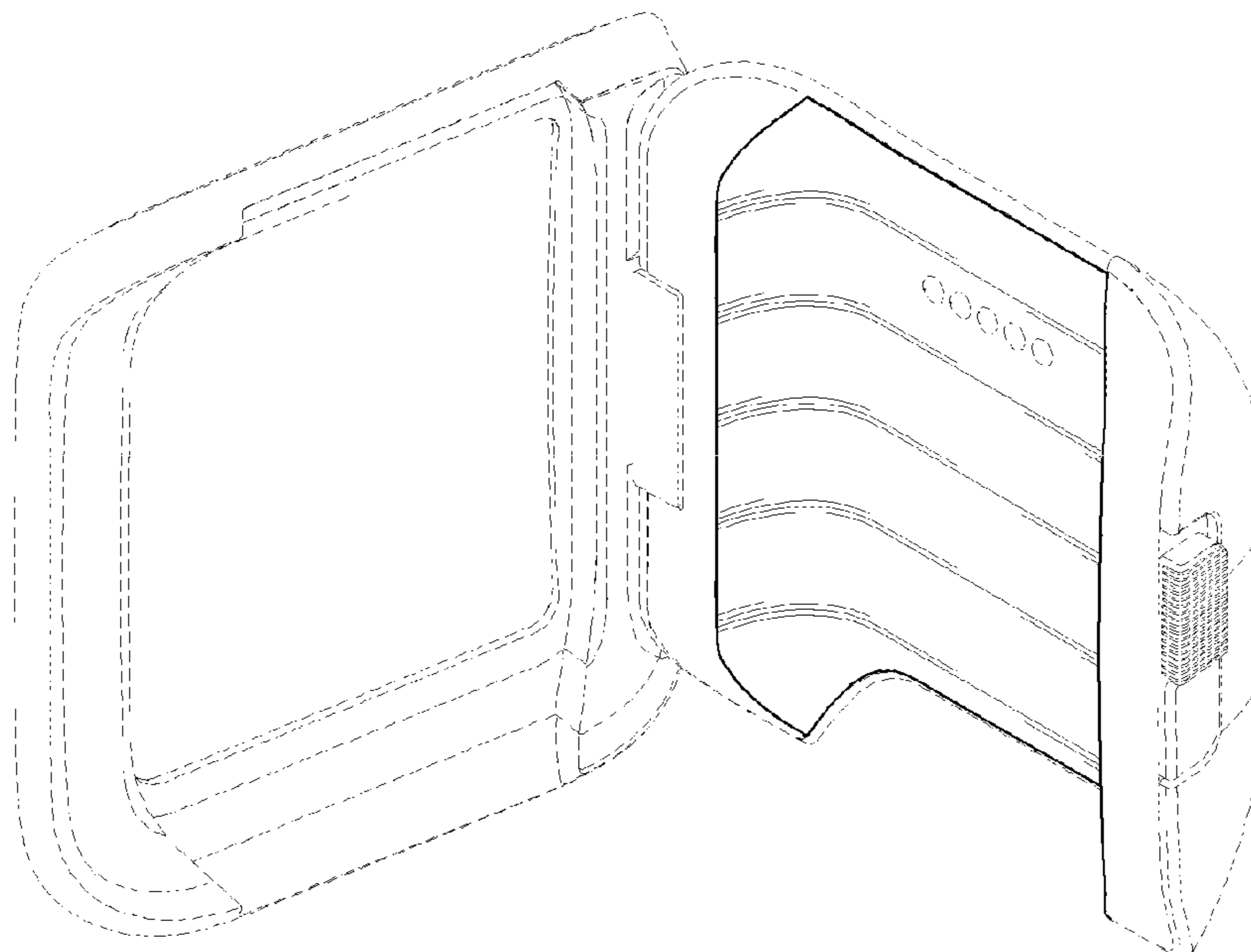


FIG. 1

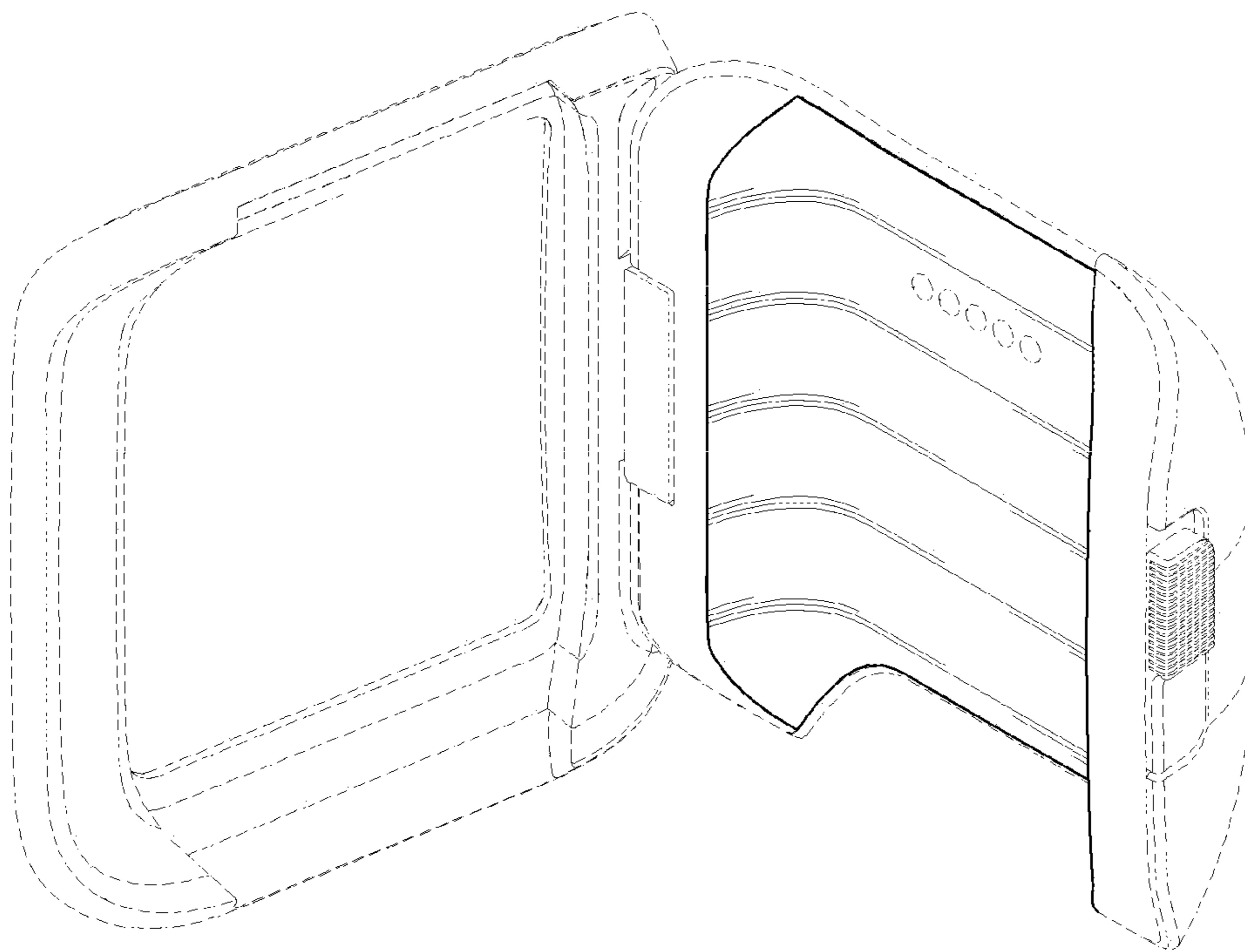


FIG. 2

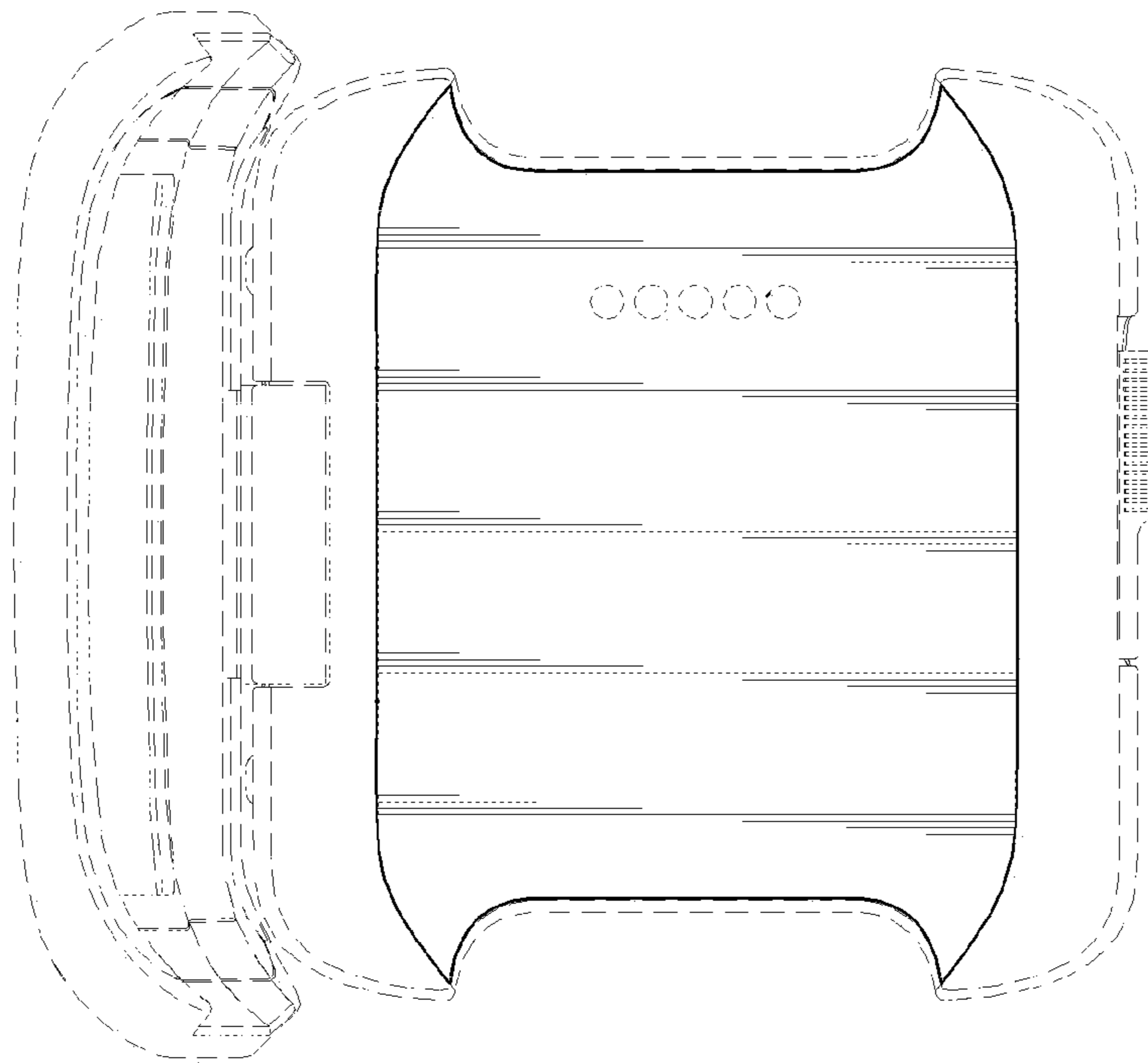


FIG. 3

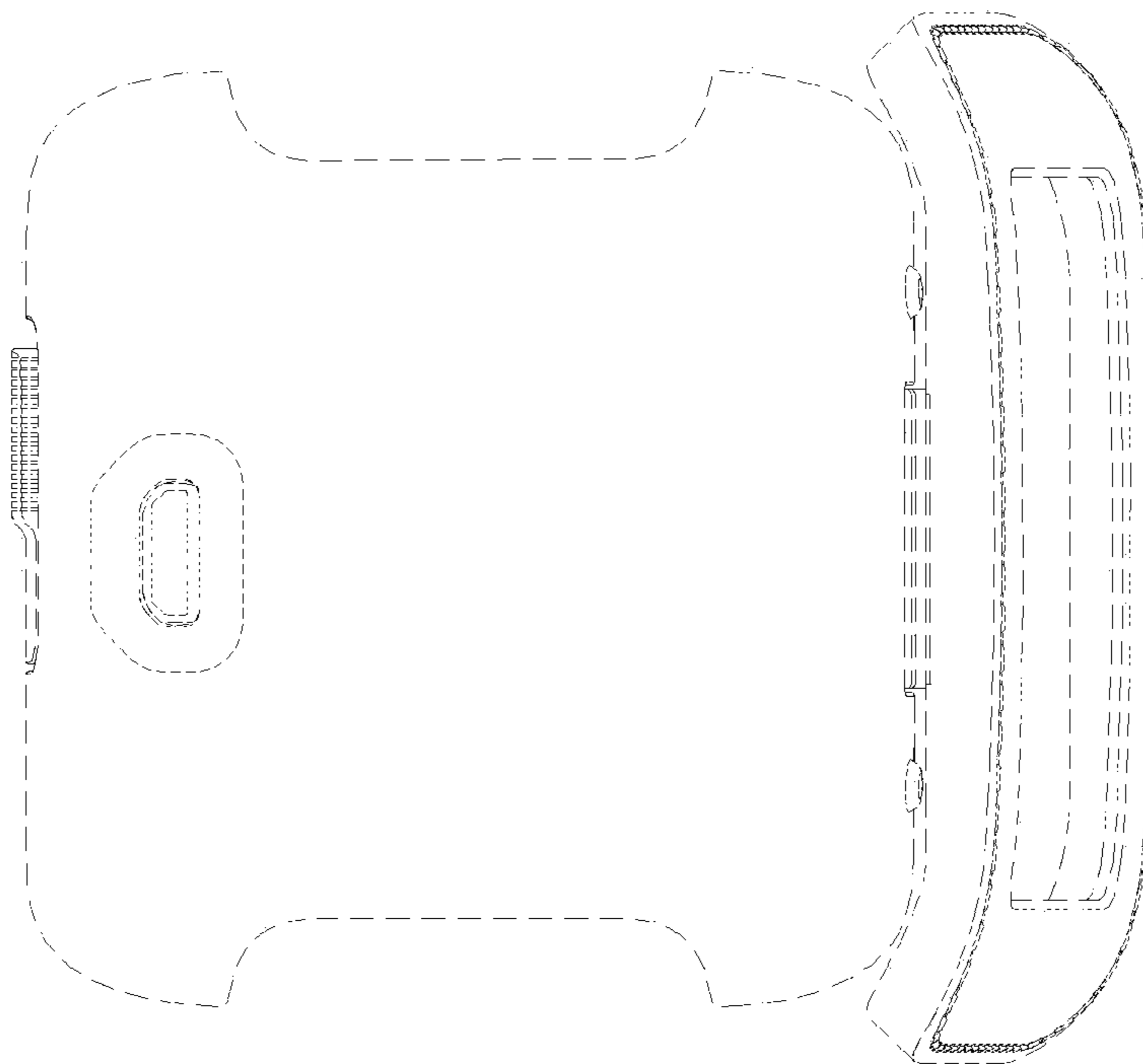


FIG. 4

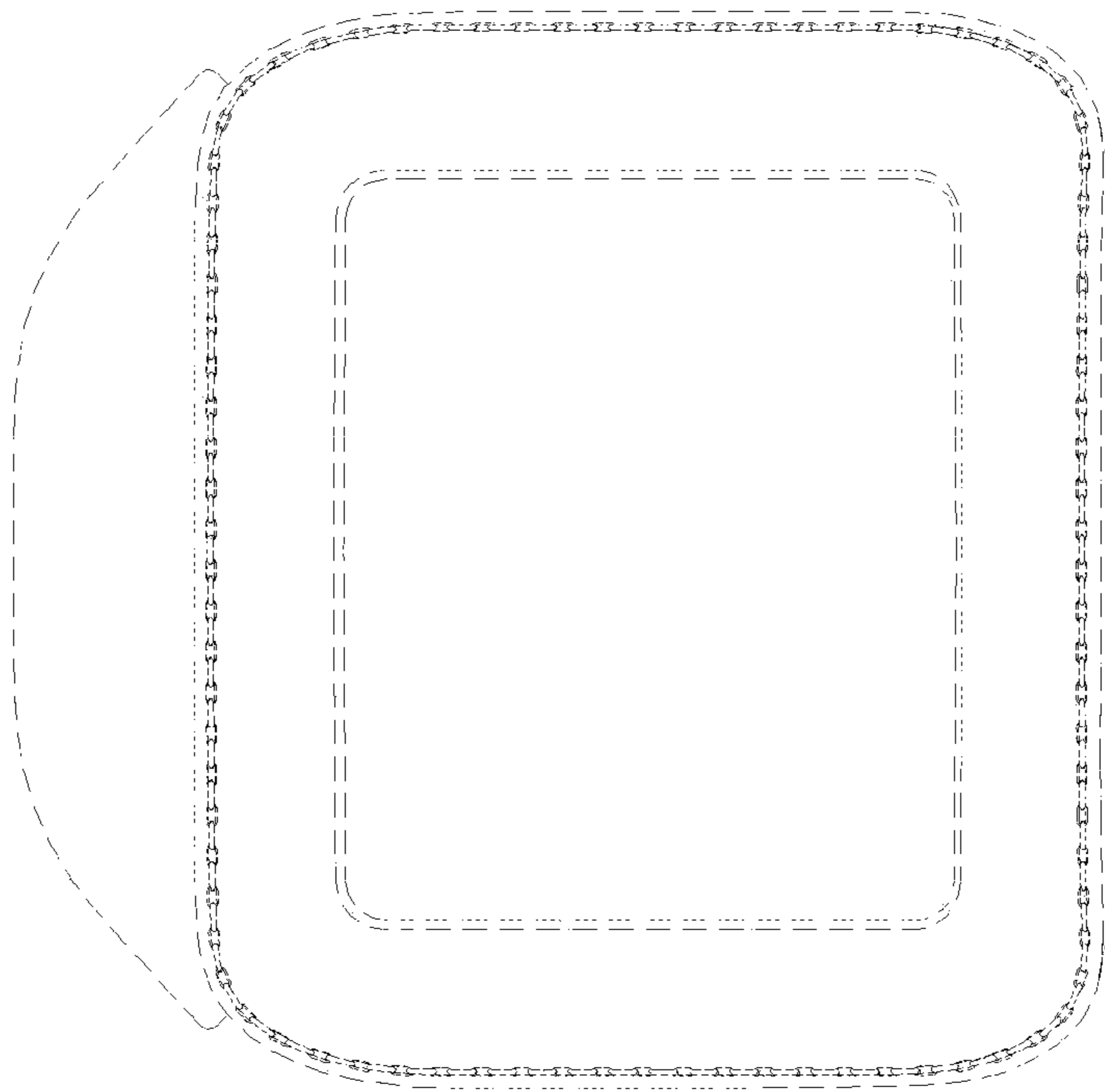


FIG. 5

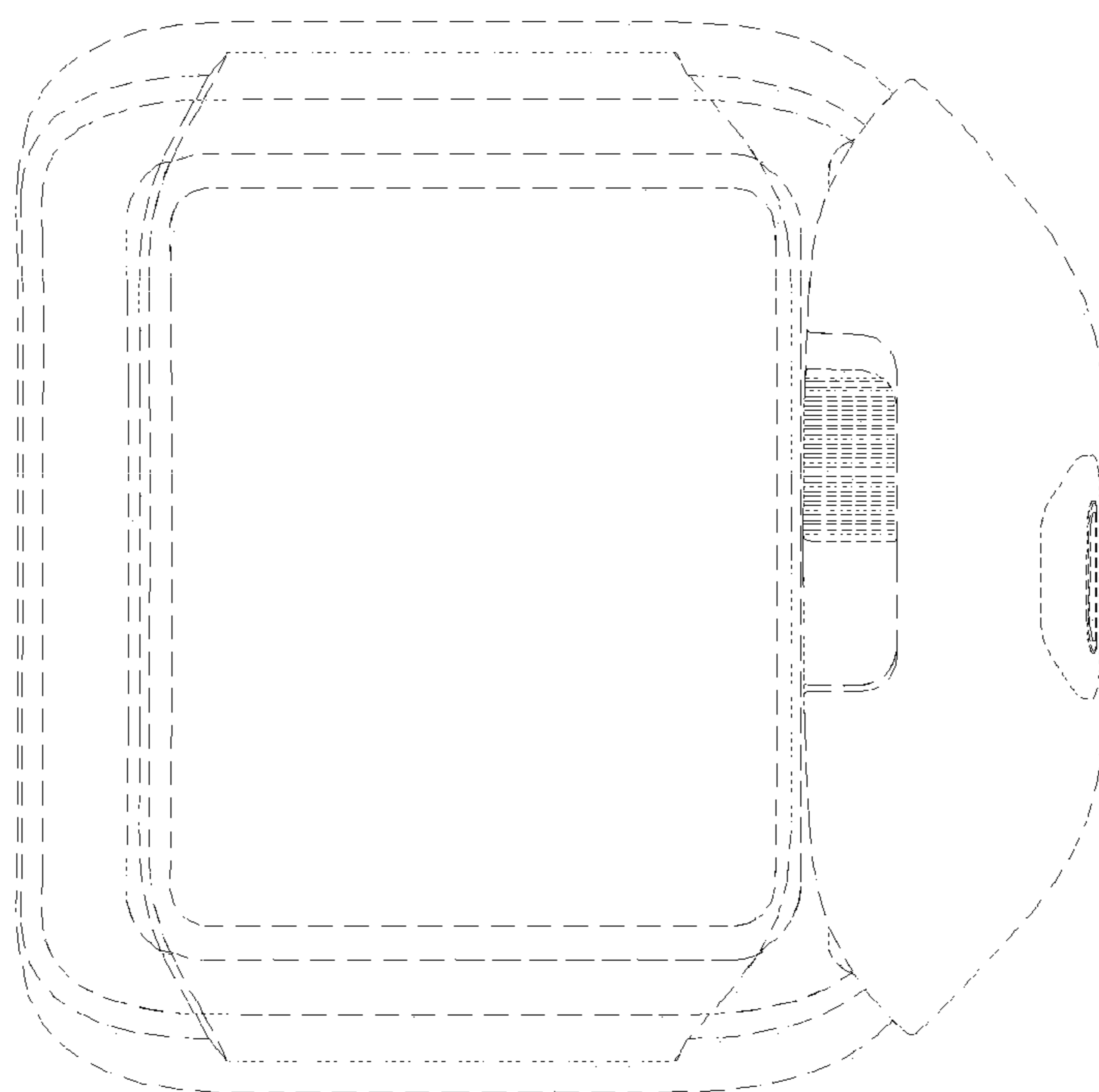


FIG. 6

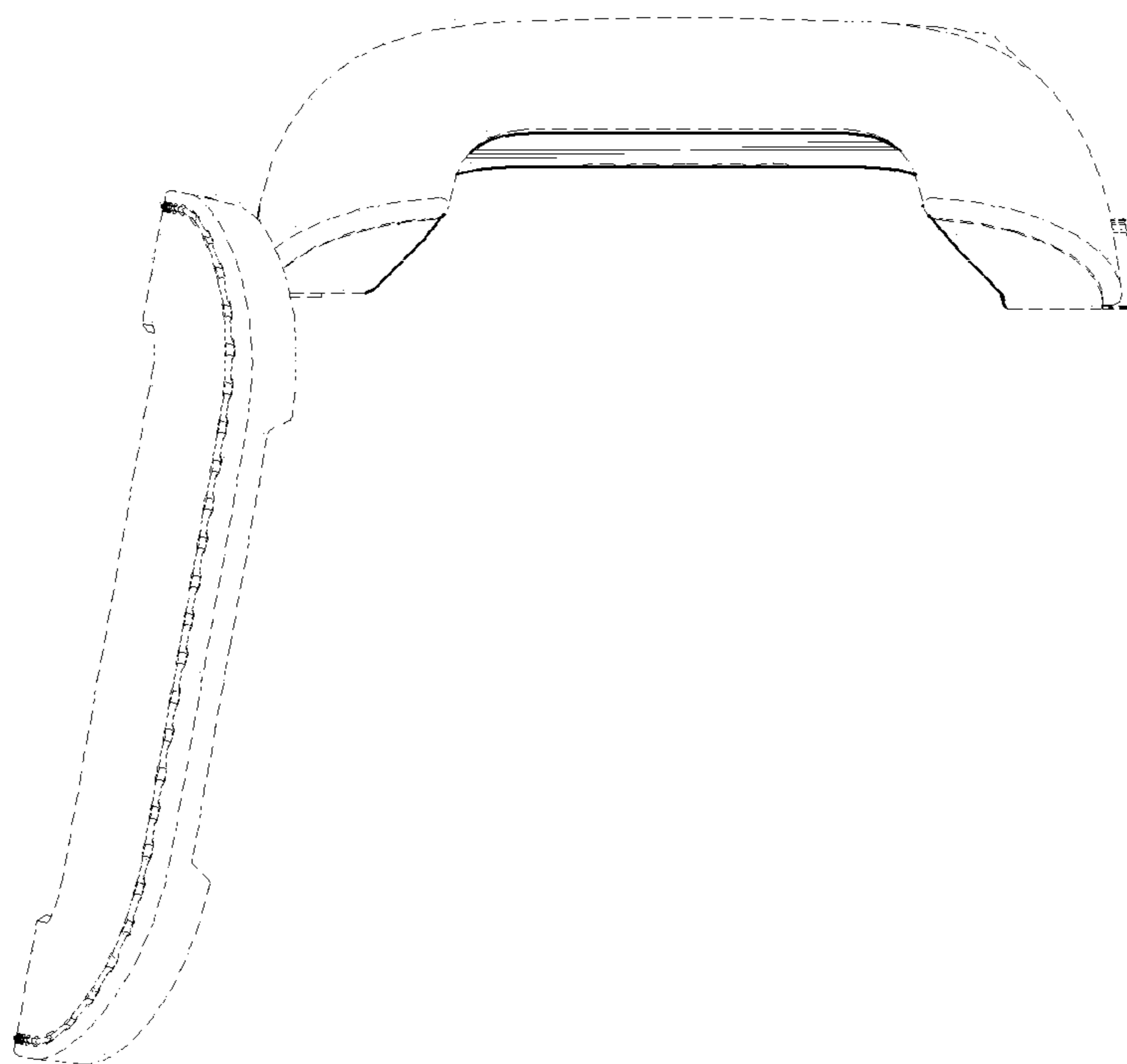


FIG. 7

