



US00D735722S

(12) **United States Design Patent**
Amann

(10) **Patent No.:** **US D735,722 S**
(45) **Date of Patent:** **** Aug. 4, 2015**

(54) **JOYSTICK**

D282,759 S * 2/1986 Weissberg D14/415

(Continued)

(71) Applicant: **ZF Friedrichshafen AG**,
Friedrichshafen (DE)

Primary Examiner — Keli L Hill

(72) Inventor: **Joerg Amann**, Oberteuringen (DE)

(74) *Attorney, Agent, or Firm* — Nicholas B. Trenkle; Stites
& Harbison PLLC

(73) Assignee: **ZF FRIEDRICHSHAFEN AG**,
Friedrichshafen (DE)

(57) **CLAIM**

The ornamental design for a joystick, as shown and described.

(**) Term: **14 Years**

DESCRIPTION

(21) Appl. No.: **29/475,695**

FIG. 1 is a back view of a joystick showing the new design.
FIG. 2 is a right side view thereof, and the left side view is a
mirror image.

(22) Filed: **Dec. 5, 2013**

FIG. 3 is a front, top and right side perspective view thereof.

(30) **Foreign Application Priority Data**

Aug. 12, 2013 (EM) 001380349-0001
Aug. 12, 2013 (EM) 001380349-0002
Aug. 12, 2013 (EM) 001380349-0003
Aug. 12, 2013 (EM) 001380349-0004
Aug. 12, 2013 (EM) 001380349-0005
Aug. 12, 2013 (EM) 001380349-0006

FIG. 4 is a front view thereof.

FIG. 5 is a top view thereof.

FIG. 6 is a back view of a second embodiment of a joystick
showing the new design.

FIG. 7 is a right side view thereof, and the left side view is a
mirror image.

FIG. 8 is a front, top and right side perspective view thereof,
and the front, top and left side view is a mirror image.

FIG. 9 is a front view thereof.

FIG. 10 is a top view thereof.

FIG. 11 is a back view of a third embodiment of a joystick
showing the new design.

FIG. 12 is a right side view thereof, and the left side view is a
mirror image.

FIG. 13 is a front, top and right side perspective view thereof,
and the front, top and left side view is a mirror image.

FIG. 14 is a front view thereof.

FIG. 15 is a top view thereof.

FIG. 16 is a back view of a fourth embodiment of a joystick
showing the new design.

FIG. 17 is a right side view thereof, and the left side view is a
mirror image.

FIG. 18 is a front, top and right side perspective view thereof,
and the front, top and left side view is a mirror image.

FIG. 19 is a front view thereof; and,

FIG. 20 is a top view thereof.

(51) **LOC (10) Cl.** **14-03**

(52) **U.S. Cl.**
USPC **D14/413; D21/333**

(58) **Field of Classification Search**
USPC D14/217, 218, 356, 388, 389, 400, 401,
D14/412-416, 432-434, 454, 496;
D21/324, 332, 333; D34/27, 35; 463/1,
463/30, 36-38, 46, 47; 345/156-161, 905;
D12/174, 178-180; D8/300, 303;
D15/138, 142; 74/489, 502.2, 523,
74/551.8, 551.9; D13/168

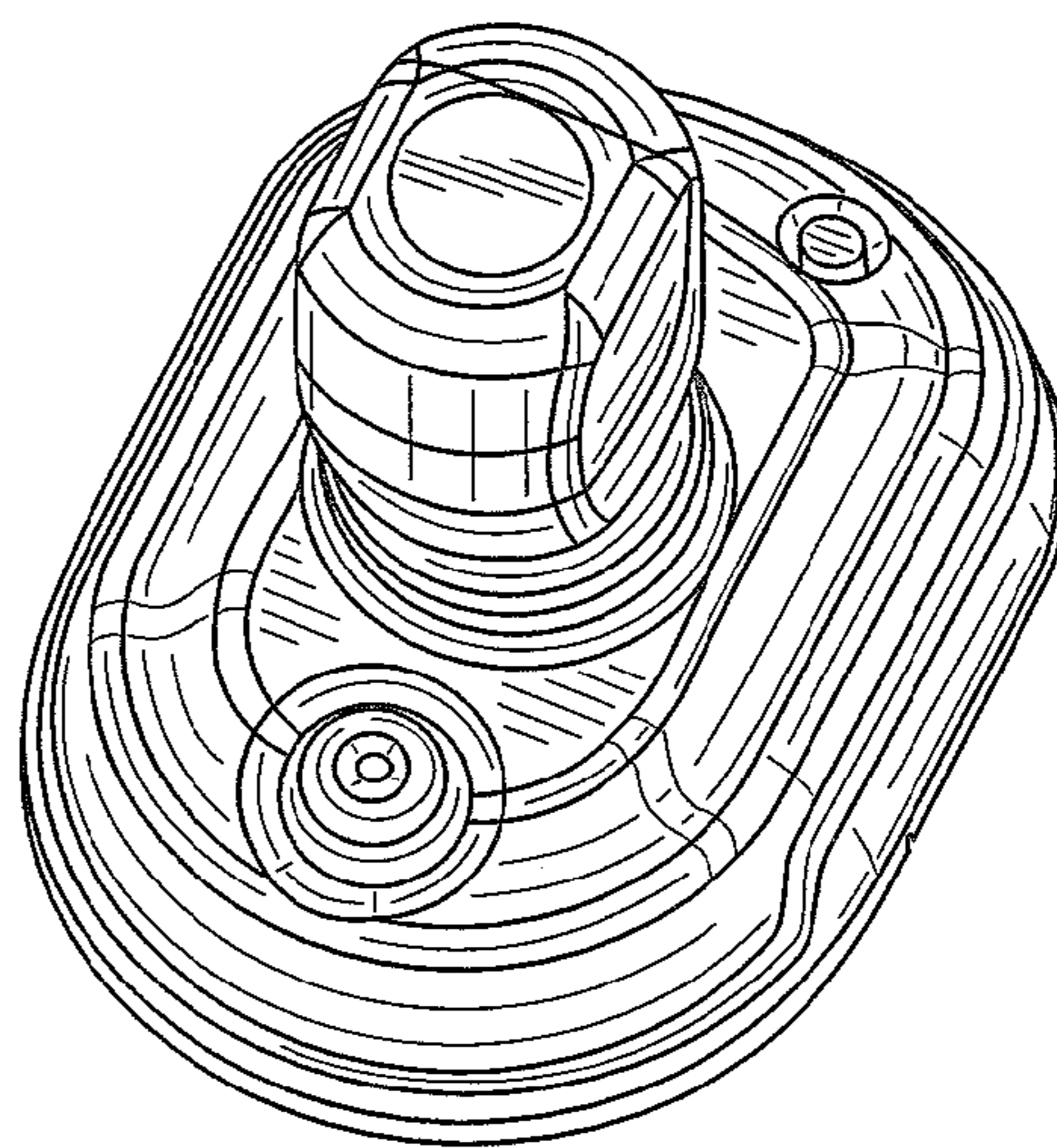
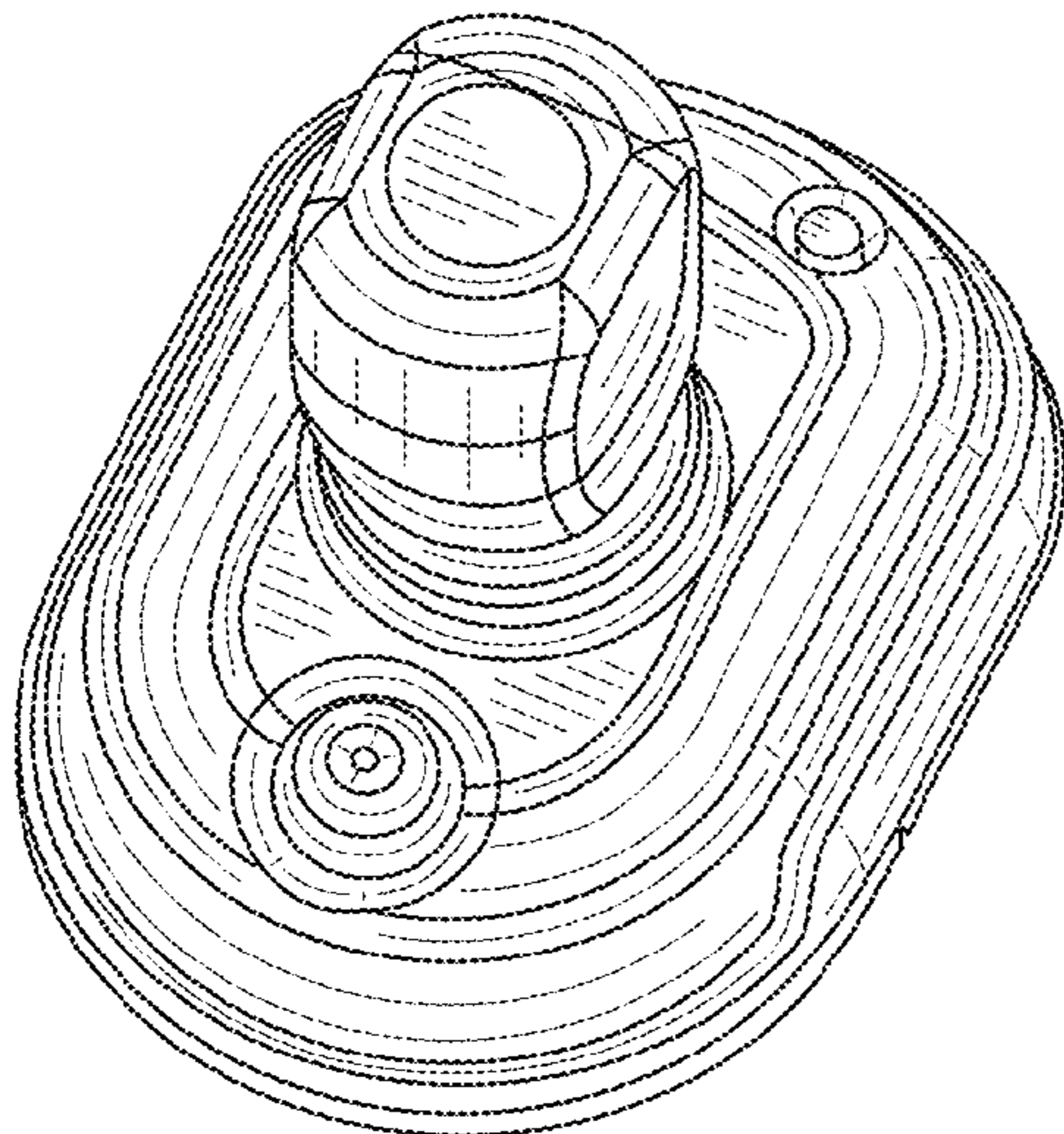
See application file for complete search history.

(56) **References Cited**

U.S. PATENT DOCUMENTS

D271,313 S * 11/1983 Nishi D14/415

1 Claim, 8 Drawing Sheets



(56)

References Cited

U.S. PATENT DOCUMENTS

D357,906 S * 5/1995 Fukushima D14/358
D399,847 S * 10/1998 Seifert D14/230
D409,169 S * 5/1999 Gustafsson D14/454
D411,497 S * 6/1999 Lagaay D12/179

D503,928 S * 4/2005 Obata D13/164
D517,589 S * 3/2006 Muto et al. D16/237
D658,184 S * 4/2012 Chang et al. D14/413
D698,357 S * 1/2014 Mainville et al. D14/412
D706,268 S * 6/2014 Beams D14/413

* cited by examiner

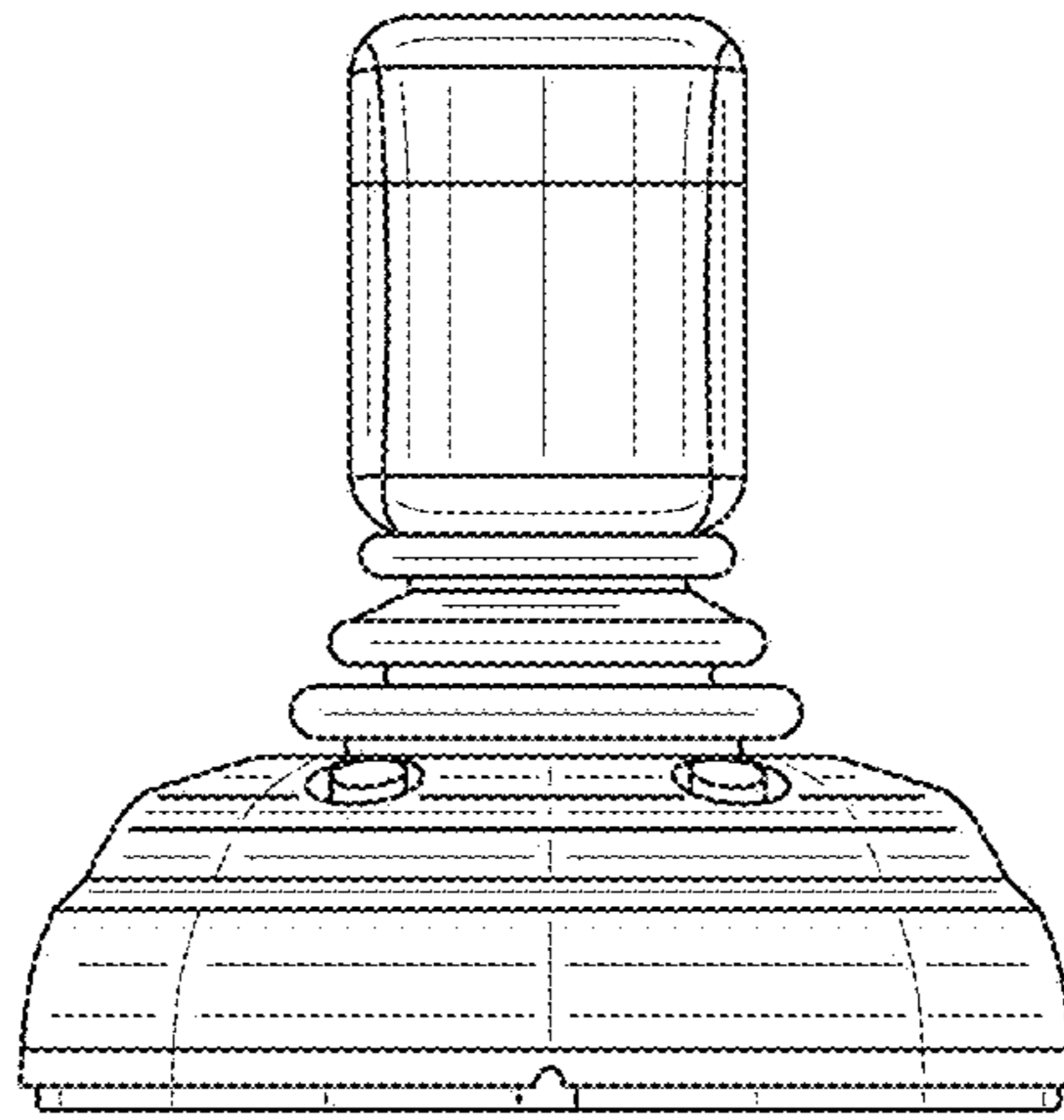


FIG. 1

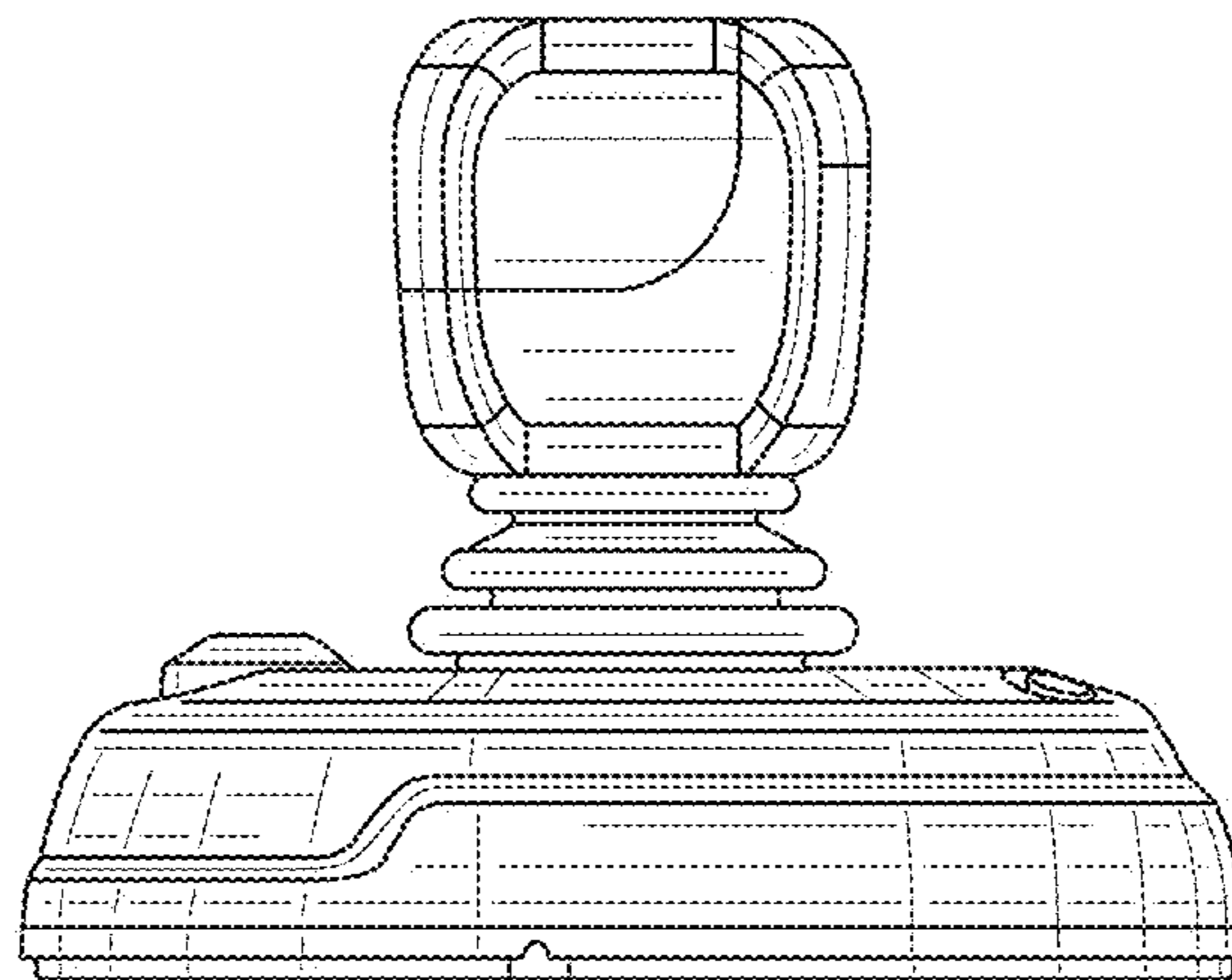


FIG. 2

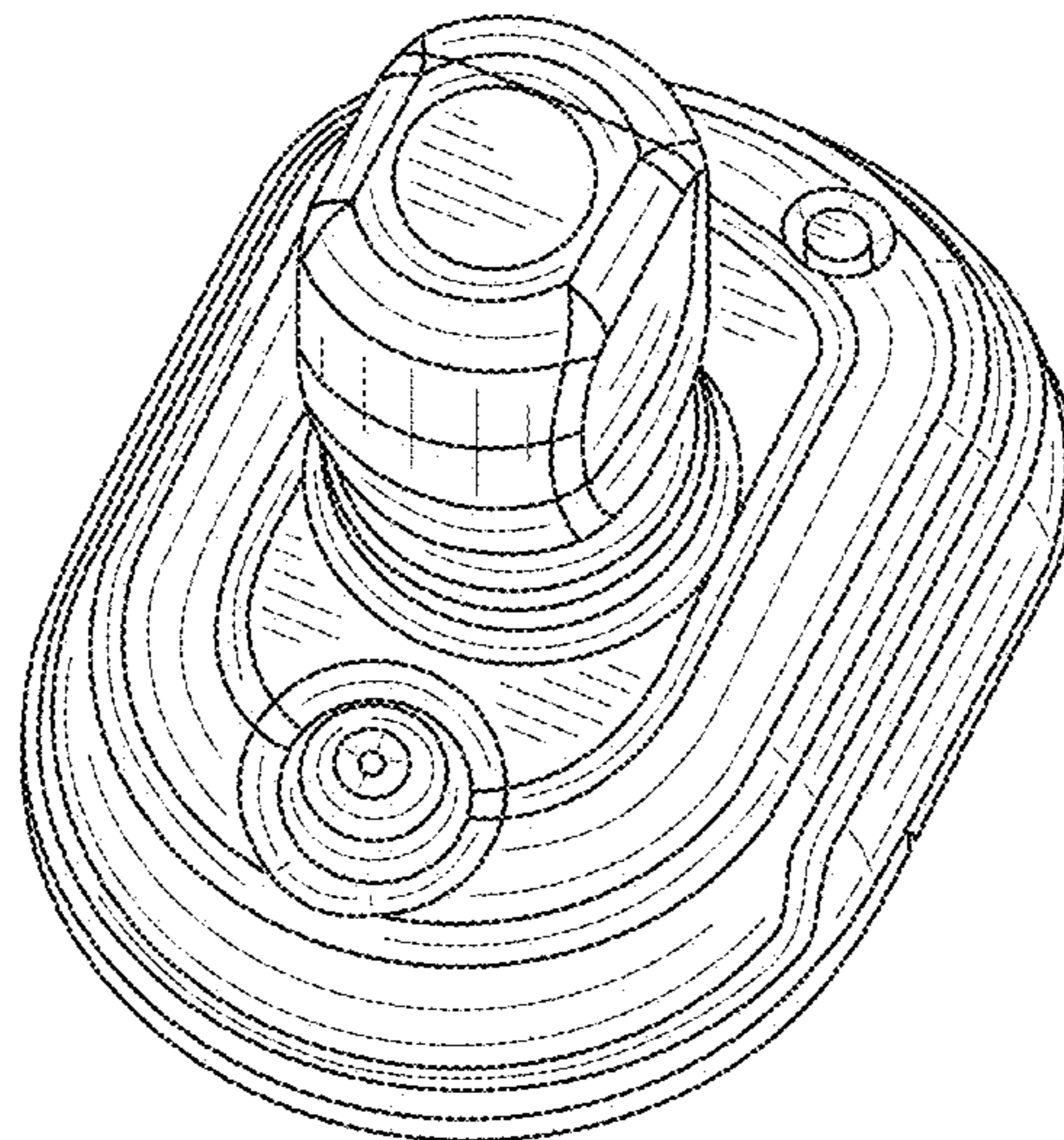


FIG. 3

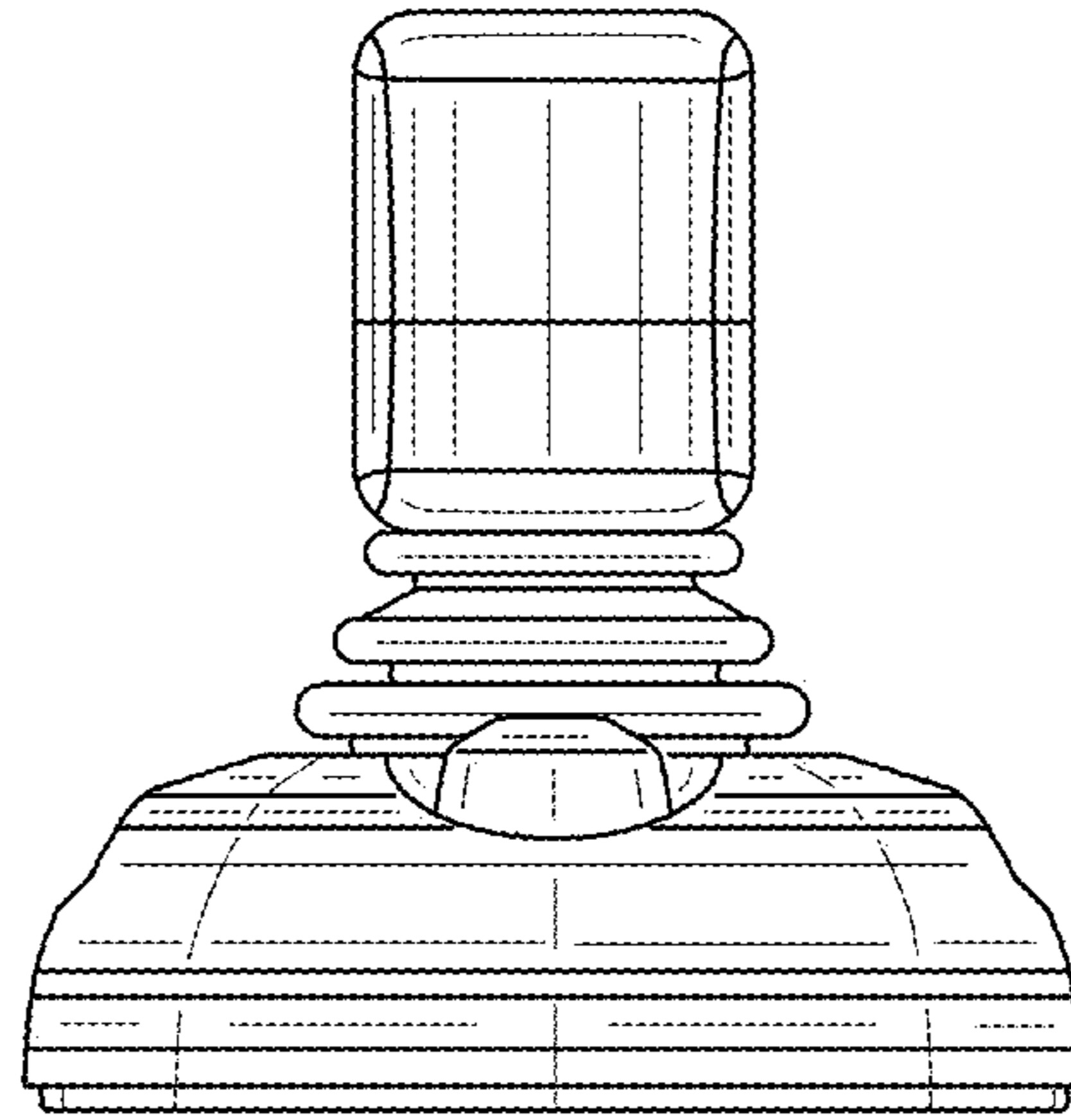


FIG. 4

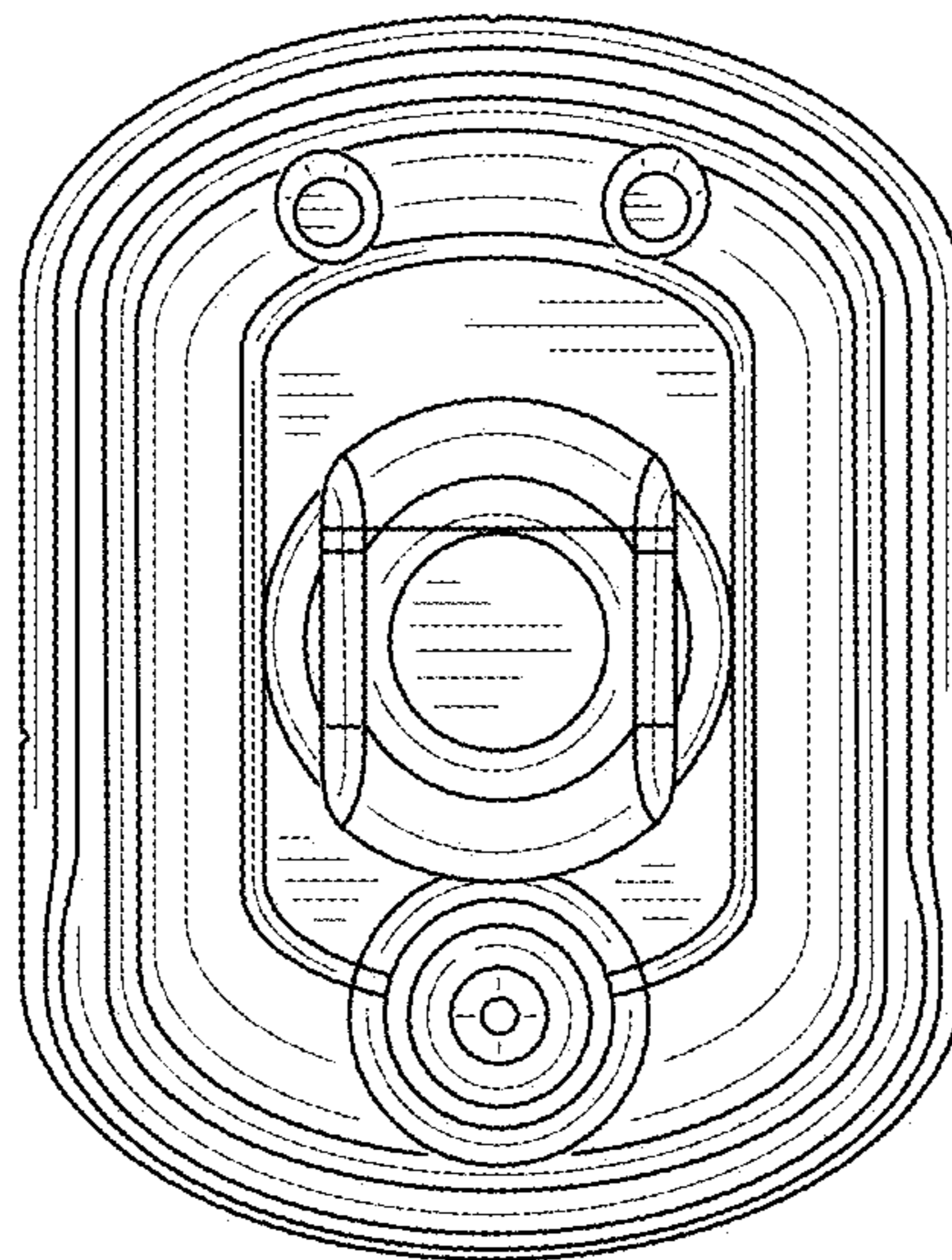


FIG. 5

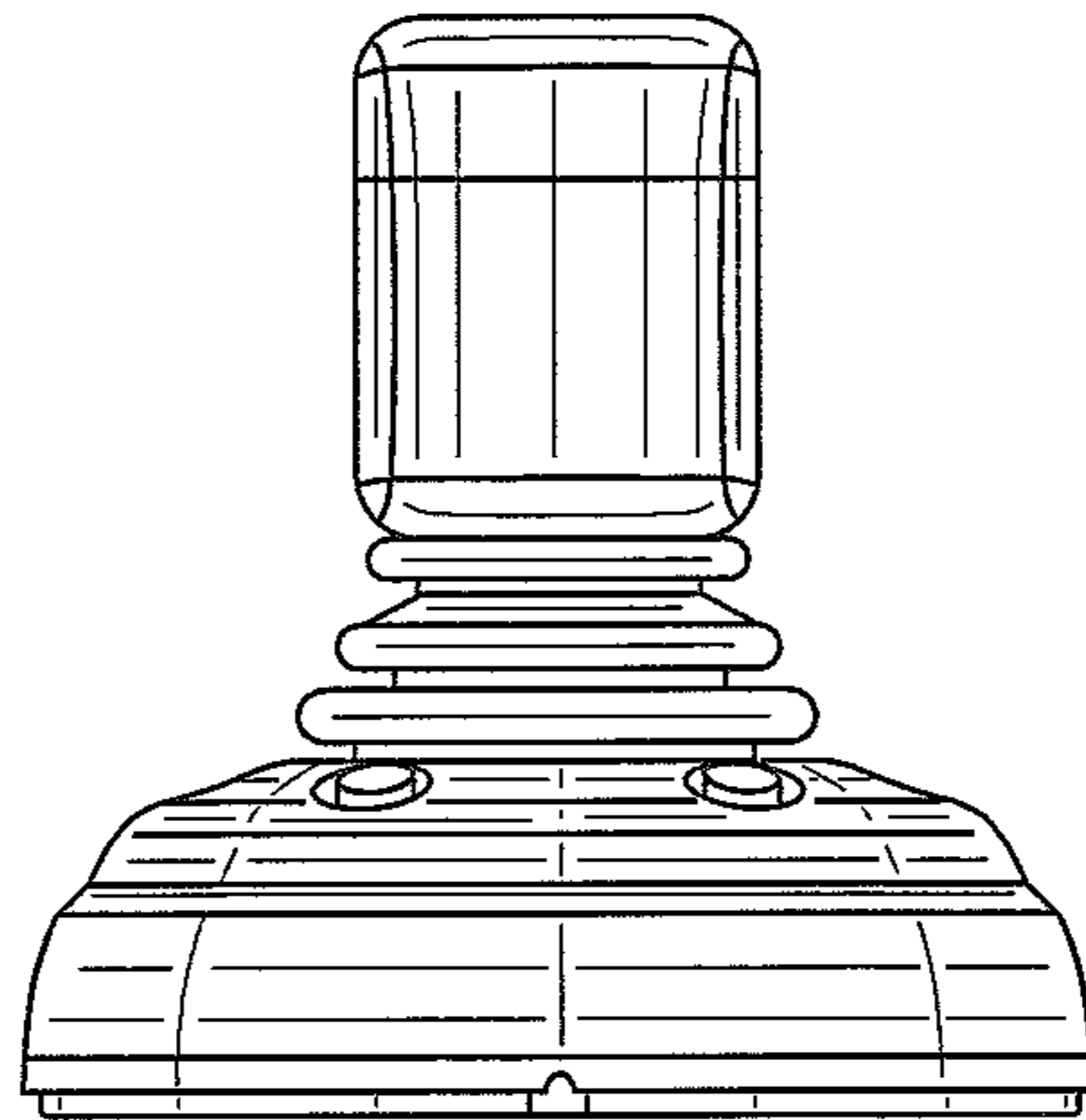


FIG. 6

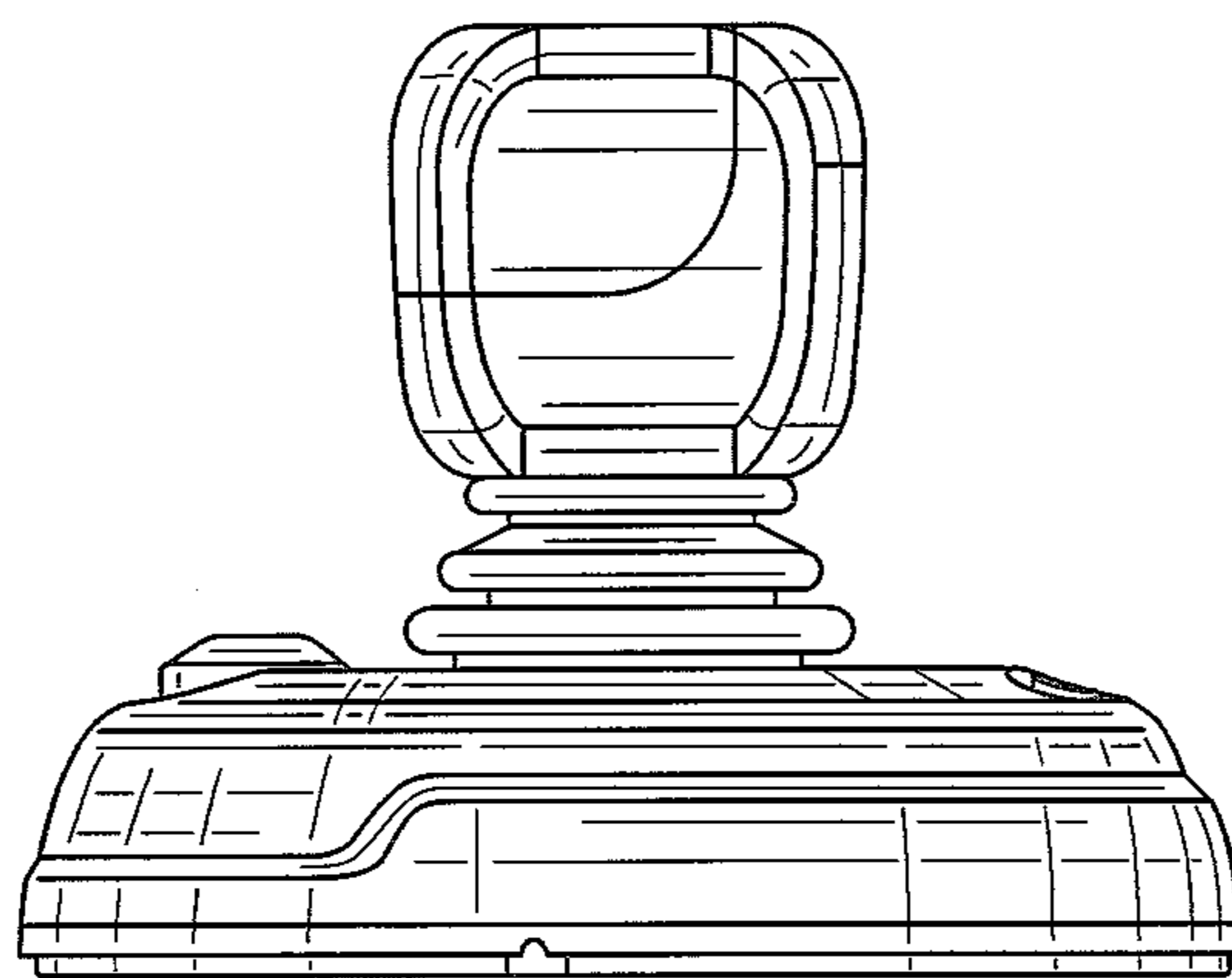


FIG. 7

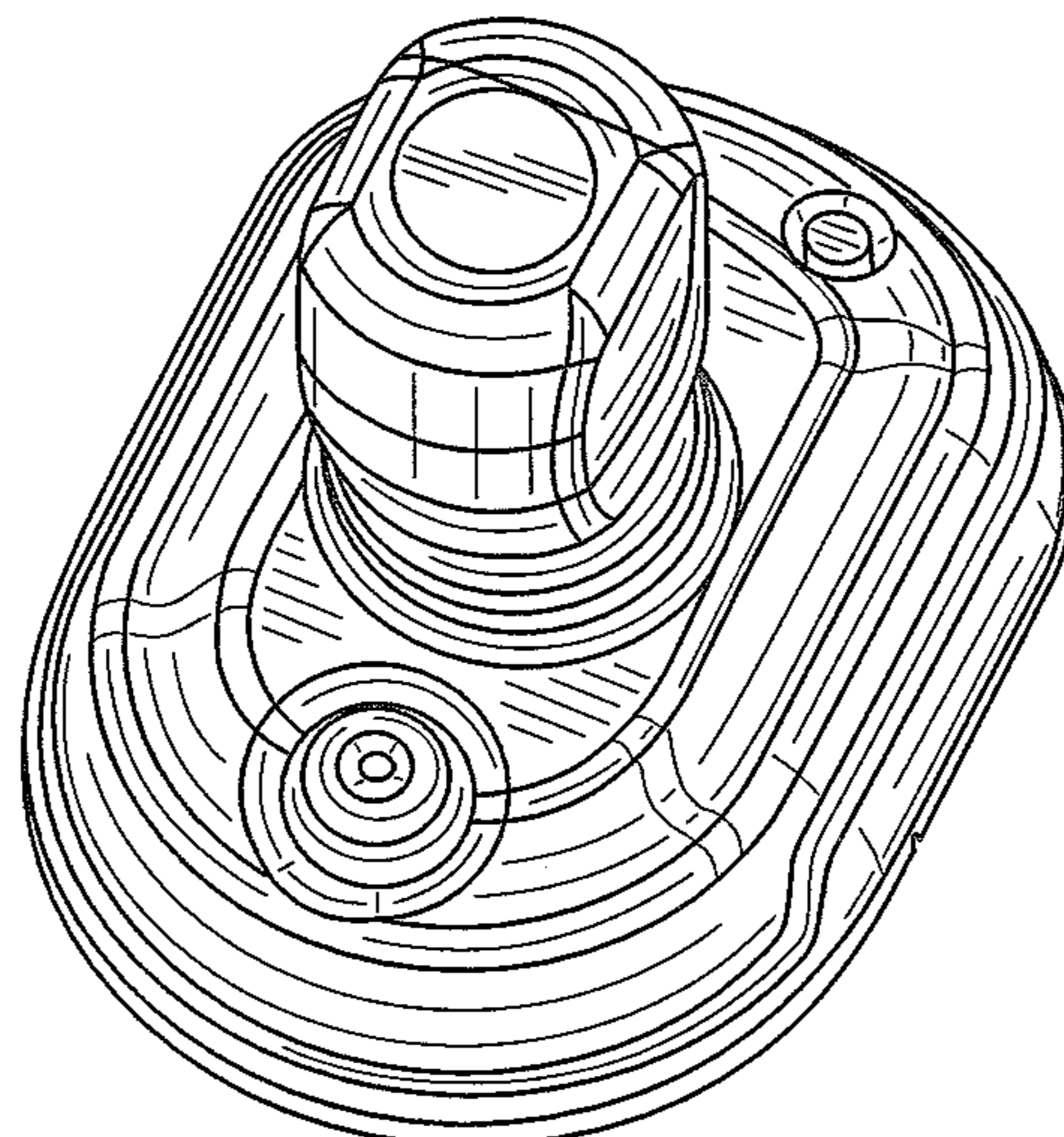


FIG. 8

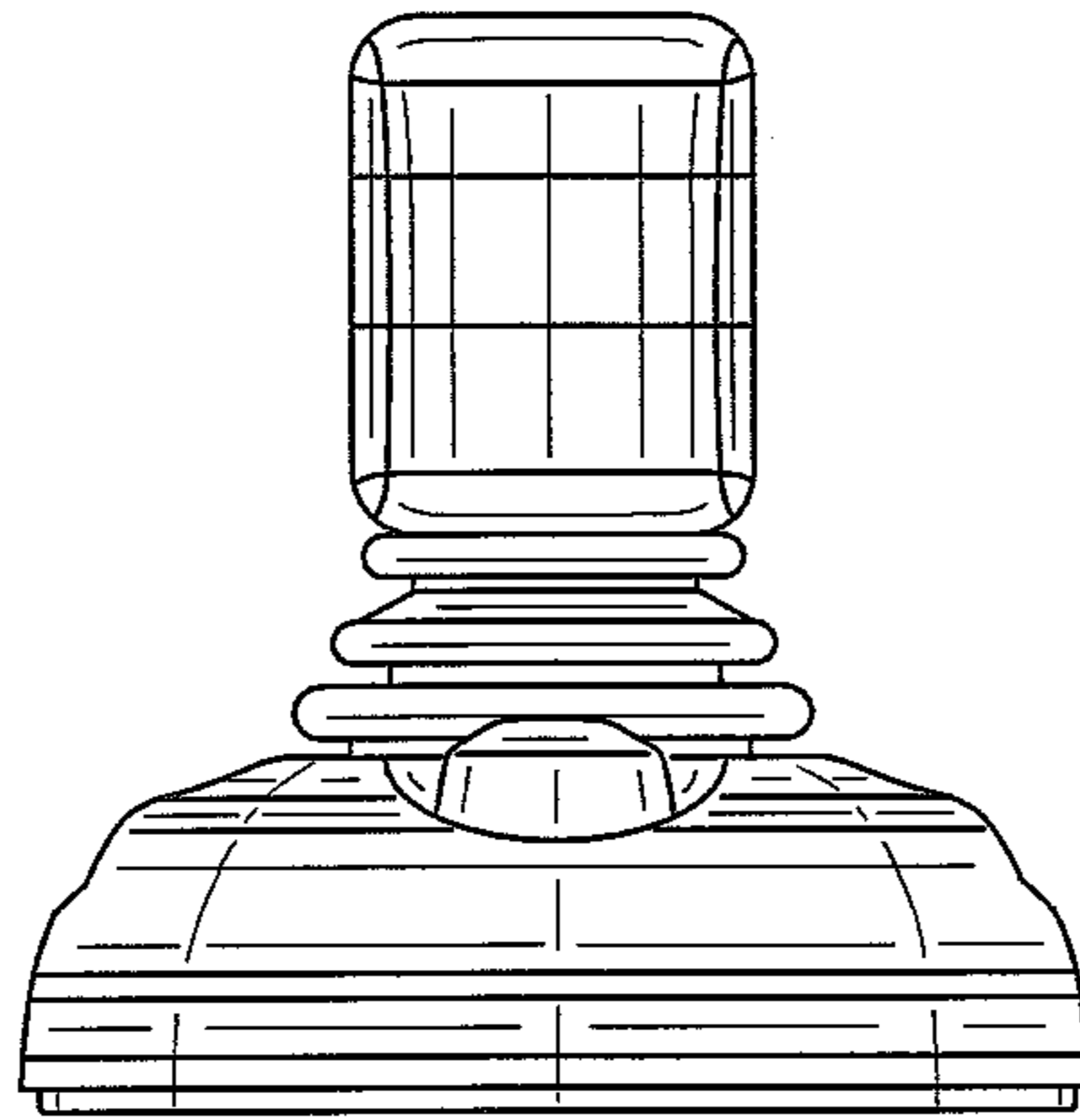


FIG. 9

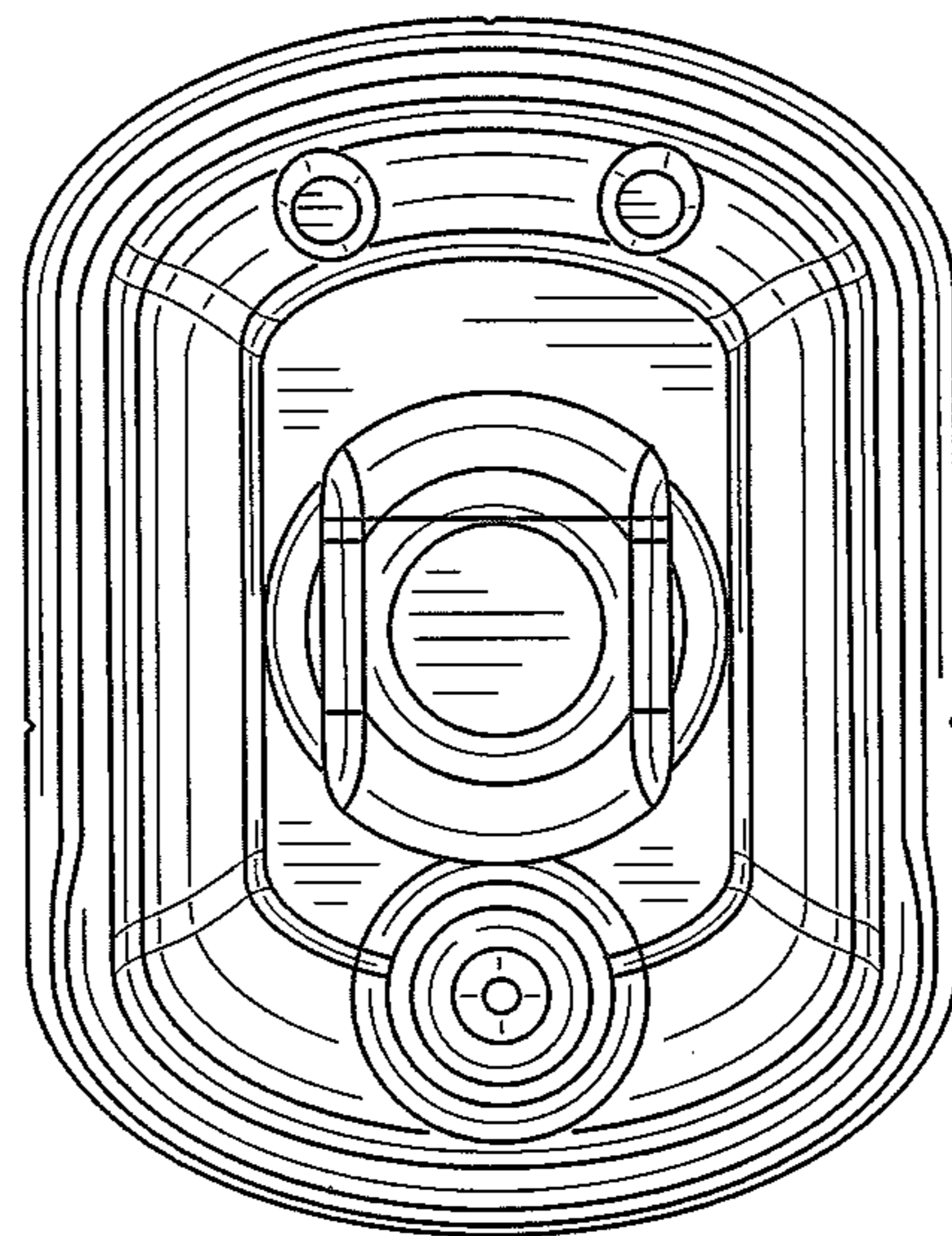


FIG. 10

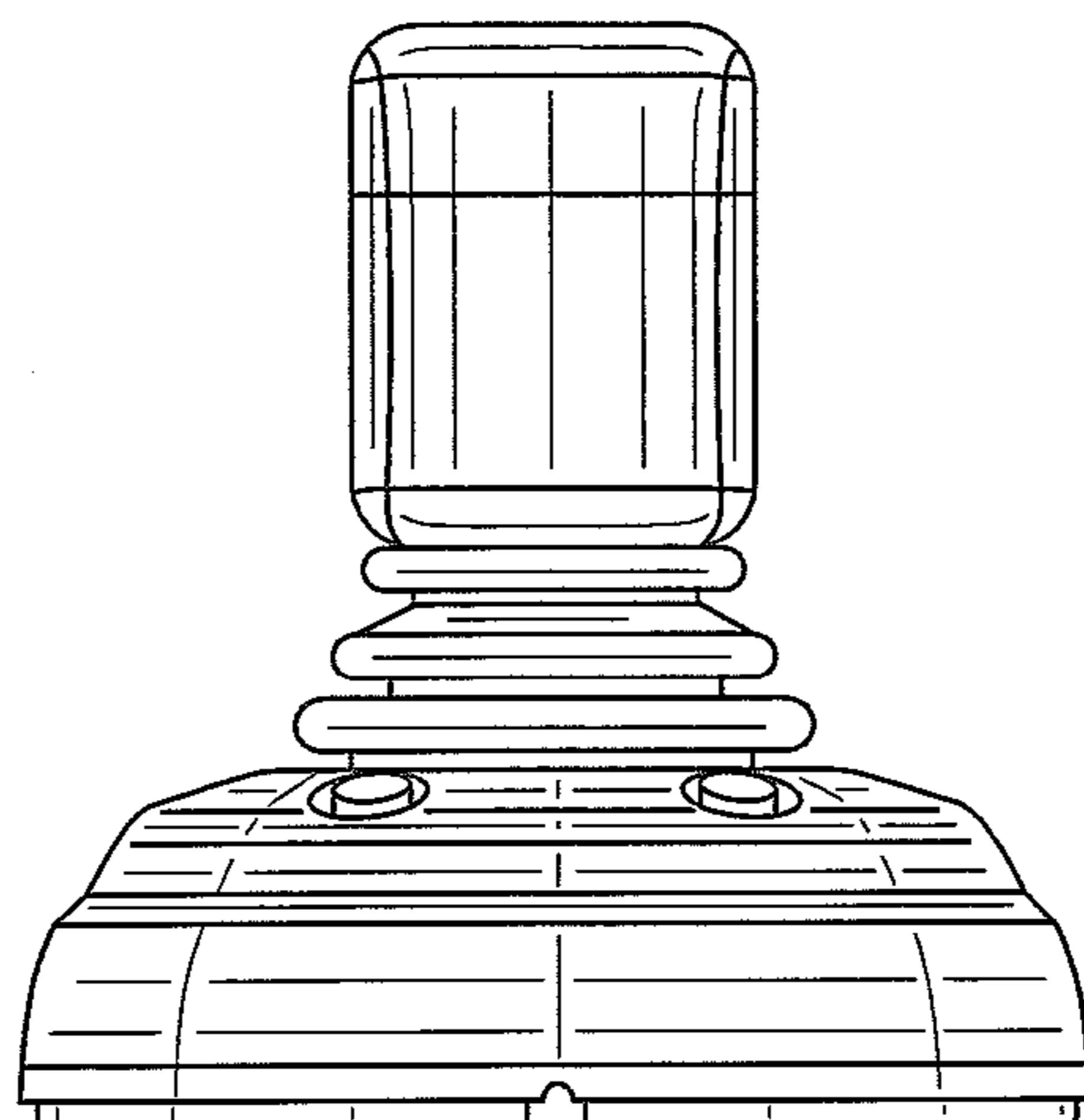


FIG. 11

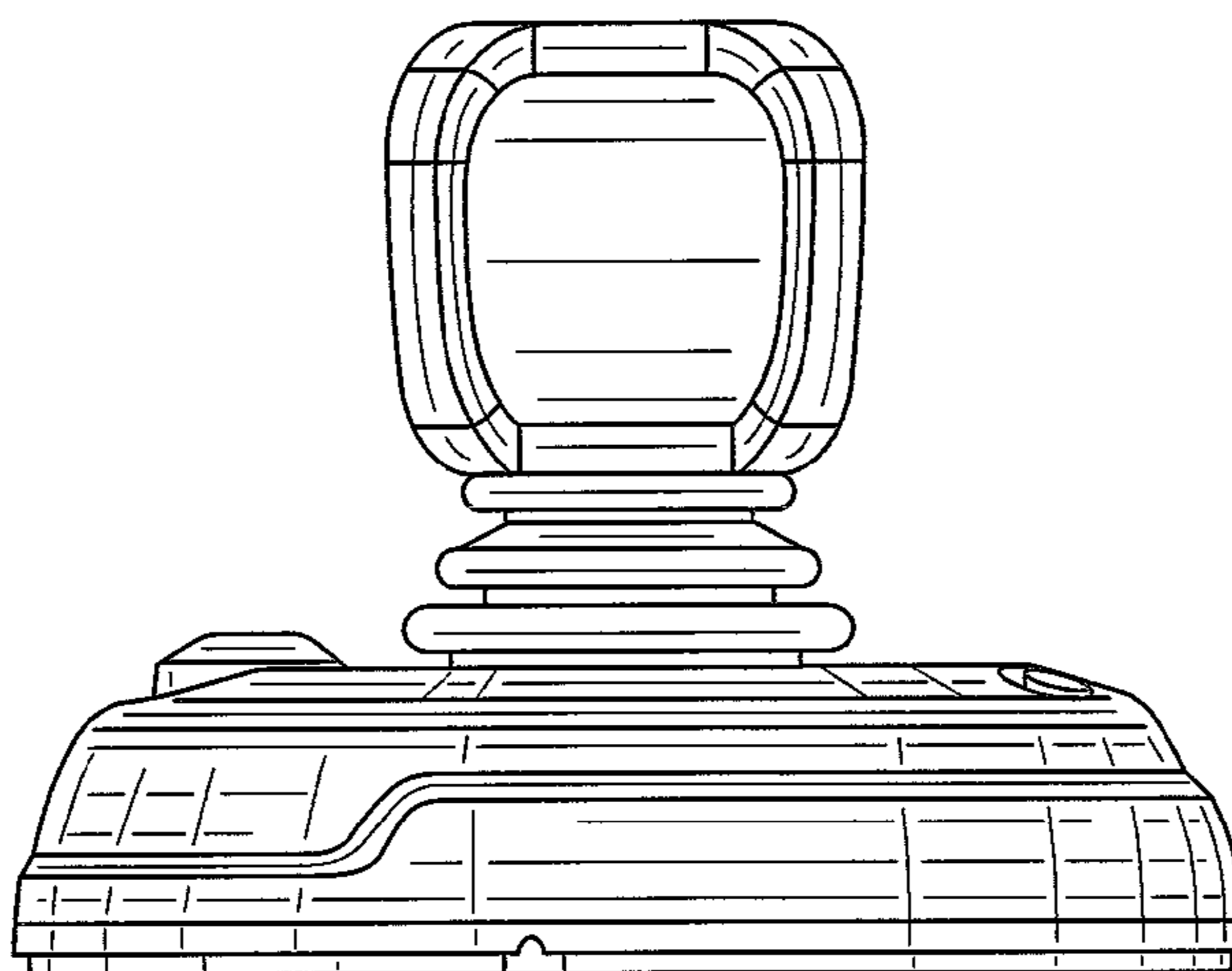


FIG. 12

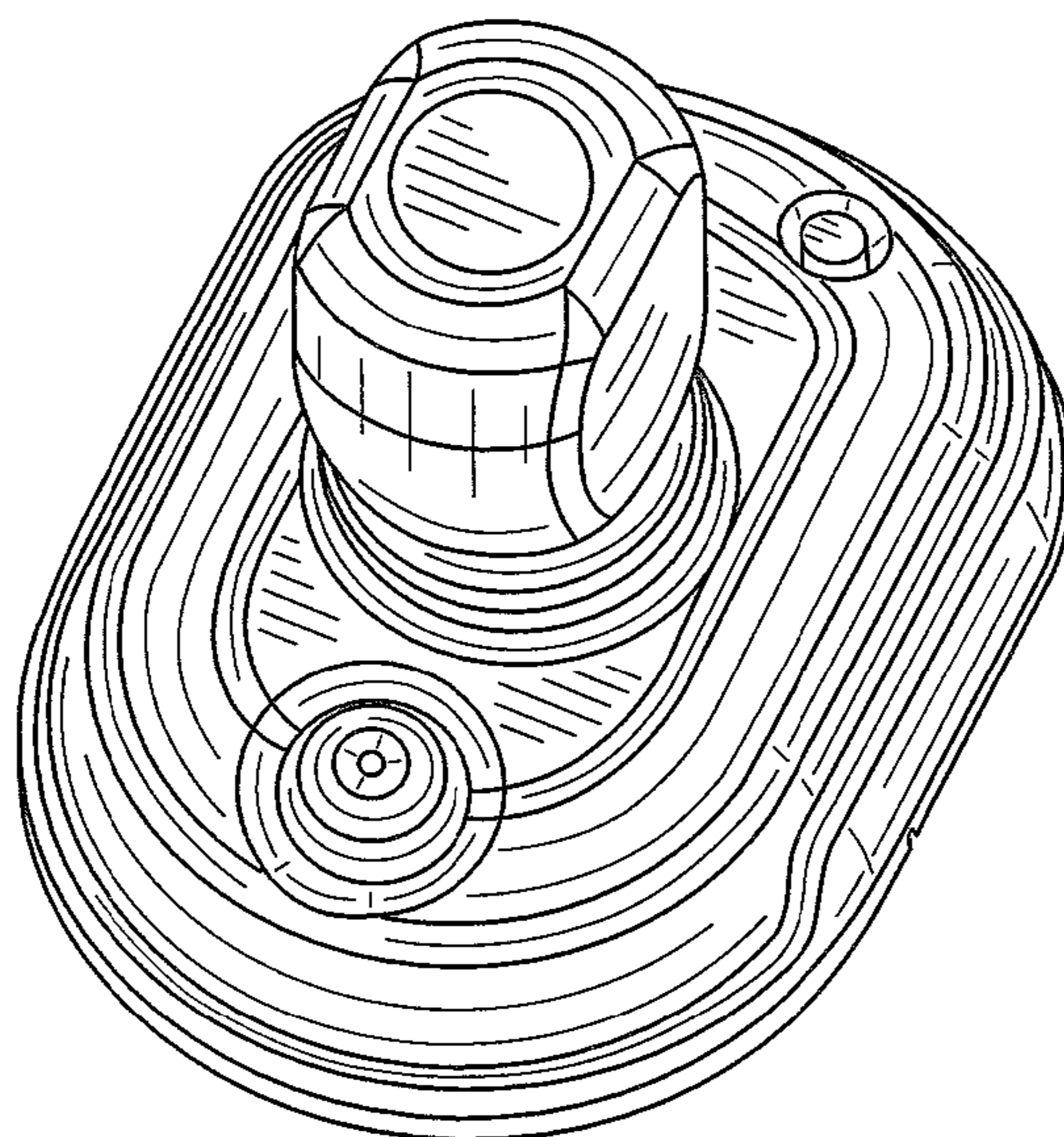


FIG. 13

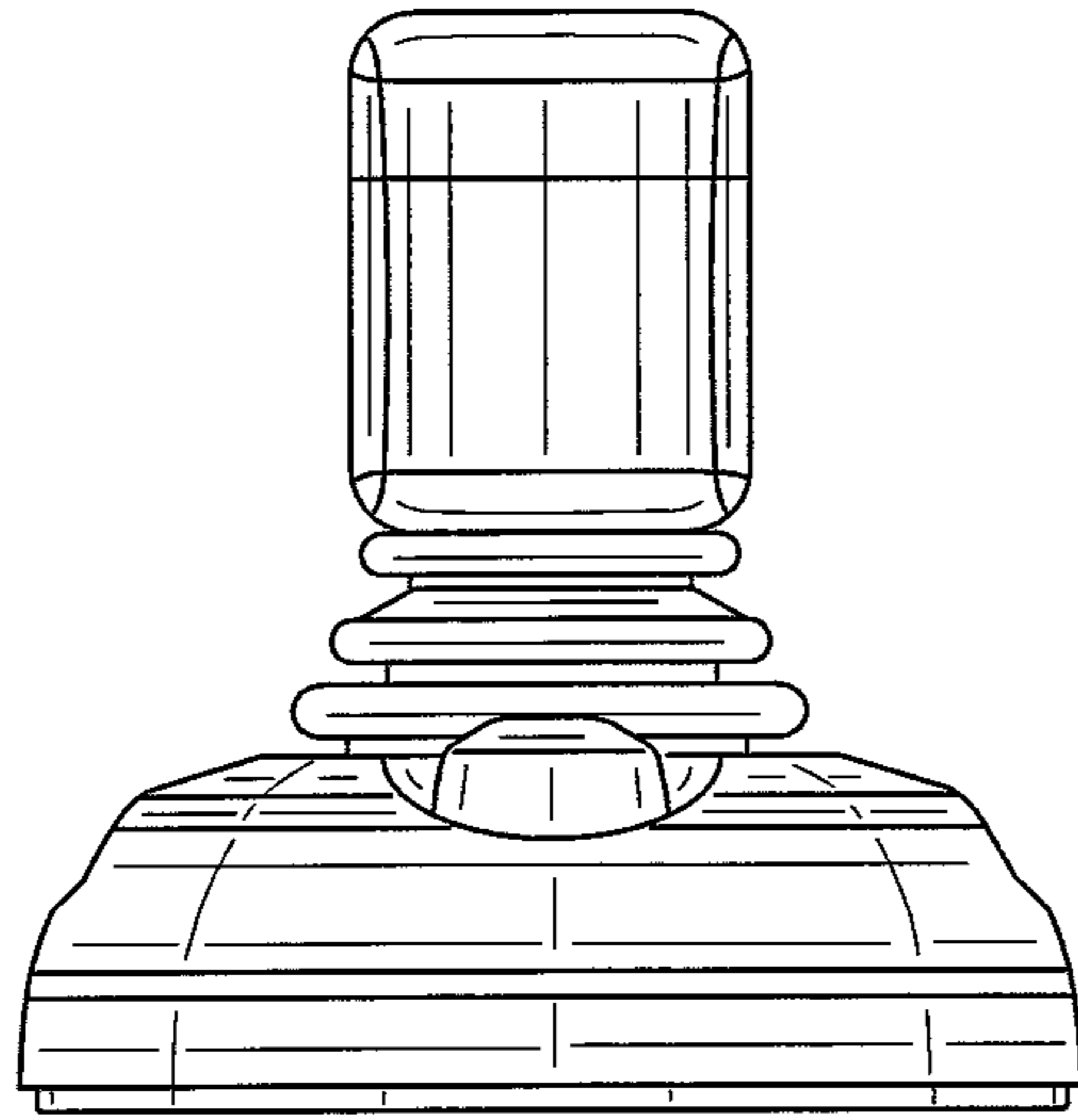


FIG. 14

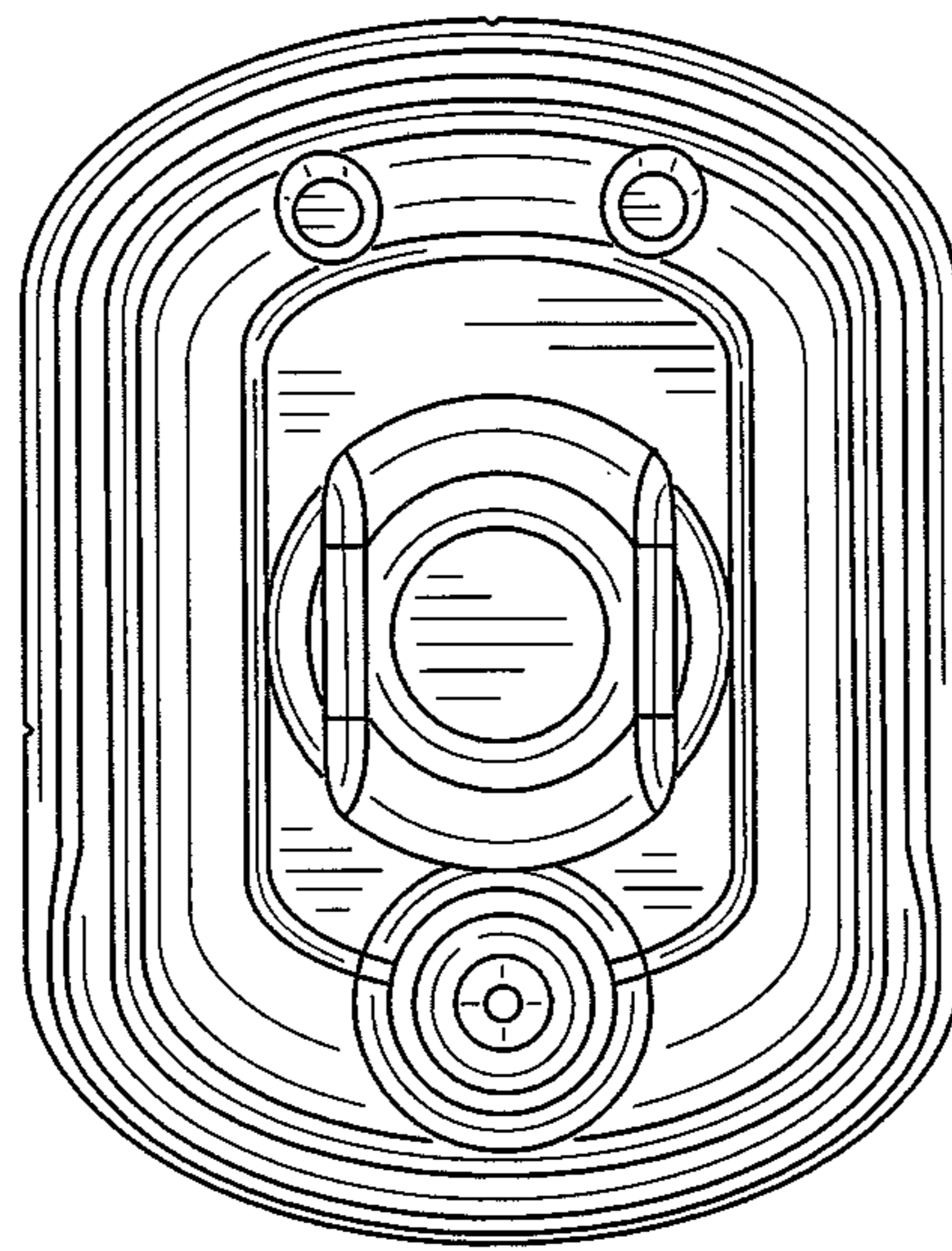


FIG. 15

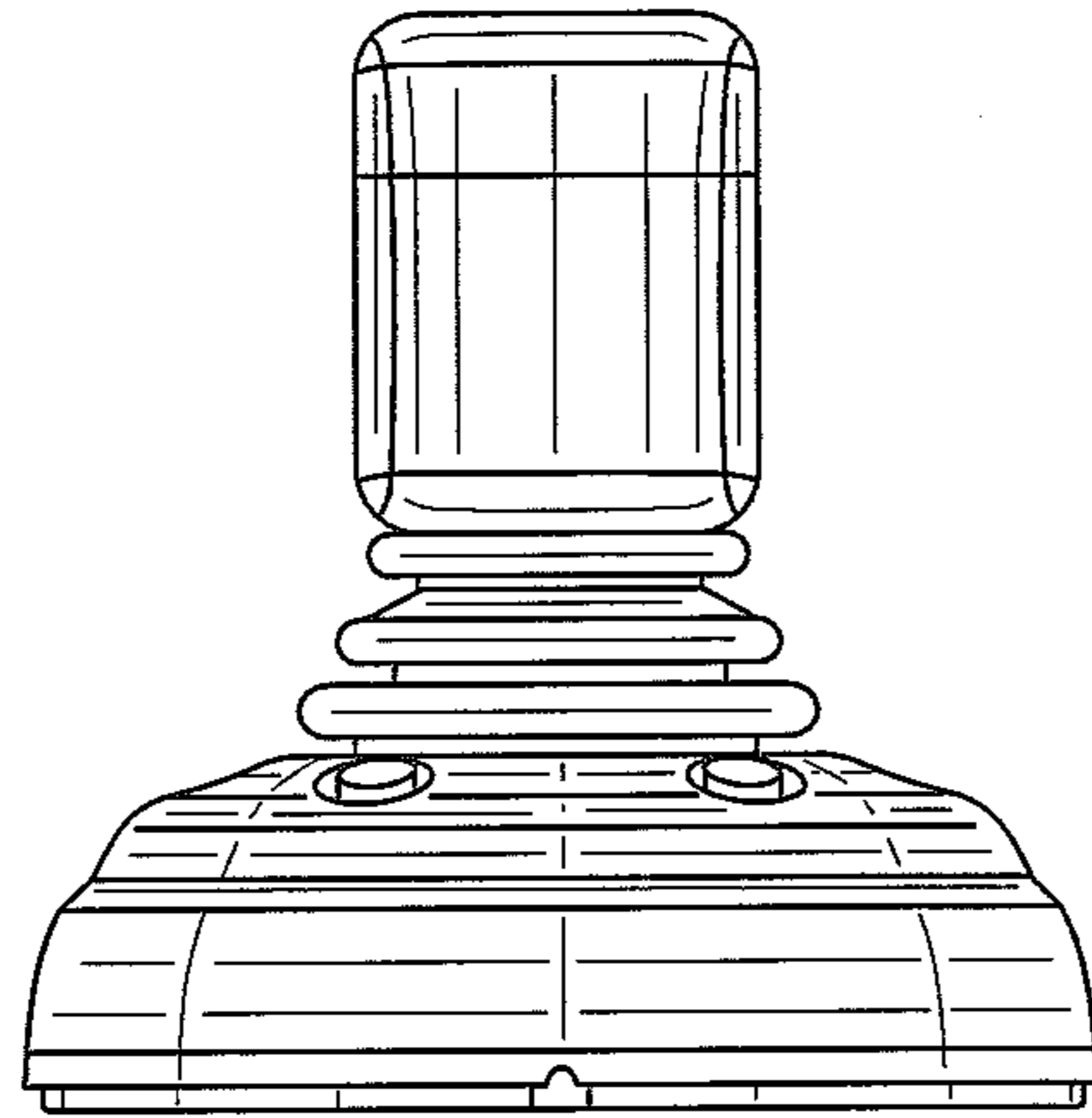


FIG. 16

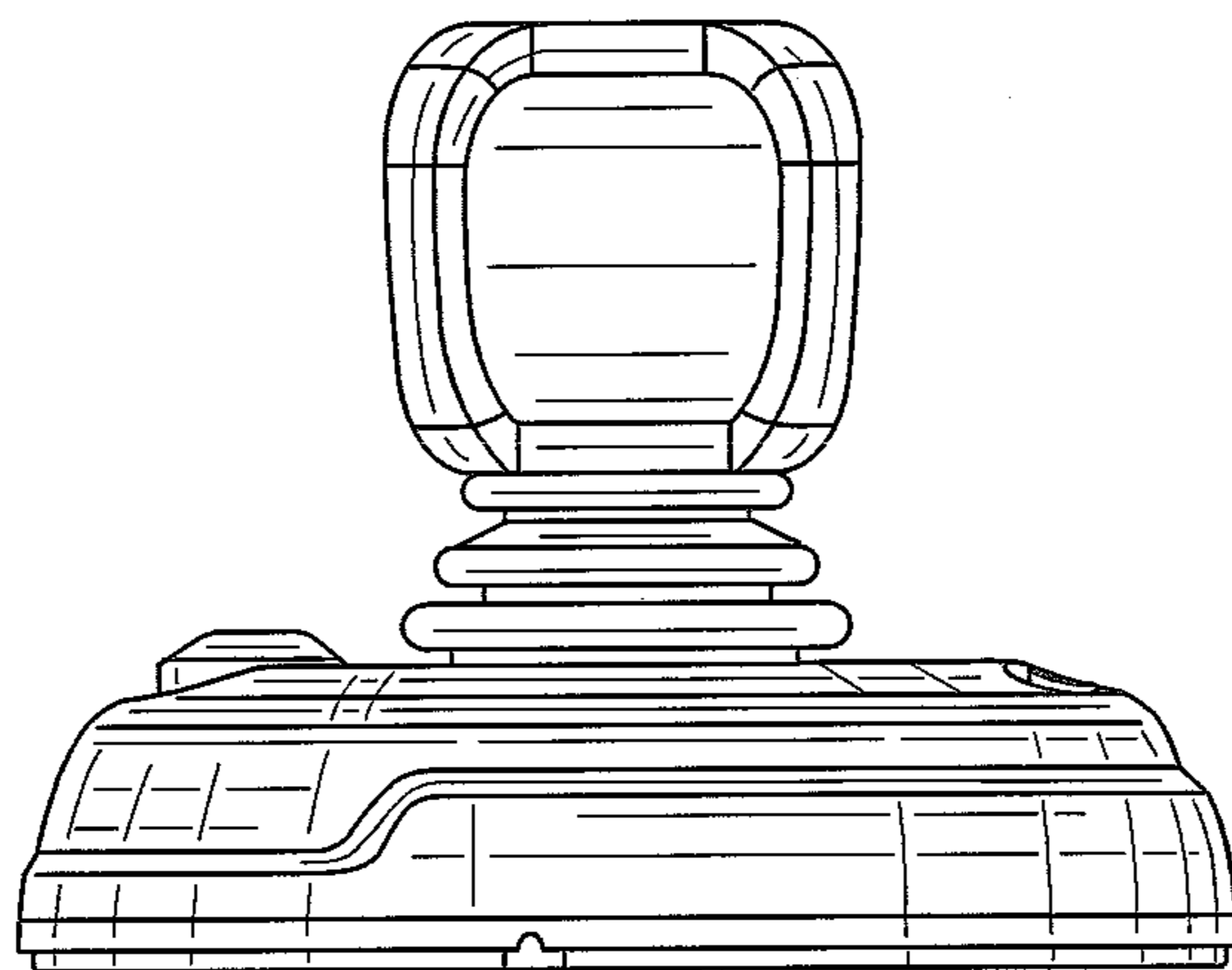


FIG. 17

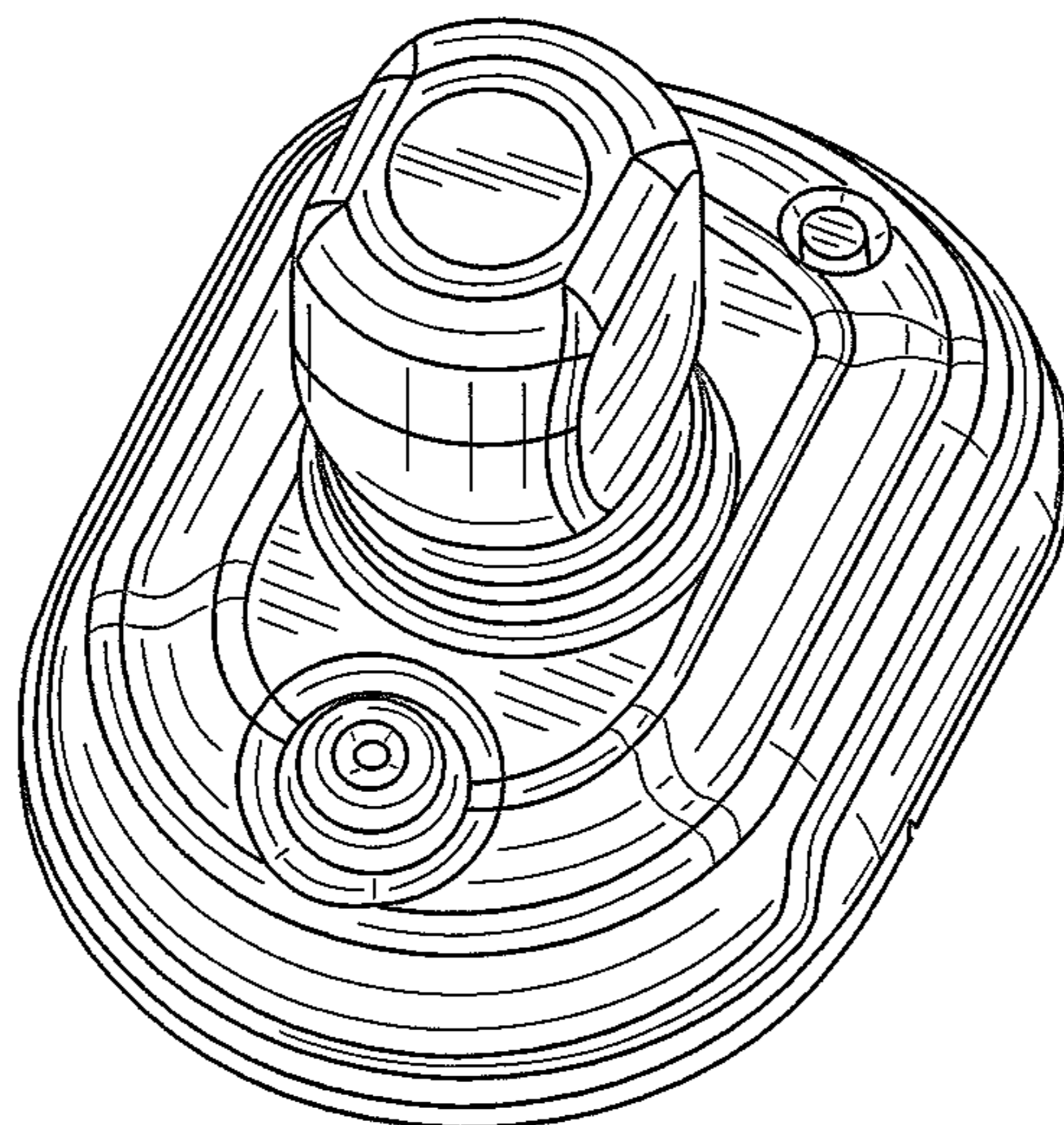


FIG. 18

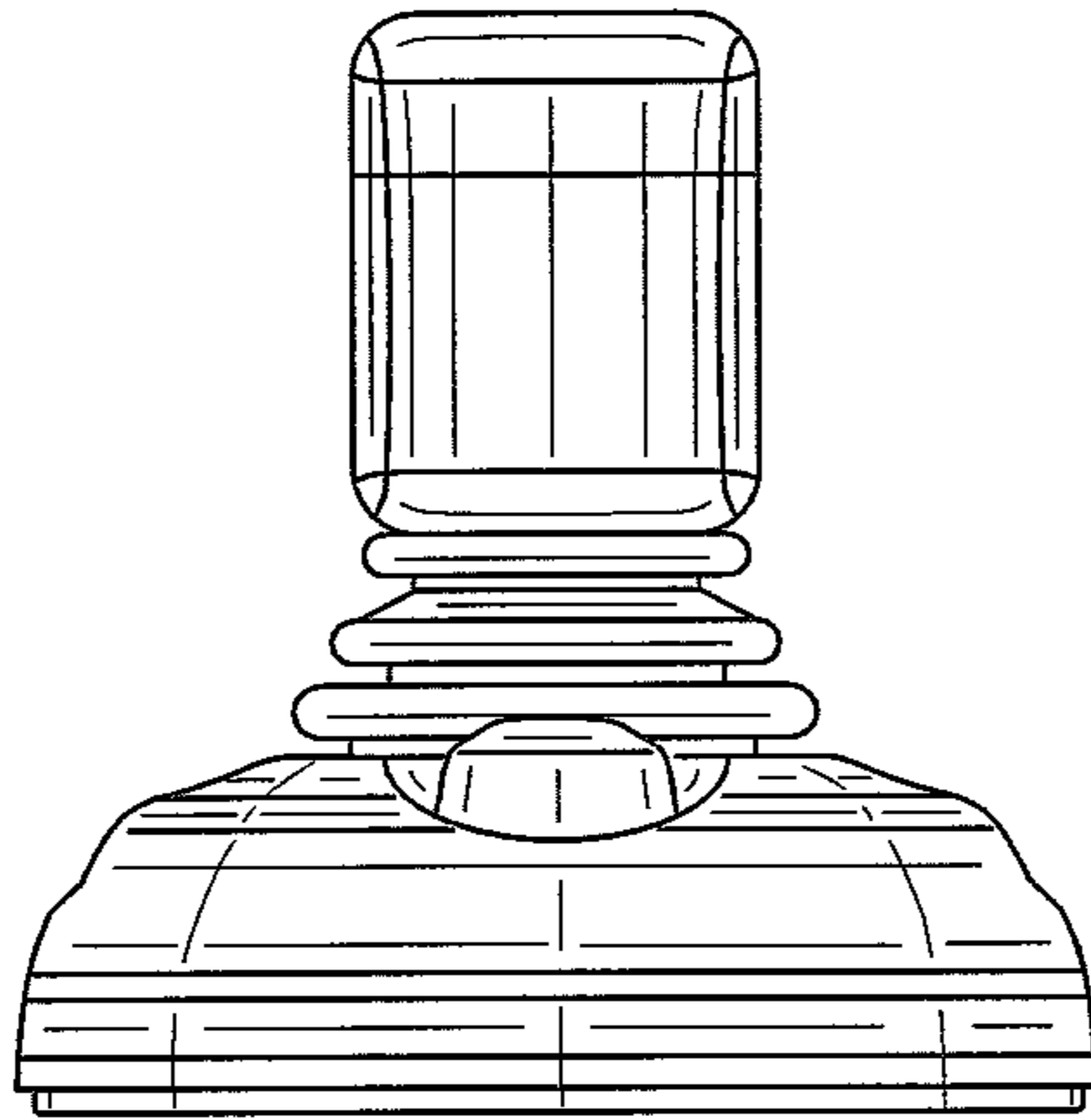


FIG. 19

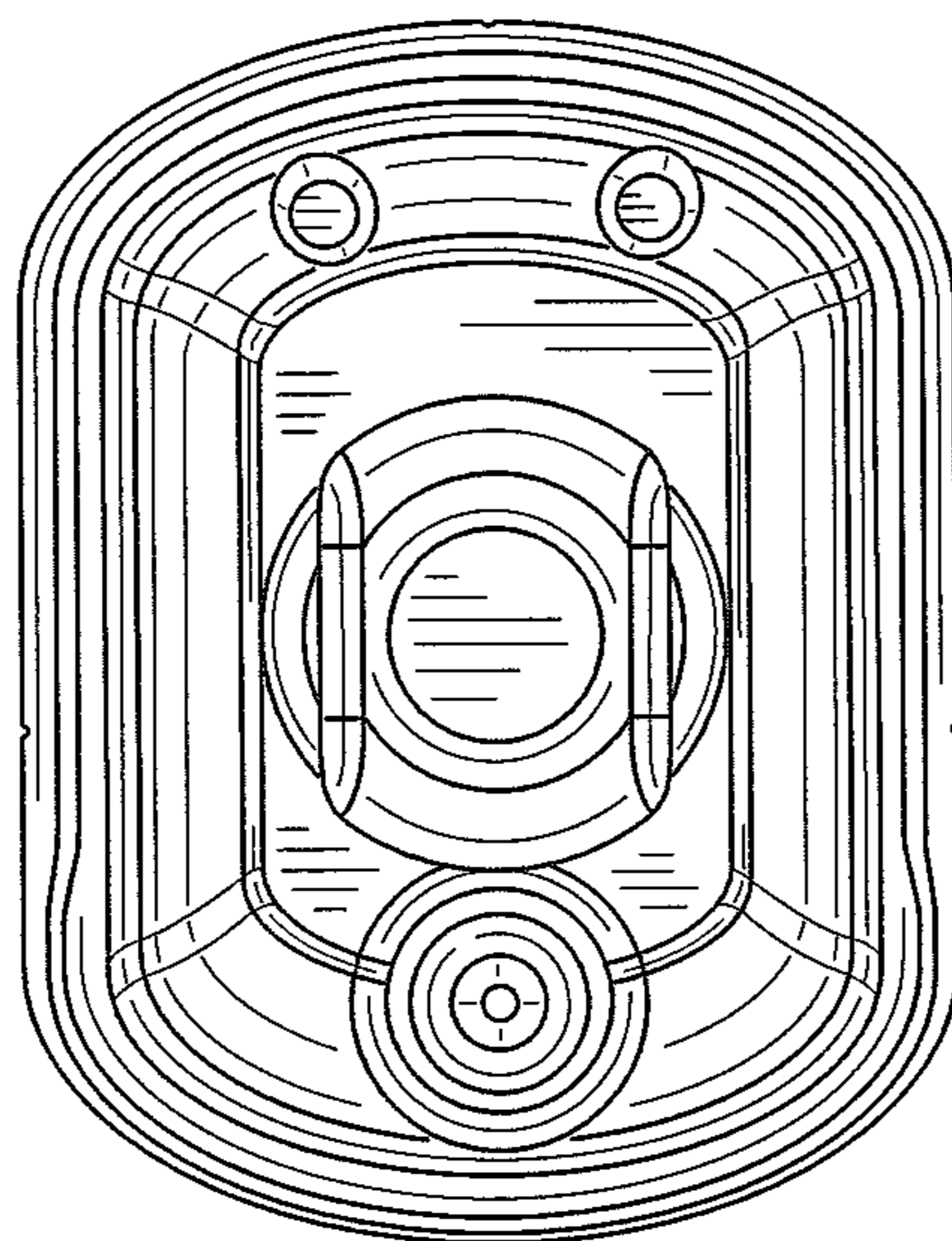


FIG. 20