



US00D735721S

(12) **United States Design Patent**
Mar

(10) **Patent No.:** **US D735,721 S**
(45) **Date of Patent:** **** Aug. 4, 2015**

(54) **VIDEO GAME HANDHELD CONSOLE**

(71) Applicant: **Steven Mar**, South El Monte, CA (US)

(72) Inventor: **Steven Mar**, South El Monte, CA (US)

(73) Assignee: **Hyperkin Inc.**, South El Monte, CA (US)

(**) Term: **14 Years**

(21) Appl. No.: **29/495,821**

(22) Filed: **Jul. 3, 2014**

(51) **LOC (10) Cl.** **14-03**

(52) **U.S. Cl.**
USPC **D14/401; D21/333**

(58) **Field of Classification Search**
USPC D14/399-401, 412-416; D21/324, 333;
273/148 B; 463/1, 29-39, 46, 47;
345/156-161, 905

CPC A63F 13/00; A63F 13/02; A63F 13/06;
A63F 9/24; G06F 17/00; G06F 19/00
See application file for complete search history.

(56) **References Cited**

U.S. PATENT DOCUMENTS

D376,826 S	*	12/1996	Ashida	D14/401
D380,238 S	*	6/1997	Tyler	D14/401
D393,291 S	*	4/1998	Kung	D14/401
D394,885 S	*	6/1998	Chan	D14/401

D415,485 S	*	10/1999	Leifer et al.	D14/401
6,001,015 A	*	12/1999	Nishiumi et al.	463/38
6,171,191 B1	*	1/2001	Ogata et al.	463/38
6,231,444 B1	*	5/2001	Goto et al.	463/37
6,342,009 B1	*	1/2002	Soma	463/38
D500,319 S	*	12/2004	Wada	D14/401
D504,430 S	*	4/2005	Takahashi et al.	D14/401
D519,118 S	*	4/2006	Woodward	D14/401
D613,341 S		4/2010	Mar et al.		
7,854,655 B2	*	12/2010	Mao et al.	463/30
D656,554 S		3/2012	Mar		
D660,789 S		5/2012	Mar		
D702,771 S		4/2014	Mar		

* cited by examiner

Primary Examiner — Prabhakar Deshmukh

(74) *Attorney, Agent, or Firm* — Edward C. Schewe

(57) **CLAIM**

The ornamental design for a video game handheld console, as shown and described.

DESCRIPTION

FIG. 1 is a front perspective view of a video game handheld console showing my new design.

FIG. 2 is a bottom perspective view thereof.

FIG. 3 is a top view thereof.

FIG. 4 is a rear elevation view thereof.

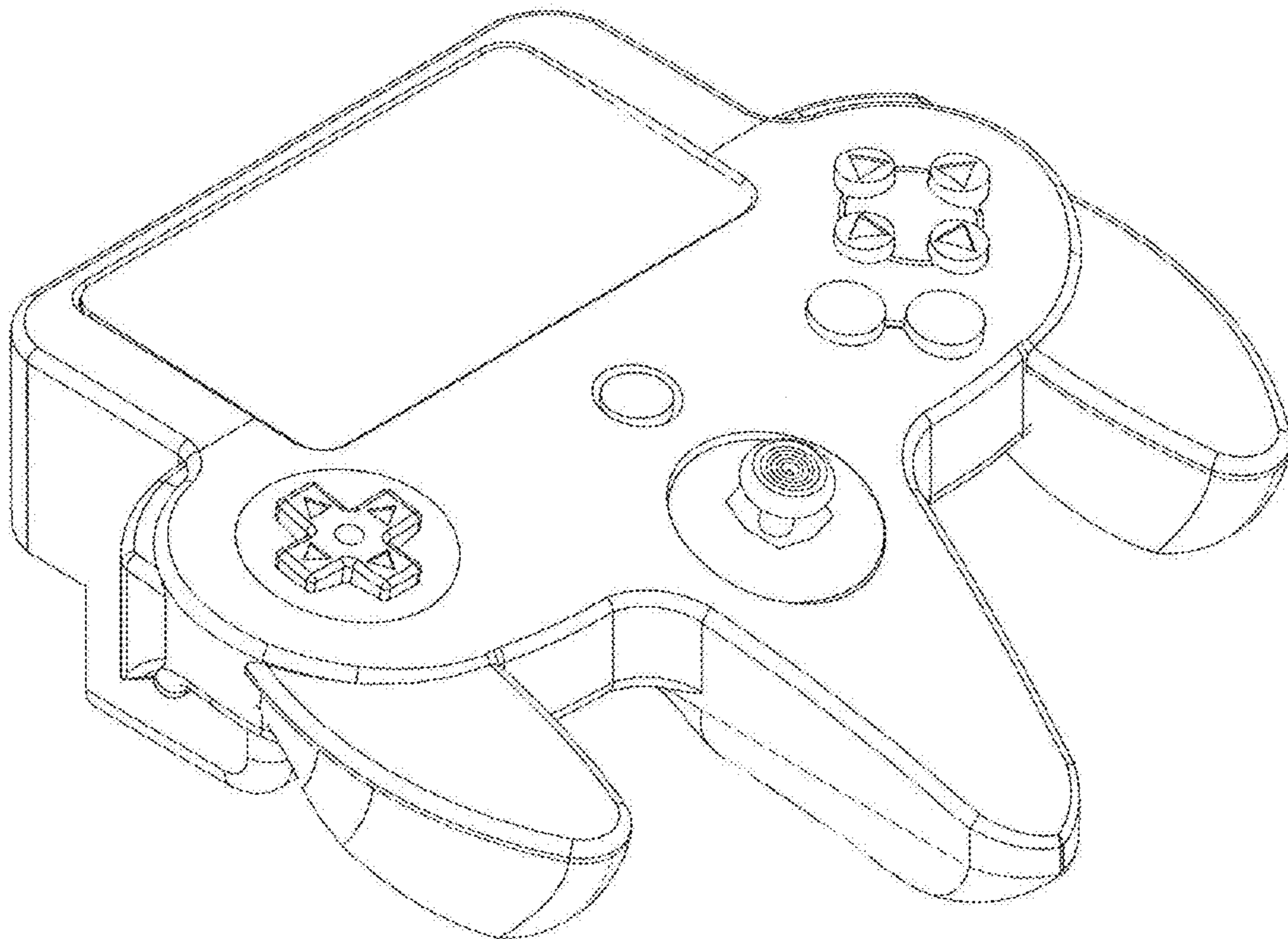
FIG. 5 is a bottom view thereof.

FIG. 6 is a front elevation view thereof.

FIG. 7 is a right side elevation view thereof; and,

FIG. 8 is a left side elevation view thereof.

1 Claim, 8 Drawing Sheets



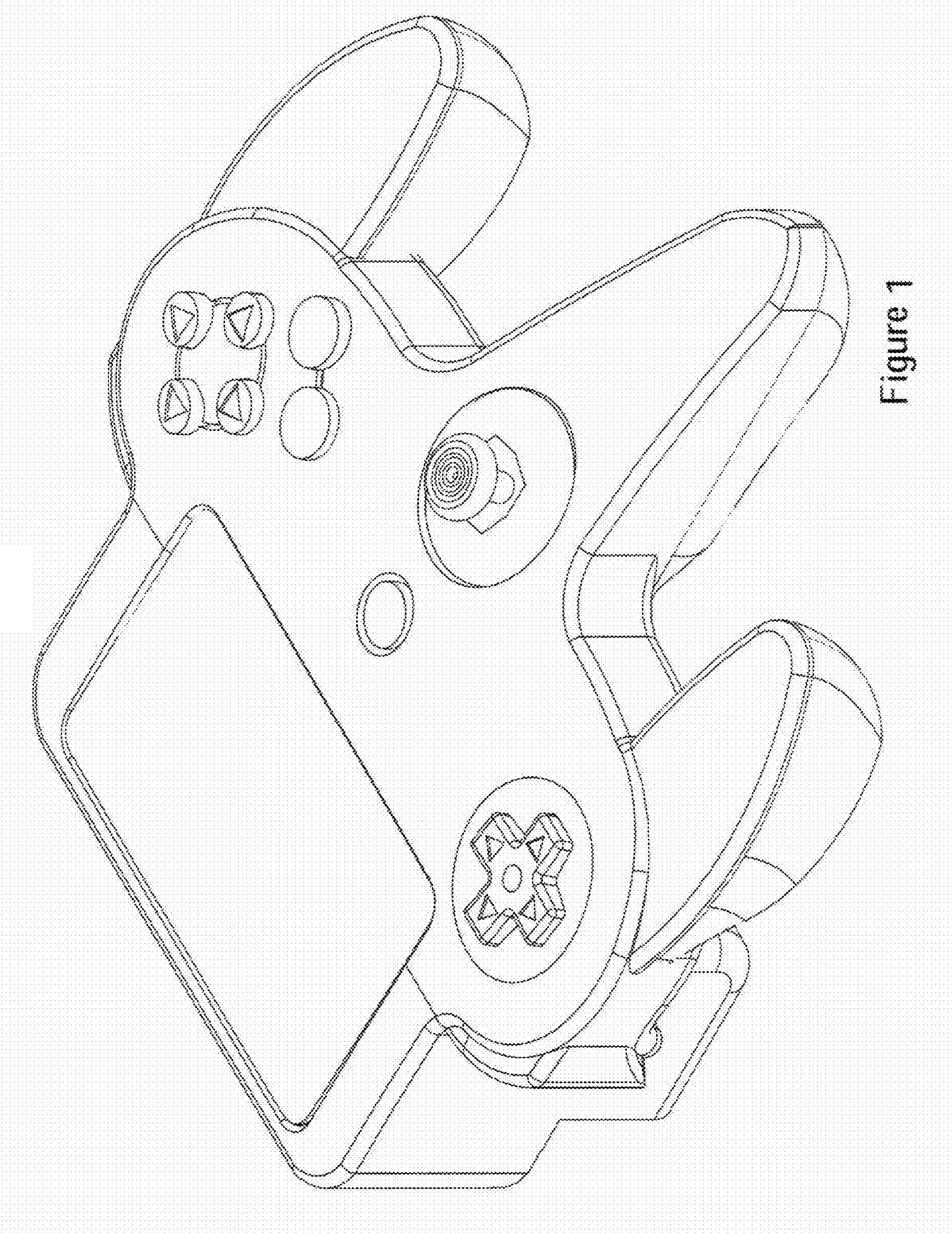


Figure 1

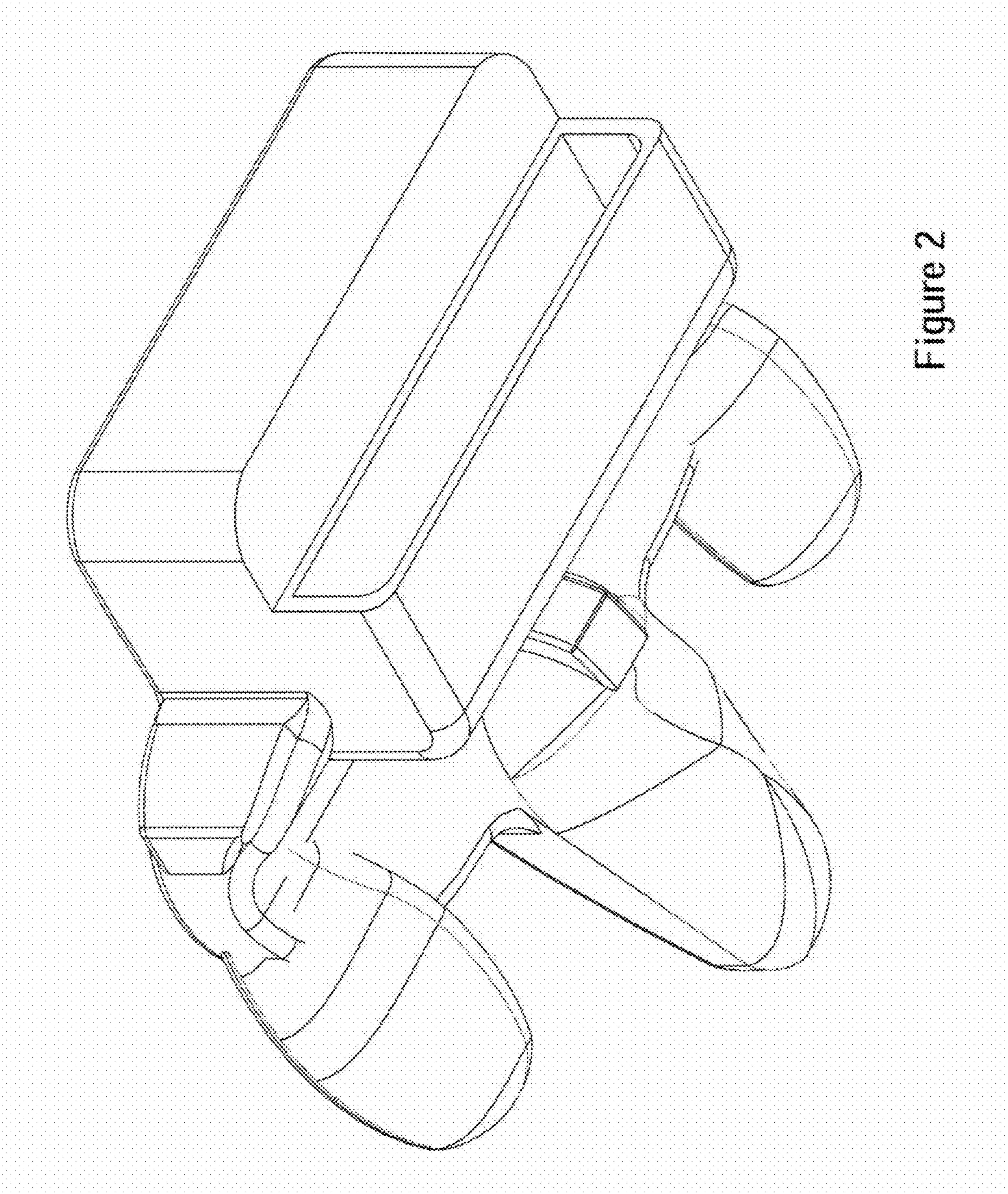


Figure 2

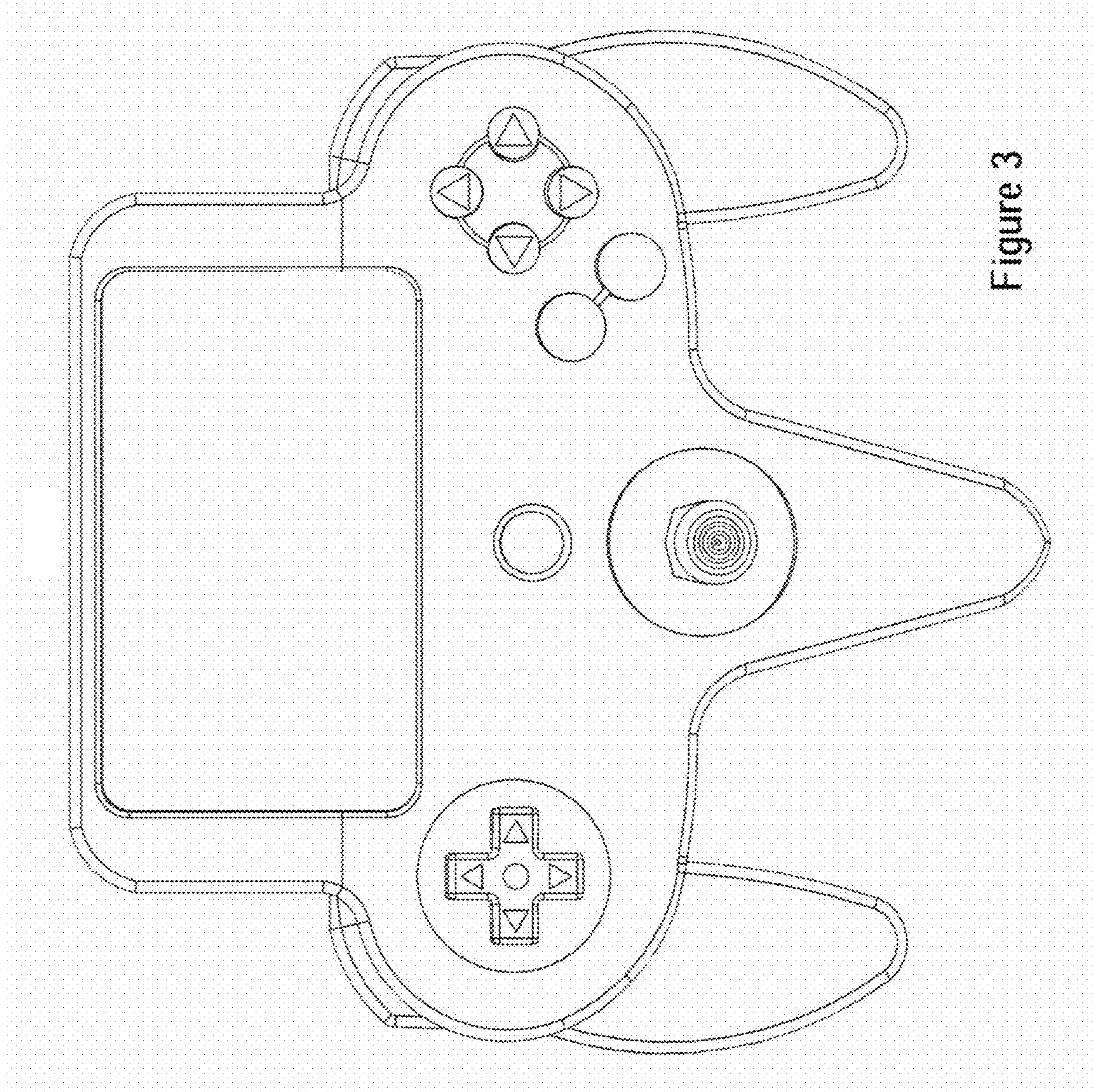


Figure 3

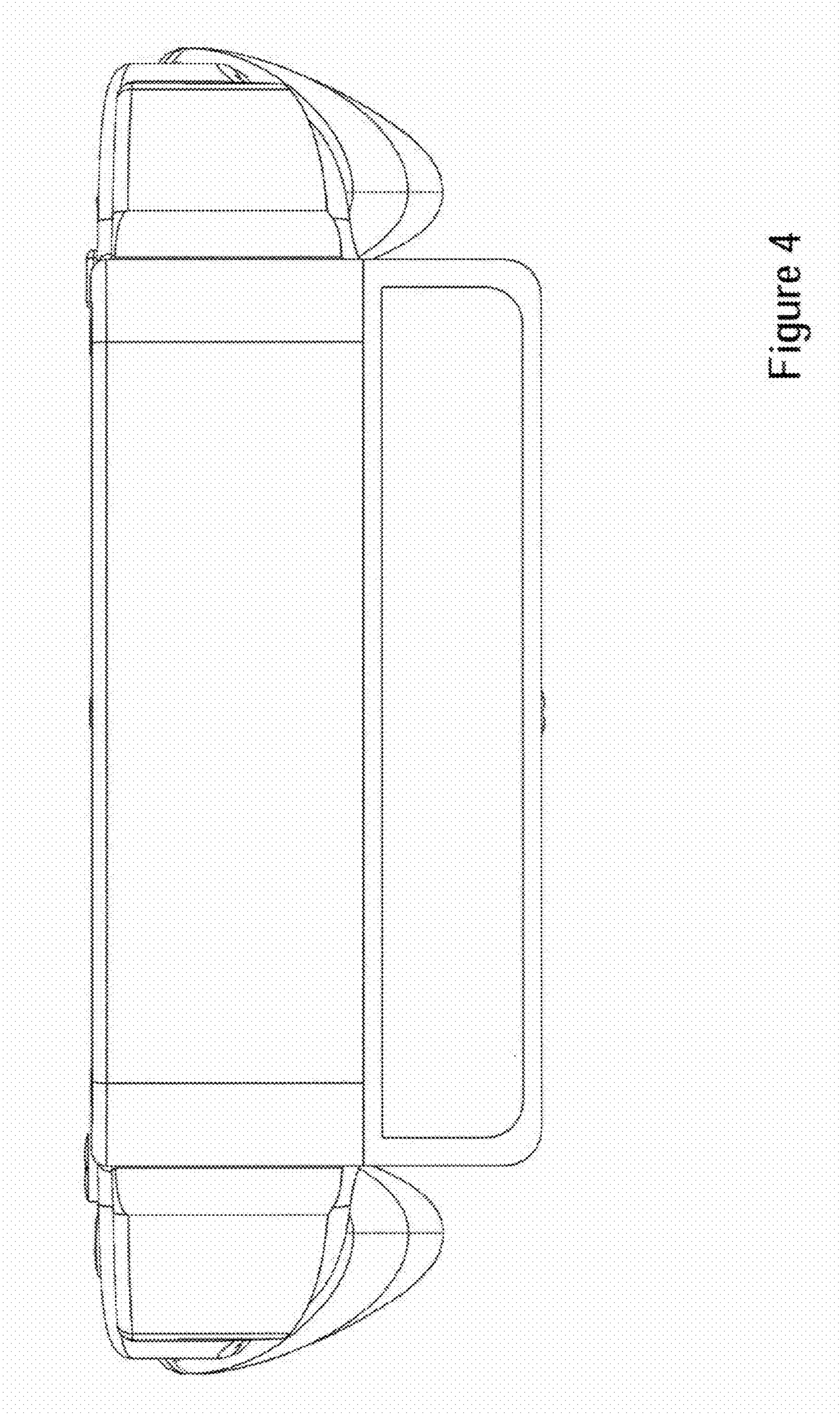


Figure 4

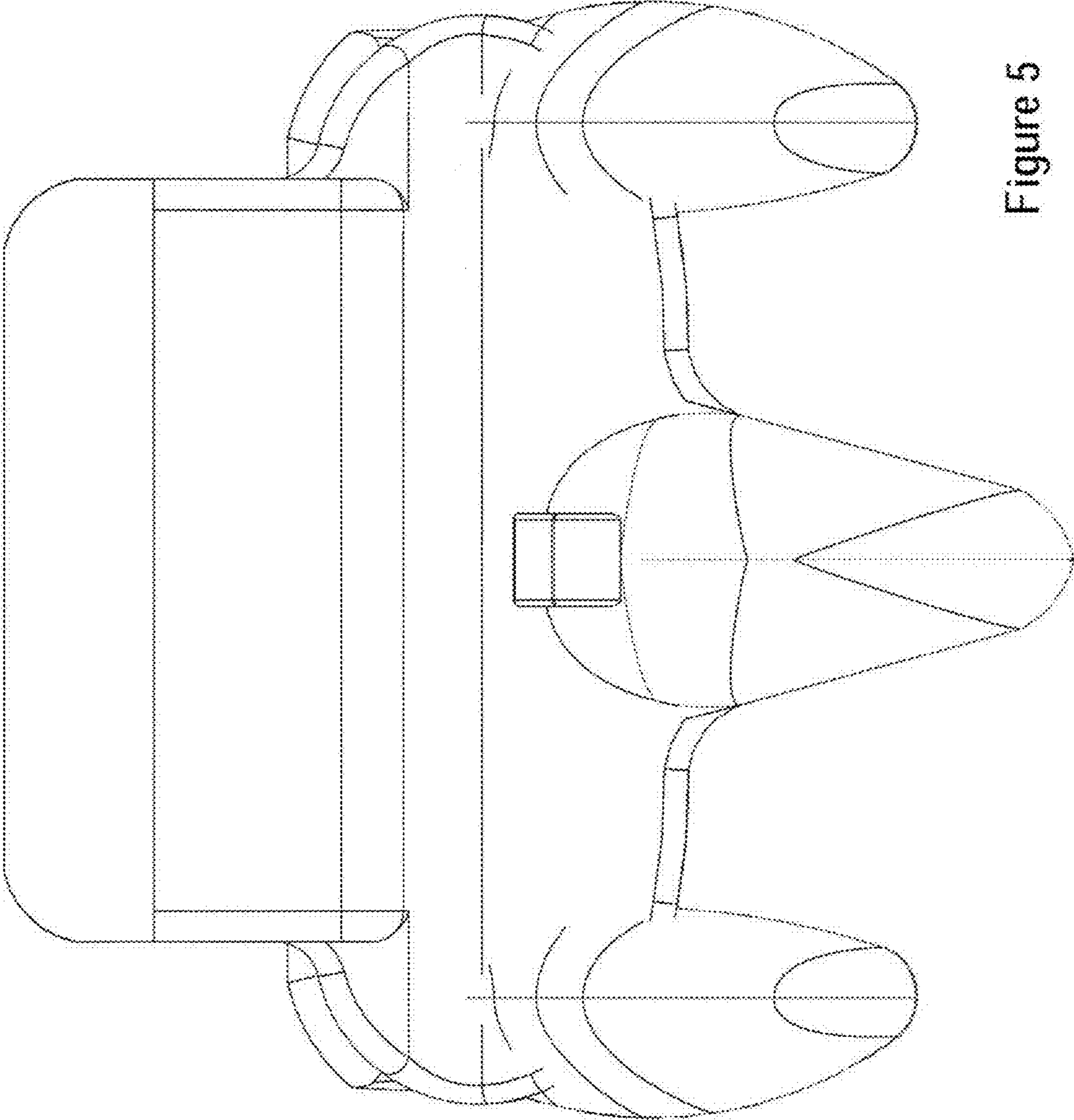


Figure 5

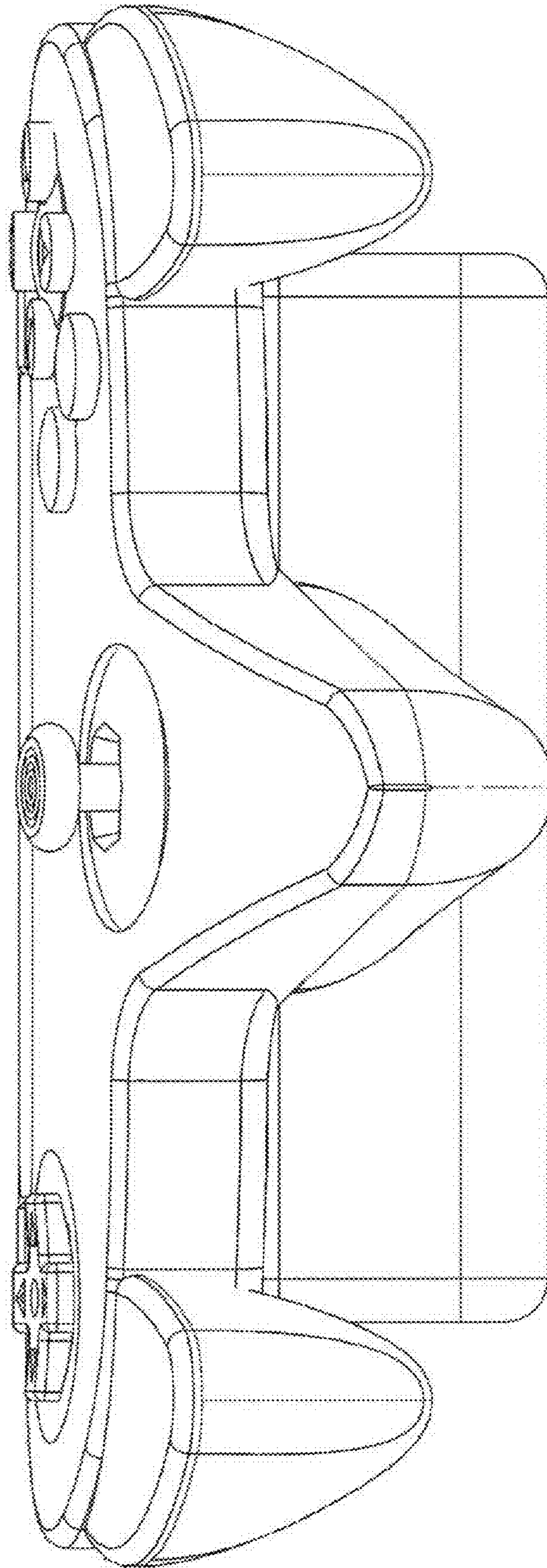


Figure 6

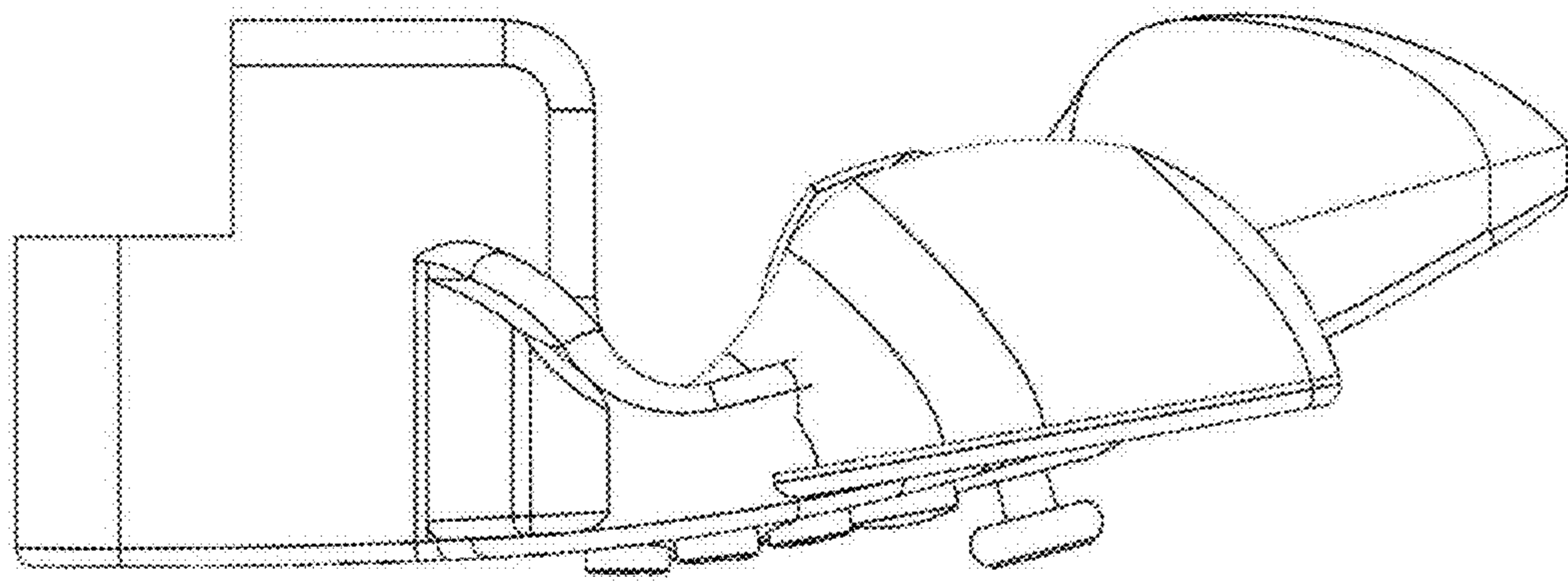


Figure 7

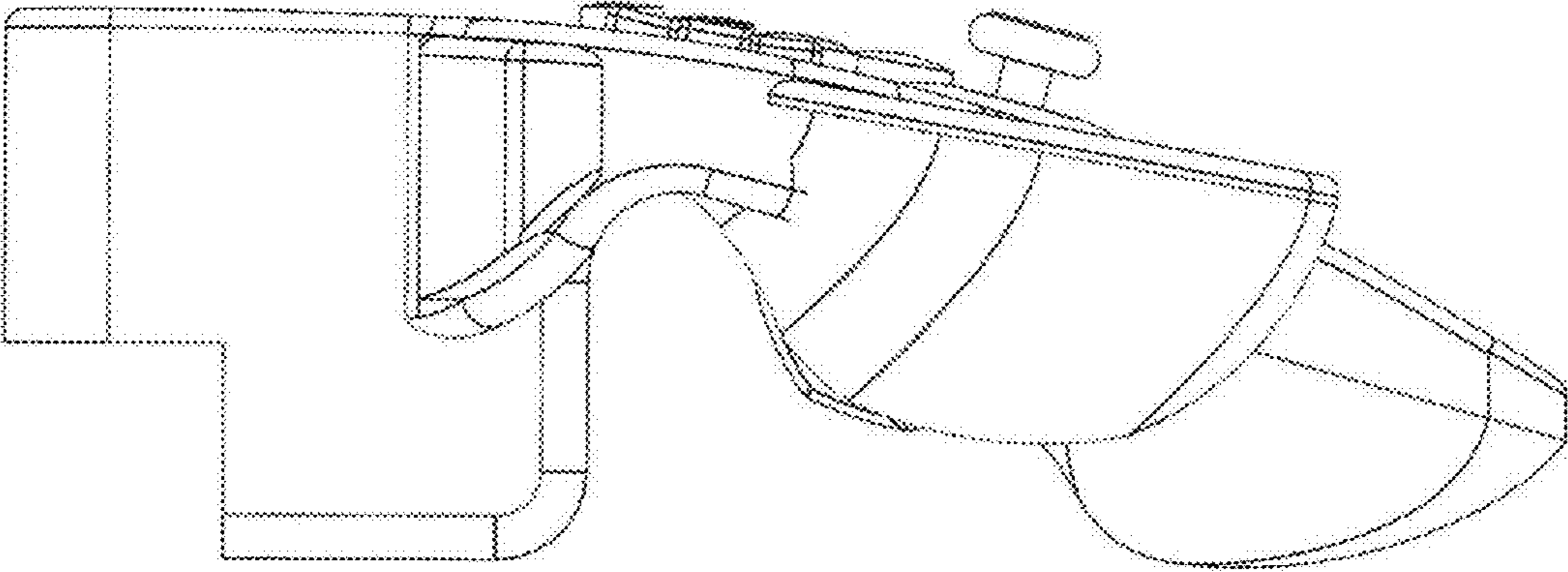


Figure 8