



US00D735716S

(12) **United States Design Patent**
Lee et al.

(10) **Patent No.:** **US D735,716 S**
(45) **Date of Patent:** **** Aug. 4, 2015**

(54) **GLASSES-SHAPED HEADSET**
(71) Applicant: **Samsung Electronics Co., Ltd.**,
Suwon-si, Gyeonggi-do (KR)
(72) Inventors: **Sang-Chul Lee**, Namyangju-si (KR);
Kyung-Jun Kwon, Hanam-si (KR);
Sang-Min Hyun, Seoul (KR)
(73) Assignee: **SAMSUNG ELECTRONICS CO., LTD.** (KR)
(**) Term: **14 Years**
(21) Appl. No.: **29/495,718**
(22) Filed: **Jul. 3, 2014**
(30) **Foreign Application Priority Data**

Jan. 3, 2014 (KR) 30-2014-0000368
(51) **LOC (10) Cl.** **14-02**
(52) **U.S. Cl.**
USPC **D14/372**
(58) **Field of Classification Search**
USPC D14/372, 300, 126, 330, 432, 433, 496;
D16/300, 309, 314; D24/174;
D13/133, 154, 156; 351/158; 345/7, 8,
345/9; 359/630, 633
CPC G09G 5/00
See application file for complete search history.

(56) **References Cited**
U.S. PATENT DOCUMENTS
2,999,136 A * 9/1961 Holt et al. 381/323
3,649,106 A * 3/1972 Hirschmann, Jr. 351/117
4,673,263 A * 6/1987 Onufryk 351/158

D382,092 S * 8/1997 Daly D2/830
6,091,546 A * 7/2000 Spitzer 359/618
6,690,807 B1 * 2/2004 Meyer 381/327
D533,893 S * 12/2006 Canavan et al. D16/330
D582,957 S * 12/2008 Moritz D16/309
7,512,414 B2 * 3/2009 Jannard et al. 455/556.1
D592,612 S * 5/2009 Goyal et al. D13/174
D647,123 S * 10/2011 Cho D16/309
D649,177 S * 11/2011 Cho et al. D16/309
D659,740 S * 5/2012 Olsson et al. D16/300
D701,557 S * 3/2014 Lee et al. D16/309
D708,181 S * 7/2014 Olsson et al. D14/372
D711,373 S * 8/2014 Lee et al. D14/372
D718,305 S * 11/2014 Olsson et al. D14/372
2009/0201460 A1 * 8/2009 Blum et al. 351/158
2010/0045928 A1 * 2/2010 Levy 351/158
2011/0213664 A1 * 9/2011 Osterhout et al. 705/14.58

* cited by examiner

Primary Examiner — Paula Greene

(74) *Attorney, Agent, or Firm* — Cantor Colburn LLP

(57) **CLAIM**
The ornamental design for a glasses-shaped headset, as shown and described.

DESCRIPTION

FIG. 1 is a perspective view of a glasses-shaped headset, showing our new design;
FIG. 2 is a front view thereof;
FIG. 3 is a rear view thereof;
FIG. 4 is a side view thereof;
FIG. 5 is another side view thereof;
FIG. 6 is a top plan view thereof;
FIG. 7 is a bottom plan view thereof; and,
FIG. 8 is another perspective view thereof.
The broken lines are for environmental purpose only and form no part of the claimed design.

1 Claim, 8 Drawing Sheets

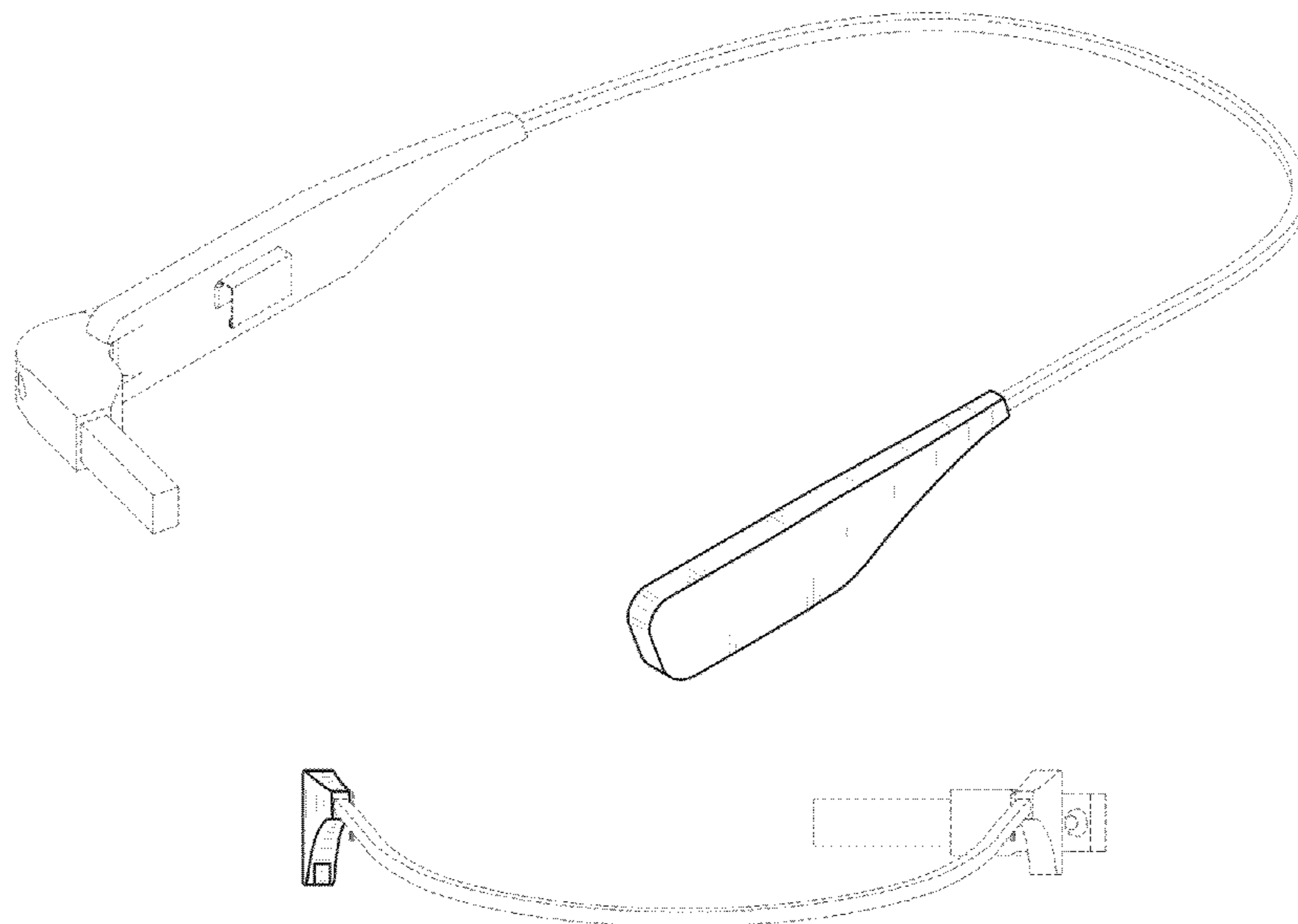


FIG. 1

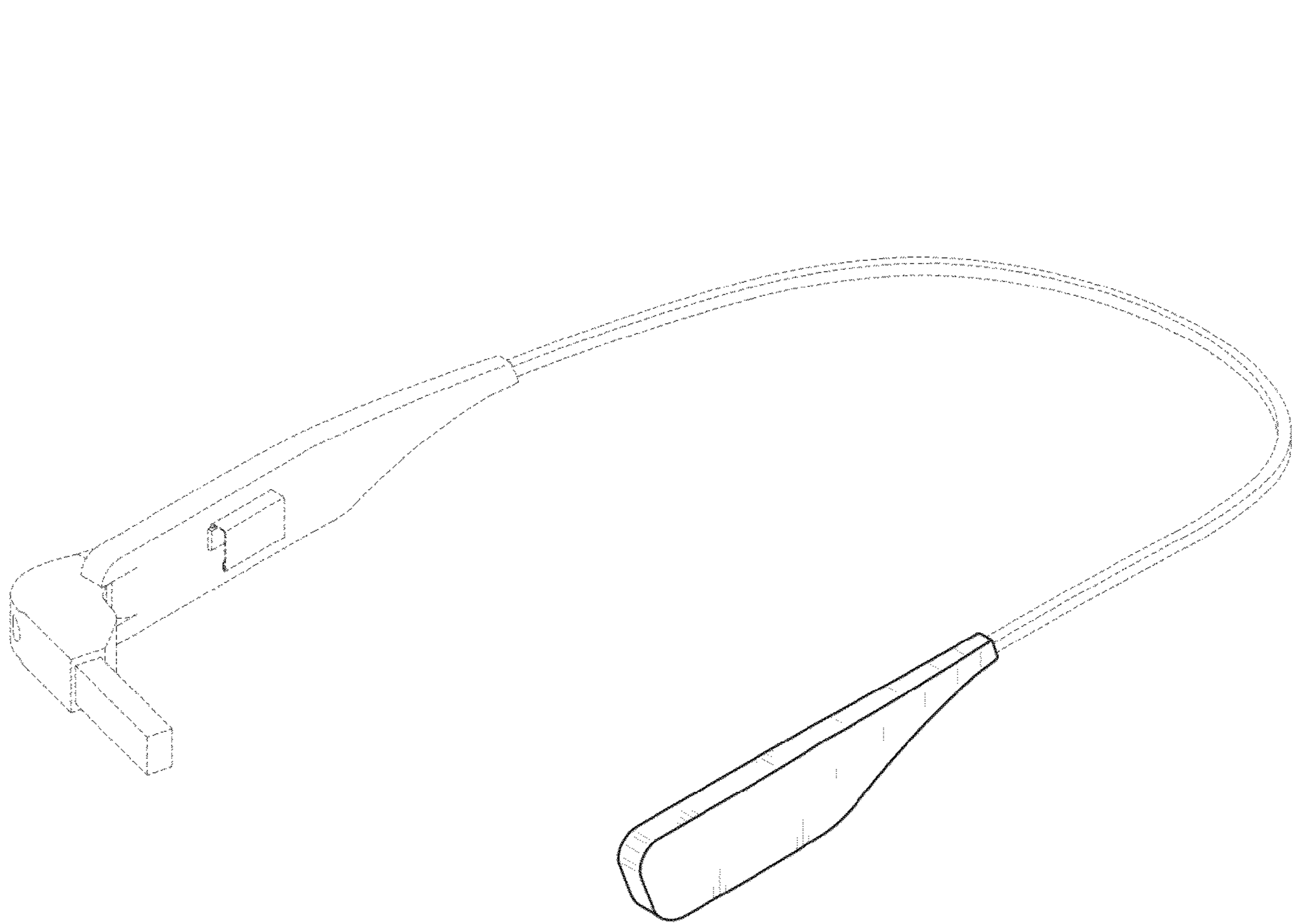


FIG. 2

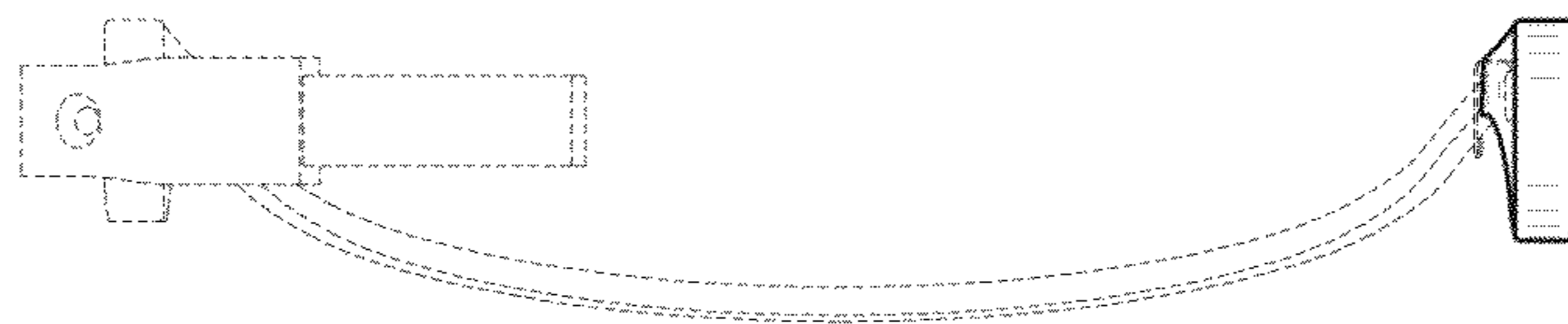


FIG. 3

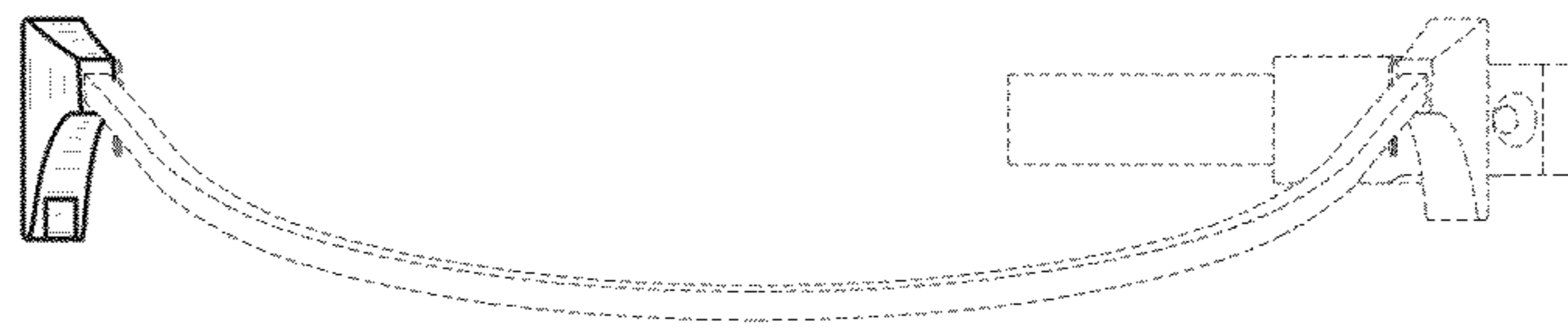


FIG. 4

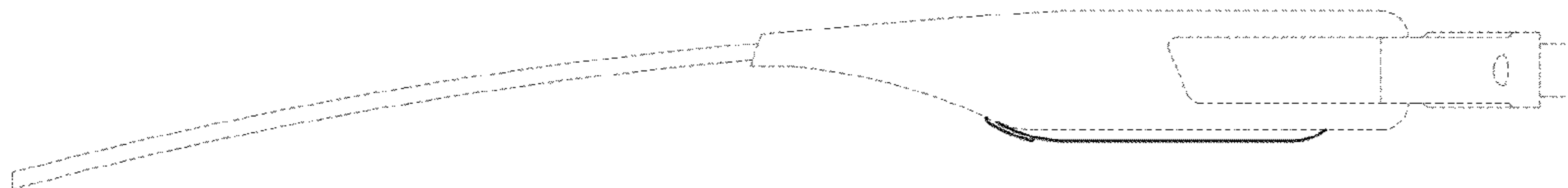


FIG. 5

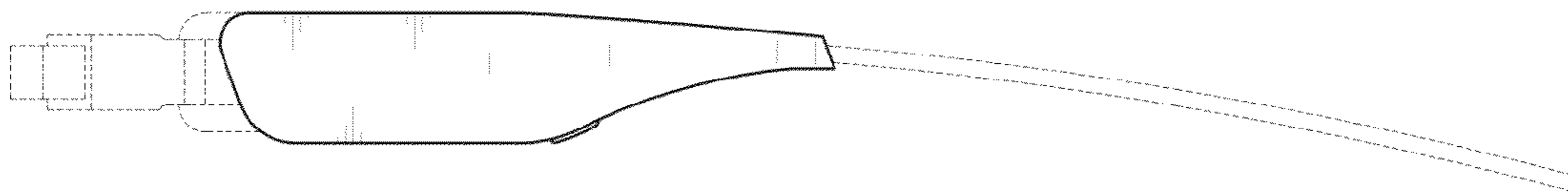


FIG. 6

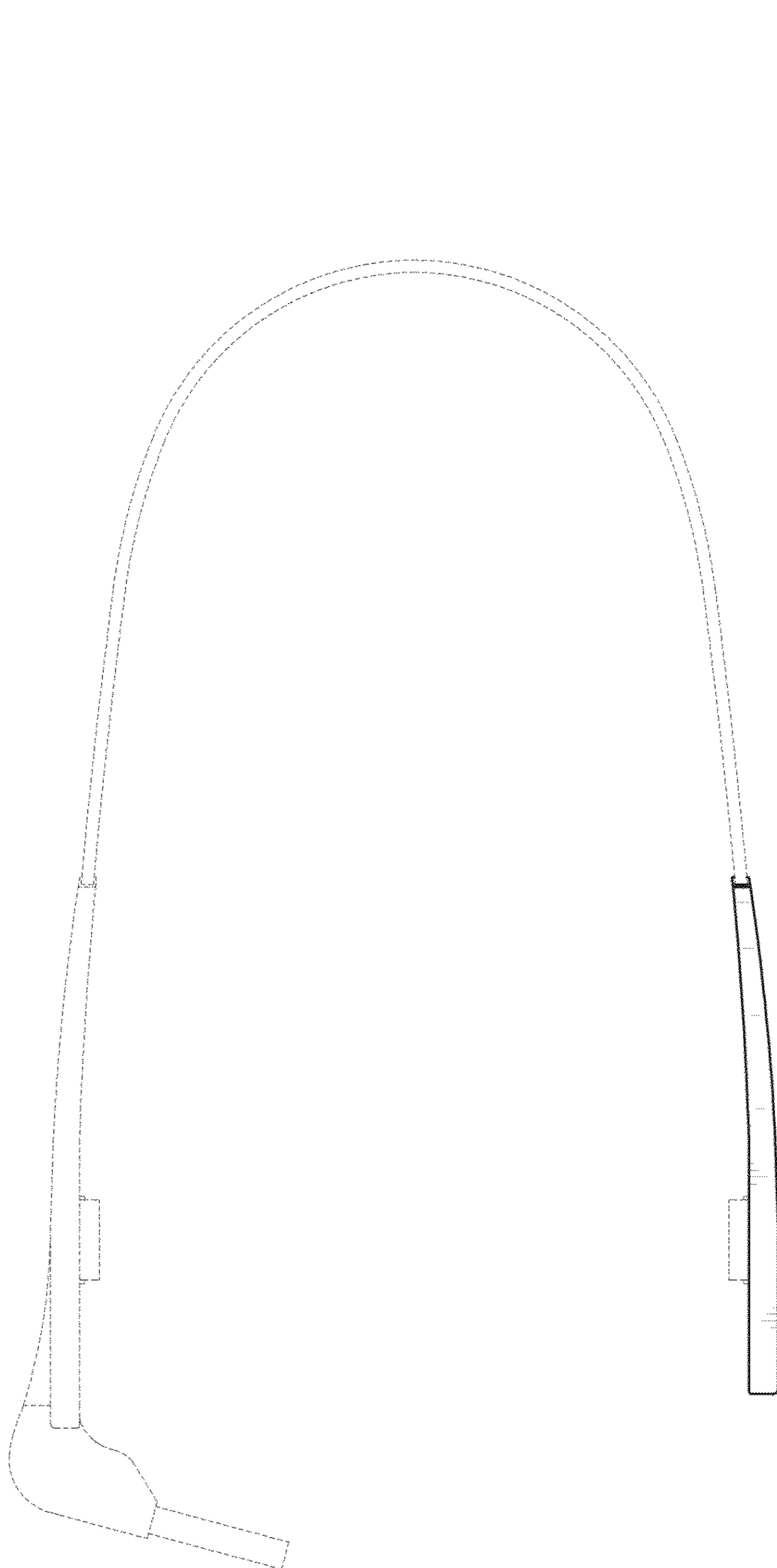


FIG. 7

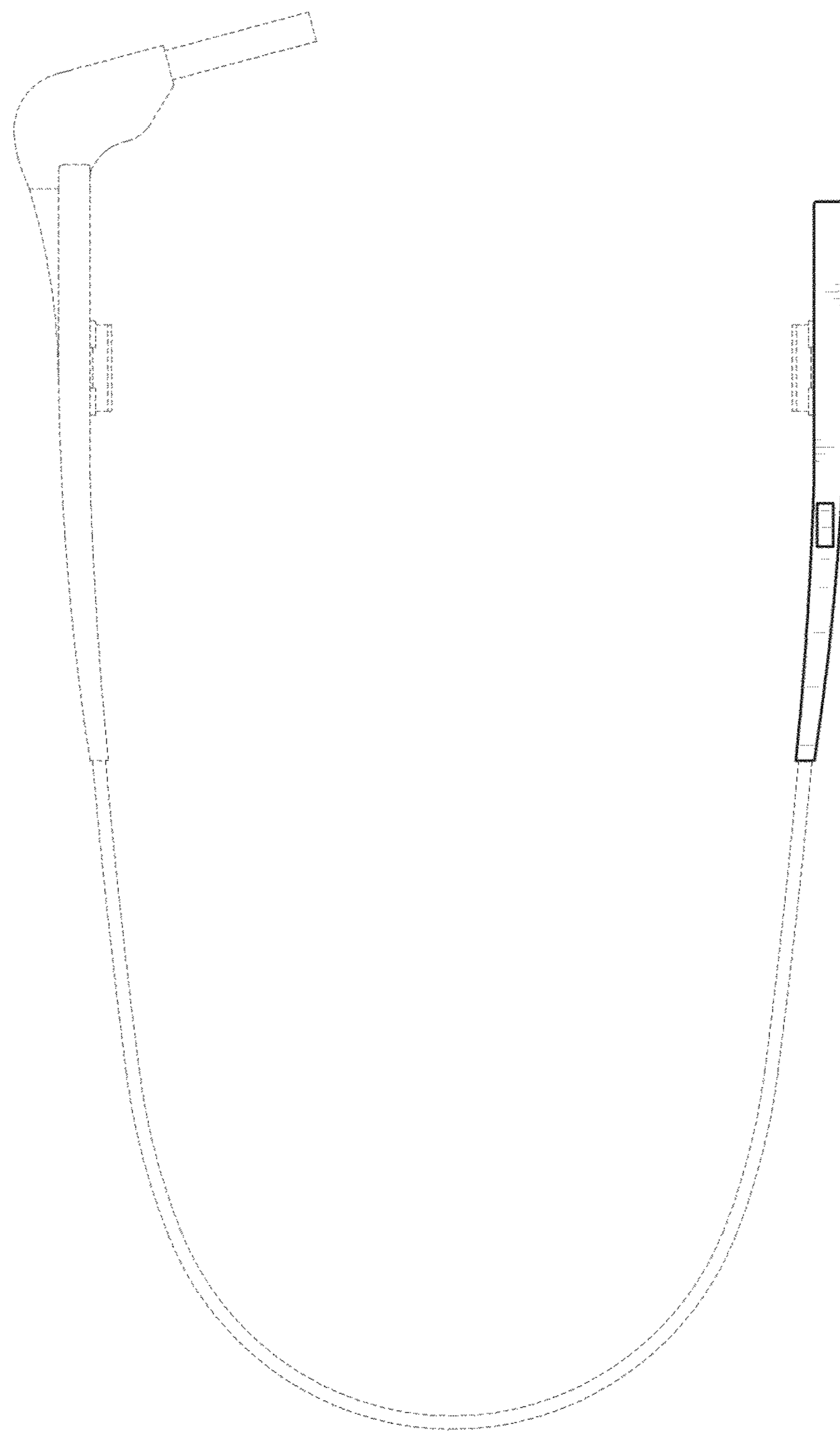


FIG. 8

