



US00D735715S

(12) **United States Design Patent**  
**Jeong et al.**

(10) **Patent No.:** **US D735,715 S**  
(45) **Date of Patent:** **\*\* Aug. 4, 2015**

(54) **PORTABLE DISPLAY DEVICE**

FOREIGN PATENT DOCUMENTS

(71) Applicant: **SAMSUNG DISPLAY CO., LTD.**,  
Yongin, Gyeonggi-Do (KR)

KR 20-0389749 Y1 7/2005  
KR 10-2010-0050318 A 5/2010

(Continued)

(72) Inventors: **Chang-Yong Jeong**, Yongin (KR);  
**Hee-Soo You**, Yongin (KR)

*Primary Examiner* — Freda S Nunn

(73) Assignee: **Samsung Display Co., Ltd.**, Yougin-si  
(KR)

(74) *Attorney, Agent, or Firm* — Christie, Parker & Hale,  
LLP

(\*\*) Term: **14 Years**

(57) **CLAIM**

The ornamental design for a portable display device, as  
shown and described.

(21) Appl. No.: **29/479,721**

**DESCRIPTION**

(22) Filed: **Jan. 17, 2014**

(30) **Foreign Application Priority Data**

Jul. 18, 2013 (KR) ..... 30-2013-0037240

(51) **LOC (10) Cl.** ..... **14-02**

(52) **U.S. Cl.**  
USPC ..... **D14/371**; D14/341

(58) **Field of Classification Search**  
USPC ..... D14/371–375, 125–129, 336, 337, 341,  
D14/138; 341/12; 345/104, 156, 168, 173;  
348/180, 184, 325, 739; 349/1, 2, 11,  
349/62; 361/679.05–679.07, 679.21;  
D6/300, 308; D21/324, 329–332

CPC ..... G06F 1/1601  
See application file for complete search history.

(56) **References Cited**

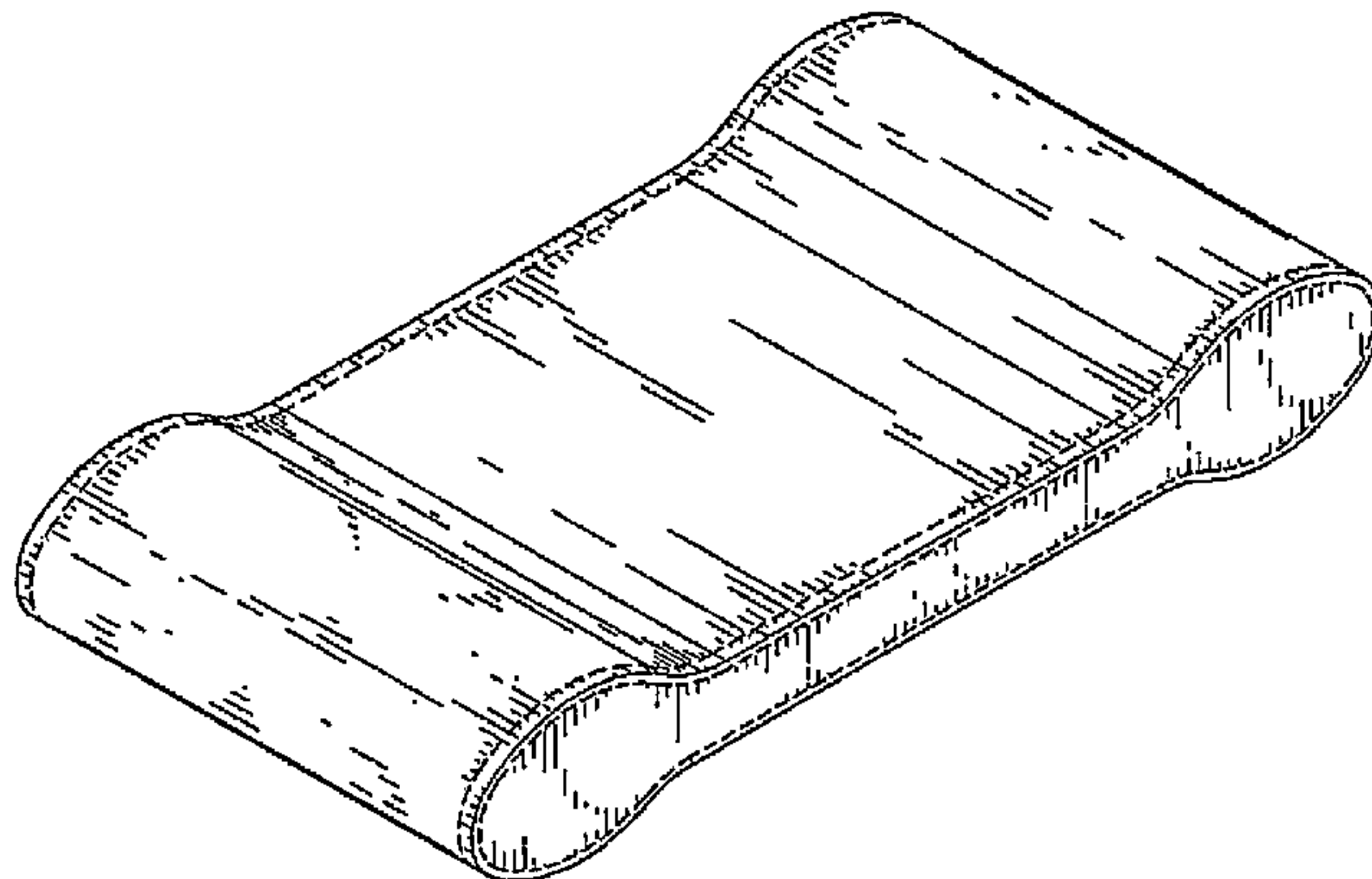
U.S. PATENT DOCUMENTS

3,829,998 A \* 8/1974 Flax ..... 40/800  
4,969,647 A \* 11/1990 Mical et al. .... 463/31  
6,494,786 B2 \* 12/2002 Oshita ..... 463/46  
D502,945 S \* 3/2005 Huang et al. .... D14/341  
D529,025 S \* 9/2006 Yang ..... D14/371  
7,347,780 B1 \* 3/2008 Best ..... 463/37  
D594,453 S \* 6/2009 Miyawaki ..... D14/341

(Continued)

FIG. 1 is a perspective view of a portable display device;  
FIG. 2 is a front elevation view of the portable display device  
of FIG. 1;  
FIG. 3 is a rear elevation view of the portable display device  
of FIG. 1;  
FIG. 4 is a left side elevation view of the portable display  
device of FIG. 1;  
FIG. 5 is a right side elevation view of the portable display  
device of FIG. 1;  
FIG. 6 is a top plan view of the portable display device of FIG.  
1;  
FIG. 7 is a bottom plan view of the portable display device of  
FIG. 1;  
FIG. 8 is a perspective view of the portable display device of  
FIG. 1 illustrating an example in which an image is displayed  
on a display screen of the portable display device;  
FIG. 9 is a perspective view of the portable display device of  
FIG. 1 illustrating another example in which an image is  
displayed on a display screen of the portable display device;  
and,  
FIG. 10 is an elevation view illustrating the portable display  
device of FIG. 1 in use.  
Broken lines shown in the drawings illustrate portions of the  
portable display device and form no part of the claimed  
design.

**1 Claim, 6 Drawing Sheets**



(56)

**References Cited**

FOREIGN PATENT DOCUMENTS

U.S. PATENT DOCUMENTS

D623,186 S \* 9/2010 Ludlum et al. .... D14/371  
D645,041 S \* 9/2011 Morton et al. .... D14/341  
2007/0085961 A1 4/2007 Jeong et al.  
2012/0162098 A1\* 6/2012 Aboud et al. .... 345/173  
2012/0182217 A1 7/2012 Miroshnichenko

KR 10-2010-0081161 A 7/2010  
KR 10-2012-0038634 A 4/2012  
KR 10-2012-0055702 5/2012

\* cited by examiner

FIG. 1

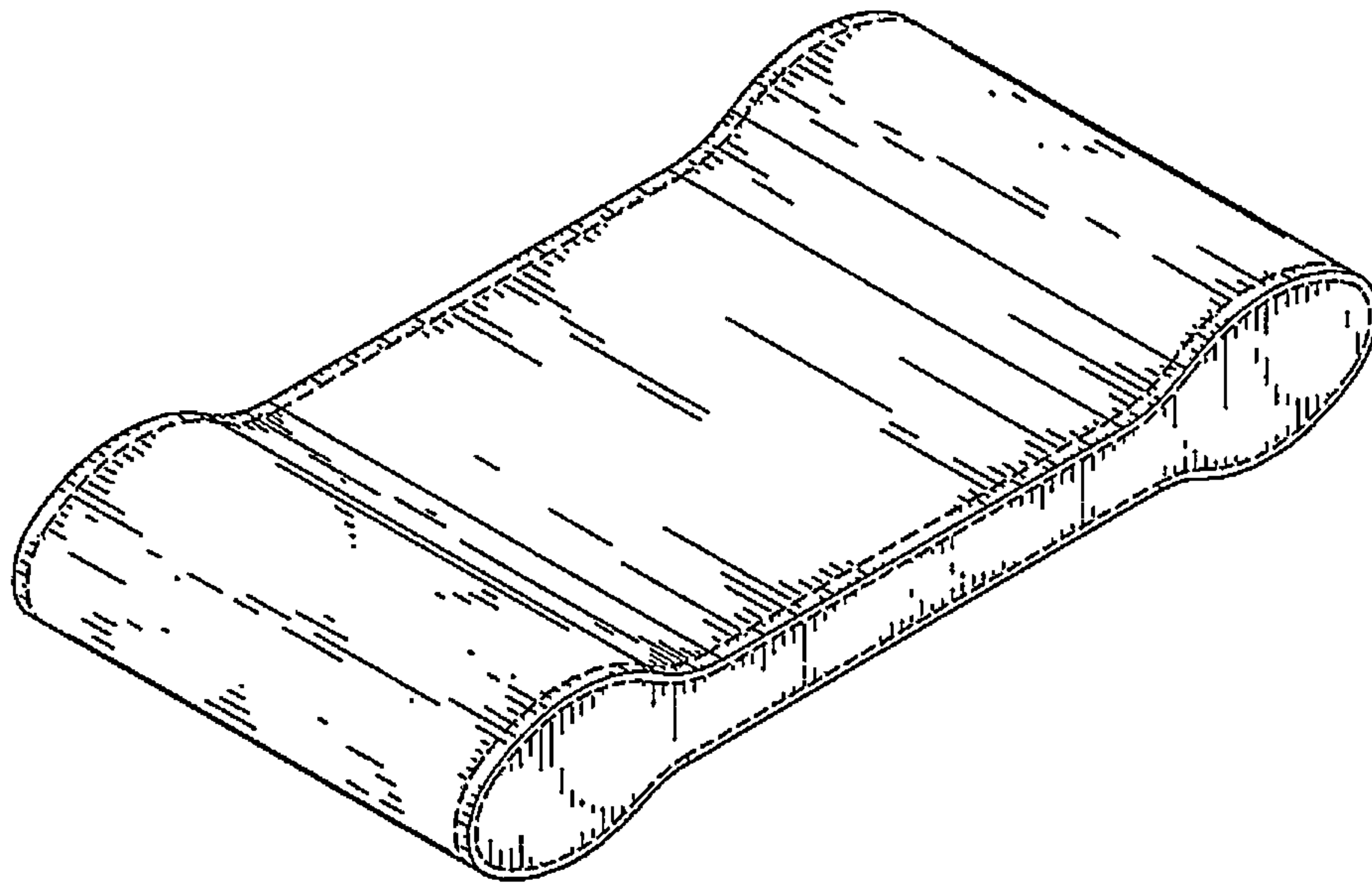


FIG. 2

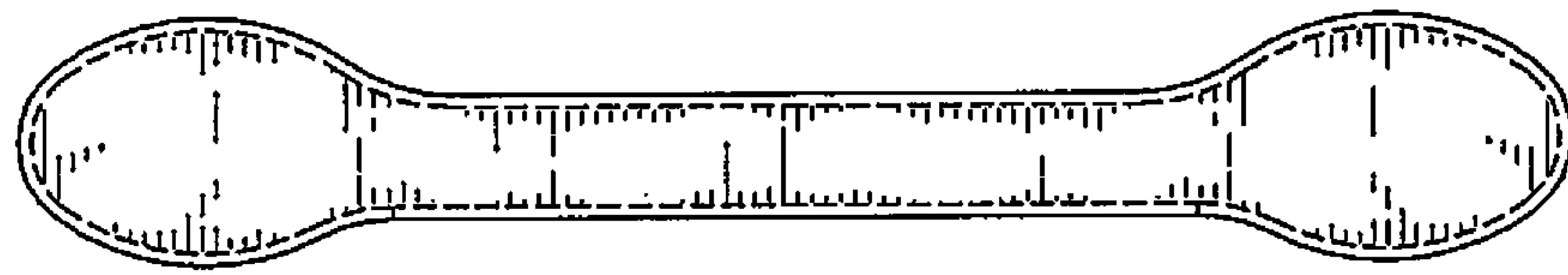


FIG. 3

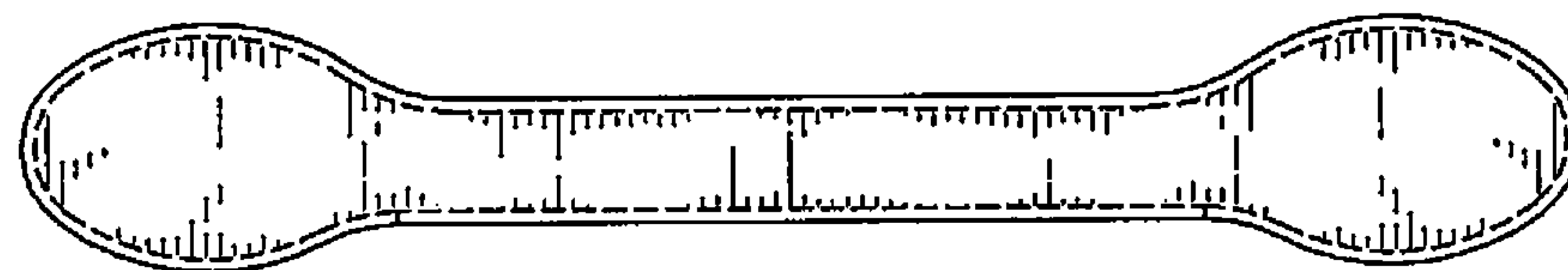


FIG. 4

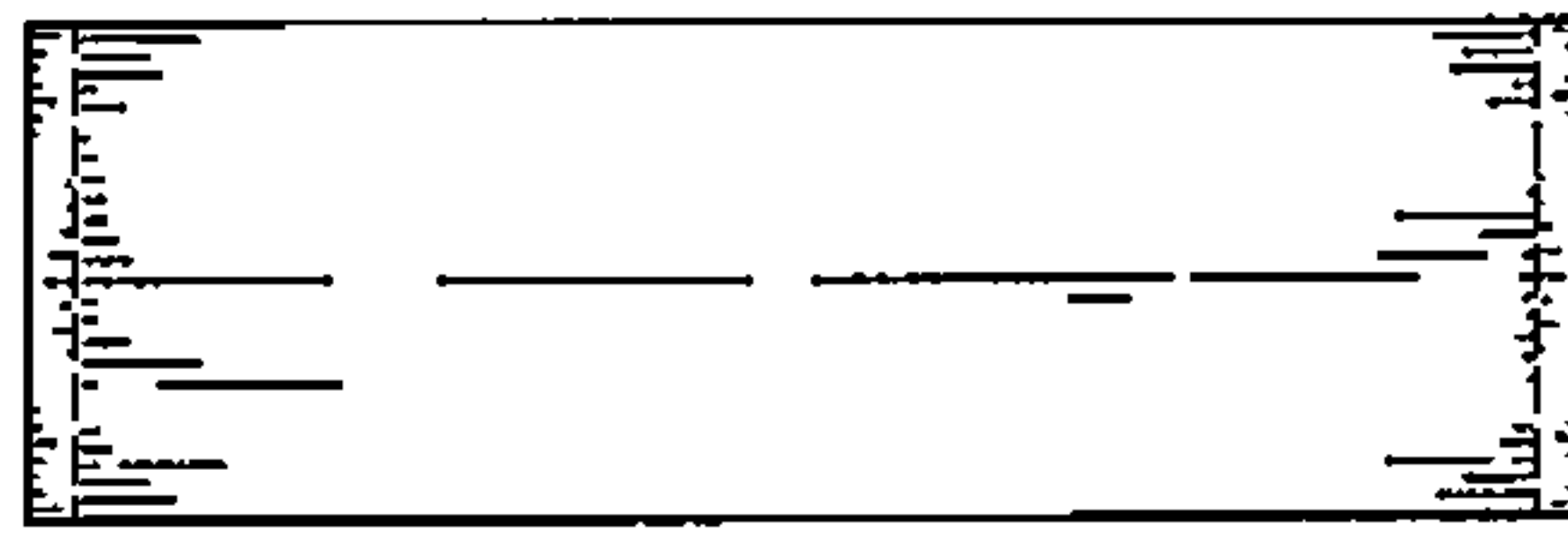


FIG. 5

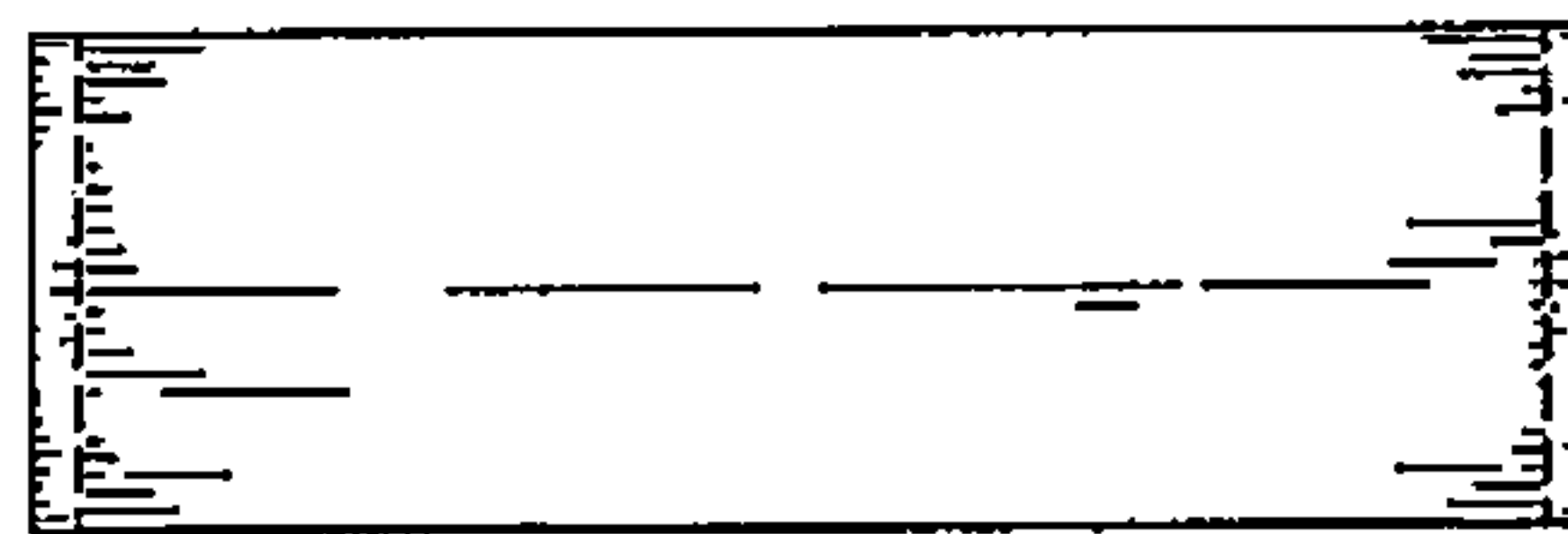


FIG. 6

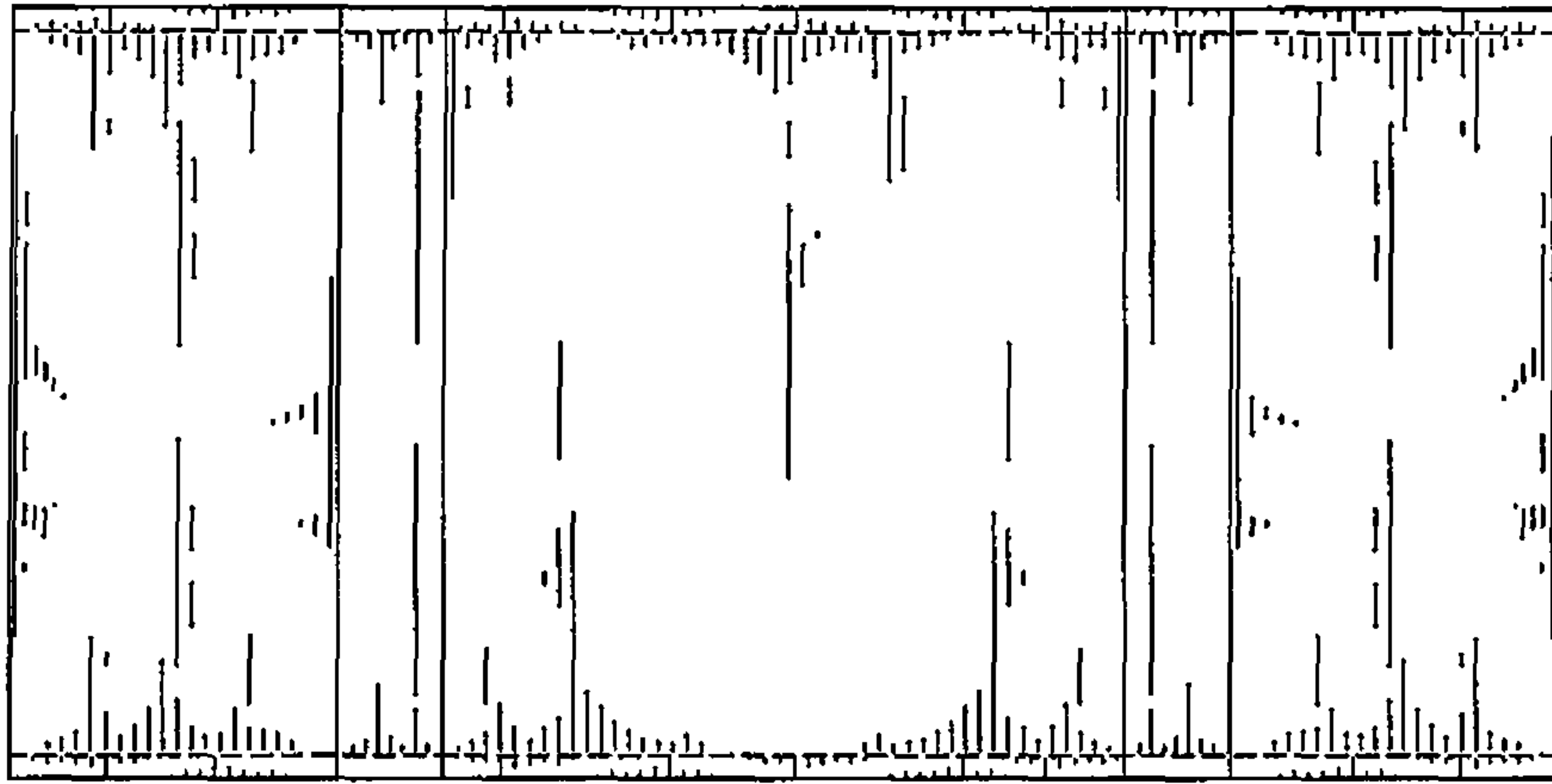


FIG. 7

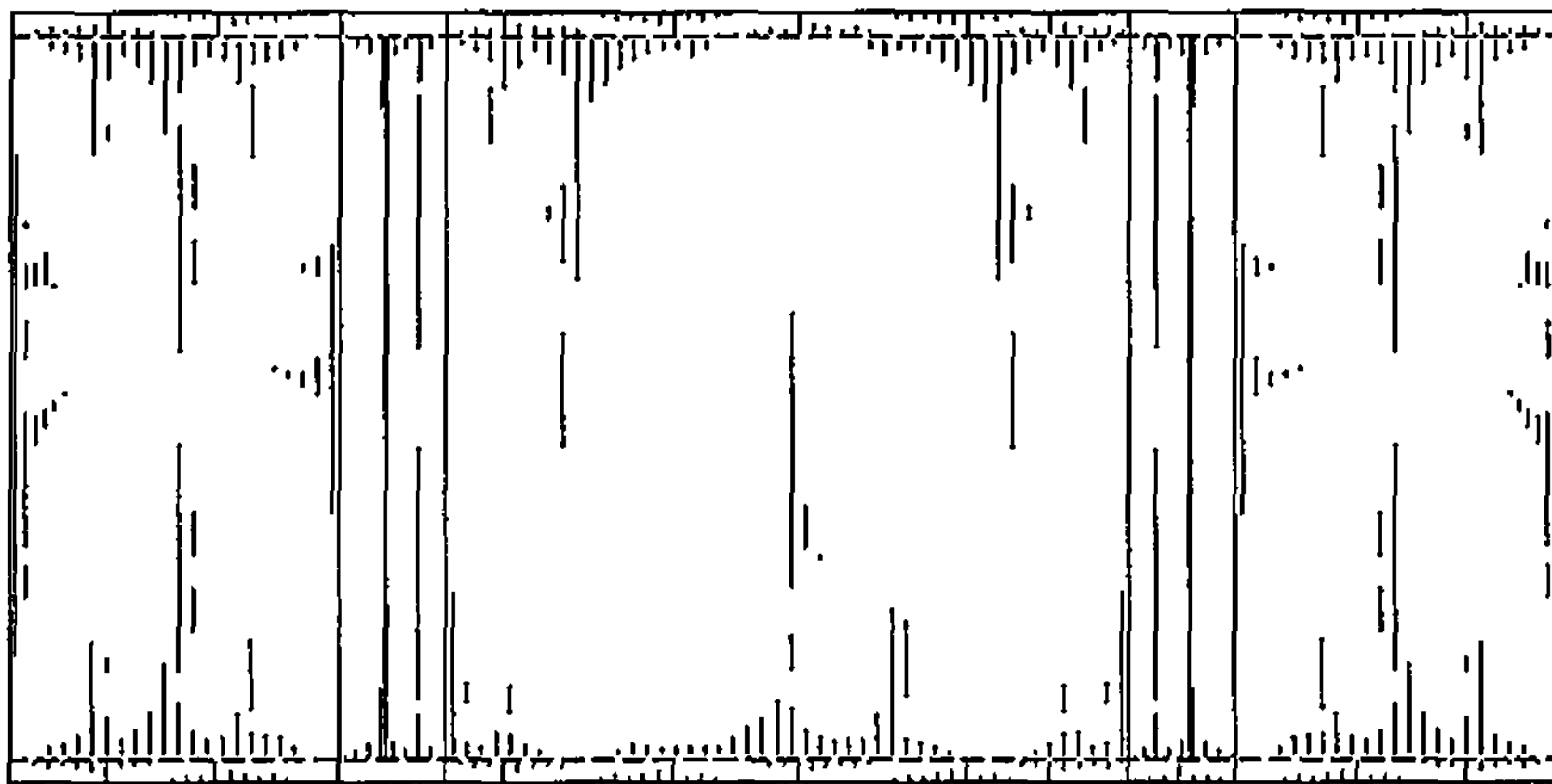




FIG. 8

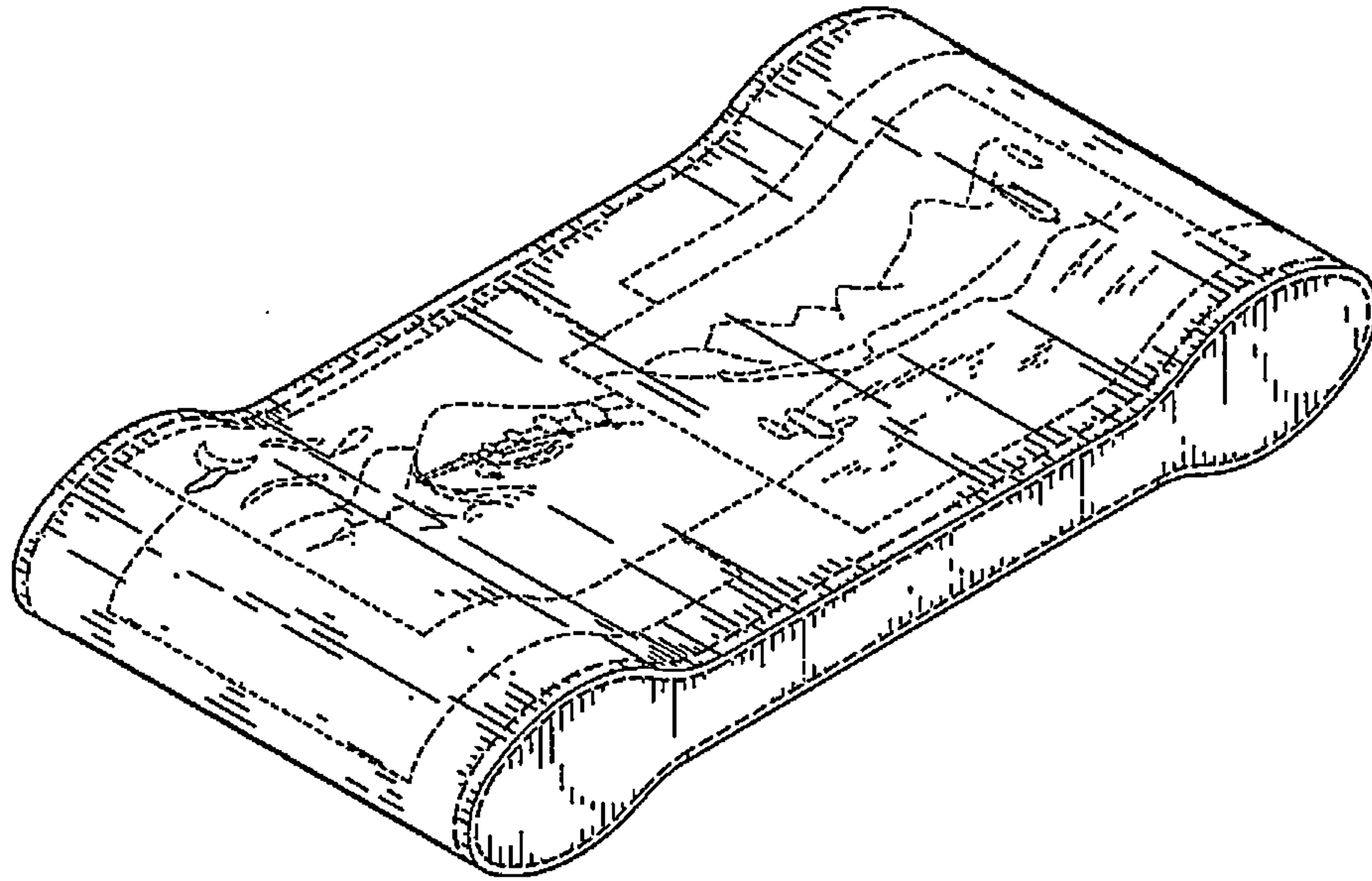


FIG. 9

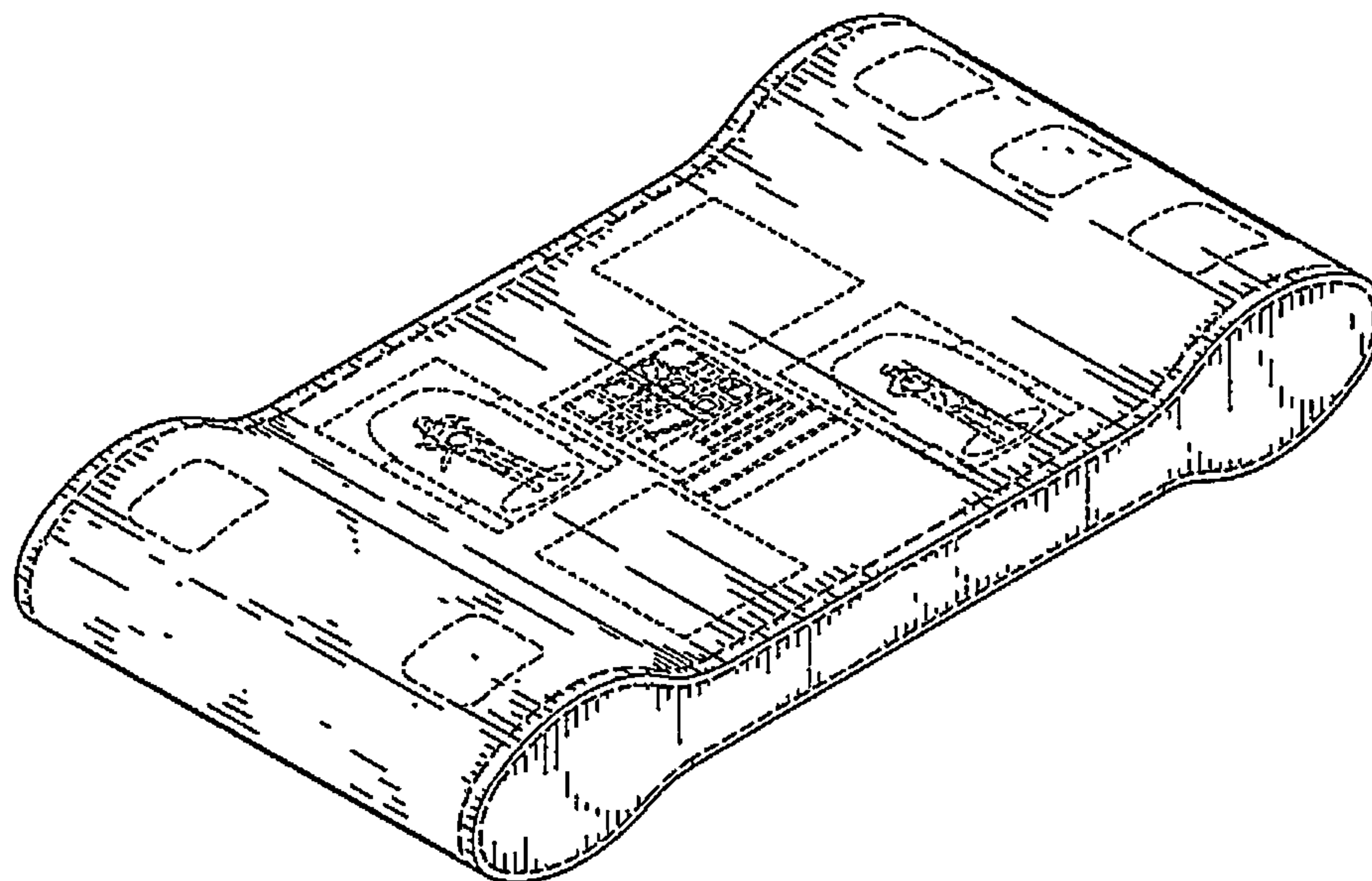


FIG. 10

