



US00D735713S

(12) **United States Design Patent**
Kim

(10) **Patent No.:** **US D735,713 S**

(45) **Date of Patent:** **** *Aug. 4, 2015**

(54) **EXTERNAL DISC DRIVE**

(71) Applicant: **Samsung Electronics Co., Ltd.**,
Suwon-si (KR)

(72) Inventor: **Wan-Sup Kim**, Seoul (KR)

(73) Assignee: **Samsung Electronics Co., Ltd.**,
Suwon-si (KR)

(*) Notice: This patent is subject to a terminal disclaimer.

(**) Term: **14 Years**

(21) Appl. No.: **29/453,911**

(22) Filed: **May 3, 2013**

(30) **Foreign Application Priority Data**

Nov. 6, 2012 (KR) 30-2012-0052768

(51) **LOC (10) Cl.** **14-02**

(52) **U.S. Cl.**
USPC **D14/365**

(58) **Field of Classification Search**
USPC D14/110, 114, 125, 240, 242, 299-302,
D14/314, 348-370, 435, 496; 720/655;
360/69, 97.02; 361/679.33-679.45
See application file for complete search history.

(56) **References Cited**

U.S. PATENT DOCUMENTS

D626,099 S * 10/2010 Huang D14/125
D628,573 S * 12/2010 Wang D14/356

D641,365 S *	7/2011	Lee et al.	D14/368
D645,466 S *	9/2011	Woo et al.	D14/365
D646,272 S *	10/2011	Woo et al.	D14/365
D649,945 S *	12/2011	Kim et al.	D14/125
D654,500 S *	2/2012	Ryu et al.	D14/368
D658,647 S *	5/2012	Tsai	D14/356
D692,884 S *	11/2013	Kim et al.	D14/368
D693,808 S *	11/2013	Kim et al.	D14/365
D693,809 S *	11/2013	Chong et al.	D14/368
D695,727 S *	12/2013	Shimizu	D14/240
2005/0287852 A1 *	12/2005	Sugawara et al.	439/135

* cited by examiner

Primary Examiner — Deanna L Pratt

(74) *Attorney, Agent, or Firm* — NSIP Law

(57) **CLAIM**

The ornamental design for an external disc drive, as shown and described.

DESCRIPTION

FIG. 1 is a perspective view of an external disc drive, showing my new design;
FIG. 2 is a front view thereof;
FIG. 3 is a rear view thereof;
FIG. 4 is a left-side view thereof;
FIG. 5 is a right-side view thereof;
FIG. 6 is a top plan view thereof;
FIG. 7 is a bottom plan view thereof; and,
FIG. 8 is a bottom perspective view thereof.
The broken lines are for environmental purposes only and forms no part of the claimed design. The shade lines in the figures show contour and not surface ornamentation.

1 Claim, 6 Drawing Sheets

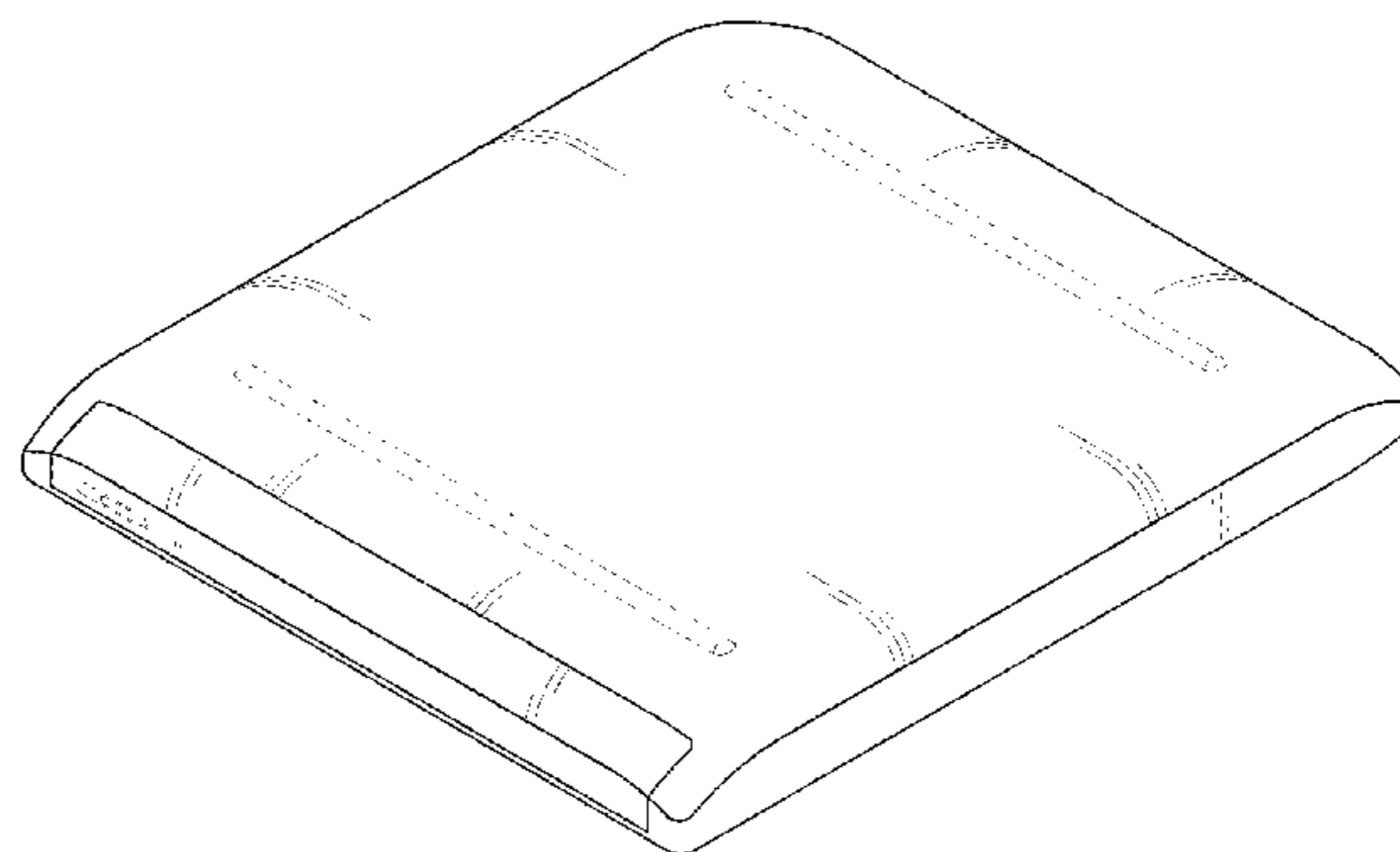
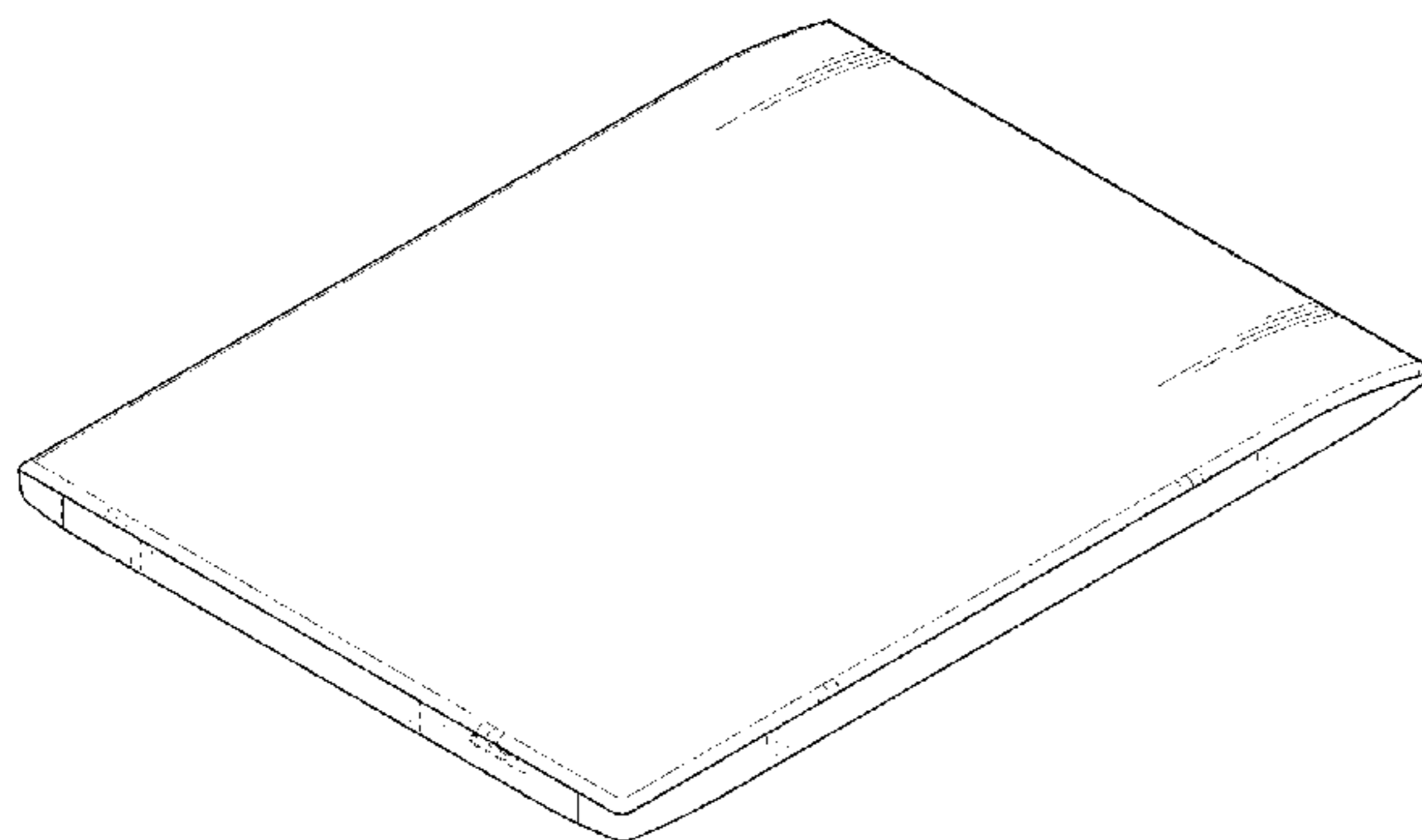


FIG. 1

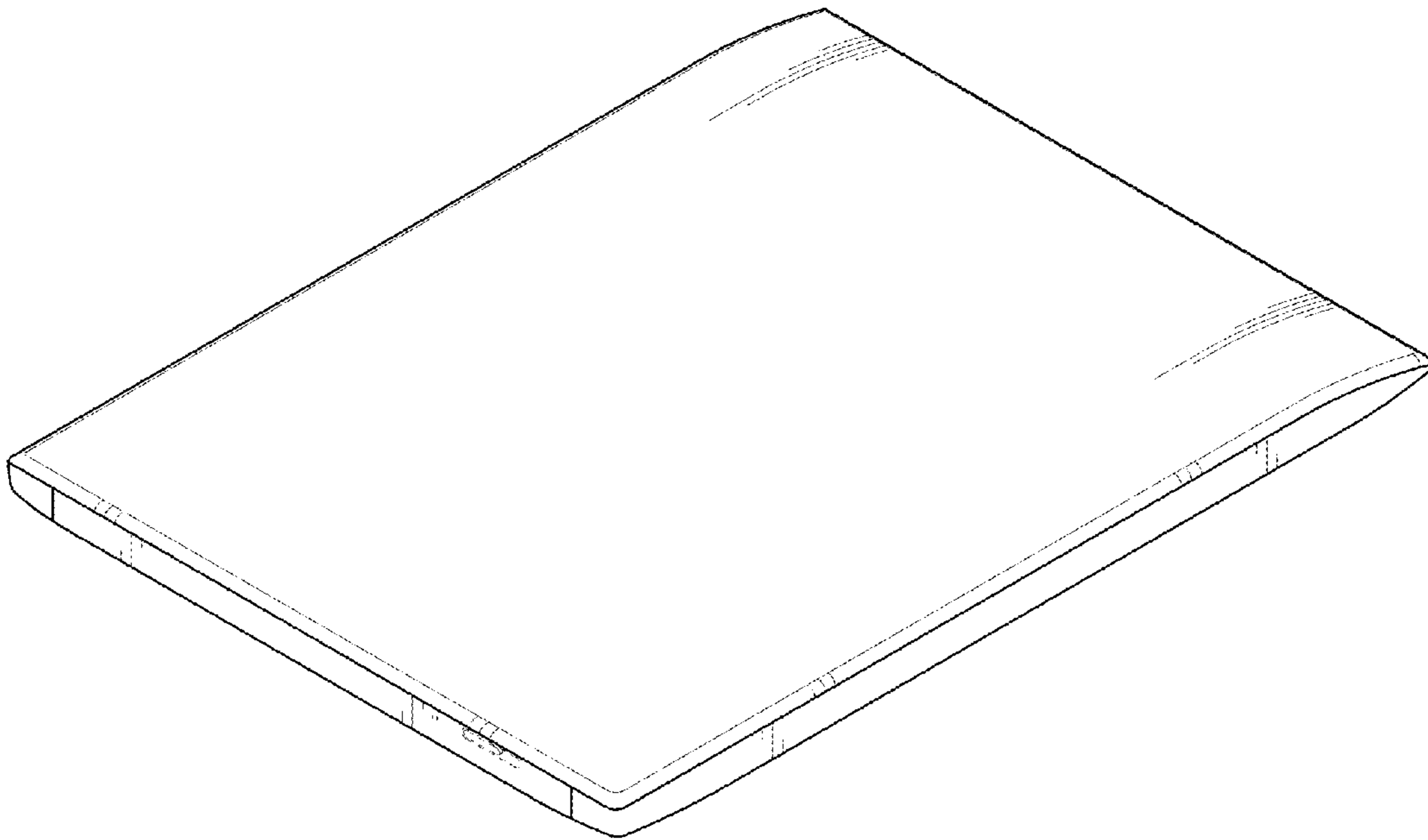


FIG. 2

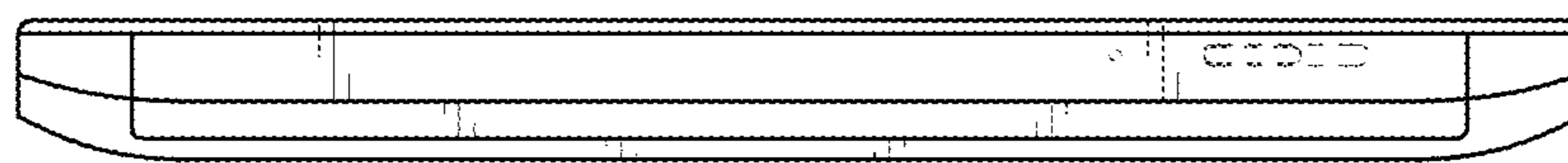


FIG. 3



FIG. 4

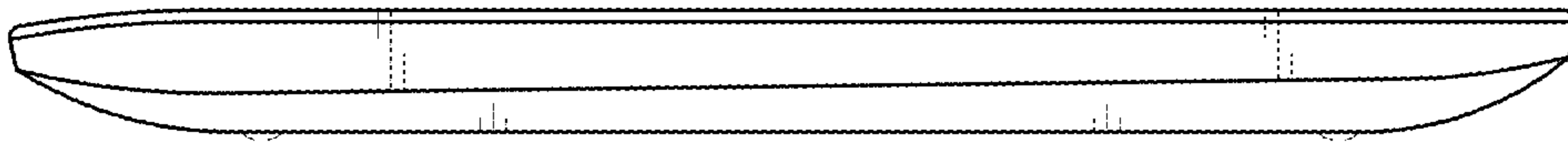


FIG. 5



FIG. 6

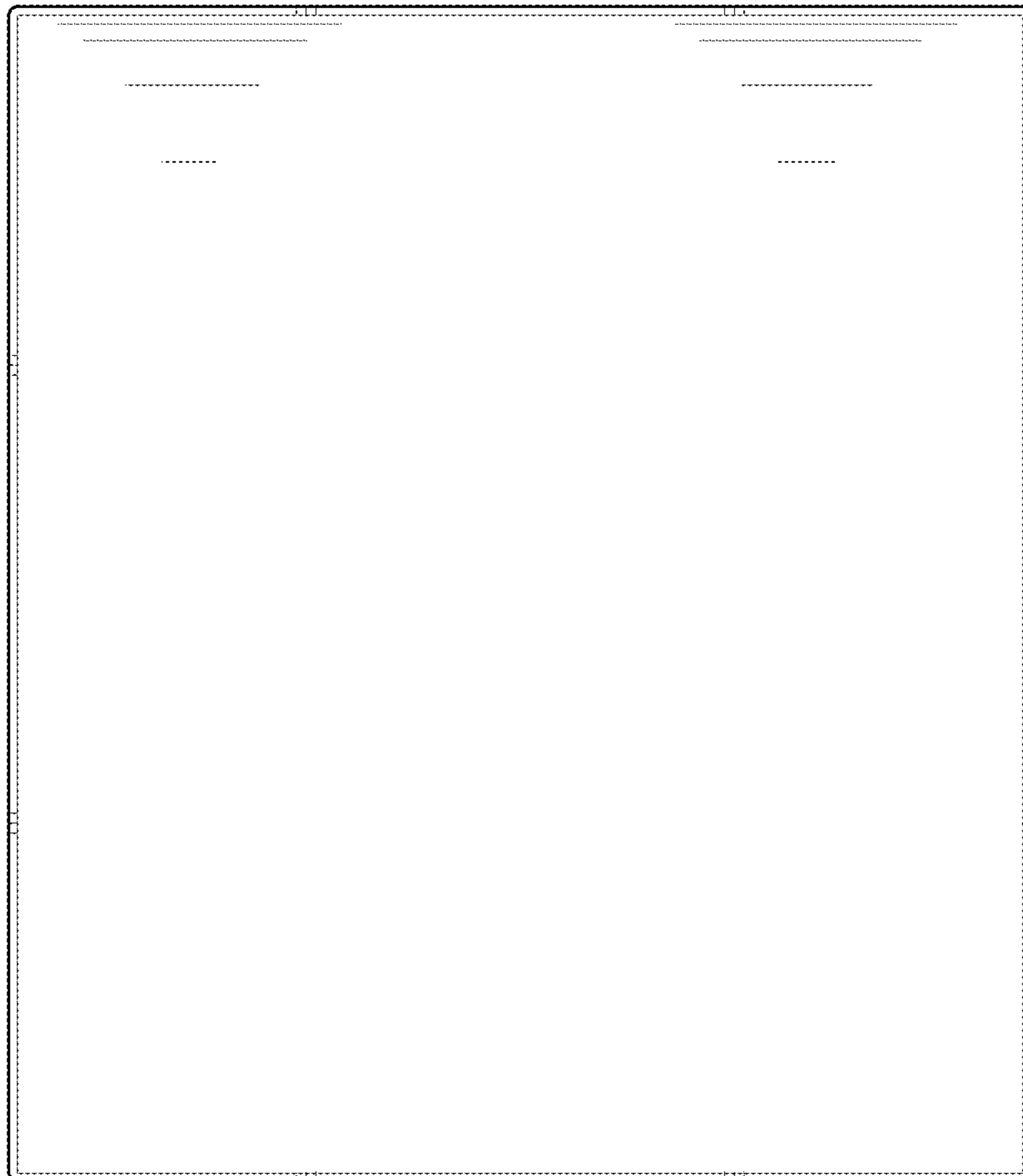


FIG. 7

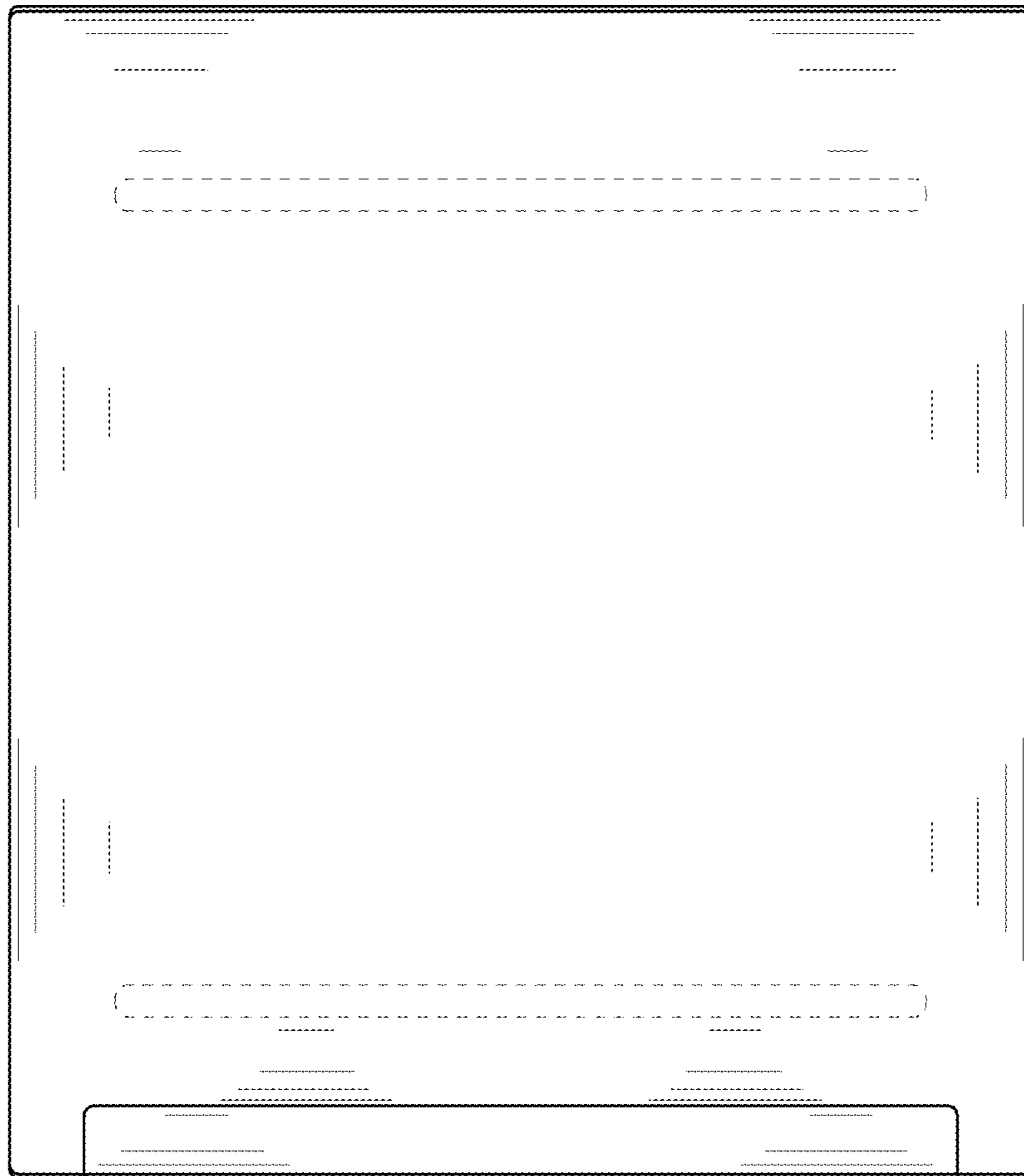


FIG. 8

