

US00D735709S

(12) **United States Design Patent**  
**Daniel**

(10) **Patent No.:** **US D735,709 S**

(45) **Date of Patent:** **\*\* Aug. 4, 2015**

(54) **TABLET WITH A FLEXIBLE RETRACTABLE SCREEN FOR DISPLAYING HOLOGRAPHIC IMAGES**

(71) Applicant: **Isaac S. Daniel**, Miramar, FL (US)

(72) Inventor: **Isaac S. Daniel**, Miramar, FL (US)

(\*\*) Term: **14 Years**

(21) Appl. No.: **29/457,434**

(22) Filed: **Jun. 10, 2013**

(51) **LOC (10) Cl.** ..... **14-02**

(52) **U.S. Cl.**  
USPC ..... **D14/341**

(58) **Field of Classification Search**  
USPC ..... D14/341-347, 137, 138 R, 138 AA, D14/138 C, 138 G, 496, 203.1, 203.3, 203.4, D14/203.7, 129, 130, 147, 218, 247, 248, D14/250, 374, 385, 388, 389, 315-318, 420, D14/426, 439; D10/65, 104.1; D21/324, D21/329, 330, 332; 455/556.1, 556.2, 566, 455/575.1, 90.3; 379/433.04, 433.01, 379/433.06, 916; 345/173, 901, 905; 361/679.26, 679.27, 679.3, 679.55, 361/679.56; D6/308, 310; 463/37; 248/917-924; 348/376; D19/26, 59-60  
CPC ..... A63H 33/3016; G06F 1/1613; H04M 1/0202; H04M 1/0279; H04M 1/0281; H04M 1/0283  
See application file for complete search history.

(56) **References Cited**

**U.S. PATENT DOCUMENTS**

1,715,259	A *	5/1929	Vose	40/506
2,304,795	A *	12/1942	Bricker	248/453
D342,611	S *	12/1993	Andrews et al.	D6/314
D347,832	S *	6/1994	Kaye et al.	D14/389
D372,499	S *	8/1996	Carlson et al.	D19/65
D436,951	S *	1/2001	Andresen	D14/336
6,452,795	B1 *	9/2002	Lee	361/679.41
6,474,009	B2 *	11/2002	Hahn	40/658

D503,045	S *	3/2005	Hahn	D6/300
D506,767	S *	6/2005	Imai	D16/202
D518,109	S *	3/2006	Opolka	D20/42
D566,181	S *	4/2008	Gerules	D19/52
D605,635	S *	12/2009	Edahiro et al.	D14/218
D614,602	S *	4/2010	Yoo	D14/203.7
D624,539	S *	9/2010	Tsai	D14/356
D641,750	S *	7/2011	Hu et al.	D14/341
D643,842	S *	8/2011	Marshall et al.	D14/434
8,009,421	B2 *	8/2011	Misawa	361/679.55
8,009,422	B2 *	8/2011	Misawa	361/679.55
D656,137	S *	3/2012	Chung et al.	D14/341
D659,693	S *	5/2012	TerMeer et al.	D14/342

(Continued)

*Primary Examiner* — Barbara Fox

*Assistant Examiner* — Dana K Weiland

(74) *Attorney, Agent, or Firm* — Carol N. Green Kaul, Esq.

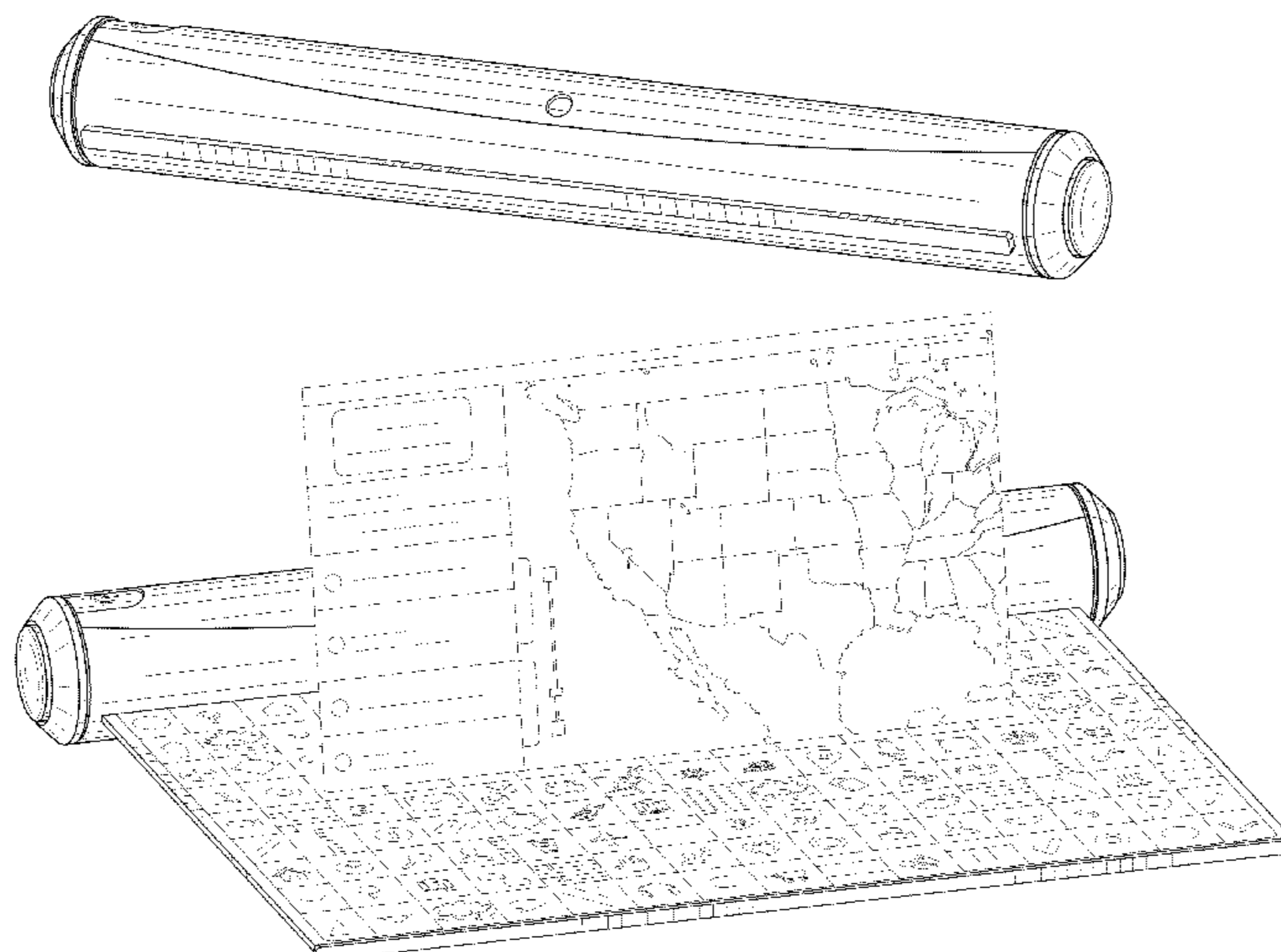
(57) **CLAIM**

The ornamental design for a tablet with a flexible retractable screen for displaying holographic images, as shown and described.

**DESCRIPTION**

FIG. 1 is a front perspective view of a tablet with a flexible retractable screen for displaying holographic images with the retractable screen in the open position; FIG. 2 is a rear perspective view thereof; FIG. 3 is a top view thereof; FIG. 4 is a bottom view thereof; FIG. 5 is a front elevation view thereof; FIG. 6 is a rear elevation view thereof; FIG. 7 is a side view thereof; FIG. 8 is a front perspective view of the tablet with a flexible retractable screen for displaying holographic images in the closed position; and, FIG. 9 is the tablet with a flexible retractable screen for displaying holographic images in the open position in use. The dotted lines in FIG. 9 showing an exemplary hologram from one of the plurality of images are for illustrative purposes only, forming no part of the claimed design.

**1 Claim, 7 Drawing Sheets**



(56)

**References Cited**

U.S. PATENT DOCUMENTS

D664,144 S *	7/2012	Akana et al. ....	D14/389	8,624,844 B2 *	1/2014	Behar et al. ....	345/169
D667,404 S *	9/2012	Akana et al. ....	D14/389	D703,133 S *	4/2014	Ireland et al. ....	D13/108
8,289,688 B2 *	10/2012	Behar et al. ....	361/679.3	D707,211 S *	6/2014	Ho et al. ....	D14/240
8,295,039 B2 *	10/2012	Cheng et al. ....	361/679.26	2003/0160892 A1 *	8/2003	Tamura .....	348/375
8,376,581 B2 *	2/2013	Auld et al. ....	362/249.02	2004/0183958 A1 *	9/2004	Akiyama et al. ....	349/58
8,379,382 B2 *	2/2013	Marshall et al. ....	361/679.41	2007/0113440 A1 *	5/2007	Asvadi .....	40/544
D690,692 S *	10/2013	Shin .....	D14/341	2007/0241002 A1 *	10/2007	Wu et al. ....	206/150
D691,132 S *	10/2013	Sharma et al. ....	D14/341	2008/0013292 A1 *	1/2008	Slikkerveer et al. ....	361/749
8,576,555 B2 *	11/2013	Misawa .....	361/679.27	2008/0212271 A1 *	9/2008	Misawa .....	361/681
				2012/0106047 A1 *	5/2012	Chu et al. ....	361/679.01
				2014/0268532 A1 *	9/2014	Nicol et al. ....	361/679.26

\* cited by examiner

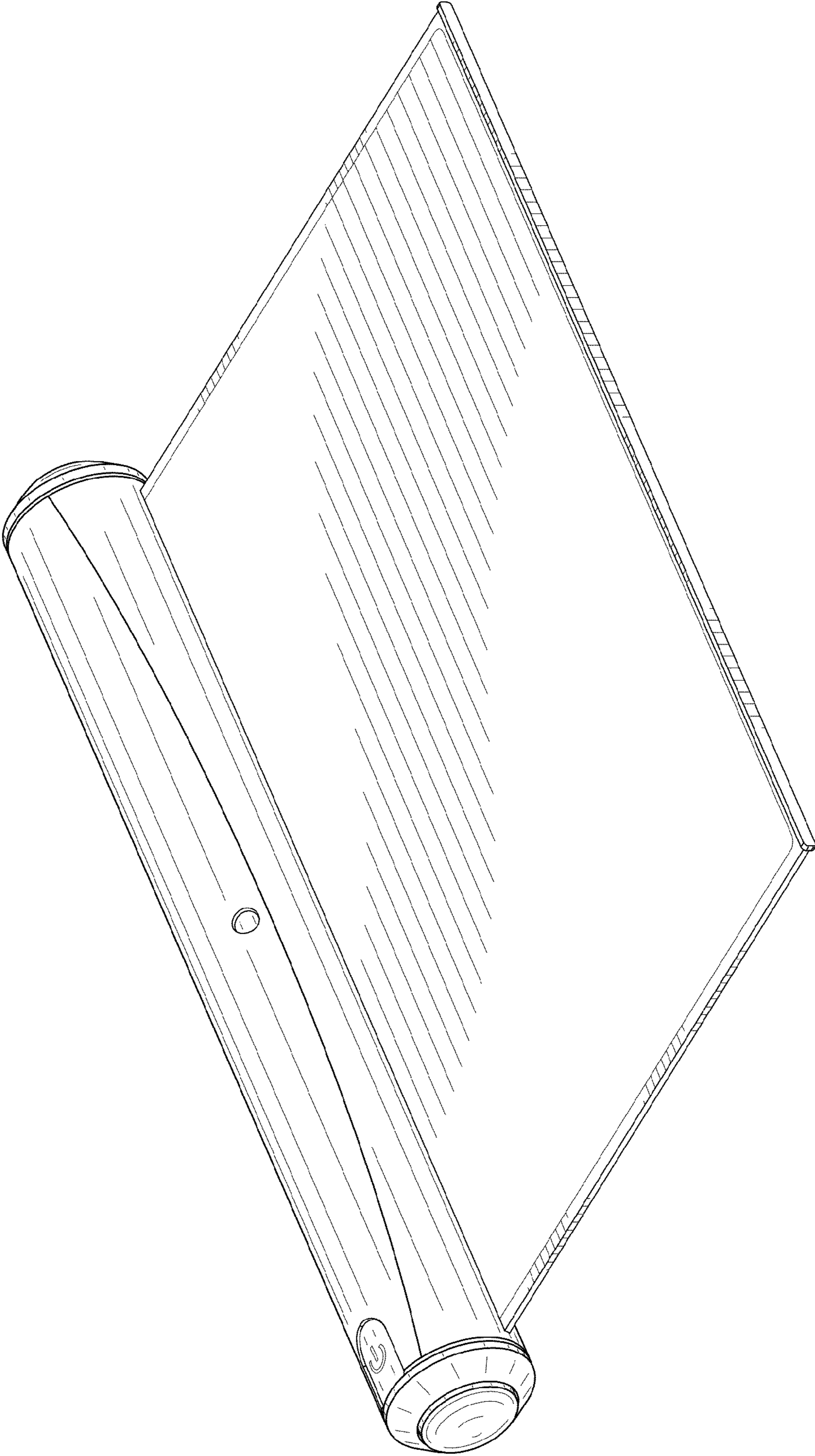


FIG. 1



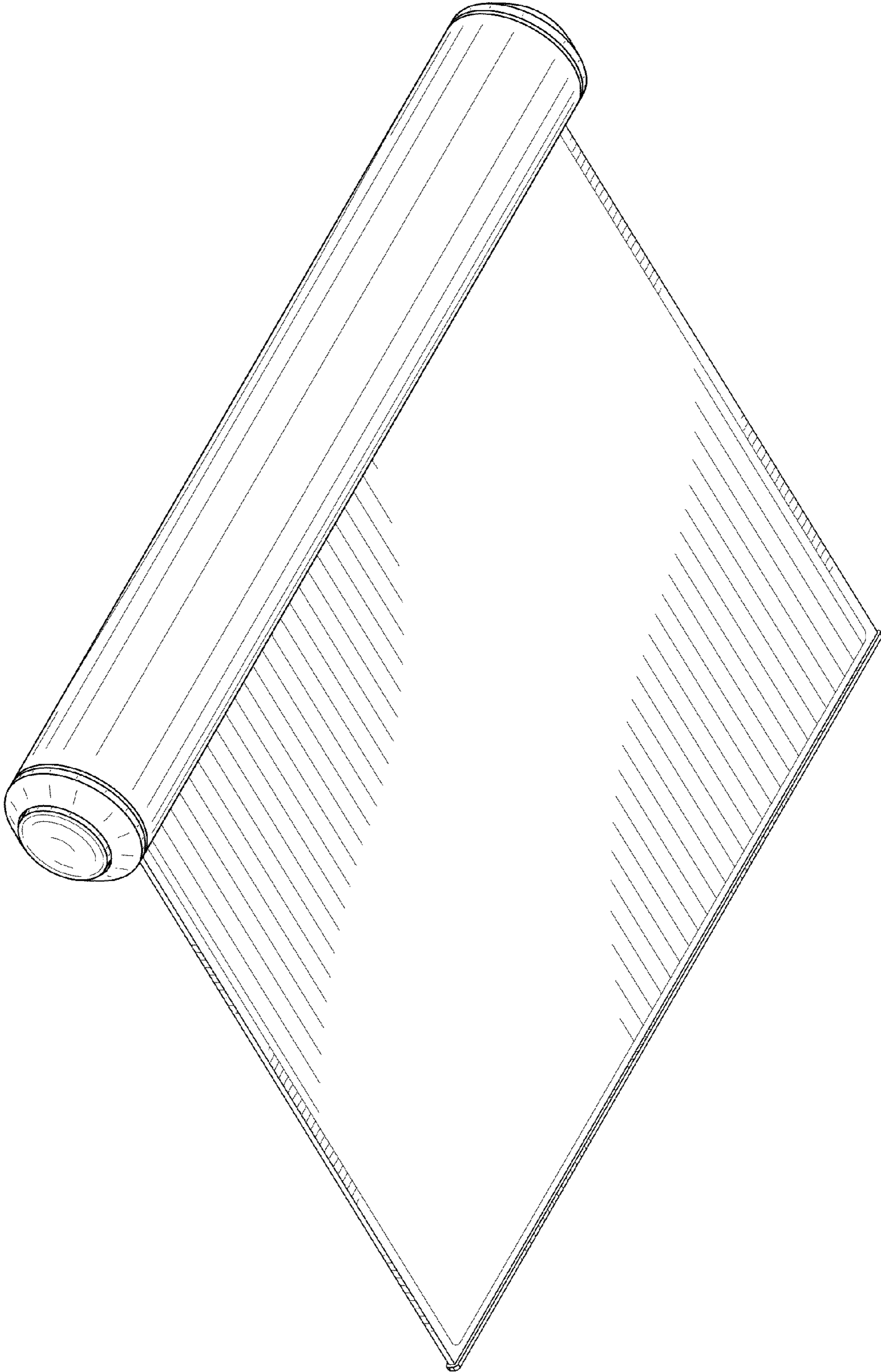


FIG. 2

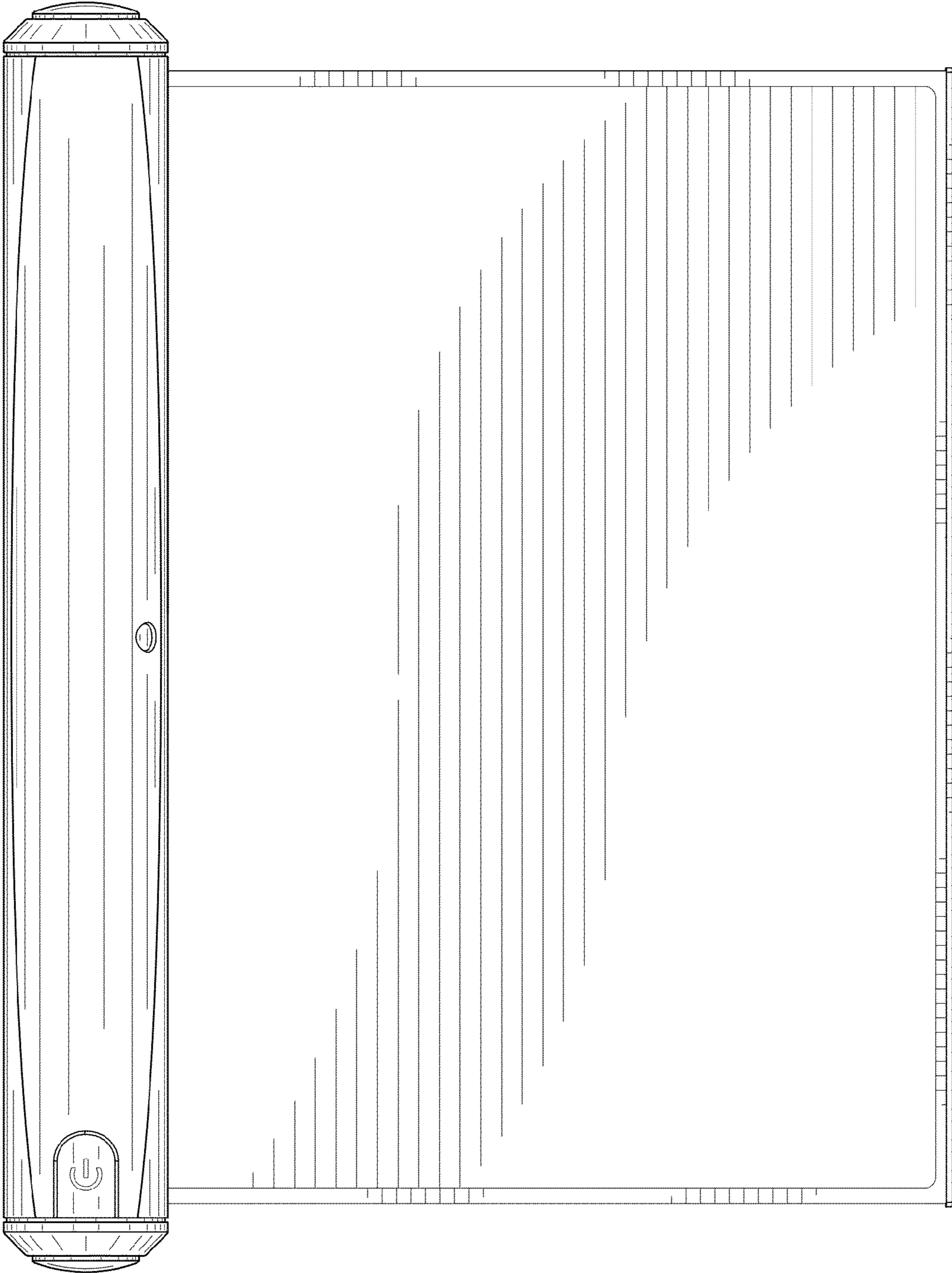


FIG. 3

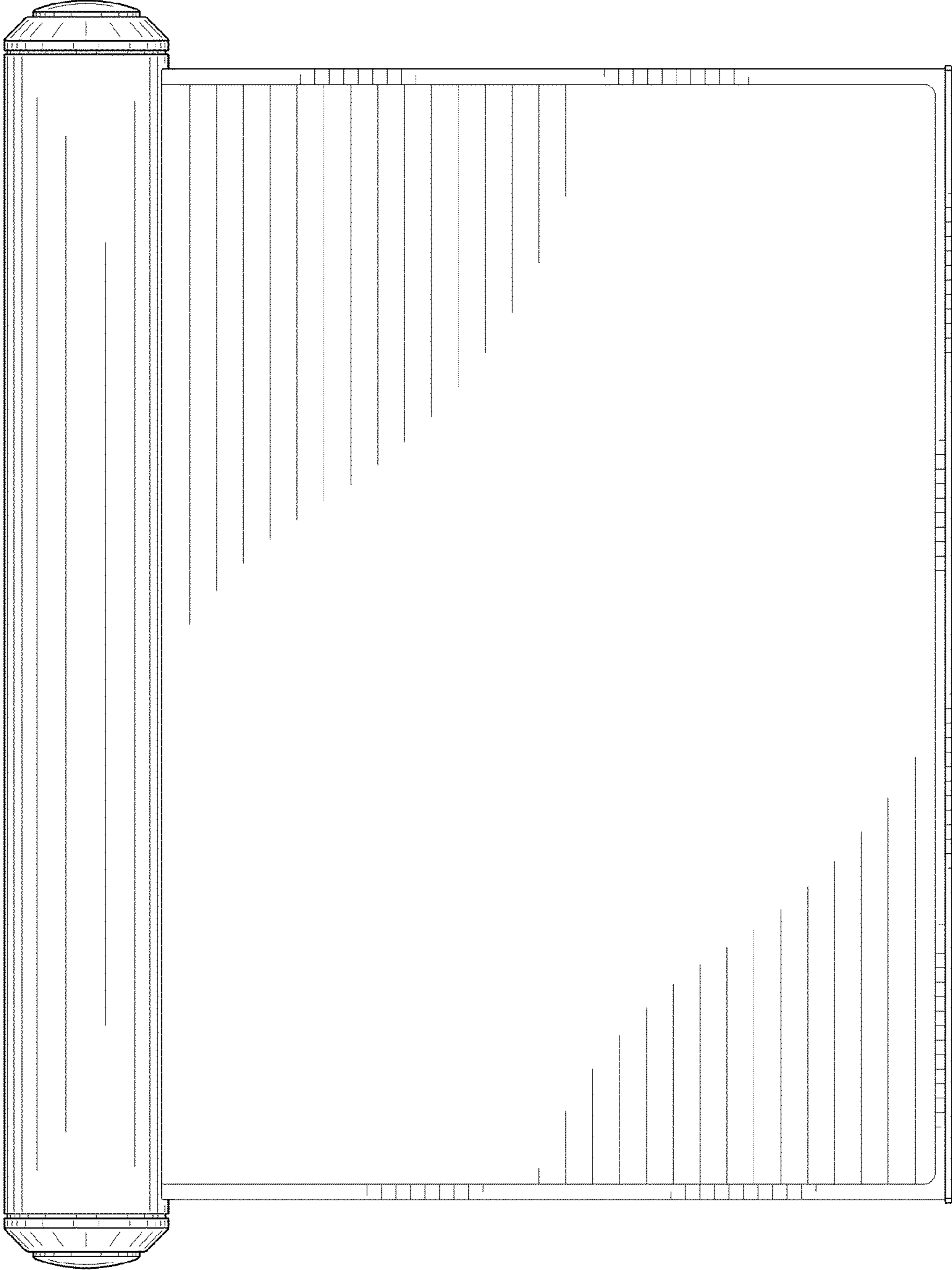


FIG. 4

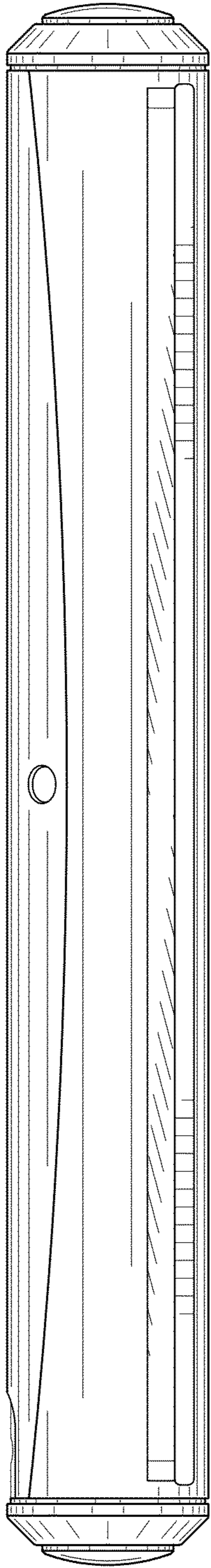


FIG. 5

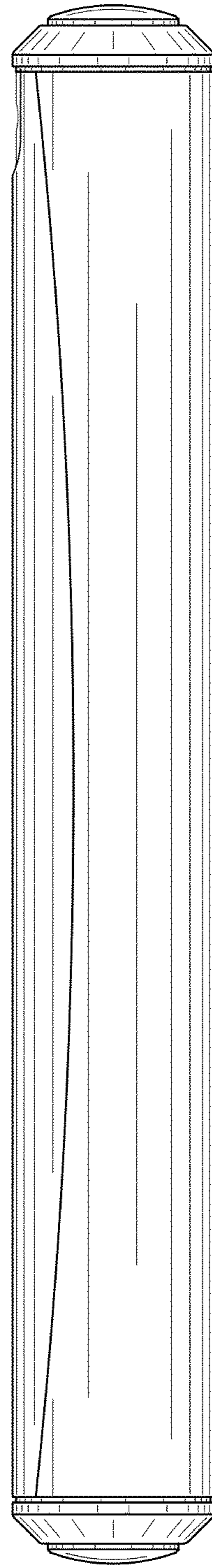


FIG. 6



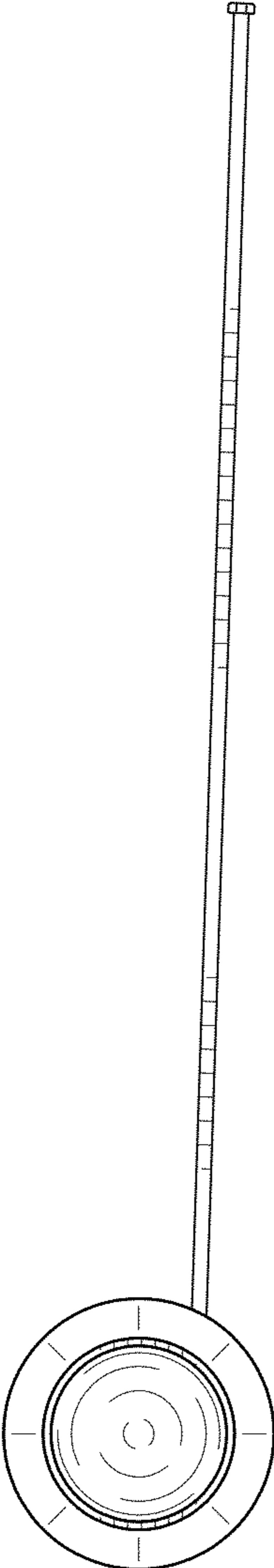


FIG. 7

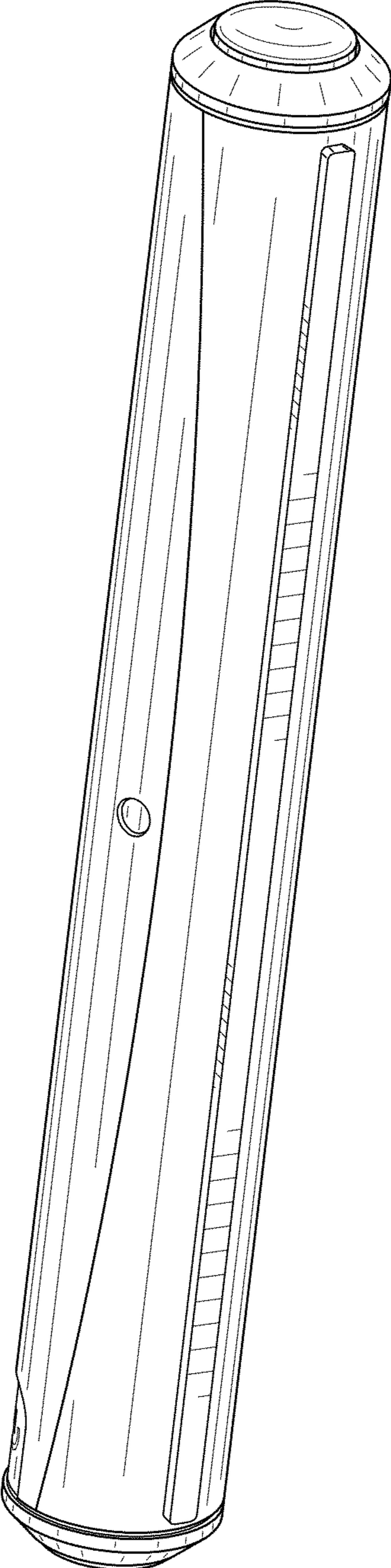


FIG. 8



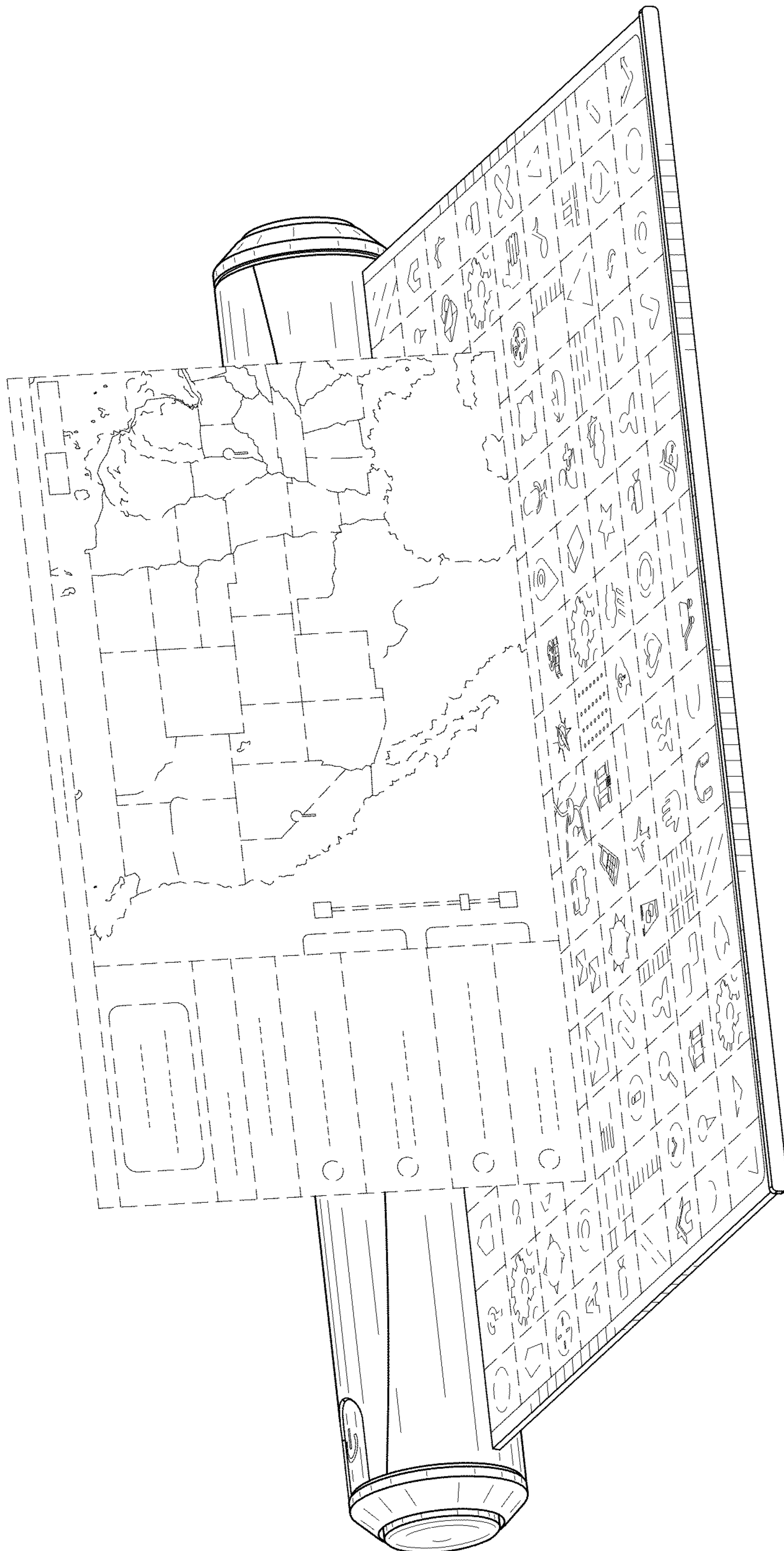


FIG. 9