



US00D735708S

(12) **United States Design Patent**  
**Kohlbecher et al.**

(10) **Patent No.:** **US D735,708 S**  
(45) **Date of Patent:** **\*\* Aug. 4, 2015**

(54) **OPERATING DEVICE OF A TACTICAL RADIO**

(56) **References Cited**

U.S. PATENT DOCUMENTS

(71) Applicant: **ROHDE & SCHWARZ GMBH & CO. KG**, Munich (DE)

D588,109	S	*	3/2009	Miyazato	.....	D14/258
D602,931	S	*	10/2009	Kaner et al.	.....	D14/258
D608,340	S	*	1/2010	Nishizawa	.....	D14/198
D613,733	S	*	4/2010	Iwamoto	.....	D14/258
D635,970	S	*	4/2011	Ichikawa et al.	.....	D14/258
D669,463	S	*	10/2012	Yagihashi et al.	.....	D14/258
D671,094	S	*	11/2012	Kokawa et al.	.....	D14/198
D672,742	S	*	12/2012	Katsuno	.....	D14/157

(72) Inventors: **Michael Kohlbecher**, Munich (DE);  
**Stefan Thalhammer**, Baierbrunn (DE)

(73) Assignee: **ROHDE & SCHWARZ GMBH & CO. KG**, Munich (DE)

\* cited by examiner

*Primary Examiner* — Sandra Morris

(\*\*) Term: **14 Years**

(74) *Attorney, Agent, or Firm* — Cowan, Liebowitz & Latman, P.C.

(21) Appl. No.: **29/454,653**

(57) **CLAIM**

The ornamental design for a operating device of a tactical radio, as shown and described.

(22) Filed: **May 13, 2013**

**DESCRIPTION**

(51) **LOC (10) Cl.** ..... **14-01**

(52) **U.S. Cl.**

USPC ..... **D14/257**; D14/197

(58) **Field of Classification Search**

USPC ..... D12/192, 195, 415, 420; D14/137, 139,  
D14/157, 188, 197–198, 257–258;  
248/27.1, 27.3, 558; 455/347, 350

CPC ..... B60K 37/04; H04B 1/082

See application file for complete search history.

FIG. 1 is a front perspective view of the operating device of a tactical radio showing my design thereof;

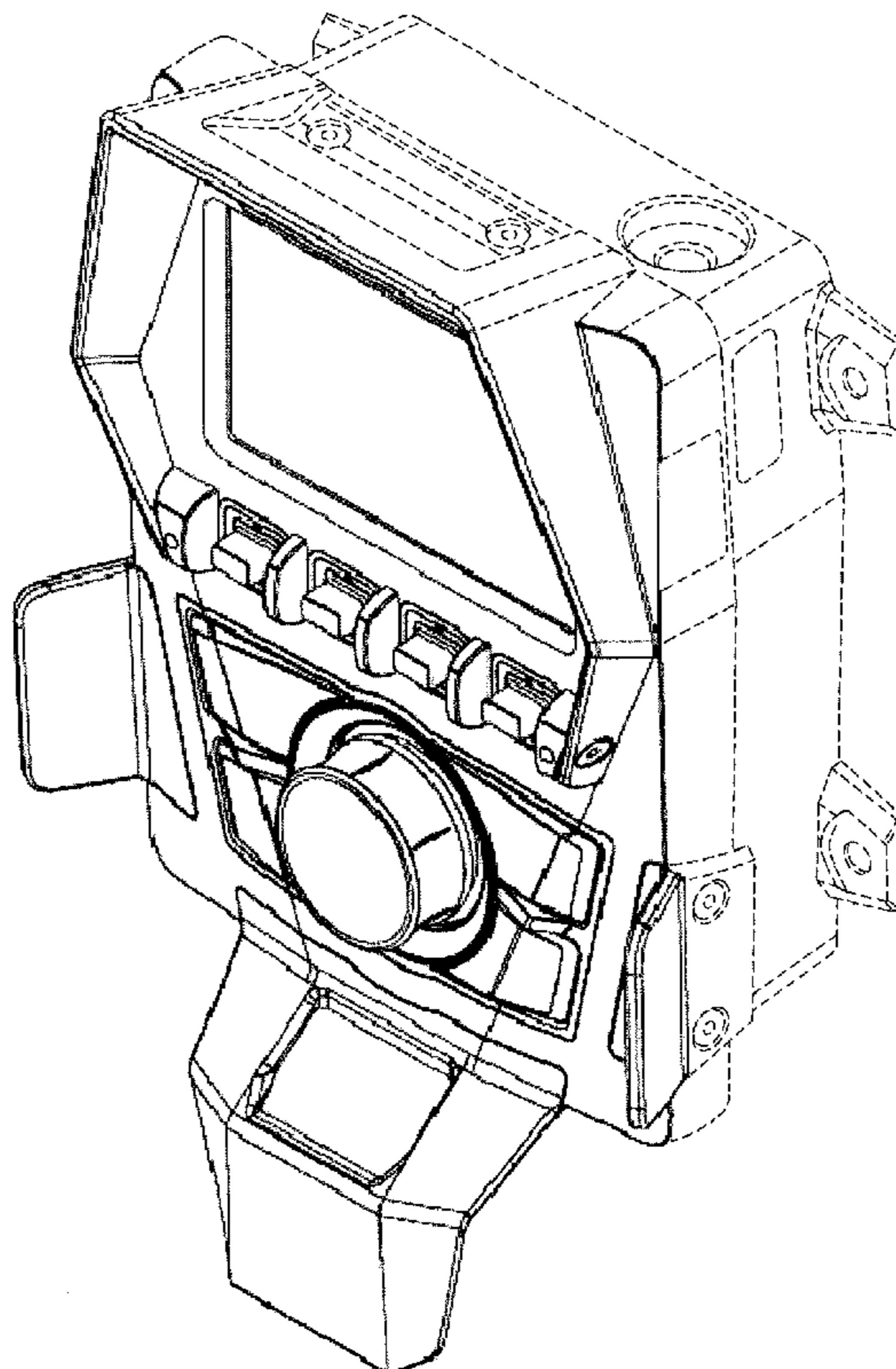
FIG. 2 is a front view thereof;

FIG. 3 is a left side view thereof, with a right side view being a mirror image thereof; and,

FIG. 4 is a rear view thereof.

Broken lines depicting an outer casing for a tactical radio that includes the operating device of a tactical radio form no part of the claimed design.

**1 Claim, 4 Drawing Sheets**



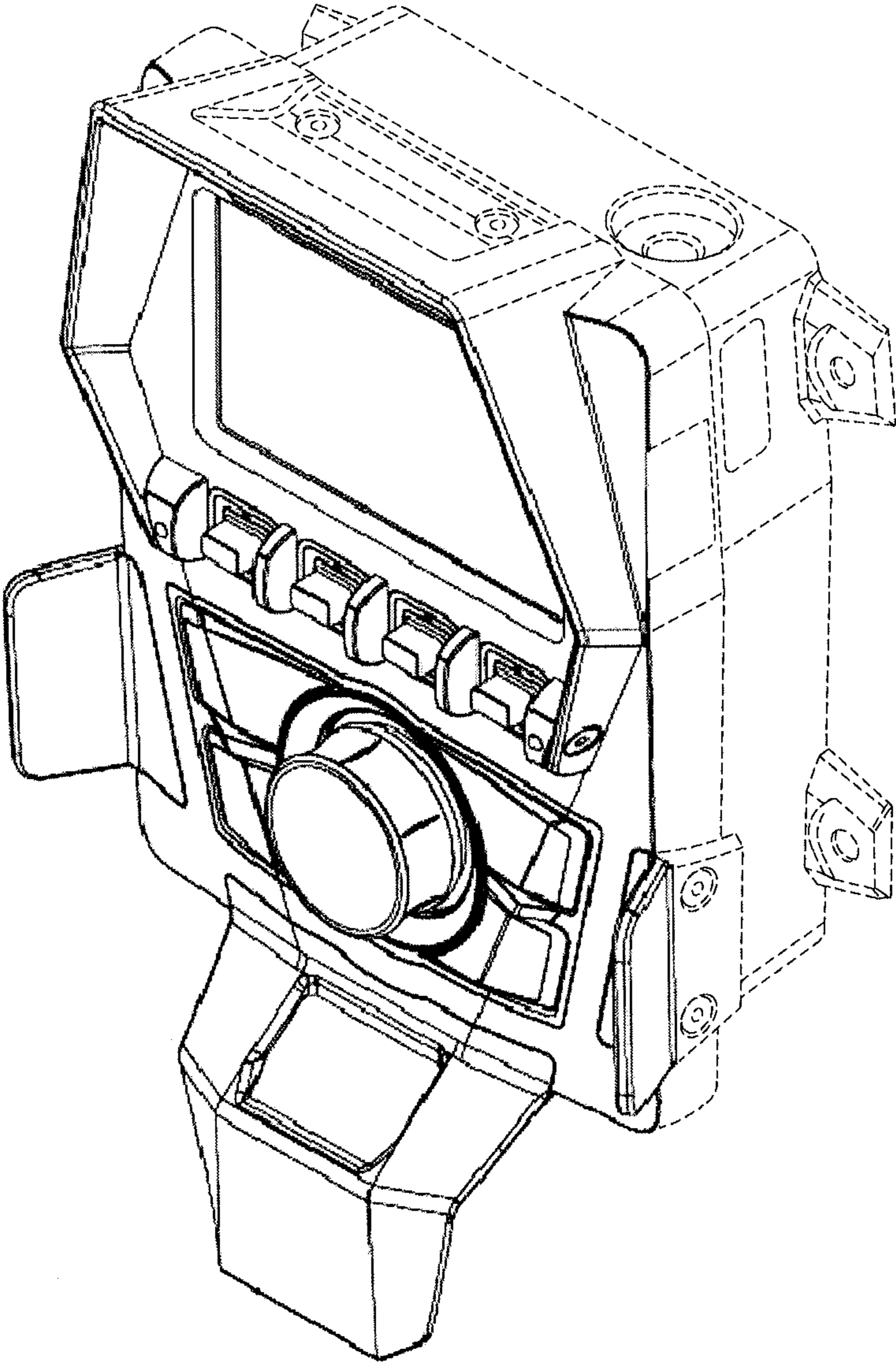


FIG. 1

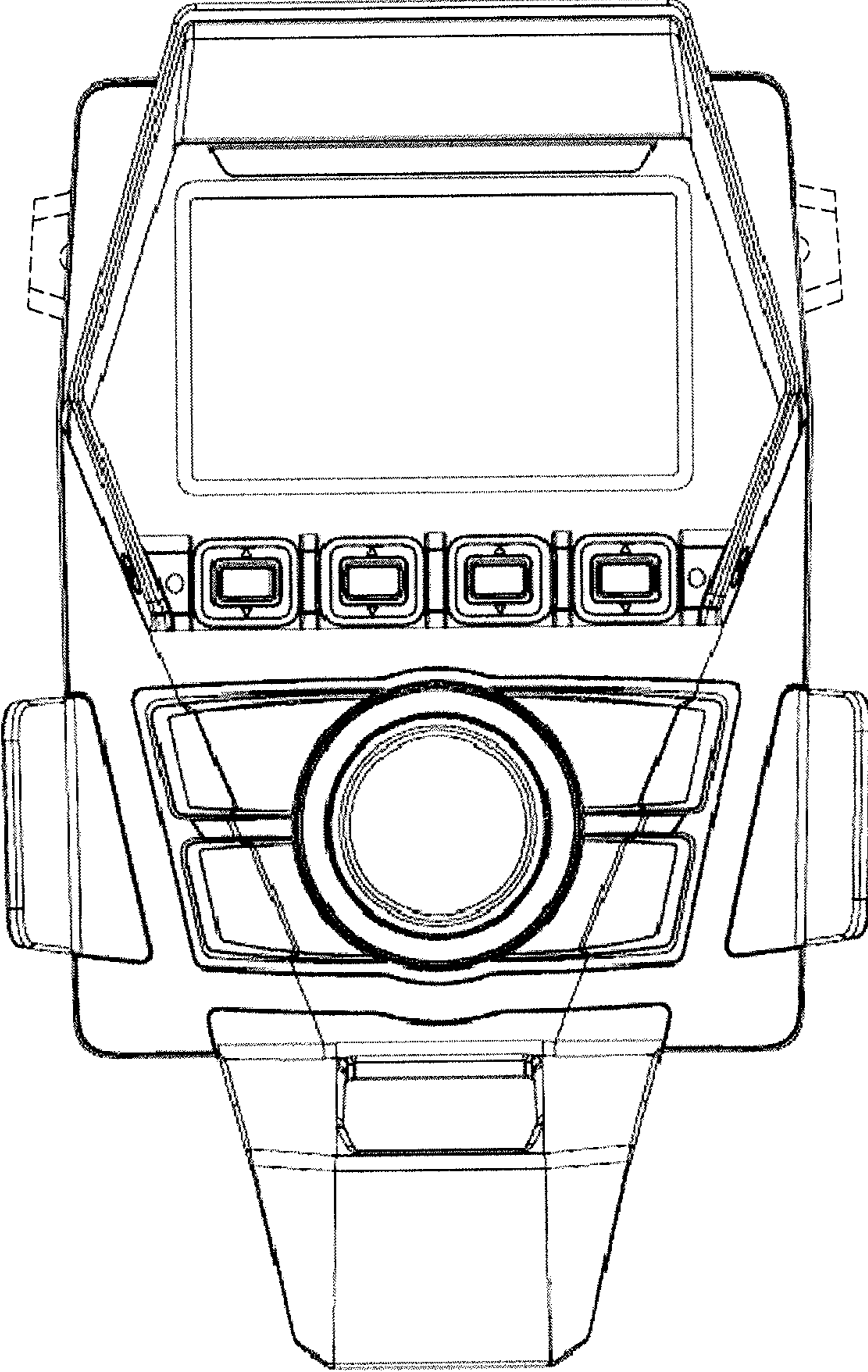


FIG. 2

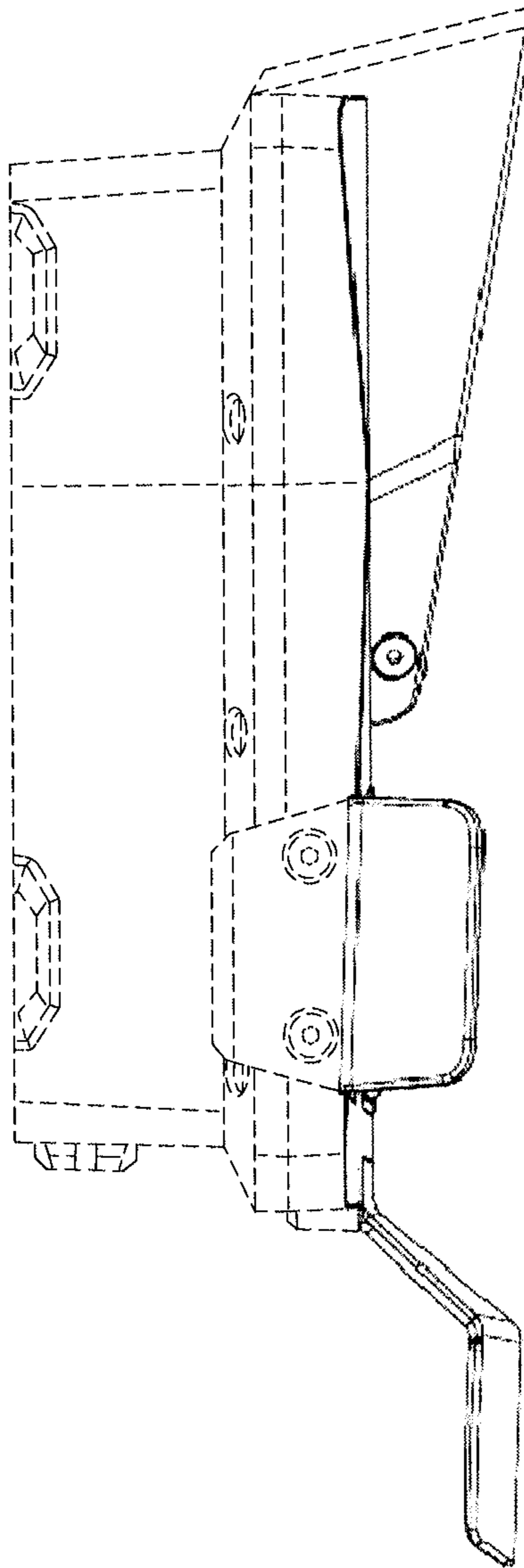


FIG. 3

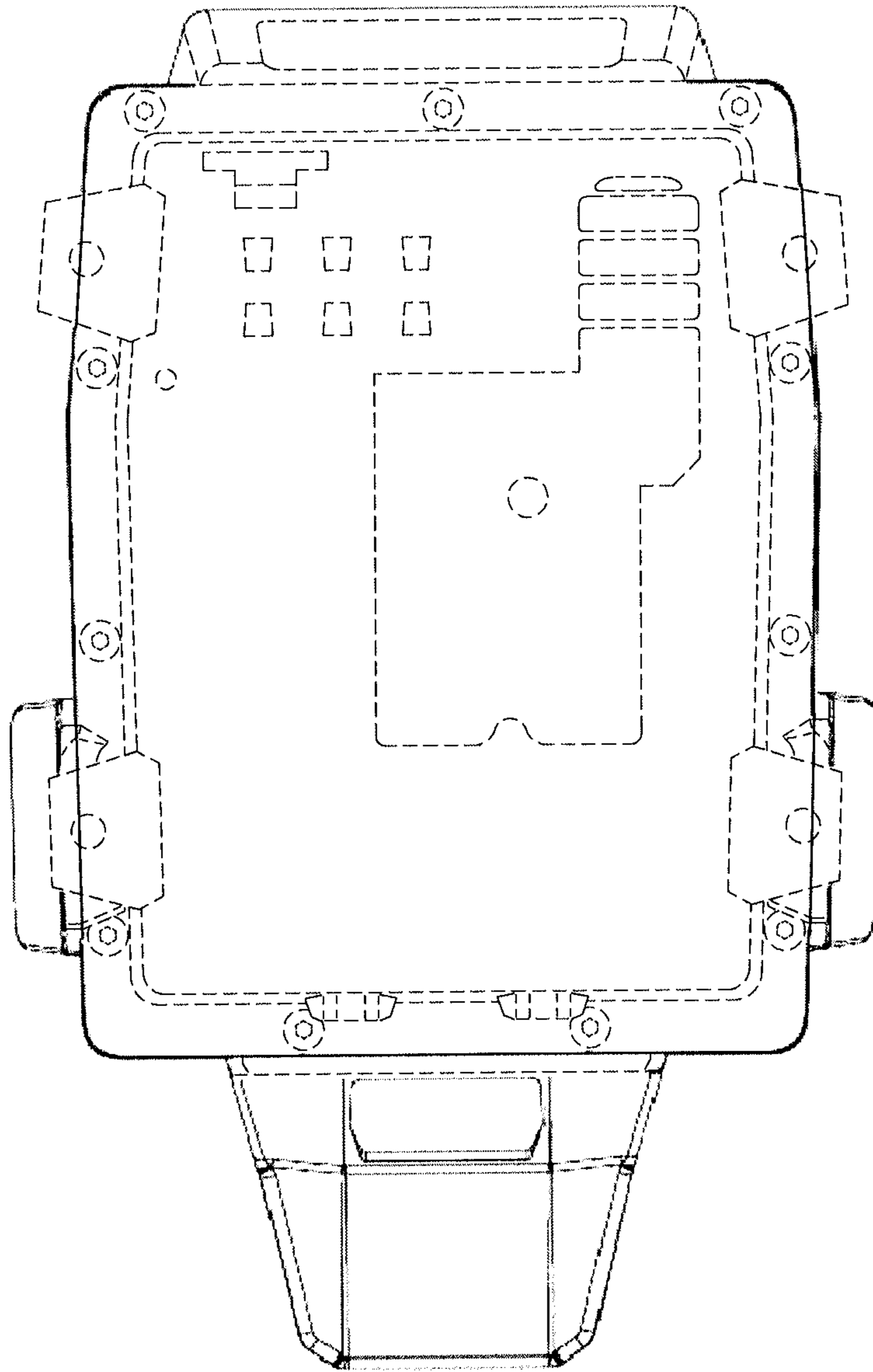


FIG. 4