



US00D735706S

(12) **United States Design Patent**
Stevinson

(10) **Patent No.:** **US D735,706 S**
(45) **Date of Patent:** **** Aug. 4, 2015**

(54) **SEPARABLE EXOSKELETON EARPHONE CASE**

DESCRIPTION

- (71) Applicant: **Dean Stevenson**, Centennial, CO (US)
- (72) Inventor: **Dean Stevenson**, Centennial, CO (US)
- (**) Term: **14 Years**
- (21) Appl. No.: **29/445,396**
- (22) Filed: **Feb. 11, 2013**
- (51) **LOC (10) Cl.** **14-03**
- (52) **U.S. Cl.**
USPC **D14/250**
- (58) **Field of Classification Search**
USPC D14/250–251, 253, 204, 496, 138 AA,
D14/138 AB, 138 AD, 138 G, 217, 238.1,
D14/248, 348, 356, 440; D3/201, 218, 269,
D3/301, 303; 455/575.1–575.8; 206/305,
206/320; D13/103, 107–108
See application file for complete search history.

(56) **References Cited**

U.S. PATENT DOCUMENTS

363,495 A	5/1887	Wilson, Jr.
D22,417 S	5/1893	Scheuer

(Continued)

FOREIGN PATENT DOCUMENTS

WO	WO 2012/177285	12/2012
WO	WO 2014/124445	8/2014

OTHER PUBLICATIONS

Ex Parte Quayle Action corresponding to U.S. Appl. No. 29/409,525, mailed Sep. 26, 2012, 6 pgs.

(Continued)

Primary Examiner — Catheri Oliver-Garcia

(74) *Attorney, Agent, or Firm* — Lathrop & Gage LLP

(57) **CLAIM**

The ornamental design for a separable exoskeleton earphone case, as shown and described.

FIG. 1 is a first frontside perspective view of an embodiment of the separable exoskeleton earphone case comprising an earphone storage portion and a digital media device (DMD) protective portion, showing the earphone storage portion separated from the DMD protective portion, and with a door of the earphone storage portion in a closed position;

FIG. 2 is a second frontside perspective view of the embodiment of the separable exoskeleton earphone case, showing the earphone storage portion separated from the DMD protective portion, and with the door in an open position;

FIG. 3 is a bottom plan view of the embodiment of the separable exoskeleton earphone case, showing the earphone storage portion separated from the DMD protective portion, and with the door in the closed position;

FIG. 4 is a top plan view of the embodiment of the separable exoskeleton earphone case, showing the earphone storage portion separated from the DMD protective portion, and with the door in the closed position;

FIG. 5 is a left side elevation of the embodiment of the separable exoskeleton earphone case, showing the earphone storage portion separated from the DMD protective portion, and with the door in the closed position;

FIG. 6 is a right side elevation of the embodiment of the separable exoskeleton earphone case, showing the earphone storage portion separated from the DMD protective portion, and with the door in the closed position;

FIG. 7 is a front elevation of the embodiment of the separable exoskeleton earphone case, showing the earphone storage portion separated from the DMD protective portion, and with the door in the closed position;

FIG. 8 is a rear elevation of the embodiment of the separable exoskeleton earphone case, showing the earphone storage portion separated from the DMD protective portion;

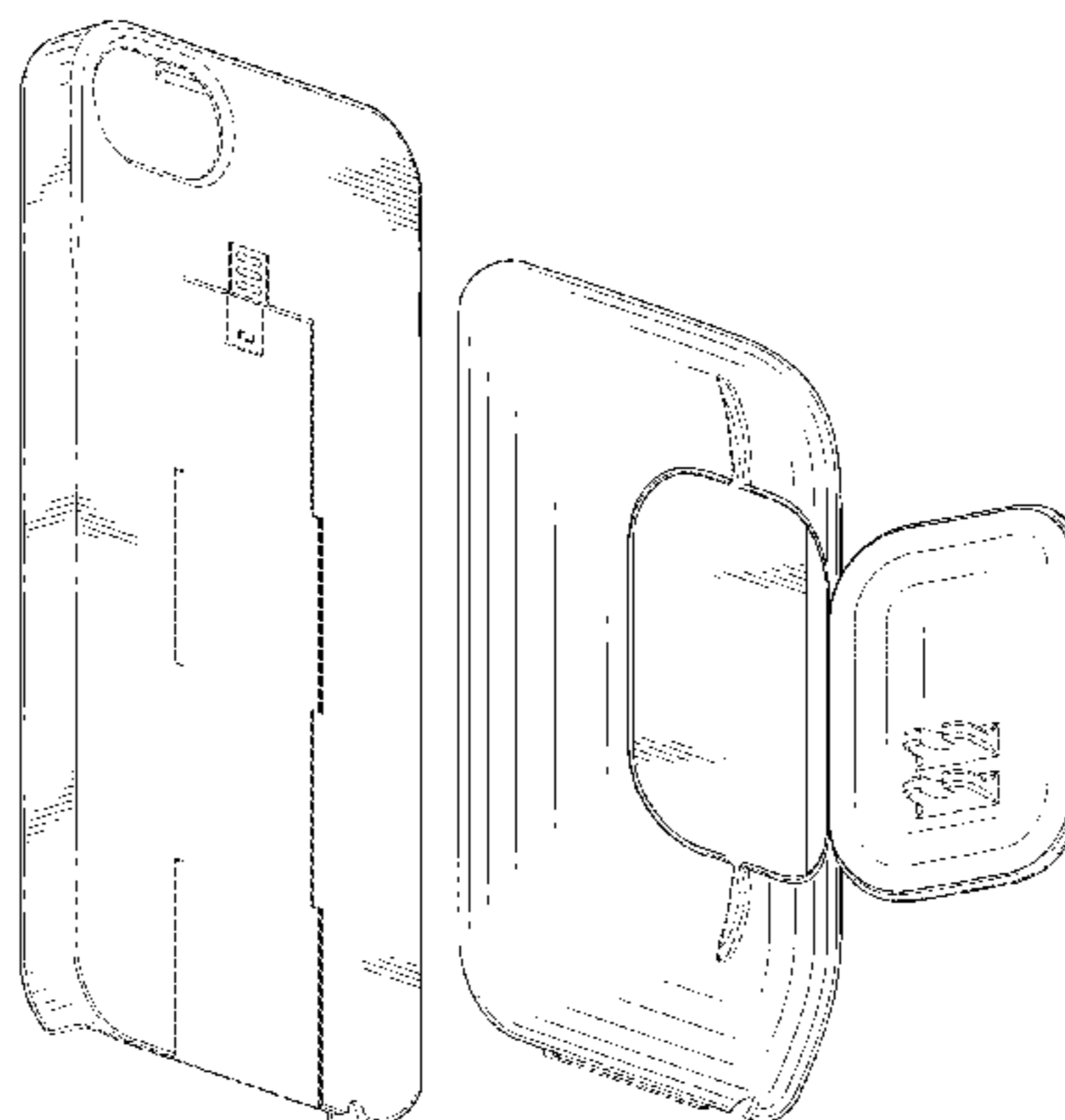
FIG. 9 is a backside perspective view of the embodiment of the separable exoskeleton earphone case, showing the earphone storage portion separated from the DMD protective portion;

FIG. 10 is a frontside perspective view of the embodiment of the separable exoskeleton earphone case, showing the earphone storage portion coupled with the DMD protective portion, and with the door in the closed position; and,

FIG. 11 is a frontside perspective view of the embodiment of the separable exoskeleton earphone case, showing the earphone storage portion coupled with the DMD protective portion, and with the door in the open position.

Broken lines indicate optional features of the Separable Combo Case that form no part of the claimed design.

1 Claim, 9 Drawing Sheets



(56)

References Cited

U.S. PATENT DOCUMENTS

1,426,537 A 8/1922 Bauer
 2,287,368 A 6/1942 Anderson
 D136,783 S 12/1943 Veck
 2,396,906 A 3/1946 Windson
 2,981,990 A 5/1961 Balderree, Jr.
 3,161,723 A 12/1964 Flower et al.
 D209,330 S 11/1967 Coderre et al.
 3,353,232 A 11/1967 Brownson
 3,465,391 A 9/1969 Armstrong
 D221,511 S 8/1971 Dufault
 3,736,925 A 6/1973 Erman
 3,785,080 A 1/1974 Wallace
 D235,850 S 7/1975 Diforte, Jr. et al.
 3,953,911 A 5/1976 Fishack
 4,270,247 A 6/1981 Freedom
 D284,299 S 6/1986 Auerbach et al.
 4,680,886 A 7/1987 Caselli, Sr.
 D347,989 S 6/1994 De Ward
 5,383,091 A 1/1995 Snell
 5,867,355 A 2/1999 Arai et al.
 5,984,224 A 11/1999 Yang
 6,006,915 A 12/1999 Moor
 6,254,114 B1 7/2001 Pulling et al.
 6,370,401 B1 4/2002 Baranowski et al.
 6,434,249 B1 8/2002 Wei
 6,542,757 B2 4/2003 Bae
 6,601,808 B1 8/2003 Nagel
 6,633,770 B1 10/2003 Gitzinger et al.
 D485,834 S 1/2004 Davetas
 D488,460 S 4/2004 Alwicker et al.
 6,847,724 B1 1/2005 Weng et al.
 D502,388 S 3/2005 Cortez et al.
 D508,605 S 8/2005 Hwang et al.
 6,928,704 B2 8/2005 Johnson
 D514,923 S 2/2006 Brown
 D519,275 S 4/2006 Shertzer
 7,086,512 B2 8/2006 Shack et al.
 D529,288 S 10/2006 Ham
 D553,352 S 10/2007 Allen
 D556,020 S 11/2007 Whitney
 D565,290 S 4/2008 Brandenburg et al.
 D576,785 S 9/2008 TerMeer
 D576,867 S 9/2008 Kretz
 D582,405 S 12/2008 Andre et al.
 7,492,917 B2 2/2009 Ito
 7,500,644 B2 3/2009 Naudet et al.
 D592,399 S 5/2009 Sage
 D593,062 S 5/2009 Lee et al.
 D596,480 S 7/2009 Murphy
 D600,673 S 9/2009 Kim et al.
 D601,879 S 10/2009 Kim et al.
 D601,992 S 10/2009 Choi et al.
 D603,376 S 11/2009 Blasko
 D604,501 S 11/2009 Lee
 D606,529 S 12/2009 Ferrari et al.
 7,669,829 B2 3/2010 Ogatsu
 D615,078 S 5/2010 Bradley
 D620,781 S 8/2010 Weckworth
 D621,393 S 8/2010 Panahi et al.
 D623,642 S 9/2010 Wang
 D624,064 S 9/2010 Esposito
 D624,304 S 9/2010 Danze et al.
 7,801,322 B2 9/2010 Chiu
 D626,129 S 10/2010 Lutz
 D634,115 S 3/2011 Long, Jr. et al.
 D635,555 S 4/2011 Giles
 D638,398 S 5/2011 Morison
 D641,974 S 7/2011 Stampfli
 D643,433 S 8/2011 Hsieh et al.
 D644,428 S 9/2011 Feng
 D644,639 S 9/2011 Weller et al.
 D645,032 S 9/2011 Fathollahi
 8,016,107 B2 9/2011 Emsky
 D647,892 S 11/2011 Ragde, Jr.
 D651,791 S 1/2012 Cataldo et al.

D653,656 S 2/2012 Charnas et al.
 D654,931 S 2/2012 Lemelman et al.
 D657,137 S 4/2012 Weller et al.
 D661,482 S 6/2012 Chang et al.
 D667,823 S 9/2012 Merenda
 D667,910 S 9/2012 Behr
 D673,936 S 1/2013 Michie et al.
 D673,940 S 1/2013 Chang et al.
 D673,941 S 1/2013 Melanson et al.
 8,345,913 B2 1/2013 Pang et al.
 D676,021 S 2/2013 Stevinson
 D676,022 S 2/2013 Stevinson
 D676,416 S 2/2013 Stevinson
 D681,026 S 4/2013 Weller et al.
 D682,807 S 5/2013 Stevinson
 D683,955 S 6/2013 Melanson et al.
 D685,344 S 7/2013 Mercs
 8,485,404 B2 7/2013 Monaco et al.
 D688,234 S 8/2013 Esses
 D688,654 S 8/2013 Stevinson
 D688,655 S 8/2013 Rey-Hipolito et al.
 D689,303 S 9/2013 Davison
 D691,581 S 10/2013 Mercs et al.
 8,579,172 B2 11/2013 Monaco et al.
 D698,772 S 2/2014 Merenda
 D703,650 S 4/2014 Ehrlich
 D703,651 S 4/2014 Ehrlich
 D704,181 S 5/2014 Stevinson
 D705,199 S 5/2014 Huang et al.
 D705,764 S 5/2014 Thoni
 8,720,683 B2 5/2014 Mao
 8,774,446 B2 7/2014 Merenda
 8,783,531 B2 7/2014 Kroupa
 8,787,610 B2 7/2014 Stevinson
 D710,346 S 8/2014 Smith et al.
 8,842,872 B2 9/2014 Stevinson
 D719,950 S * 12/2014 Smith et al. D14/250
 D720,330 S 12/2014 Stevinson
 D720,718 S 1/2015 Stevinson
 D720,740 S * 1/2015 Wicks et al. D14/250
 2001/0035242 A1 11/2001 Hughs et al.
 2002/0079244 A1 6/2002 Kwong
 2003/0096640 A1 5/2003 Bae
 2003/0157973 A1 8/2003 Yang
 2005/0150796 A1 7/2005 Wong et al.
 2006/0287006 A1 12/2006 McIntyre et al.
 2007/0154048 A1 7/2007 Chang
 2008/0009329 A1 1/2008 Adler
 2008/0053851 A1 3/2008 Ko et al.
 2008/0080732 A1 4/2008 Sneed
 2008/0090626 A1 4/2008 Griffin et al.
 2008/0242376 A1 10/2008 Lin et al.
 2009/0036175 A1 2/2009 Bradenburg et al.
 2009/0242364 A1 10/2009 Prest et al.
 2010/0096284 A1 4/2010 Bau
 2011/0077061 A1 3/2011 Danze et al.
 2011/0130174 A1 6/2011 Kroupa
 2011/0203954 A1 8/2011 Kroupa
 2011/0317865 A1 12/2011 Stevinson
 2012/0077556 A1 3/2012 McKendrick
 2013/0140195 A1 6/2013 Law et al.
 2013/0148839 A1 6/2013 Stevinson
 2013/0208937 A1 8/2013 Stern et al.
 2013/0237290 A1 9/2013 Simmons, Jr. et al.
 2014/0079237 A1 3/2014 Cataldo et al.
 2014/0105441 A1 4/2014 Kroupa

OTHER PUBLICATIONS

International Search Report with Written Opinion corresponding to International Patent Application No. PCT/US2011/067263, mailed Jul. 11, 2012, 13 pgs.
 Notice of Allowance corresponding to U.S. Appl. No. 13/336,918, mailed Mar. 14, 2014, 11 pgs.
 Notice of Allowance corresponding to U.S. Appl. No. 13/764,666, mailed May 16, 2014, 10 pgs.
 Notice of Allowance corresponding to U.S. Appl. No. 29/409,520, mailed Oct. 3, 2012, 8 pgs.

(56)

References Cited

OTHER PUBLICATIONS

Notice of Allowance corresponding to U.S. Appl. No. 29/409,521, mailed Sep. 26, 2012, 7 pgs.
Notice of Allowance corresponding to U.S. Appl. No. 29/409,525, mailed Jan. 9, 2013, 8 pgs.
Notice of Allowance corresponding to U.S. Appl. No. 29/409,528, mailed Sep. 26, 2012, 8 pgs.
Notice of Allowance corresponding to U.S. Appl. No. 29/409,531, mailed Dec. 6, 2013, 11 pgs.
Notice of Allowance corresponding to U.S. Appl. No. 29/409,535, mailed Apr. 15, 2013, 7 pgs.
Notice of Allowance corresponding to U.S. Appl. No. 29/445,399, mailed Oct. 7, 2014, 11 pgs.
Notice of Allowance corresponding to U.S. Appl. No. 29/445,400, mailed Oct. 10, 2014, 12 pgs.
Notice of Allowance corresponding to U.S. Appl. No. 29/445,401, mailed Aug. 22, 2014, 8 pgs.
Notice of Allowance corresponding to U.S. Appl. No. 29/445,402, mailed Aug. 21, 2014, 8 pgs.
Notice of Allowance corresponding to U.S. Appl. No. 29/445,403, mailed Oct. 22, 2014, 12 pgs.
Office Action corresponding to U.S. Appl. No. 13/167,662, mailed Sep. 25, 2014, 9 pgs.
Office Action corresponding to U.S. Appl. No. 13/336,918, mailed Sep. 25, 2013, 14 pgs.
Office Action corresponding to U.S. Appl. No. 29/409,529, mailed Dec. 4, 2013, 13 pgs.
Office Action corresponding to U.S. Appl. No. 29/409,529, mailed May 13, 2014, 9 pgs.
Office Action corresponding to U.S. Appl. No. 29/409,547, mailed Jan. 8, 2013, 7 pgs.
Office Action corresponding to U.S. Appl. No. 29/409,547, mailed Jul. 23, 2013, 7 pgs.

Office Action corresponding to U.S. Appl. No. 29/445,408, mailed Oct. 3, 2014, 11 pgs.
Response to Office Action corresponding to U.S. Appl. No. 13/336,918, filed Dec. 20, 2013, 9 pgs.
Response to Office Action corresponding to U.S. Appl. No. 29/409,529, filed Mar. 3, 2014, 16 pgs.
Response to Office Action corresponding to U.S. Appl. No. 29/409,547, filed Apr. 8, 2013, 9 pgs.
Response to Restriction Requirement corresponding to U.S. Appl. No. 29/445,397, filed Oct. 27, 2014, 5 pgs.
Restriction Requirement corresponding to U.S. Appl. No. 29/445,397, mailed Aug. 28, 2014, 7 pgs.
Restriction Requirement corresponding to U.S. Appl. No. 29/453,281, mailed Sep. 4, 2014, 7 pgs.
Notice of Allowance corresponding to U.S. Appl. No. 29/445,397, mailed Nov. 24, 2014, 10 pgs.
Office Action, U.S. Appl. No. 13/167,662 mailed as Jan. 15, 2015, 9 pgs.
Response to Office Action, U.S. Appl. No. 13/167,662 filed Dec. 22, 2014, 12 pgs.
Notice of Allowance corresponding to U.S. Appl. No. 29/445,405 dated Jan. 16, 2015, 8 pgs.
Notice of Allowance corresponding to U.S. Appl. No. 29/445,408 dated Feb. 11, 2015, 8 pages.
Response to Office Action corresponding to U.S. Appl. No. 29/445,408 filed Dec. 30, 2014, 7 pgs.
Office Action corresponding to U.S. Appl. No. 29/453,281 dated Nov. 21, 2014, 11 pgs.
European Application No. 11868100.6, Supplementary Search Report dated Nov. 24, 2014, 7 pages.
Kickstarter, <http://www.kickstarter.com/projects/1695629752/iheadcase-cases-with-concealed-headphone-storage-s>. Accessed on the Internet Oct. 7, 2013; 13 pages.

* cited by examiner

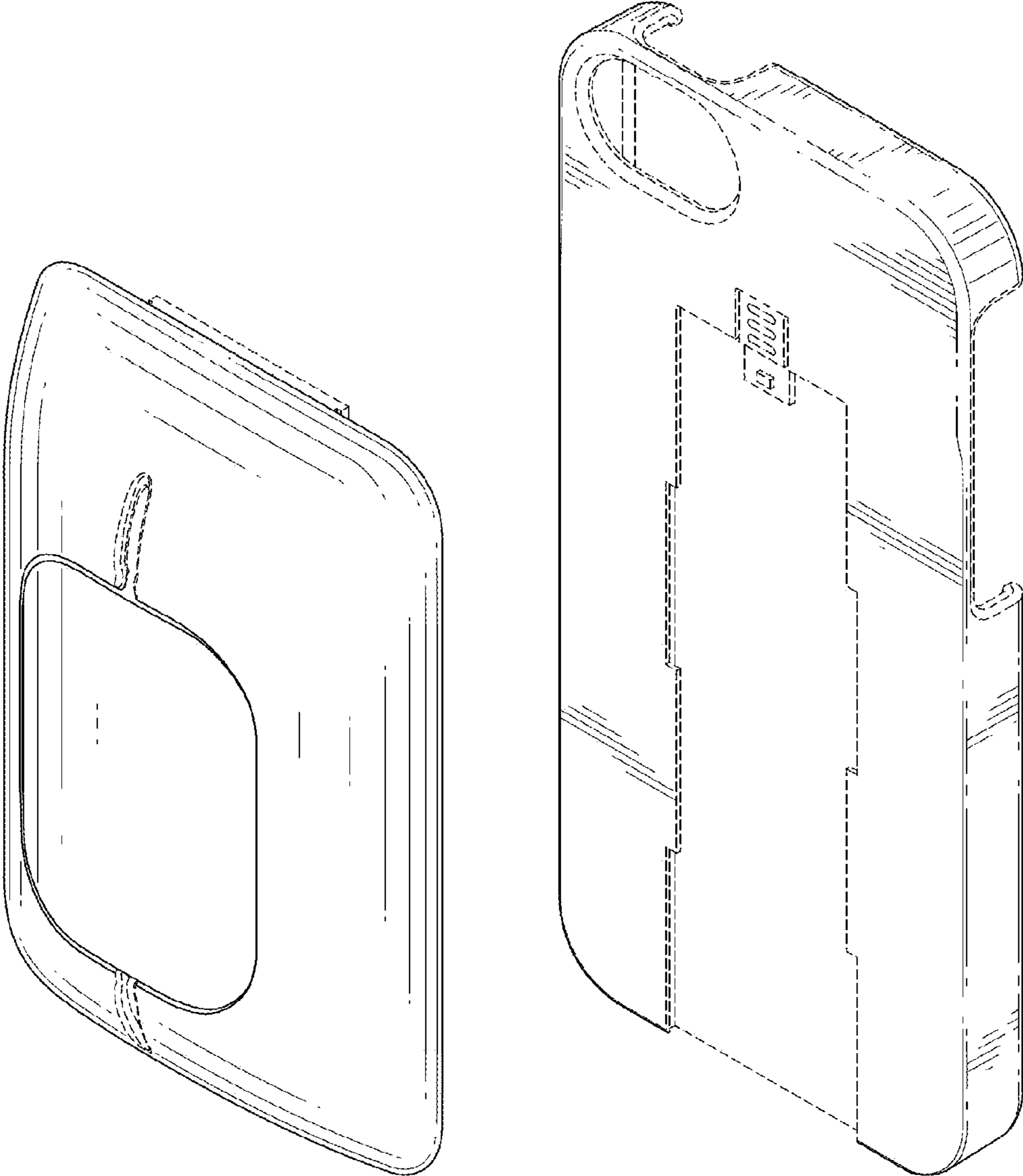


FIG. 1

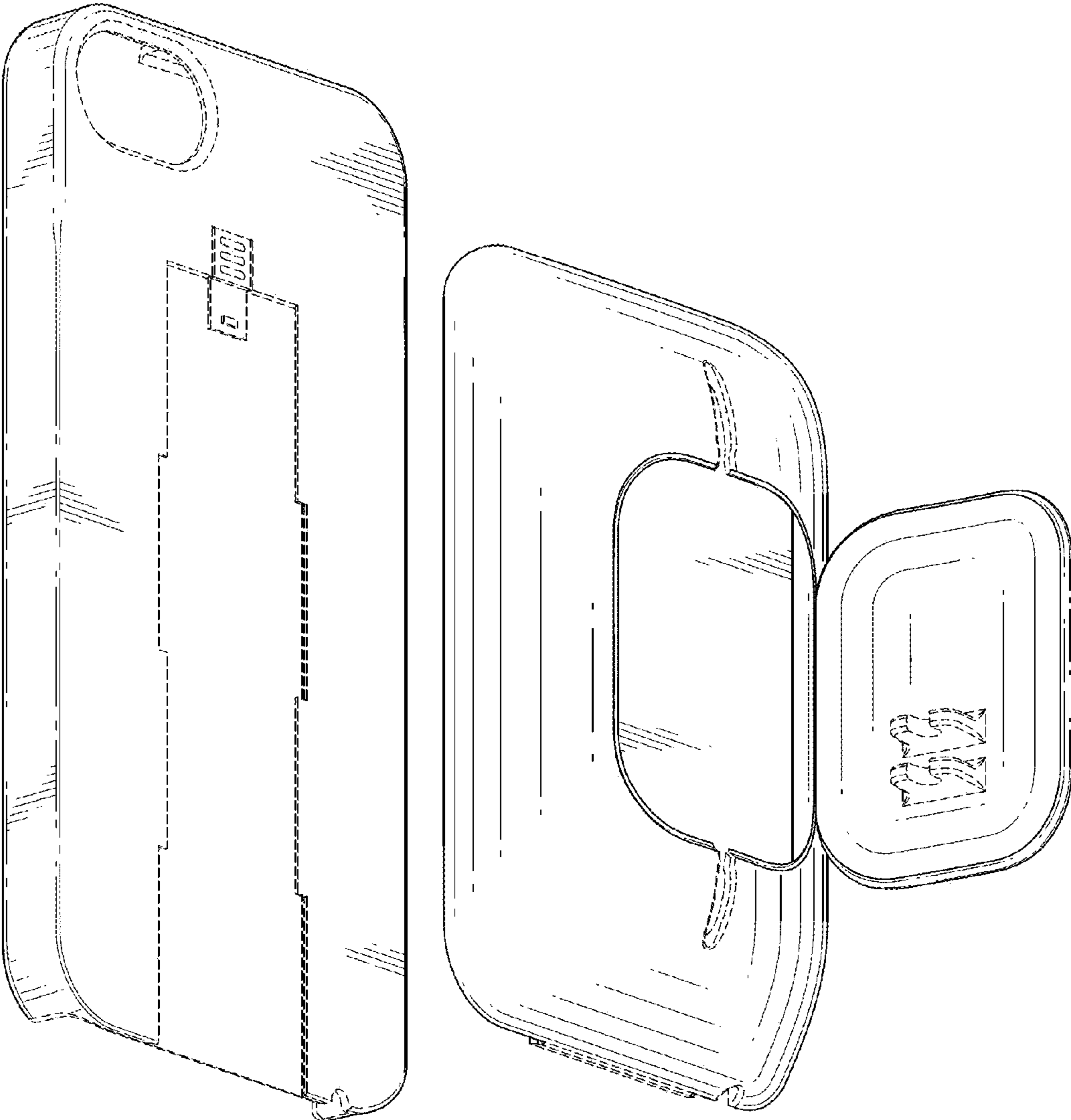


FIG. 2

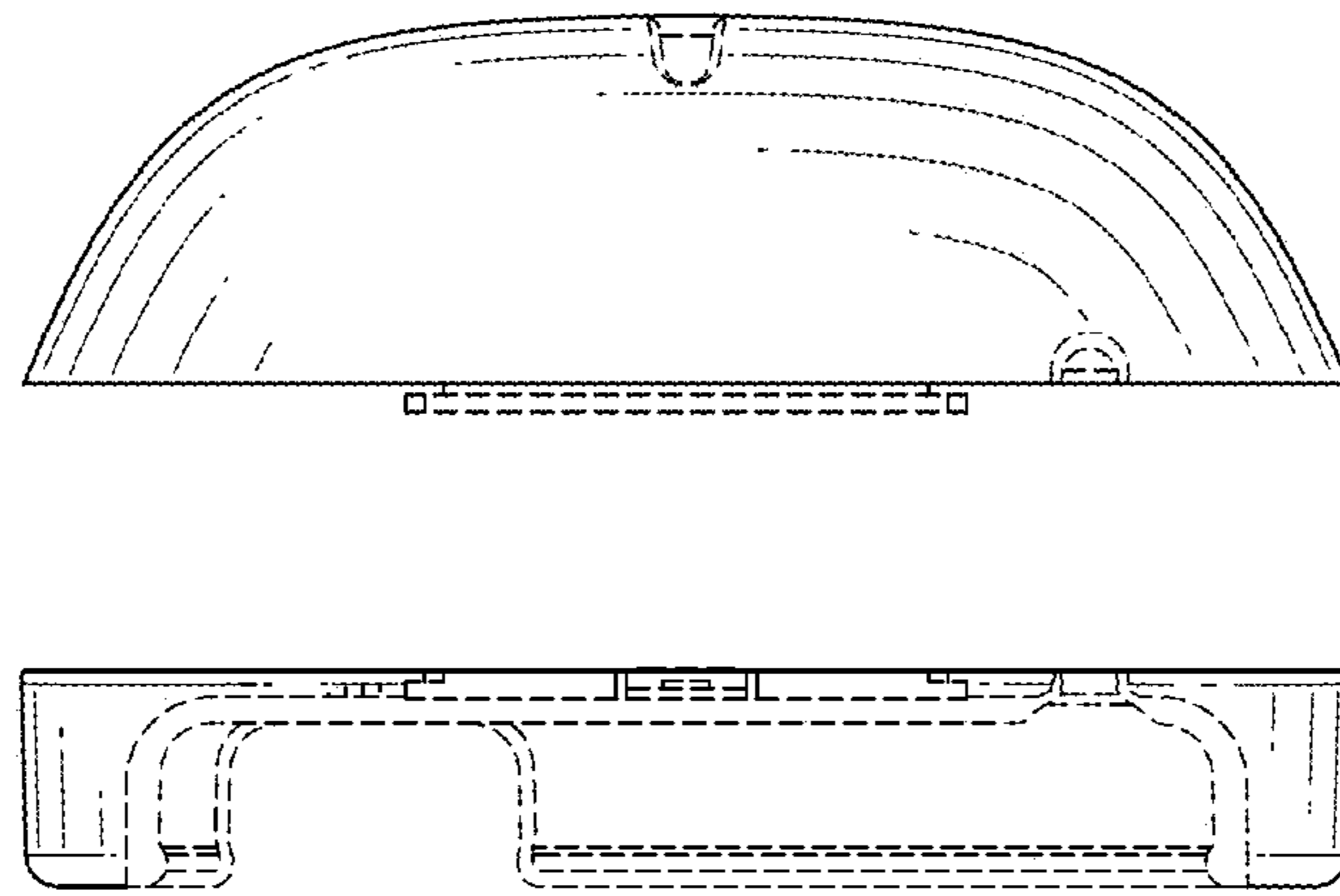


FIG. 3

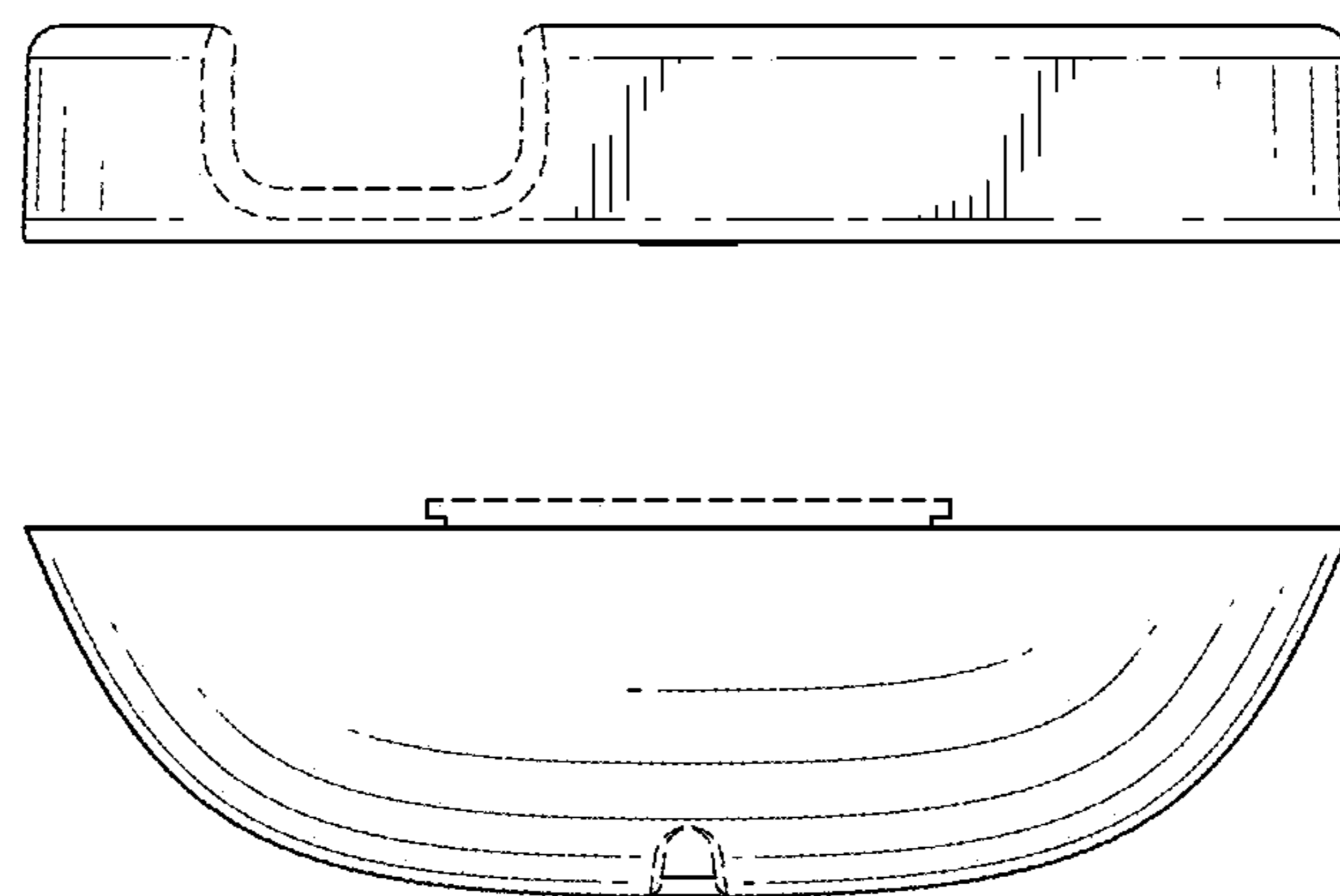


FIG. 4

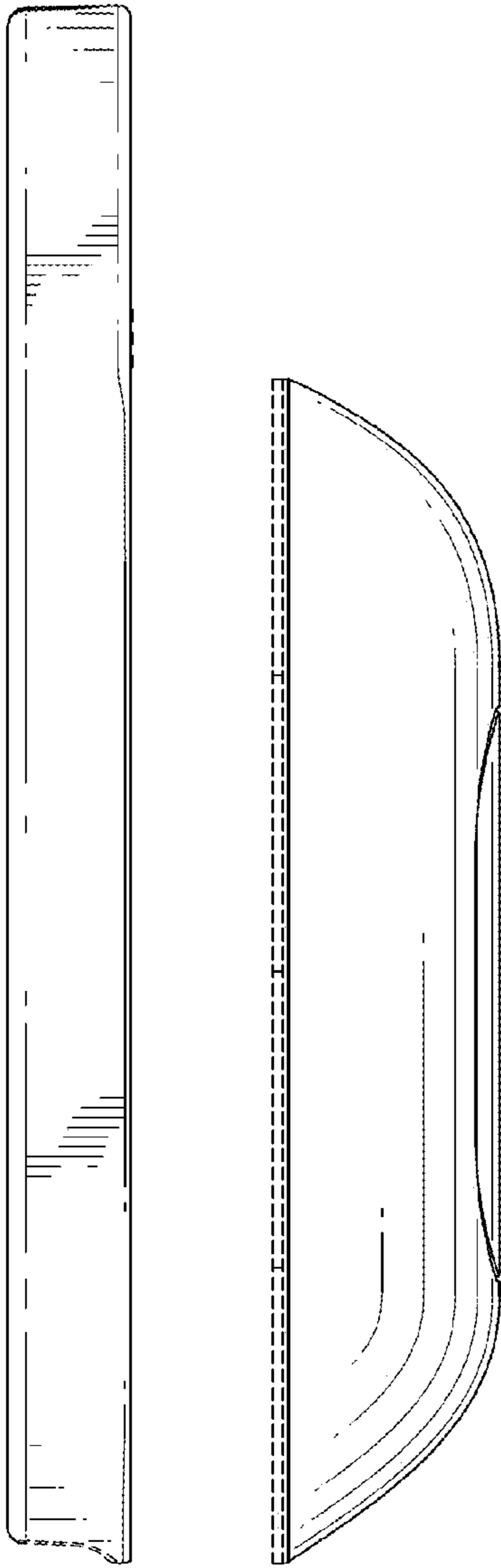


FIG. 5

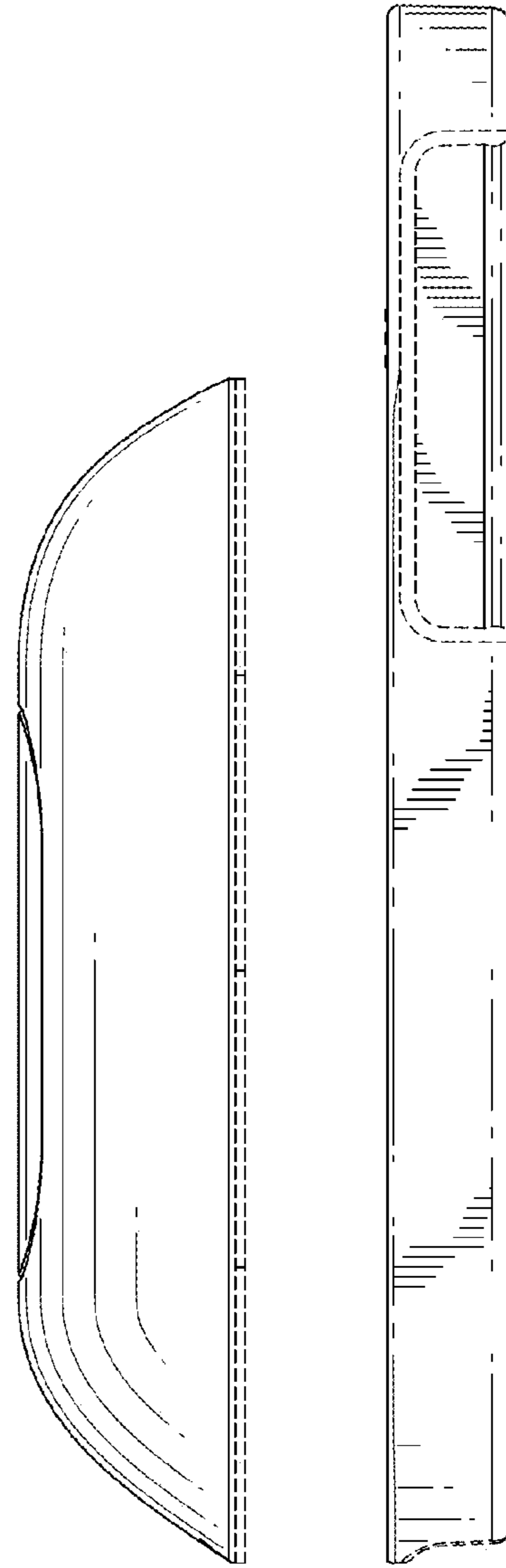


FIG. 6

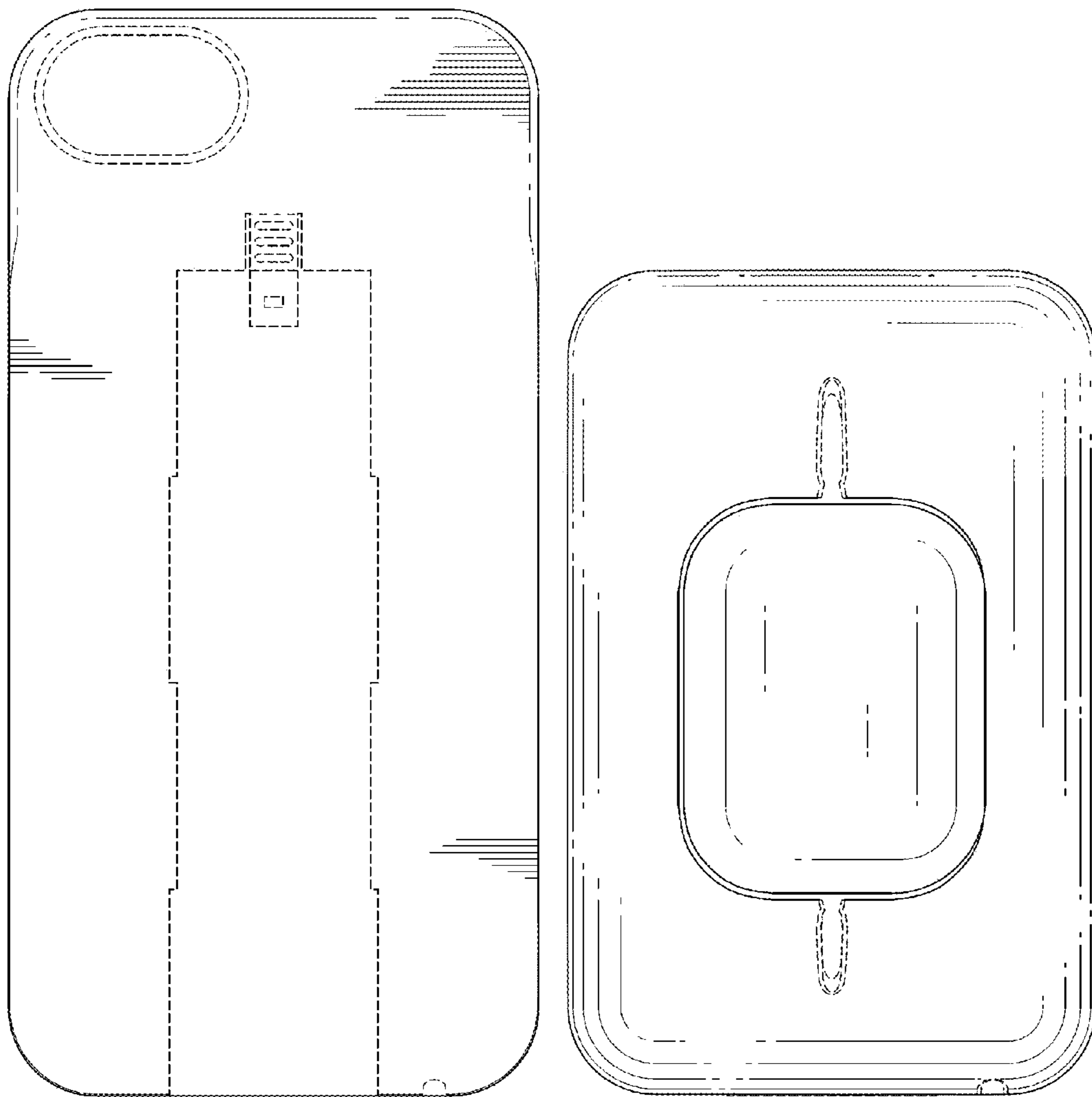


FIG. 7

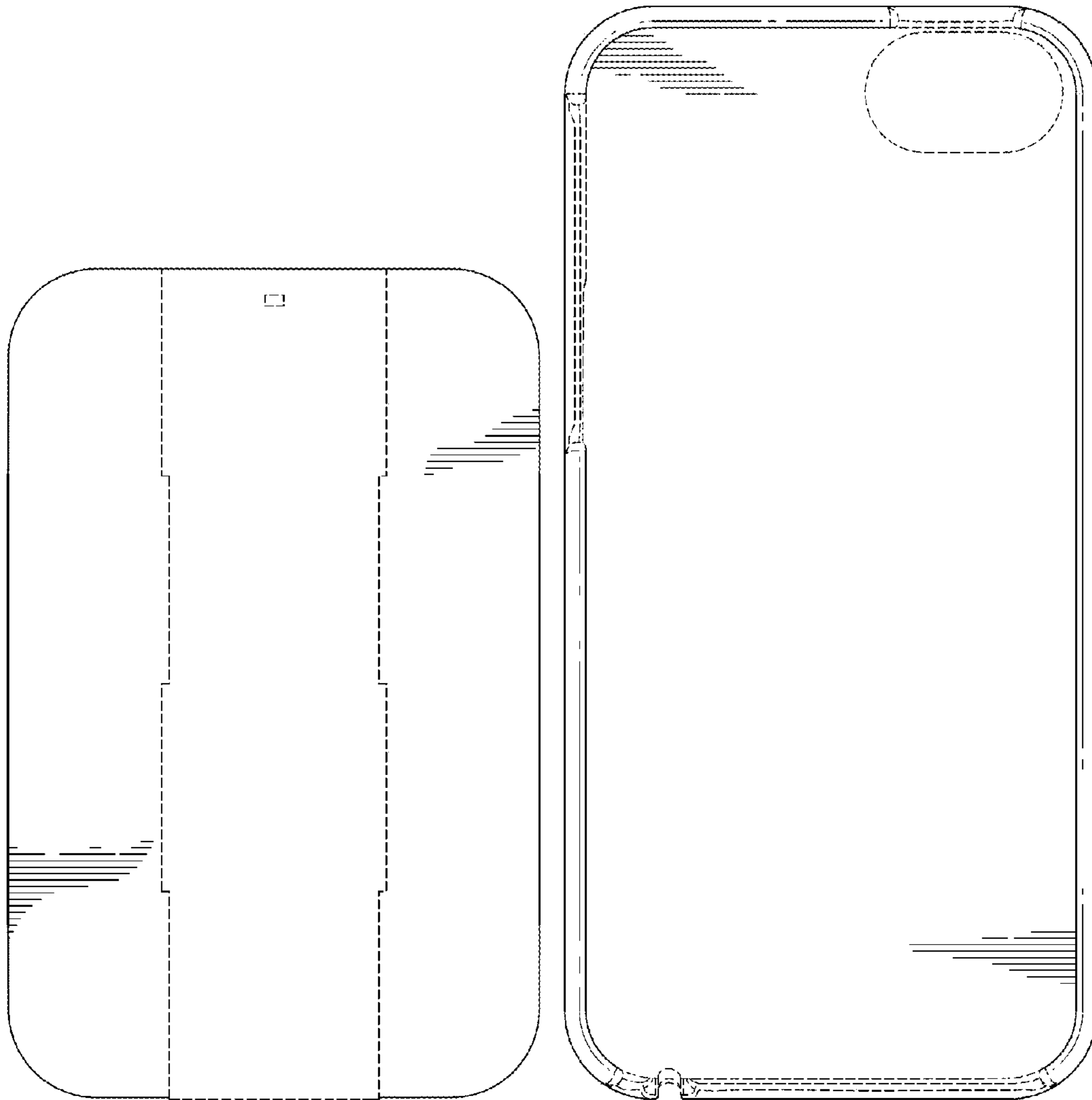


FIG. 8



FIG. 9

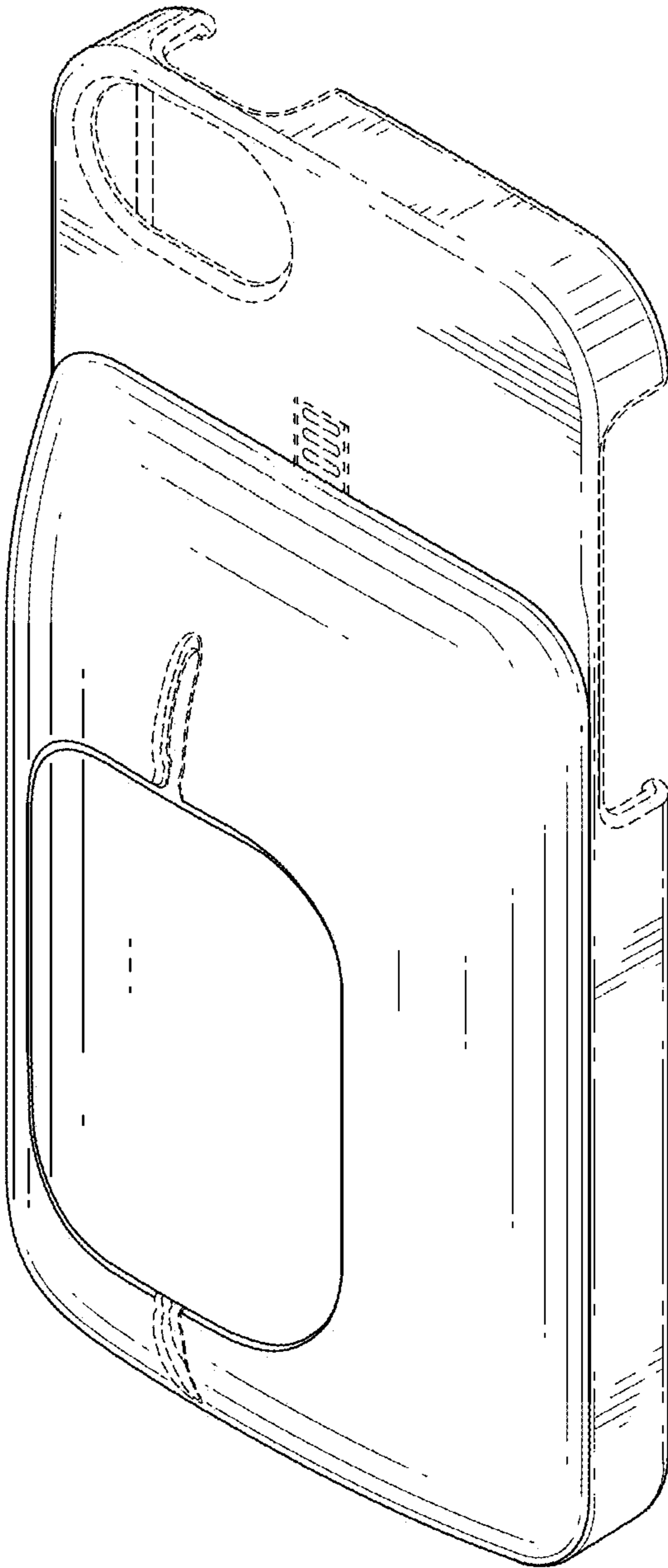


FIG. 10

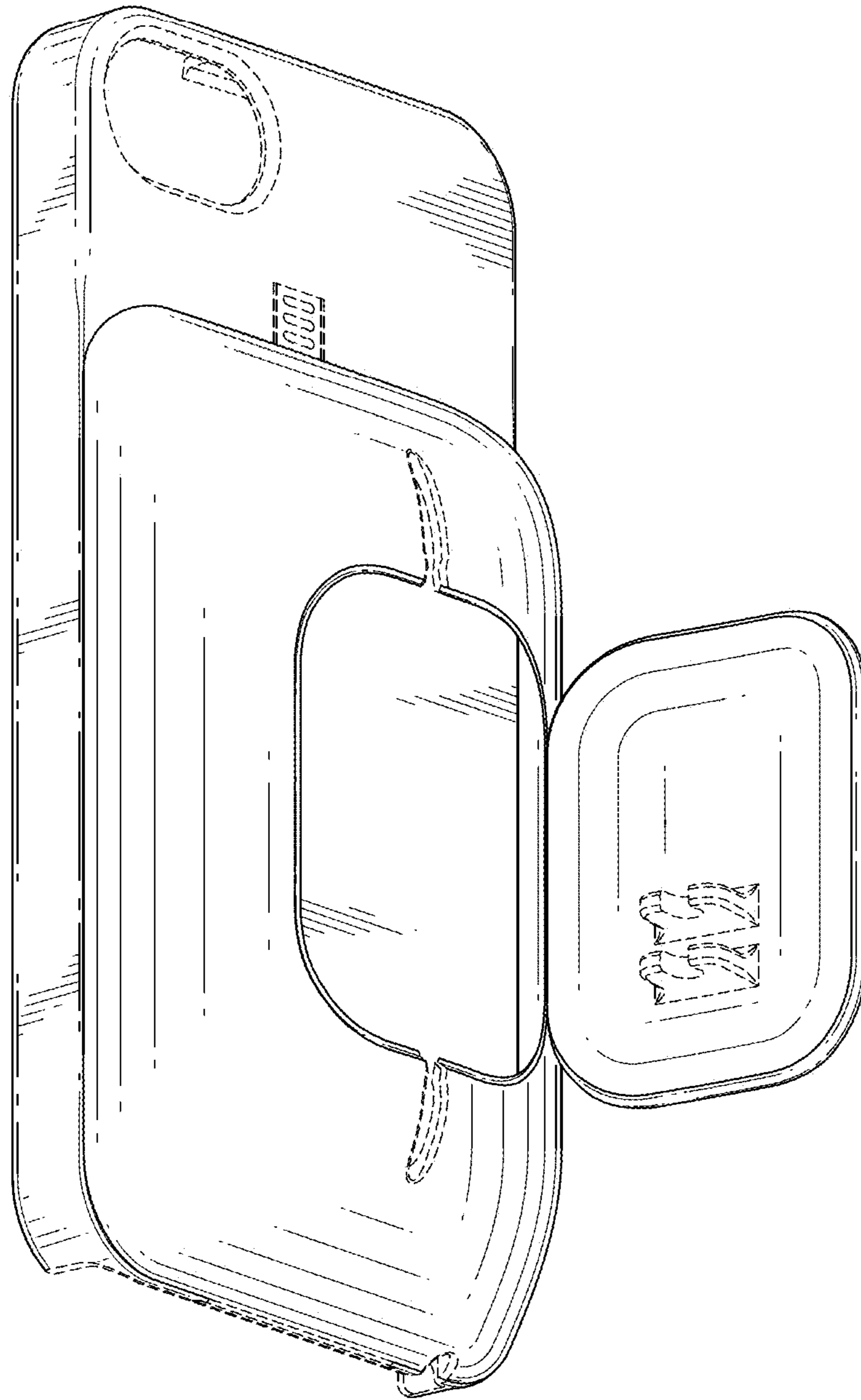


FIG. 11