



US00D735703S

(12) **United States Design Patent**
Reivo et al.

(10) **Patent No.:** **US D735,703 S**
(45) **Date of Patent:** **** Aug. 4, 2015**

(54) **HANDSET**

(71) Applicant: **Nokia Corporation**, Espoo (FI)

(72) Inventors: **Tuomas Reivo**, Helsinki (FI); **Franziska Faoro**, Deventer (NL); **Robert Lihou**, Kent (GB)

(73) Assignee: **MICROSOFT MOBILE OY**, Espoo (FI)

(**) Term: **14 Years**

(21) Appl. No.: **29/457,063**

(22) Filed: **Jun. 6, 2013**

(51) **LOC (10) Cl.** **14-03**

(52) **U.S. Cl.**
USPC **D14/248**

(58) **Field of Classification Search**
USPC D14/138 G, 138 AD, 138 R, 496, 203.1, D14/203.3, 203.5, 203.7, 248, 218, 341, D14/138 AC, 250; D21/517, 329, 331; D13/168; D10/65, 78; 455/575.1, 455/556.1, 556.2; 379/433.01, 433.04; 361/679.3, 679.56; D16/200, 208, 218, D16/219

See application file for complete search history.

(56) **References Cited**

U.S. PATENT DOCUMENTS

D22,649 S *	7/1893	Casler	D16/200
5,383,582 A *	1/1995	Baxter et al.	222/548
D388,449 S *	12/1997	Ohi et al.	D16/202
D465,505 S *	11/2002	Nasu	D16/219
D515,532 S *	2/2006	Shintani	D14/138 AA
D538,252 S *	3/2007	Joung	D14/138 AA
D539,776 S *	4/2007	Wada	D14/138 AA
D542,769 S *	5/2007	Hwang et al.	D14/138 G
D545,800 S *	7/2007	Ou et al.	D14/138 AA
D550,640 S *	9/2007	Dai	D14/138 AD
D551,201 S *	9/2007	Kim et al.	D14/138 AD
D565,015 S *	3/2008	Kim et al.	D14/138 AA

D568,855 S *	5/2008	Wang	D14/138 AB
D572,698 S *	7/2008	Kim et al.	D14/138 AA
D576,141 S *	9/2008	Moon et al.	D14/138 G
D576,990 S *	9/2008	Han et al.	D14/138 AA
D579,435 S *	10/2008	Han et al.	D14/138 AD
D580,392 S *	11/2008	Kim et al.	D14/138 AD
D582,373 S *	12/2008	Cao et al.	D14/138 AA
D583,352 S *	12/2008	Son et al.	D14/138 AA
D591,280 S *	4/2009	Irvine et al.	D14/248
D598,426 S *	8/2009	Kim et al.	D14/203.7
D599,833 S *	9/2009	Dohi et al.	D16/202
D620,467 S *	7/2010	Aarras	D14/138 G
D632,663 S *	2/2011	Oh et al.	D14/138 G

(Continued)

OTHER PUBLICATIONS

Nokia Lumia 1020 telephone, announced Jul. 2013, [online], [site visited Dec. 12, 2014]. Available from Internet, <URL: http://www.gsmarena.com/nokia_lumia_1020-5506.php>.*

(Continued)

Primary Examiner — Jeffrey D Asch

Assistant Examiner — Sanjeev Paul

(74) *Attorney, Agent, or Firm* — Banner & Witcoff, Ltd.

(57)

CLAIM

The ornamental design for a handset, as shown and described.

DESCRIPTION

FIG. 1 is a perspective rear view of a handset showing our new design;

FIG. 2 is a rear view thereof;

FIG. 3 is a left side view thereof;

FIG. 4 is a right side view thereof;

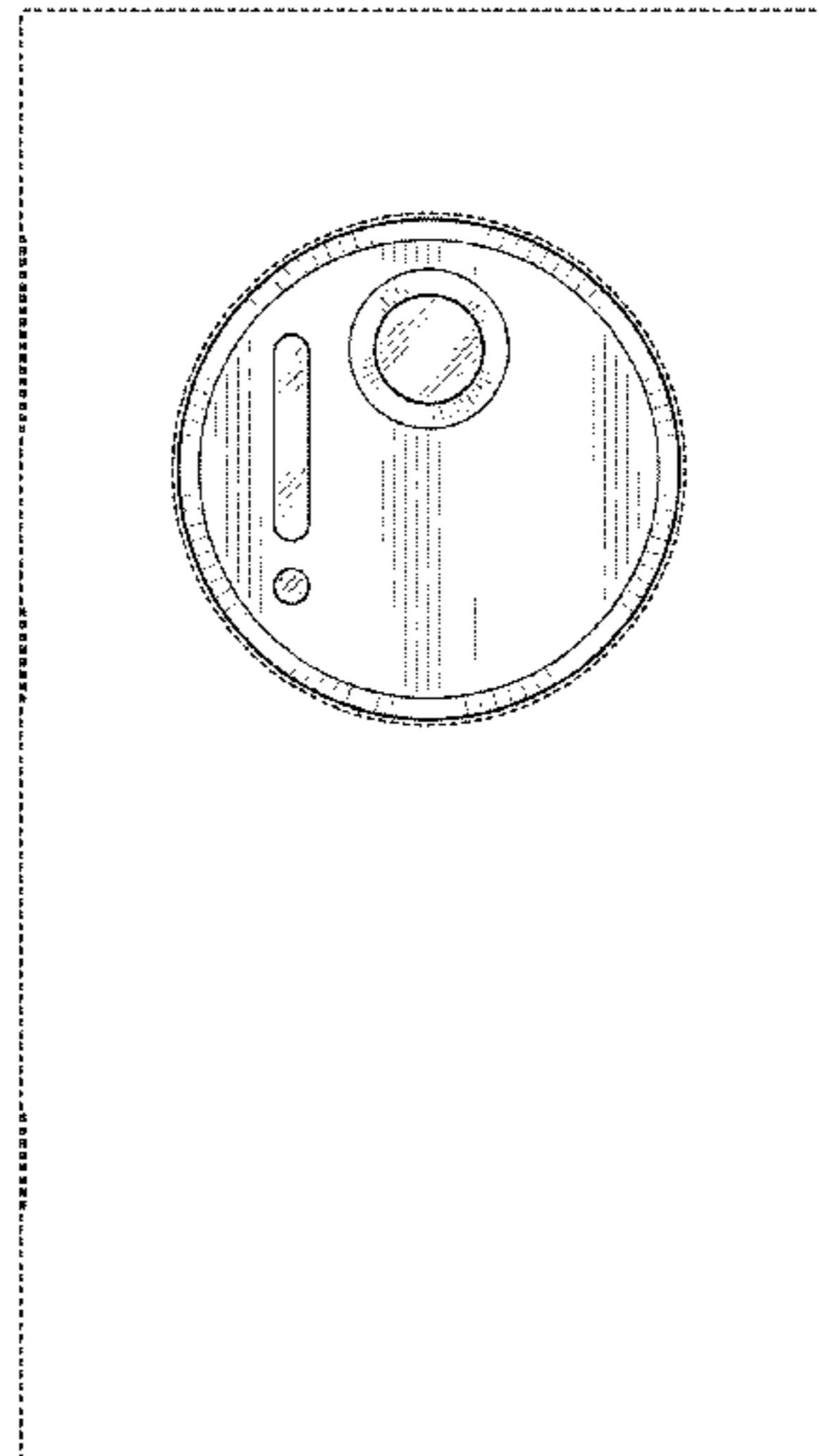
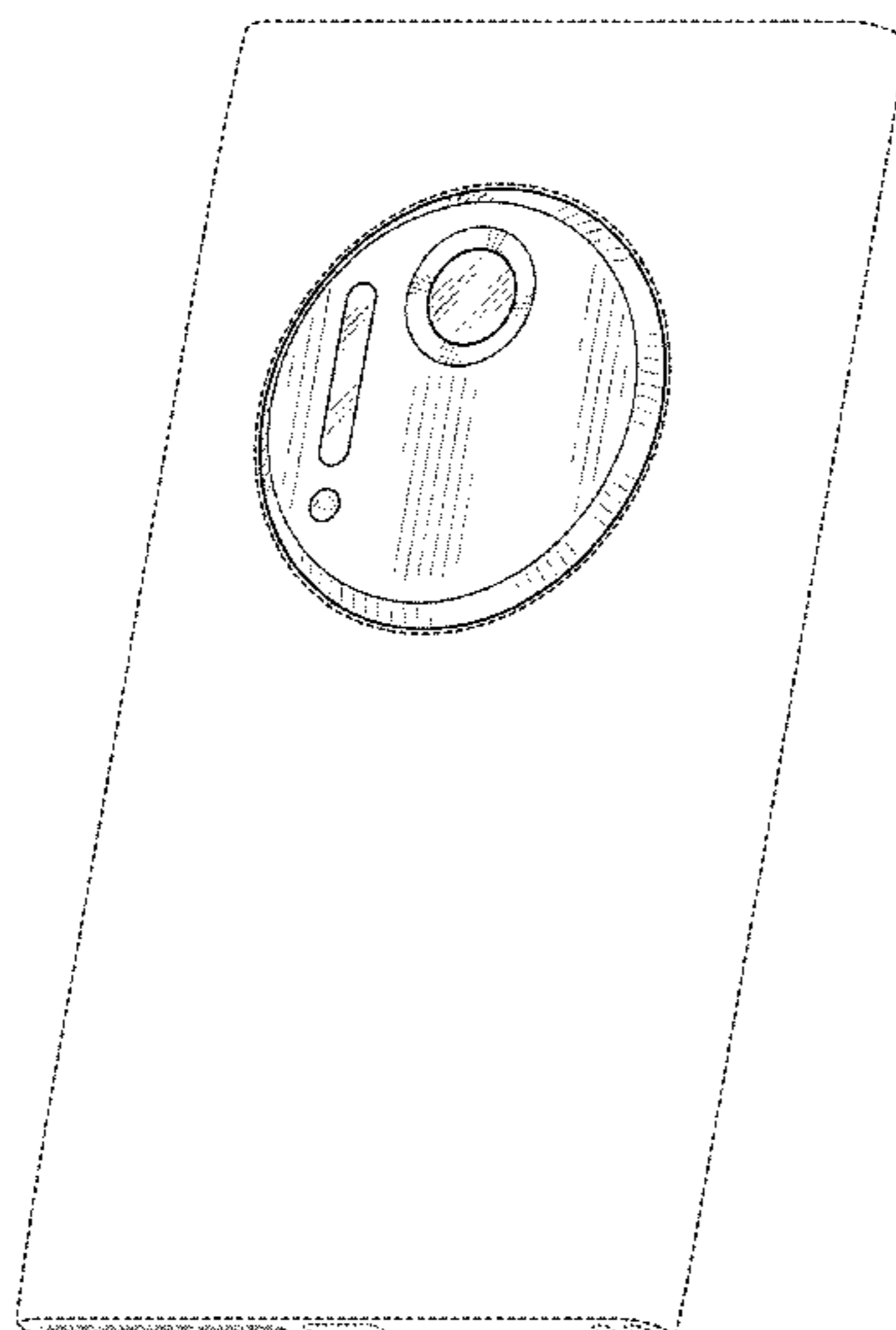
FIG. 5 is a top view thereof;

FIG. 6 is a bottom view thereof; and,

FIG. 7 is a front view thereof.

The broken lines of the handset and the unshaded regions therein are for environmental purposes only and form no part of the claimed design.

1 Claim, 5 Drawing Sheets



(56)

References Cited

U.S. PATENT DOCUMENTS

D633,459 S * 3/2011 Suzuki D14/138 G
 D636,751 S * 4/2011 Lee et al. D14/138 AD
 D645,012 S * 9/2011 Lee et al. D14/138 G
 D652,403 S * 1/2012 Fahlgren et al. D14/138 G
 D654,464 S * 2/2012 Han D14/138 G
 D658,620 S * 5/2012 Lylyk D14/138 G
 D658,621 S * 5/2012 Lylyk D14/138 G
 D660,277 S * 5/2012 Park et al. D14/138 AA
 D662,072 S * 6/2012 Fahlgren et al. D14/138 G
 D665,372 S * 8/2012 Park et al. D14/138 G
 D665,766 S * 8/2012 Eguchi D14/138 G
 D666,980 S * 9/2012 Faoro D14/138 G
 D668,238 S * 10/2012 Kim D14/138 G
 D672,329 S * 12/2012 Fahlgren et al. D14/138 G
 D672,741 S * 12/2012 Lylyk D14/138 G
 D673,926 S * 1/2013 Fahlgren et al. D14/138 G
 D675,178 S * 1/2013 Kim D14/138 G
 D675,179 S * 1/2013 Kim D14/138 G
 D675,589 S * 2/2013 Han et al. D14/138 G
 D677,235 S * 3/2013 Hibi D14/138 G
 D680,092 S * 4/2013 Tsai et al. D14/138 G
 D681,056 S * 4/2013 Akana et al. D14/496
 D682,803 S * 5/2013 Lee et al. D14/138 G
 D683,325 S * 5/2013 Sugiyama D14/138 G
 D684,946 S * 6/2013 Ryu D14/138 G
 D688,639 S * 8/2013 Tsai et al. D14/138 G
 D689,035 S * 9/2013 Ryu D14/138 G
 D689,840 S * 9/2013 Lu D14/138 G
 D692,845 S * 11/2013 Cho D14/138 G
 D692,846 S * 11/2013 Lee et al. D14/138 G
 D694,729 S * 12/2013 Seo et al. D14/138 G
 D694,732 S * 12/2013 Lee et al. D14/138 G
 D696,213 S * 12/2013 Nawaz D14/138 G

D696,641 S * 12/2013 Cho D14/138 G
 D697,887 S * 1/2014 Yin et al. D14/138 G
 D697,889 S * 1/2014 Ahn et al. D14/138 G
 D698,746 S * 2/2014 Kaneta D14/138 G
 D706,302 S * 6/2014 Akana et al. D14/496
 D710,342 S * 8/2014 Fujimura et al. D14/248
 D713,371 S * 9/2014 Daniel D14/138 G
 D717,263 S * 11/2014 Wozniak D14/138 G
 D717,285 S * 11/2014 Fahlgren et al. D14/248
 D718,723 S * 12/2014 Clymer et al. D13/168
 D726,801 S * 4/2015 Kim D16/219
 2005/0026656 A1 * 2/2005 Park et al. 455/557
 2009/0237812 A1 * 9/2009 Tseng et al. 359/808
 2012/0314355 A1 * 12/2012 Miyamatsu et al. 361/679.01
 2013/0300839 A1 * 11/2013 Chai 348/47

OTHER PUBLICATIONS

LG Optimus L7 P700 telephone, announced Feb. 2012, [online], [site visited Dec. 12, 2014]. Available from Internet, <URL: http://www.gsmarena.com/lg_optimus_17_p700-4565.php>.*
 LG Optimus L5 E610 telephone, announced Feb. 2012, [online], [site visited Dec. 12, 2014]. Available from Internet, <URL: http://www.gsmarena.com/lg_optimus_15_e610-4571.php>.*
 Panasonic Eluga DL1 telephone, announced Feb. 2012, [online], [site visited Dec. 12, 2014]. Available from Internet, <URL: http://www.gsmarena.com/panasonic_eluga_dl1-4560.php>.*
 Lenovo K900 telephone, announced Jan. 2013, [online], [site visited Dec. 12, 2014]. Available from Internet, <URL: http://www.gsmarena.com/lenovo_k900-5241.php>.*
 Nokia Lumia 830, announced Sep. 2014, [online], [site visited Apr. 11, 2015]. Available from Internet, <URL: http://www.gsmarena.com/nokia_lumia_830-6638.php>.*

* cited by examiner

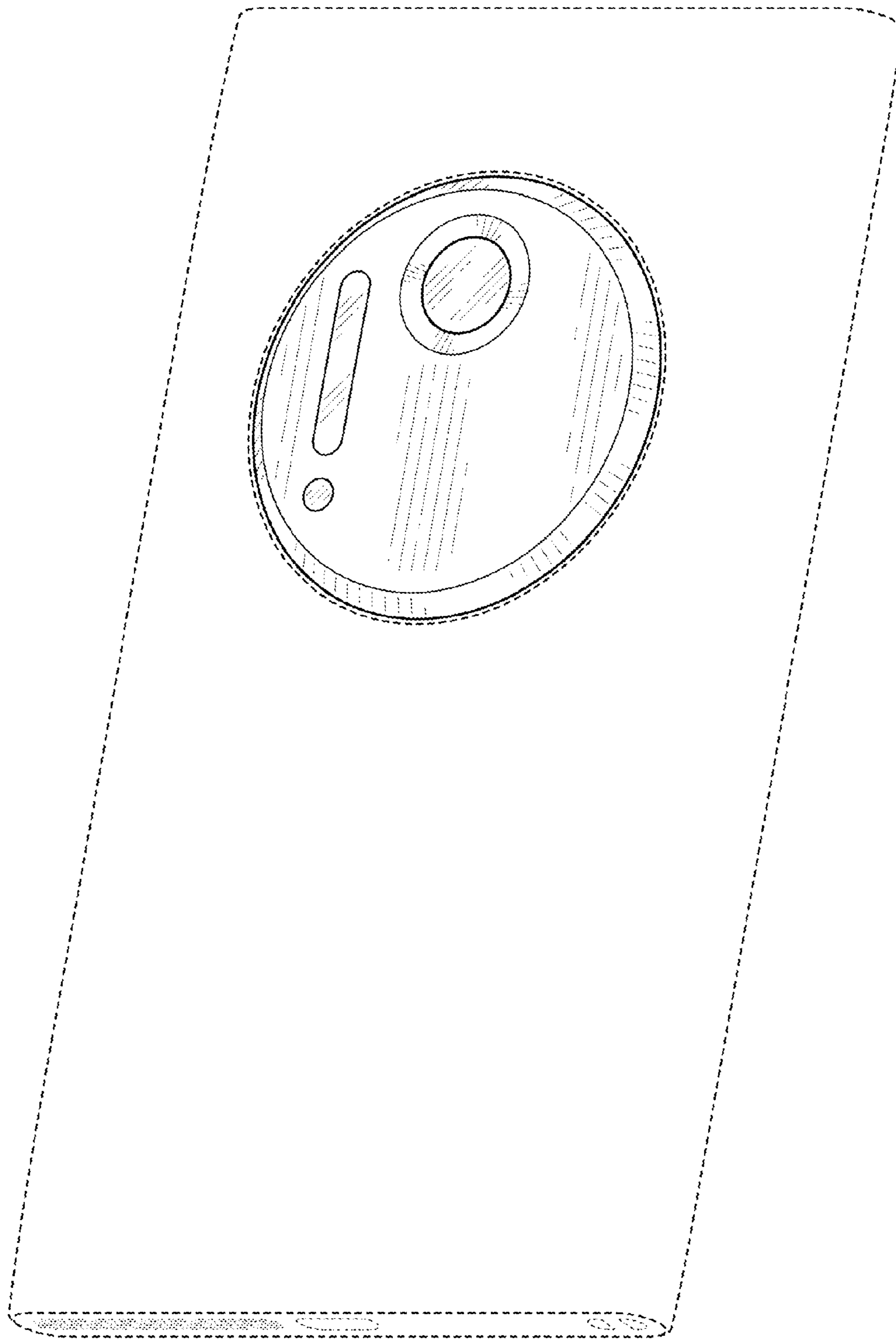


FIG. 1

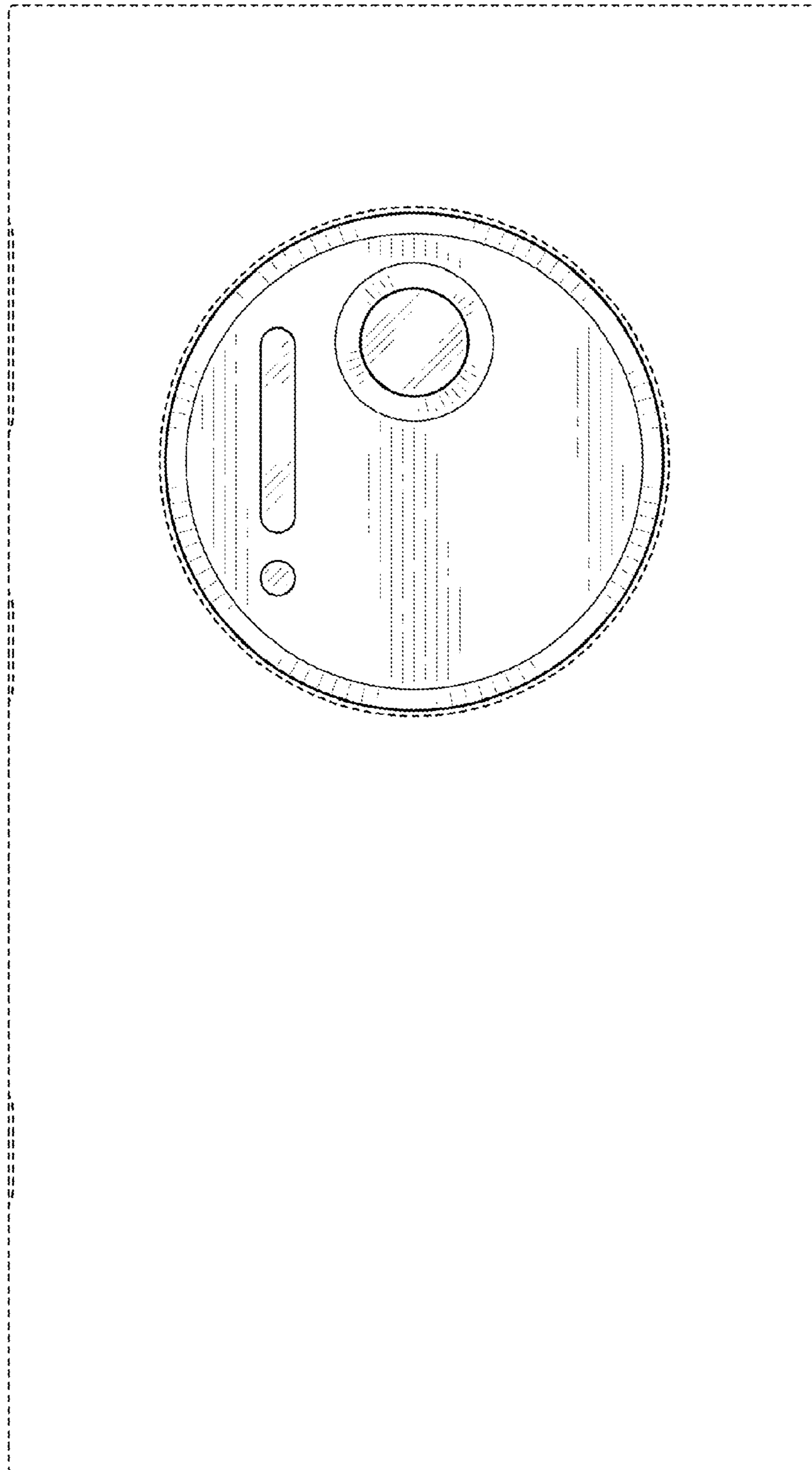


FIG. 2

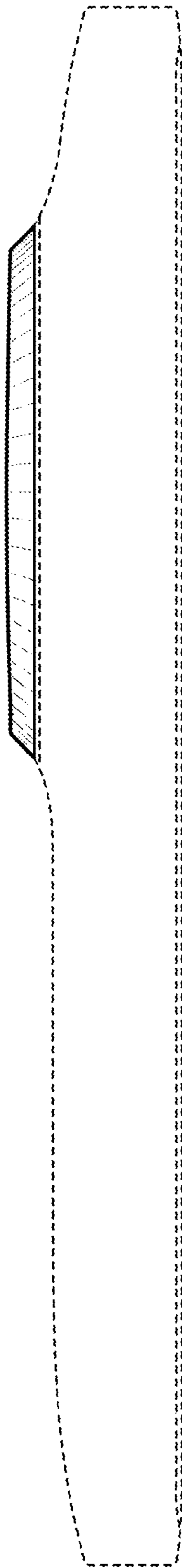


FIG. 3



FIG. 4

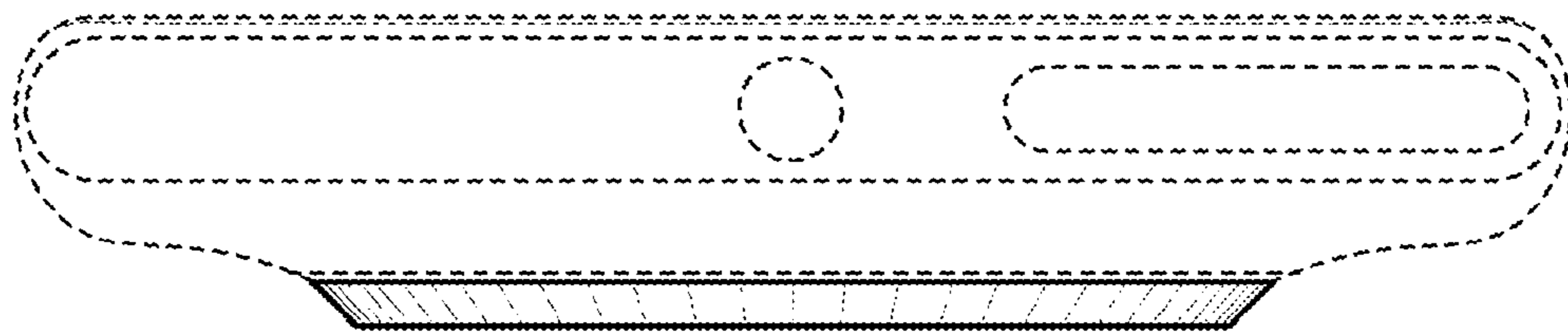


FIG. 5

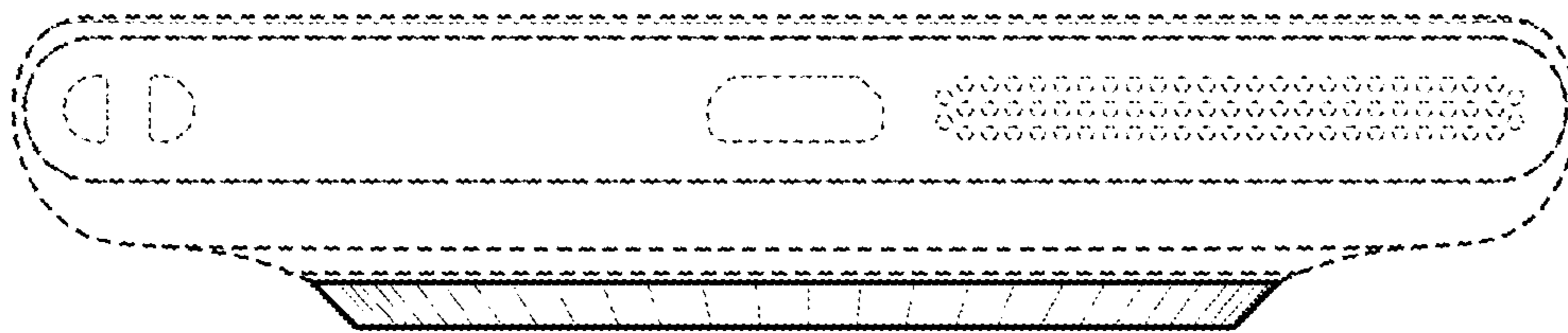


FIG. 6

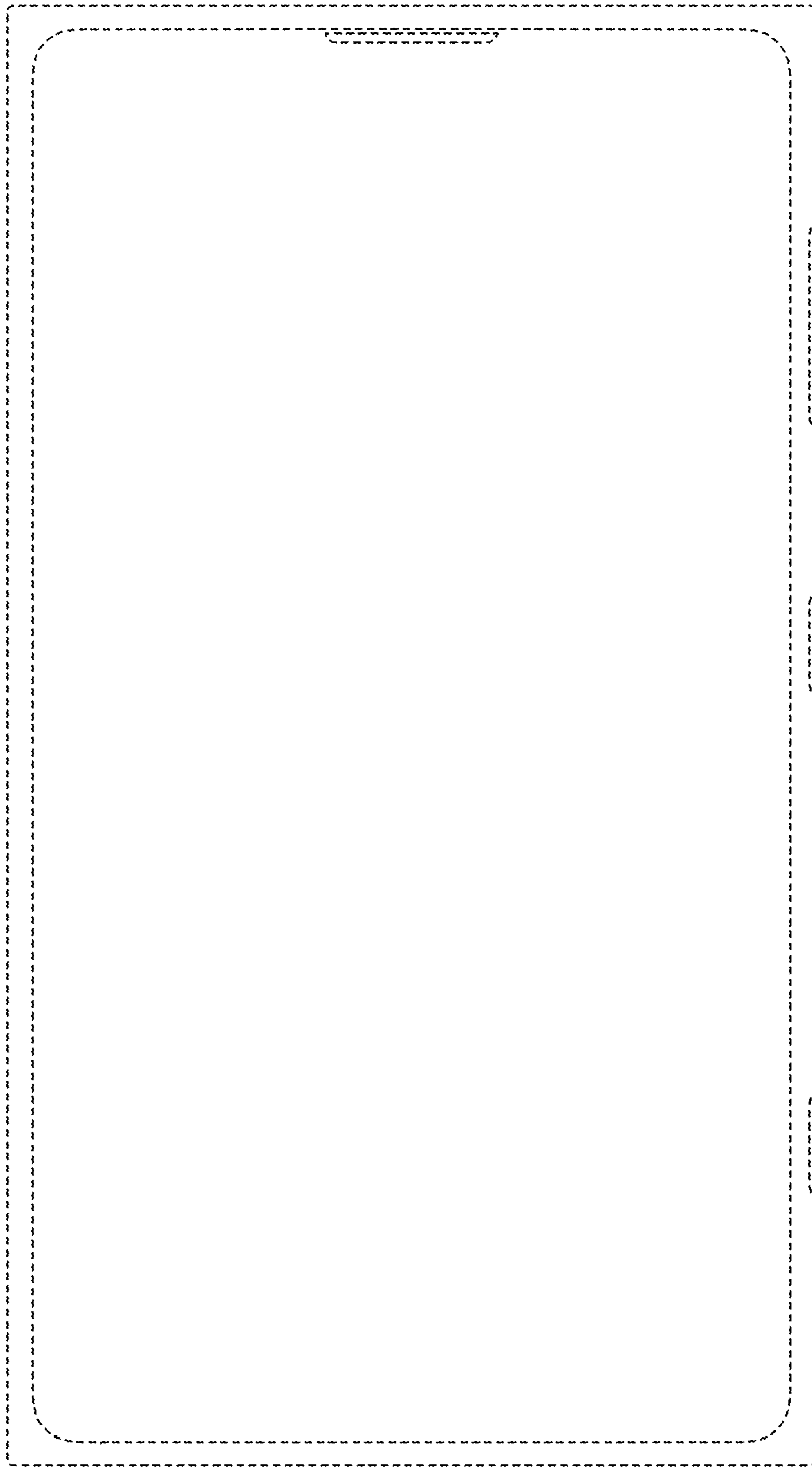


FIG. 7