



US00D735699S

(12) **United States Design Patent**
Yasuda

(10) **Patent No.:** **US D735,699 S**
(45) **Date of Patent:** **** Aug. 4, 2015**

(54) **EARPHONE**

(71) Applicant: **Panasonic Corporation**, Osaka (JP)

(72) Inventor: **Tomohiro Yasuda**, Osaka (JP)

(73) Assignee: **Panasonic Intellectual Property Management Co., Ltd.**, Osaka (JP)

(**) Term: **14 Years**

(21) Appl. No.: **29/503,477**

(22) Filed: **Sep. 26, 2014**

(30) **Foreign Application Priority Data**

May 30, 2014 (JP) 2014-011602

(51) **LOC (10) Cl.** **14-01**

(52) **U.S. Cl.**
USPC **D14/223**

(58) **Field of Classification Search**
USPC D14/223; 181/129, 130, 135; 379/430,
379/431; 381/380, 381; 455/90.3, 575.1
CPC H04R 1/10
See application file for complete search history.

(56) **References Cited**

U.S. PATENT DOCUMENTS

5,373,555	A *	12/1994	Norris et al.	379/430
D539,268	S *	3/2007	Suzuki	D14/206
D542,782	S	5/2007	Pena Angarita	
D554,627	S *	11/2007	Gondo	D14/223
D567,217	S *	4/2008	Kamo et al.	D14/205
D569,841	S *	5/2008	Chung et al.	D14/205
D572,703	S *	7/2008	Ledbetter et al.	D14/205
D576,154	S *	9/2008	Ledbetter et al.	D14/223
D589,493	S *	3/2009	Densho	D14/206

D594,441	S *	6/2009	Lee et al.	D14/205
7,551,748	B2 *	6/2009	Kamo et al.	381/380
D598,894	S *	8/2009	Masuda et al.	D14/205
D599,778	S *	9/2009	Ando	D14/205
D618,211	S *	6/2010	Oguro et al.	D14/205
D627,764	S *	11/2010	Tsai et al.	D14/223
D628,193	S *	11/2010	Zheng	D14/223
D628,564	S *	12/2010	Chong et al.	D14/223
D629,395	S *	12/2010	Lee et al.	D14/223
D637,585	S *	5/2011	Nagayama et al.	D14/223
D643,416	S *	8/2011	Chong et al.	D14/223
D660,290	S *	5/2012	Weedon	D14/223
8,594,359	B2 *	11/2013	Takei	381/380
2007/0189570	A1 *	8/2007	Matsuo et al.	381/382

* cited by examiner

Primary Examiner — Paula Greene

(74) *Attorney, Agent, or Firm* — Panasonic Patent Center

(57) **CLAIM**

The ornamental design for an earphone, as shown and described.

DESCRIPTION

FIG. 1 is a front perspective view of an earphone of the present invention;
FIG. 2 is a front view thereof;
FIG. 3 is a rear view thereof;
FIG. 4 is a first side view thereof;
FIG. 5 is a second side view thereof;
FIG. 6 is a top view thereof;
FIG. 7 is a bottom view thereof; and,
FIG. 8 is an end view taken along the line 8-8 in FIG. 2 with the internal parts being omitted.
The broken line showing of earphone is included for the purpose of illustrating environment and forms no part of the claimed design.

1 Claim, 8 Drawing Sheets

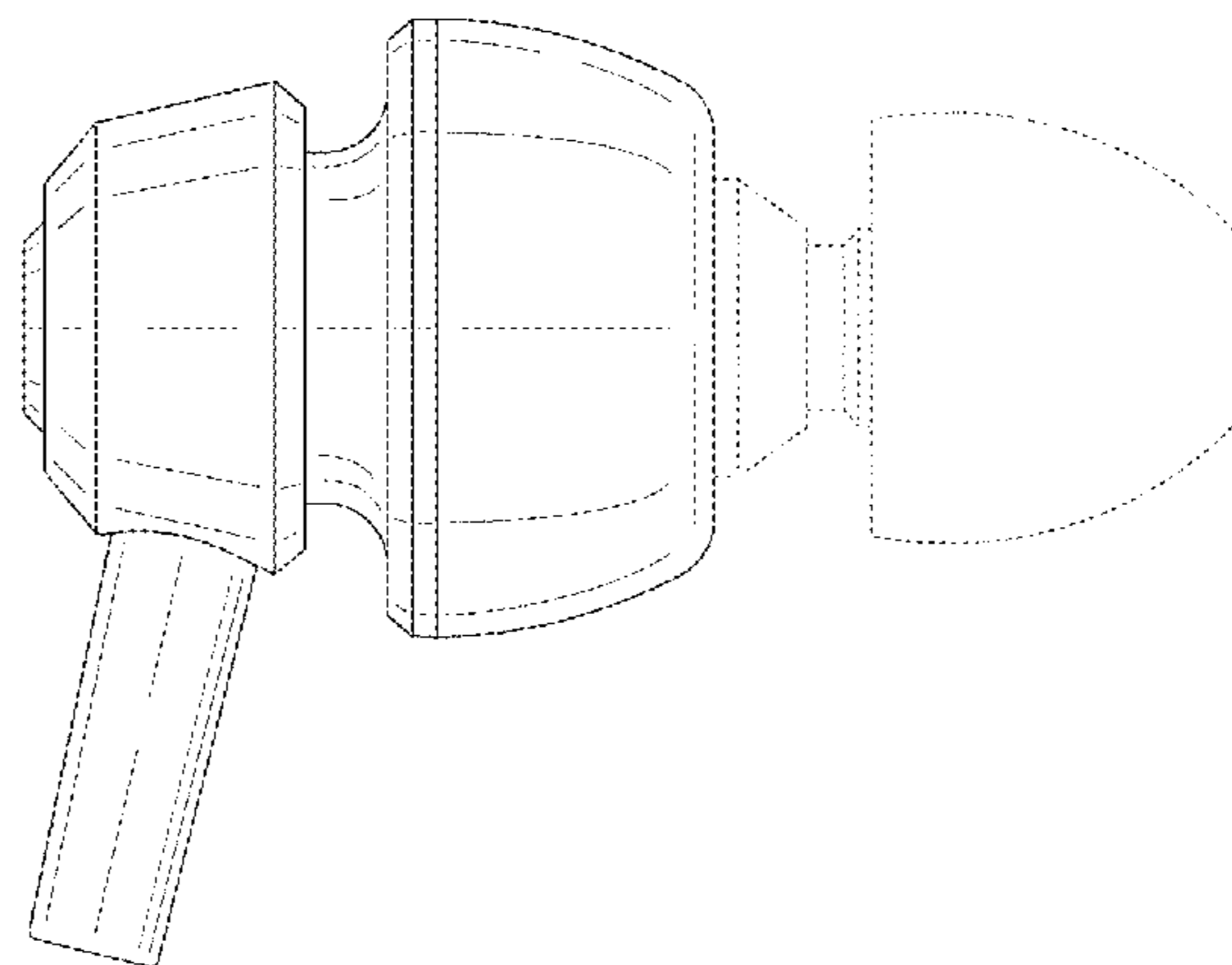
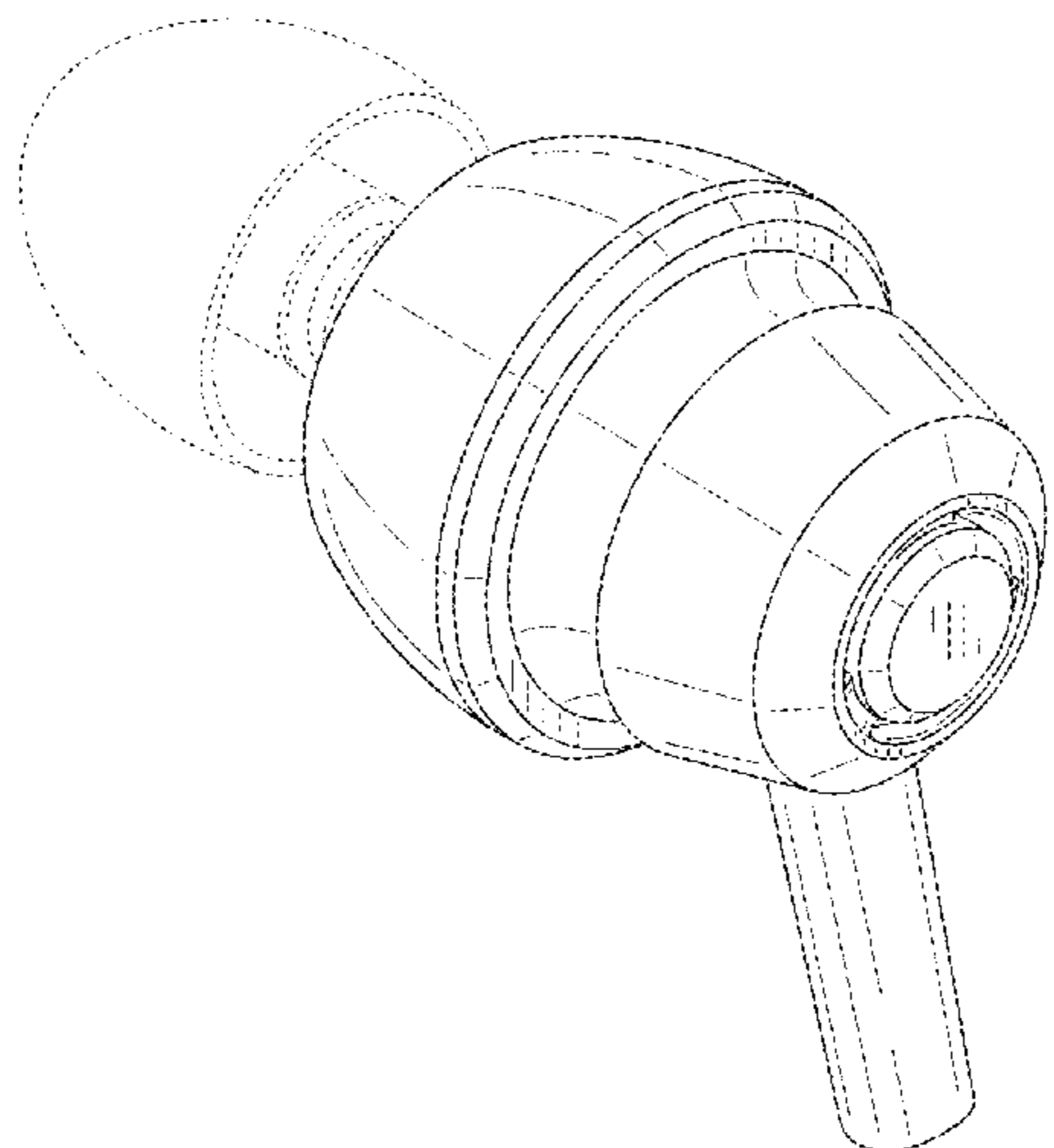


FIG. 1

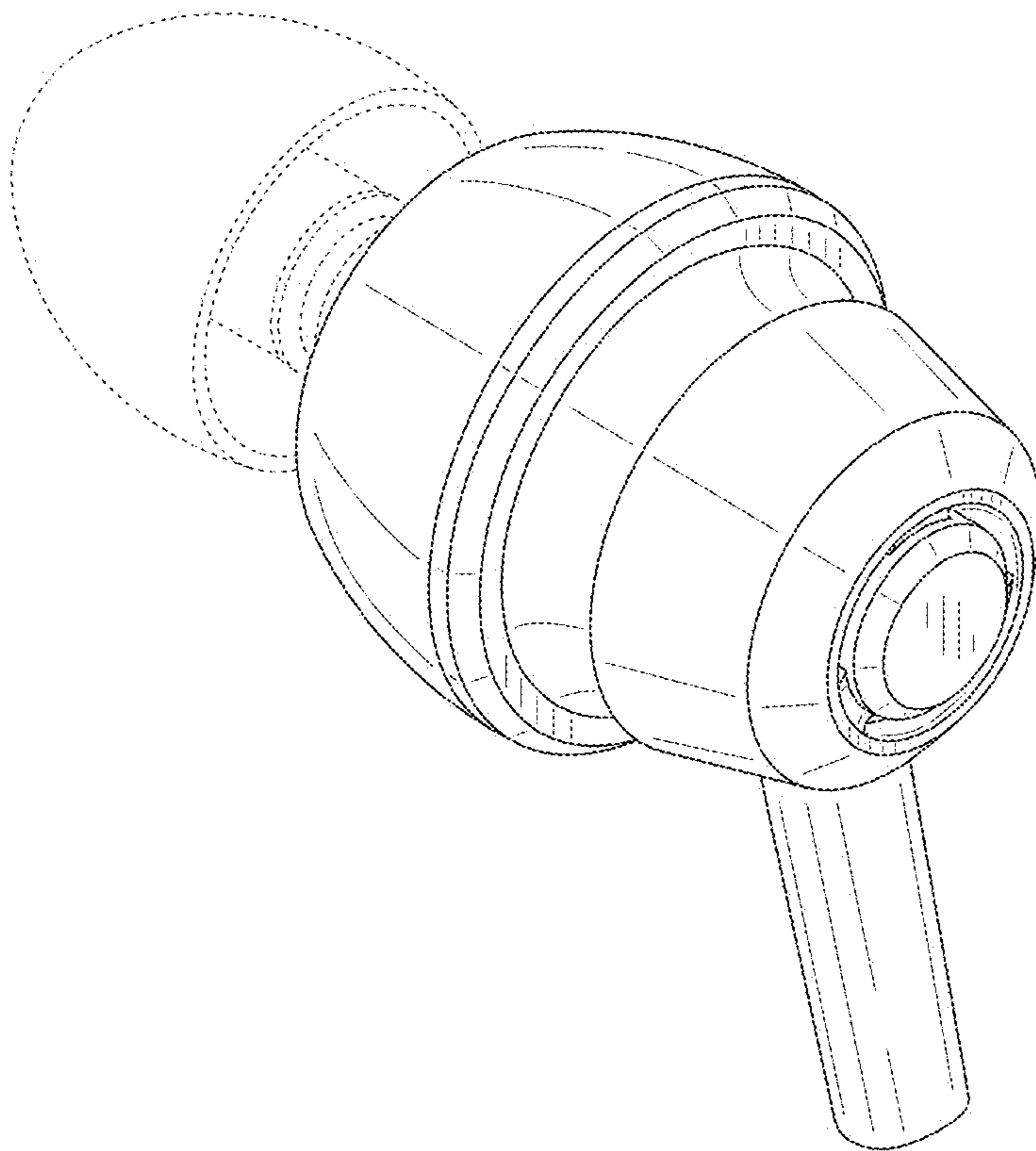


FIG. 2

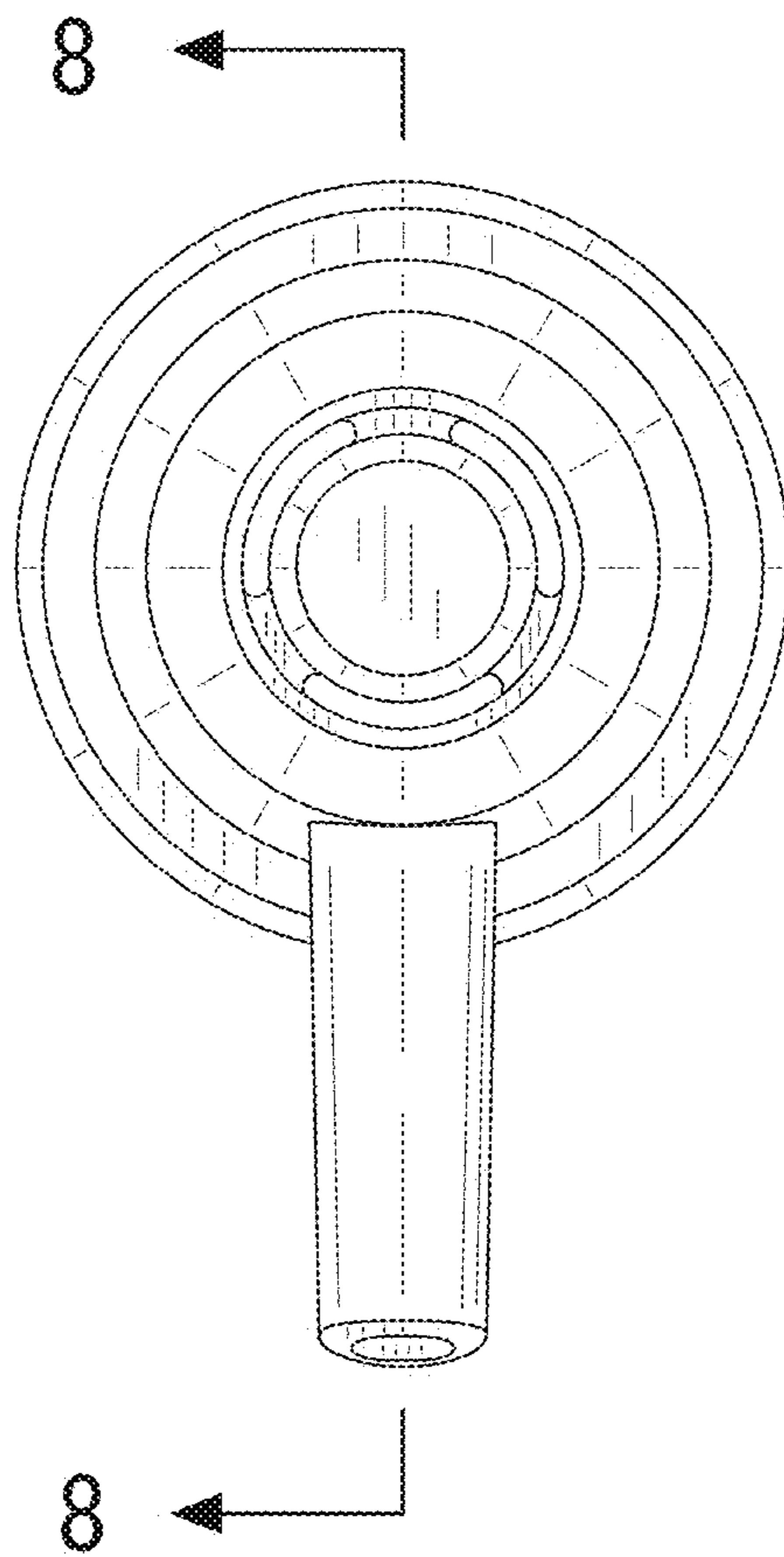


FIG. 3

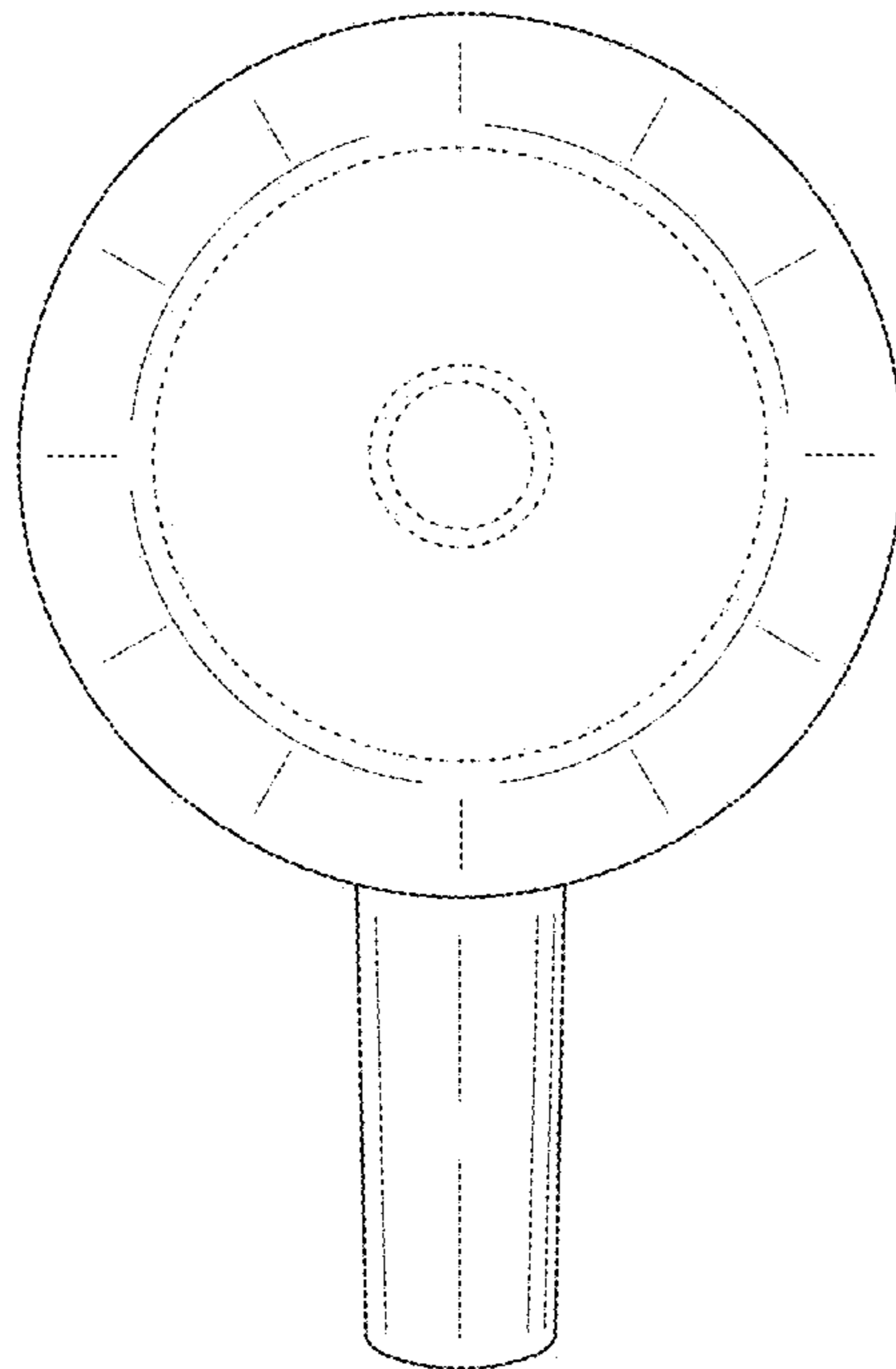


FIG. 4

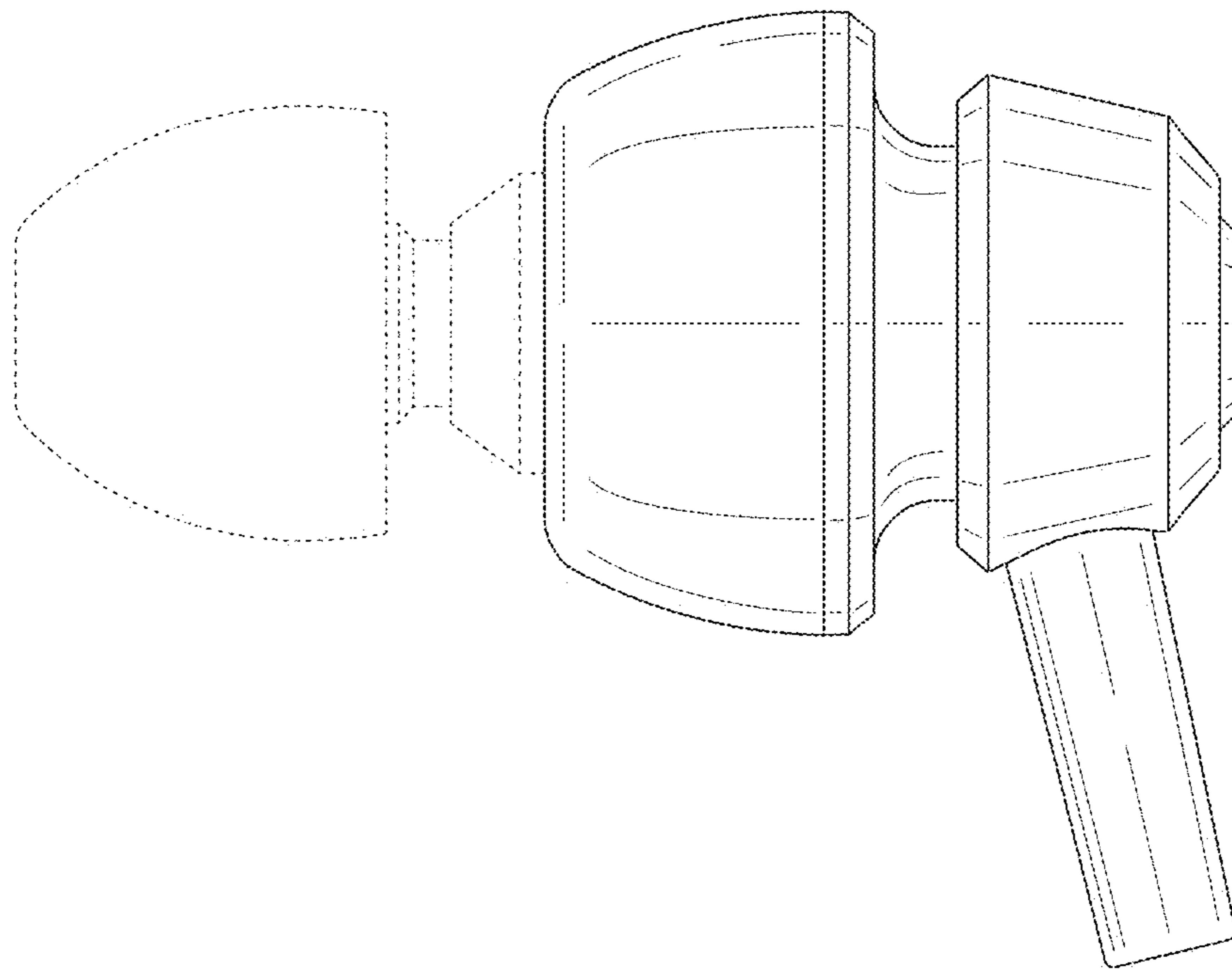


FIG. 5

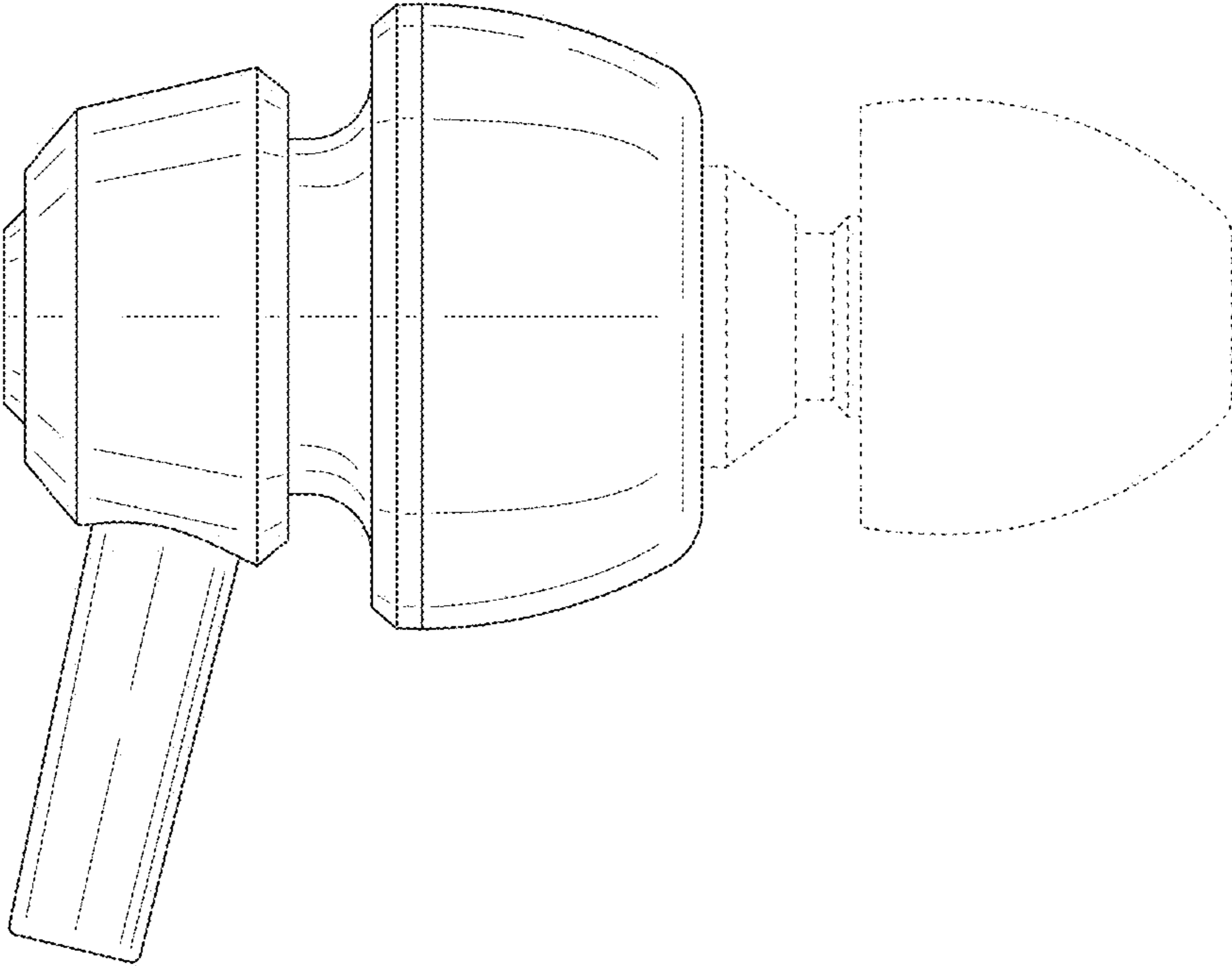


FIG. 6

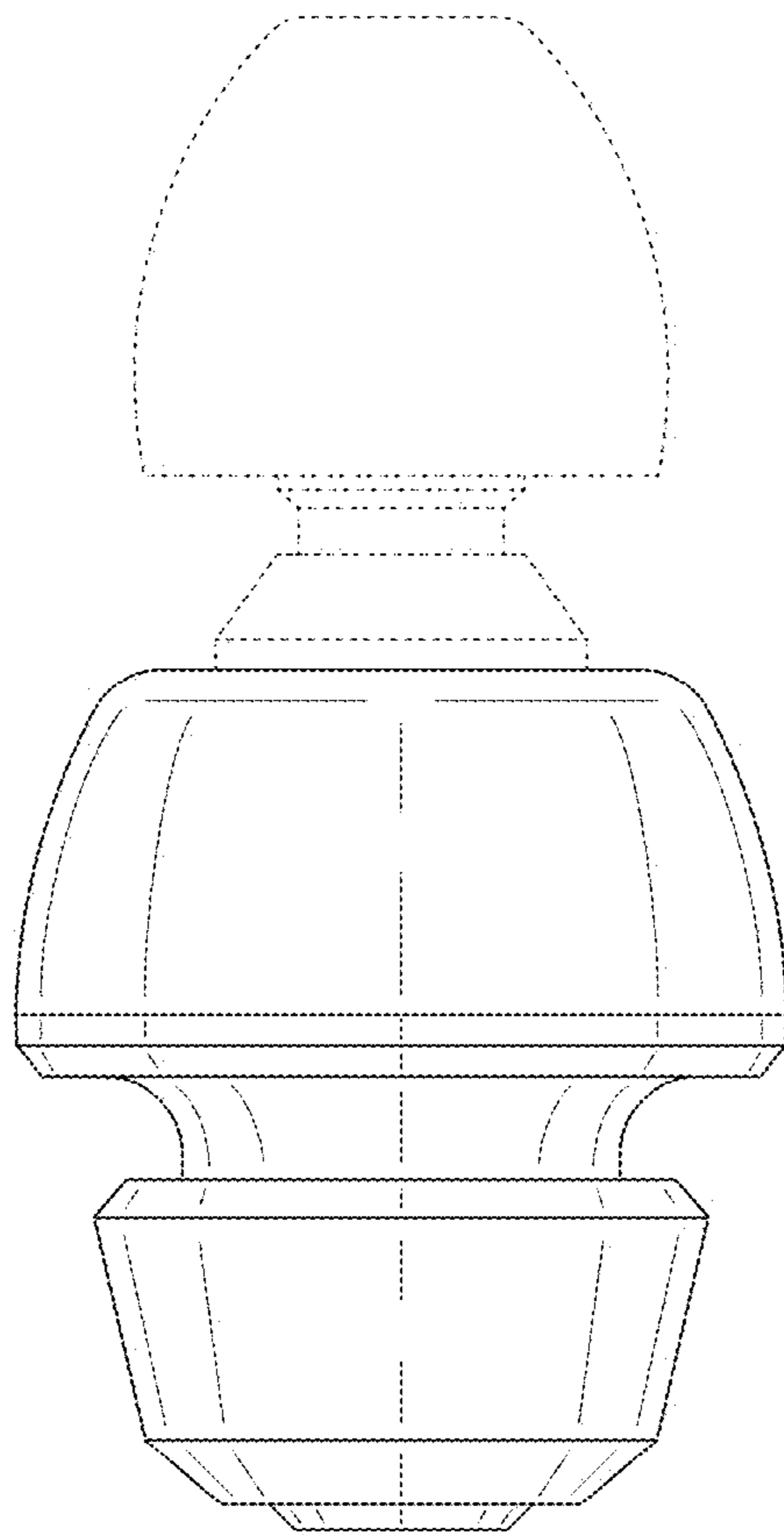


FIG. 7

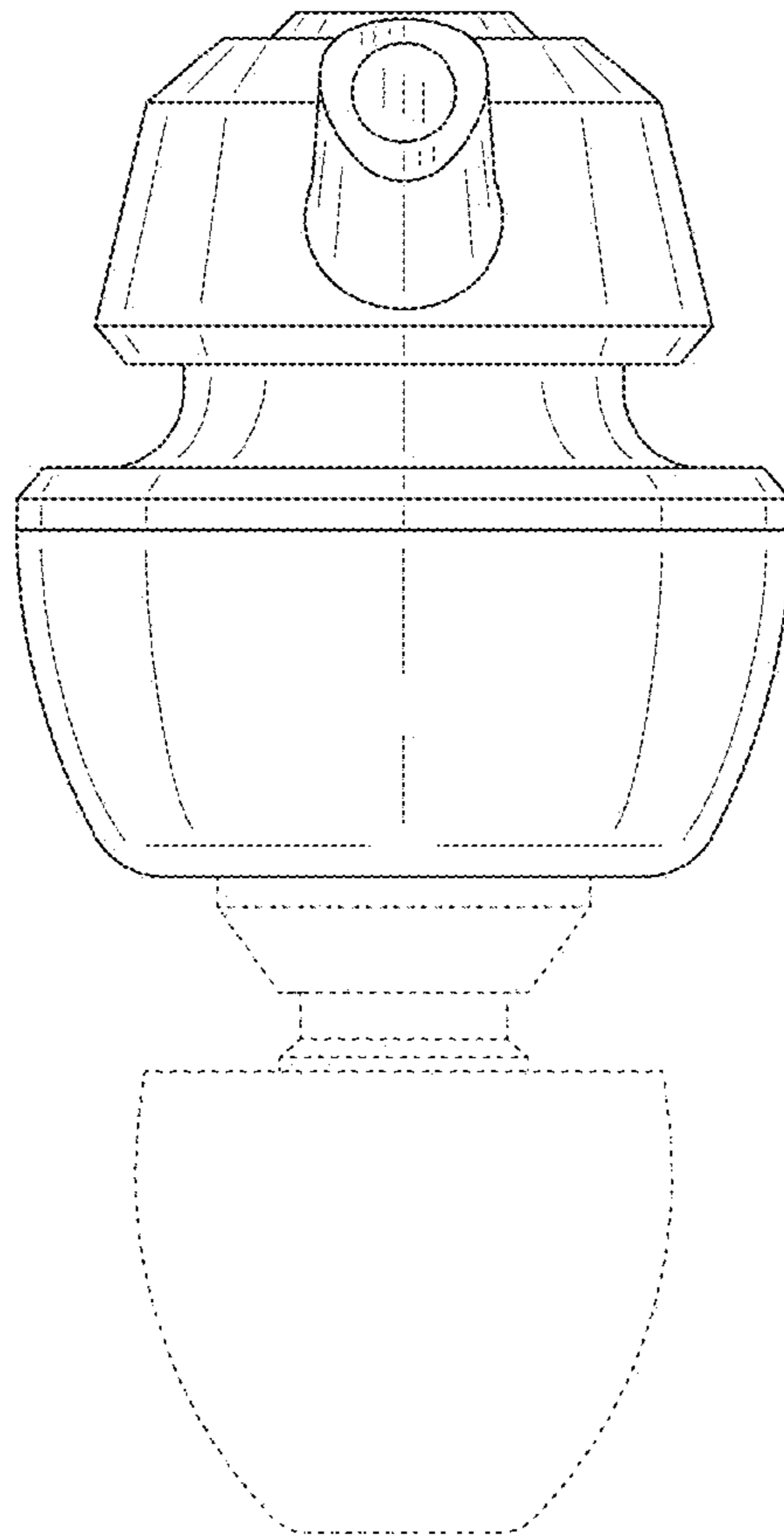


FIG. 8

