



US00D735698S

(12) **United States Design Patent**
Kärroman

(10) **Patent No.:** **US D735,698 S**

(45) **Date of Patent:** **** Aug. 4, 2015**

(54) **HEADSET**

(71) Applicant: **Sony Mobile Communications AB,**
Lund (SE)

(72) Inventor: **Elin Kärroman,** Lomma (SE)

(73) Assignee: **Sony Mobile Communications AB,**
Lund (SE)

(**) Term: **14 Years**

(21) Appl. No.: **29/496,800**

(22) Filed: **Jul. 17, 2014**

(30) **Foreign Application Priority Data**

Apr. 9, 2014 (EM) 002443697

(51) **LOC (10) Cl.** **14-01**

(52) **U.S. Cl.**
USPC **D14/223**

(58) **Field of Classification Search**
USPC D14/223, 205, 206; 181/129, 130, 135;
379/430, 431; 381/380, 381; 455/90.2,
455/575.1

CPC H04R 1/10
See application file for complete search history.

(56) **References Cited**

U.S. PATENT DOCUMENTS

3,539,031	A	*	11/1970	Scanlon	181/129
D538,271	S	*	3/2007	Kim et al.	D14/223
D562,310	S	*	2/2008	Moon et al.	D14/223
D582,897	S	*	12/2008	Christopher et al.	D14/223
D596,164	S		7/2009	Henning		
D596,165	S		7/2009	Henning		
D596,166	S		7/2009	Henning		
D598,900	S	*	8/2009	Wikel et al.	D14/223
D603,378	S	*	11/2009	Paradise	D14/223
D619,566	S	*	7/2010	Yu	D14/223
D628,194	S	*	11/2010	Koch	D14/223
D636,381	S	*	4/2011	Liner	D14/223
D640,242	S	*	6/2011	Fahrendorff et al.	D14/223

D643,420	S	*	8/2011	Huang	D14/223
D647,890	S	*	11/2011	Son	D14/223
D656,128	S	*	3/2012	Park	D14/223
D656,490	S	*	3/2012	Birger	D14/223
D664,125	S	*	7/2012	Koch et al.	D14/223
D664,950	S	*	8/2012	Rye et al.	D14/223
D671,096	S	*	11/2012	Song et al.	D14/223
8,374,375	B2	*	2/2013	Hu	381/380
D681,602	S	*	5/2013	Koch et al.	D14/205
D690,288	S	*	9/2013	Son	D14/223
D691,120	S	*	10/2013	Koch	D14/223
D693,796	S	*	11/2013	Birger	D14/223
D707,659	S	*	6/2014	Henning	D14/223
D710,830	S	*	8/2014	Birger	D14/223

FOREIGN PATENT DOCUMENTS

KR	30-0559768	S	4/2010
KR	30-0634052	S	2/2012
KR	30-0703844	S	7/2013

OTHER PUBLICATIONS

English translation of Search Report for corresponding ROC (Taiwan) Design Patent Application No. 103304324 dated Apr. 17, 2015.

* cited by examiner

Primary Examiner — Paula Greene

(74) *Attorney, Agent, or Firm* — Renner, Otto, Boisselle & Sklar, LLP

(57) **CLAIM**

The ornamental design for a headset, as shown and described.

DESCRIPTION

FIG. 1 is a perspective view of a headset showing my new design.

FIG. 2 is a front view thereof.

FIG. 3 is a rear view thereof.

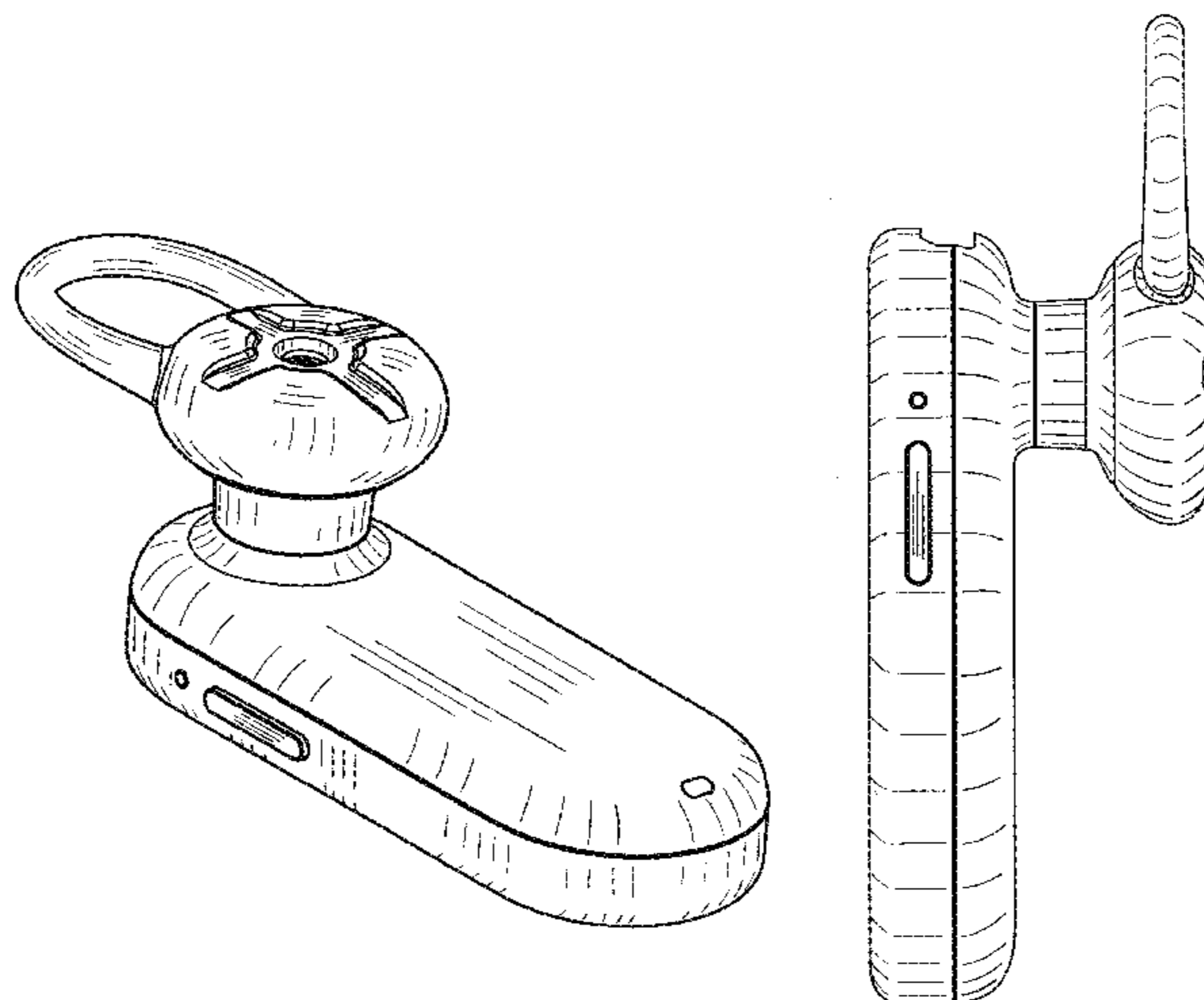
FIG. 4 is a bottom view thereof.

FIG. 5 is a top view thereof.

FIG. 6 is a right side view thereof; and,

FIG. 7 is a left side view thereof.

1 Claim, 7 Drawing Sheets



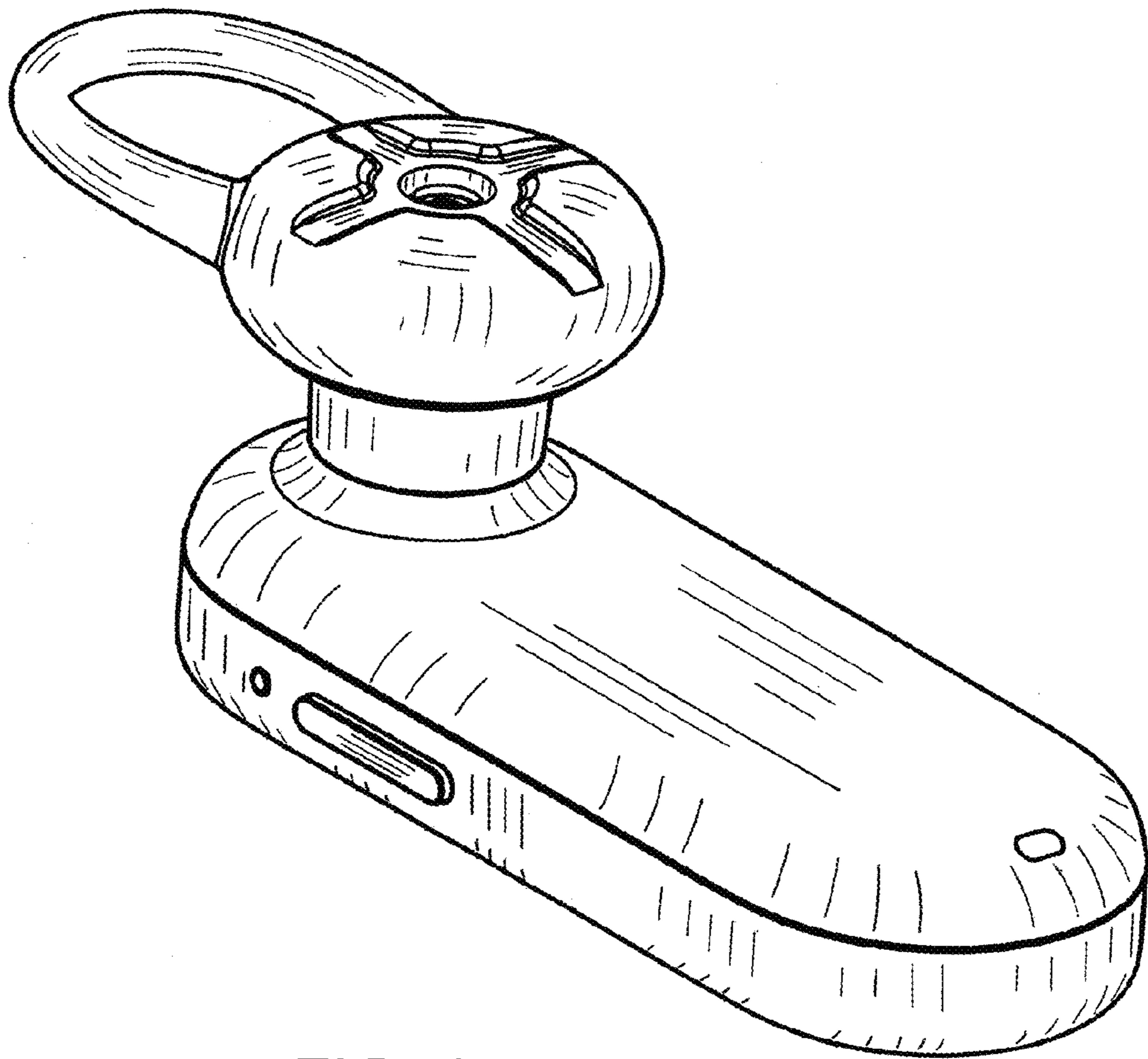


FIG. 1

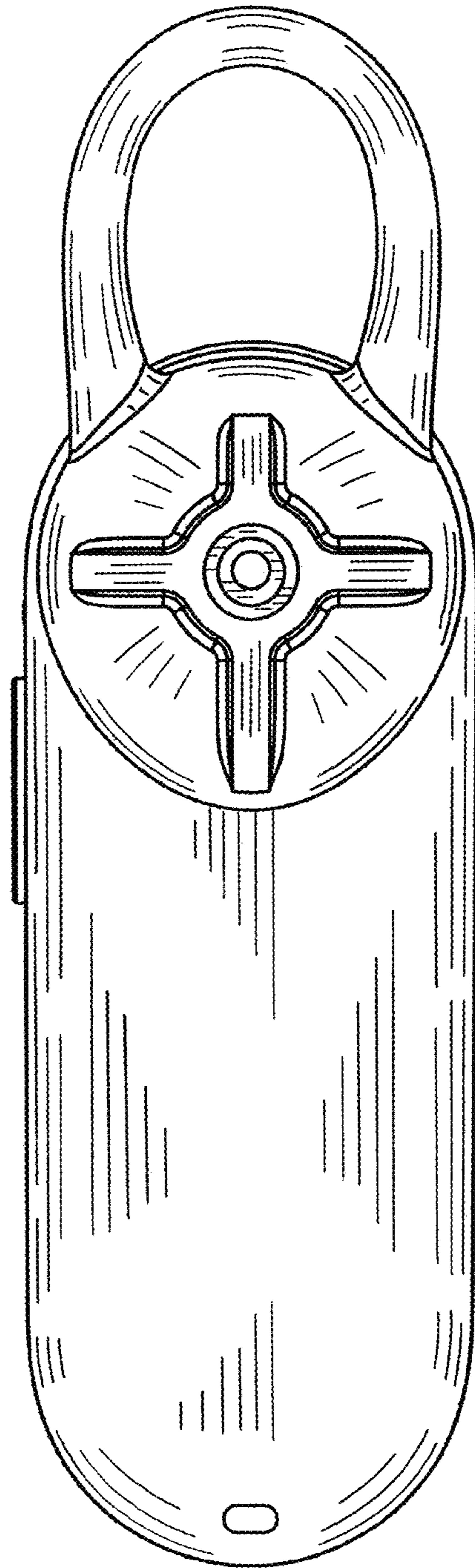


FIG. 2

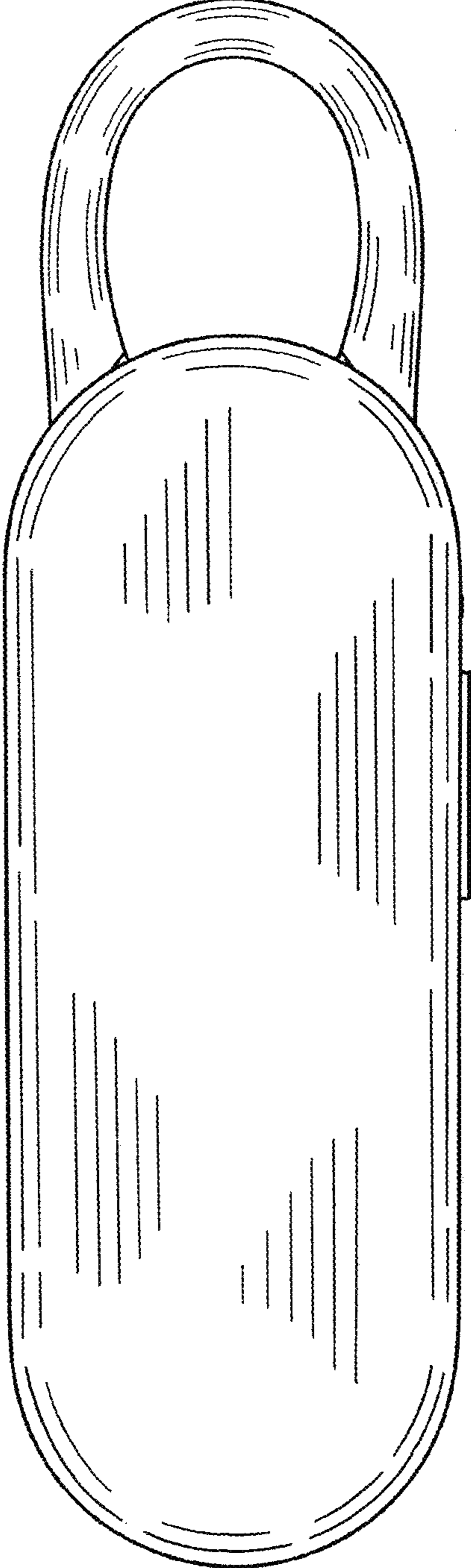


FIG. 3

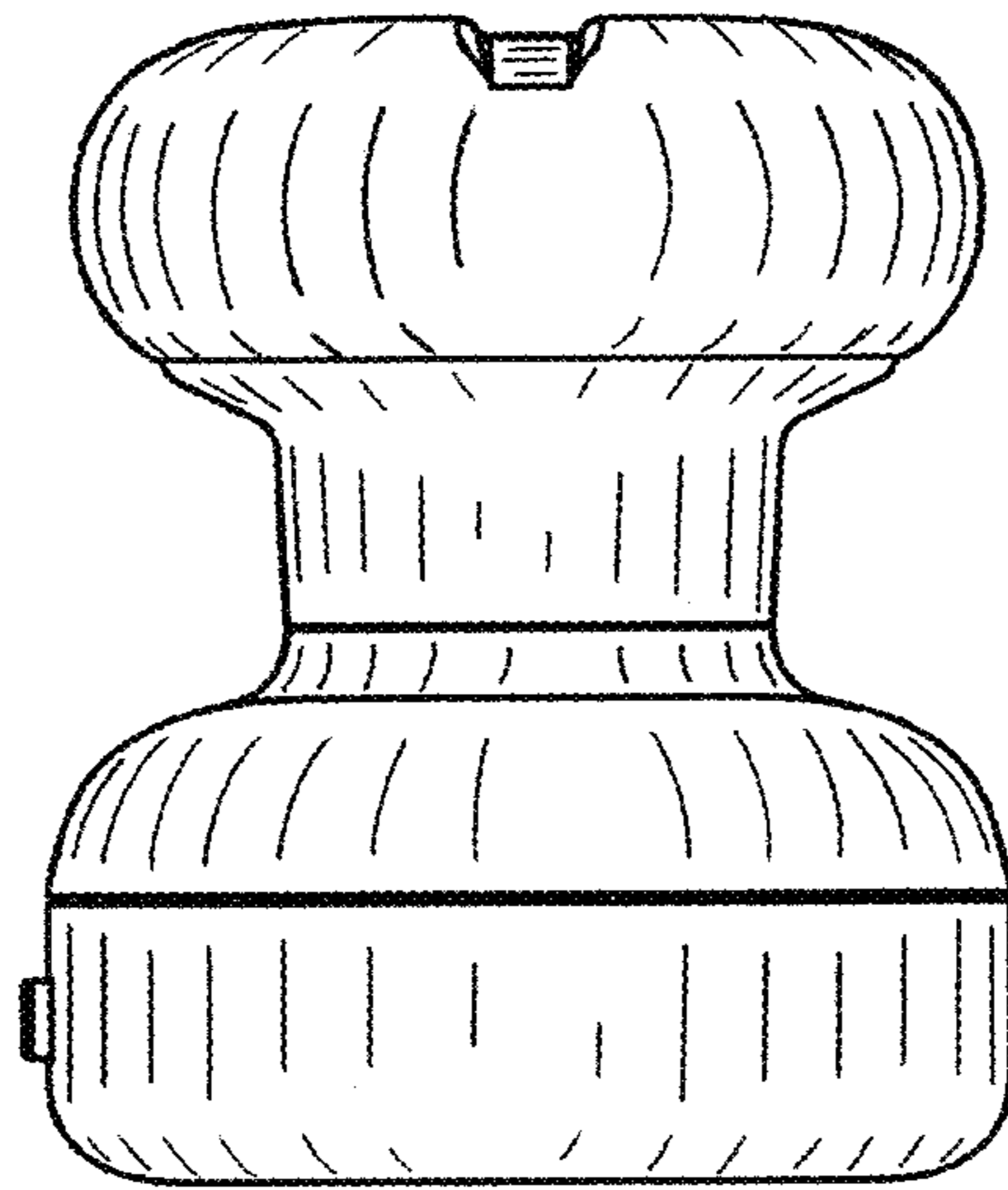


FIG. 4

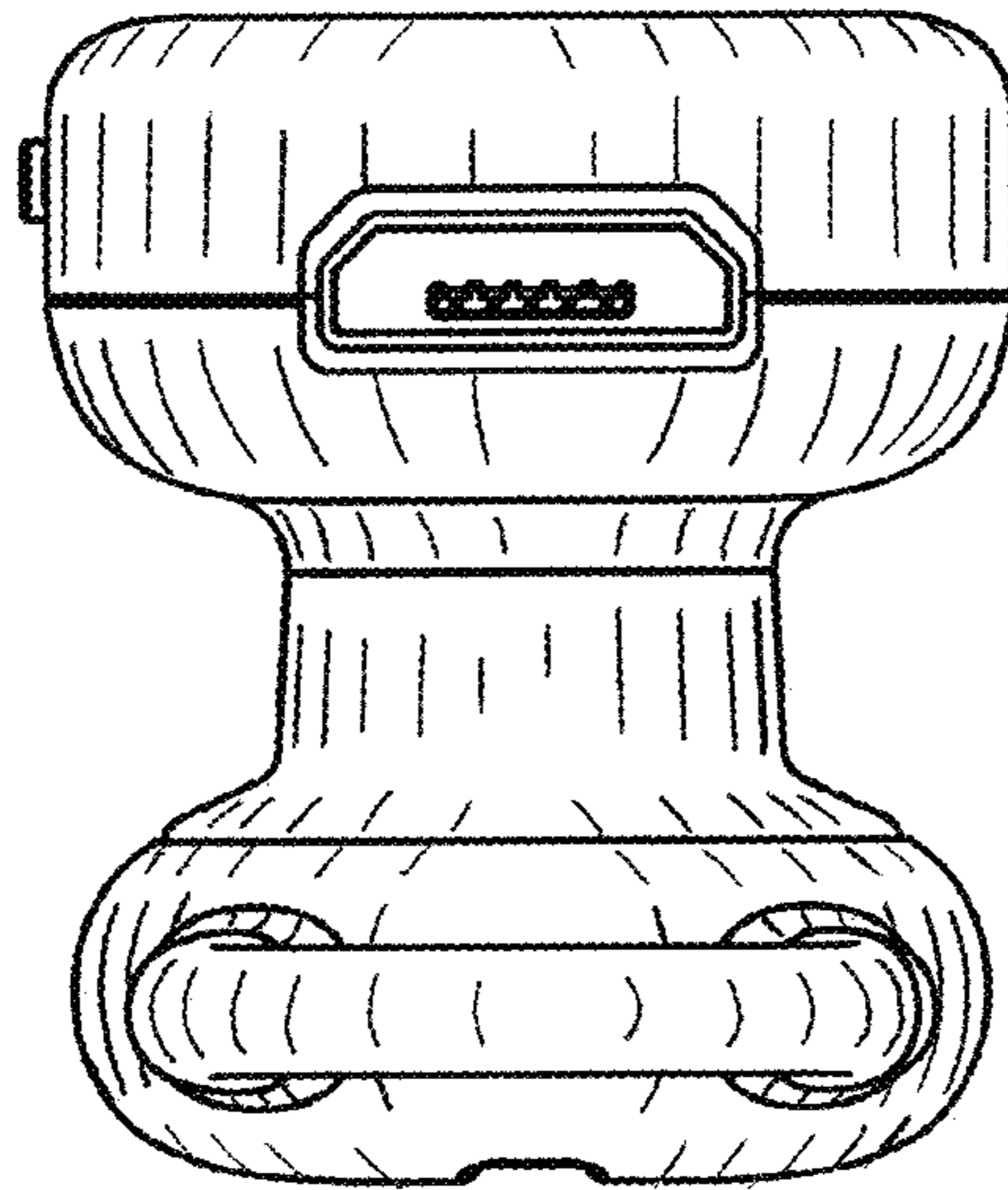


FIG. 5

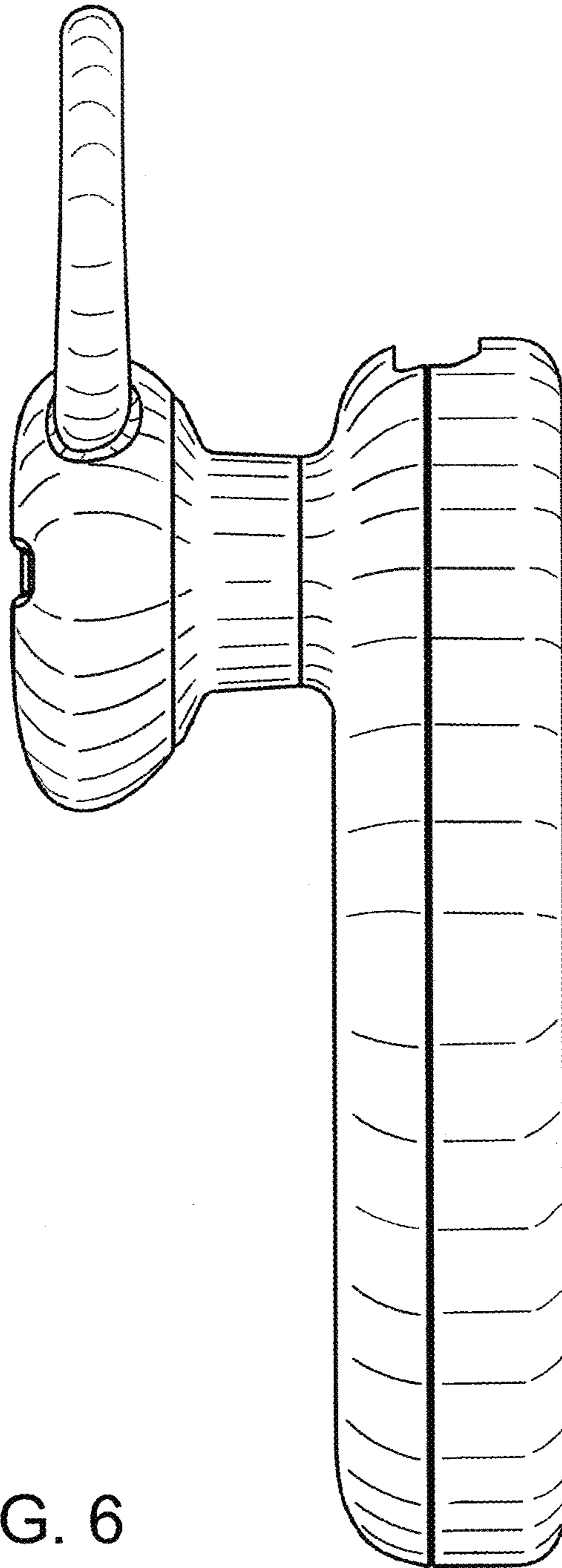


FIG. 6

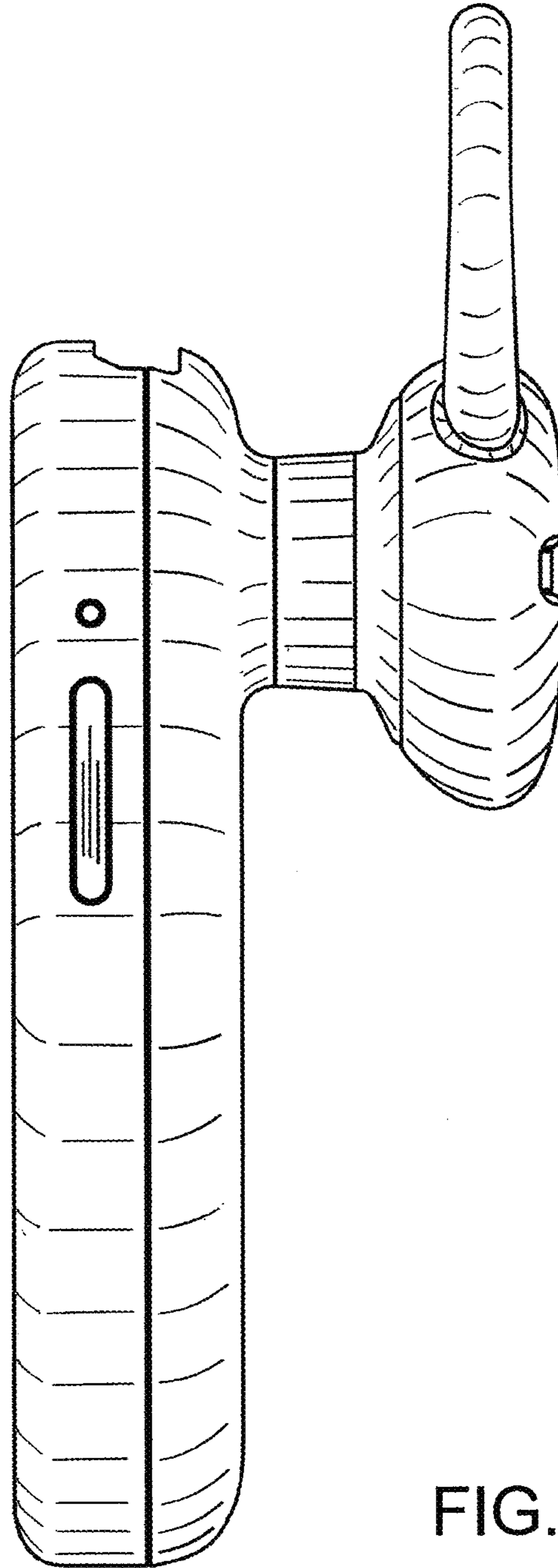


FIG. 7