



US00D735697S

(12) **United States Design Patent**  
**Petersen**

(10) **Patent No.:** **US D735,697 S**

(45) **Date of Patent:** **\*\* Aug. 4, 2015**

(54) **PART OF EARPHONE**

(71) Applicant: **Zound Industries International AB,**  
Stockholm (SE)

(72) Inventor: **Erik Petersen,** Johanneshov (SE)

(73) Assignee: **Zound Industries International AB,**  
Stockholm (SE)

(\*\*) Term: **14 Years**

(21) Appl. No.: **29/483,759**

(22) Filed: **Mar. 3, 2014**

(30) **Foreign Application Priority Data**

Sep. 4, 2013 (EM) ..... 002302505-0001

Sep. 4, 2013 (EM) ..... 002302505-0002

(51) **LOC (10) Cl.** ..... **14-01**

(52) **U.S. Cl.**  
USPC ..... **D14/223**

(58) **Field of Classification Search**  
USPC ..... D14/205, 188, 192; 181/129, 130, 135;  
379/430, 431; 381/380, 381, 374, 379,  
381/322, 328; 455/90.3, 575.1; D29/112;  
2/209

CPC ..... H04R 1/10

See application file for complete search history.

(56) **References Cited**

**U.S. PATENT DOCUMENTS**

2,125,348 A \* 8/1938 Kurman ..... 381/380

2,363,175 A \* 11/1944 Grossman ..... 381/322

2,430,229 A \* 11/1947 Kelsey ..... 381/338

2,513,985 A *	7/1950	Woodruff et al. ....	381/372
4,133,984 A *	1/1979	Akiyama .....	381/328
D539,268 S *	3/2007	Suzuki .....	D14/206
D566,099 S *	4/2008	Komiyama .....	D14/206
D574,361 S *	8/2008	Sasaki .....	D14/205
7,697,710 B2 *	4/2010	Yang .....	381/382
D618,218 S *	6/2010	Burgett et al. ....	D14/223
7,965,855 B1 *	6/2011	Ham .....	381/380
D645,456 S *	9/2011	Carr et al. ....	D14/223
8,265,323 B2 *	9/2012	Stiehl et al. ....	381/371
8,422,717 B2 *	4/2013	Lin et al. ....	381/372
8,565,466 B2 *	10/2013	Kuhr .....	381/370
8,565,467 B1 *	10/2013	Tseng .....	381/373
8,666,085 B2 *	3/2014	Donaldson et al. ....	381/71.6
8,712,087 B2 *	4/2014	Ozawa .....	381/380
2012/0114160 A1 *	5/2012	Lin .....	381/380

\* cited by examiner

*Primary Examiner* — Paula Greene

(74) *Attorney, Agent, or Firm* — Capitol City TechLaw

(57) **CLAIM**

The ornamental design for a part of earphone, as shown and described.

**DESCRIPTION**

FIG. 1 is a rear, top, and right side perspective view of a part of earphone showing my new design;

FIG. 2 is a rear view thereof;

FIG. 3 is a front view thereof;

FIG. 4 is a right side view thereof;

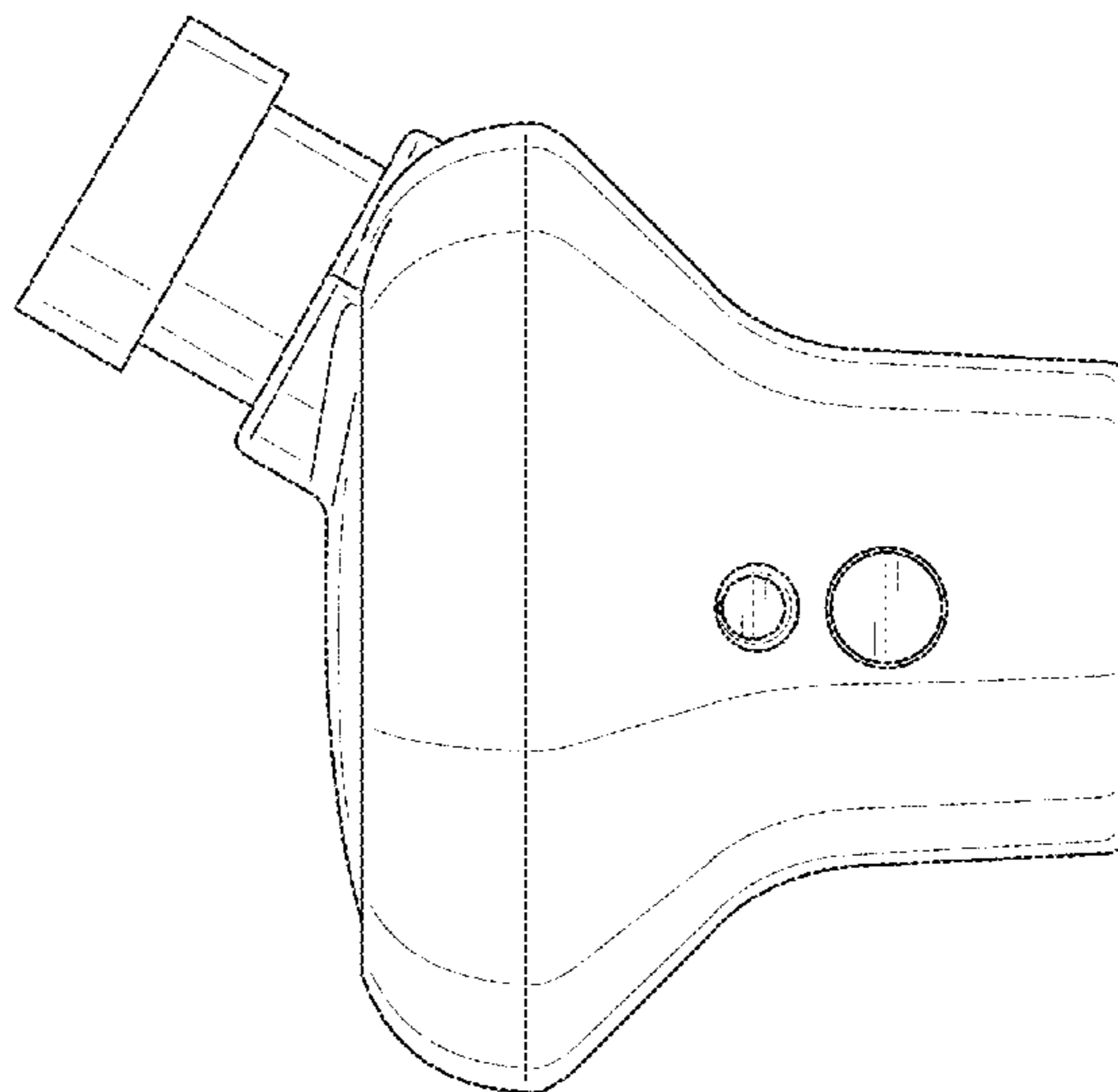
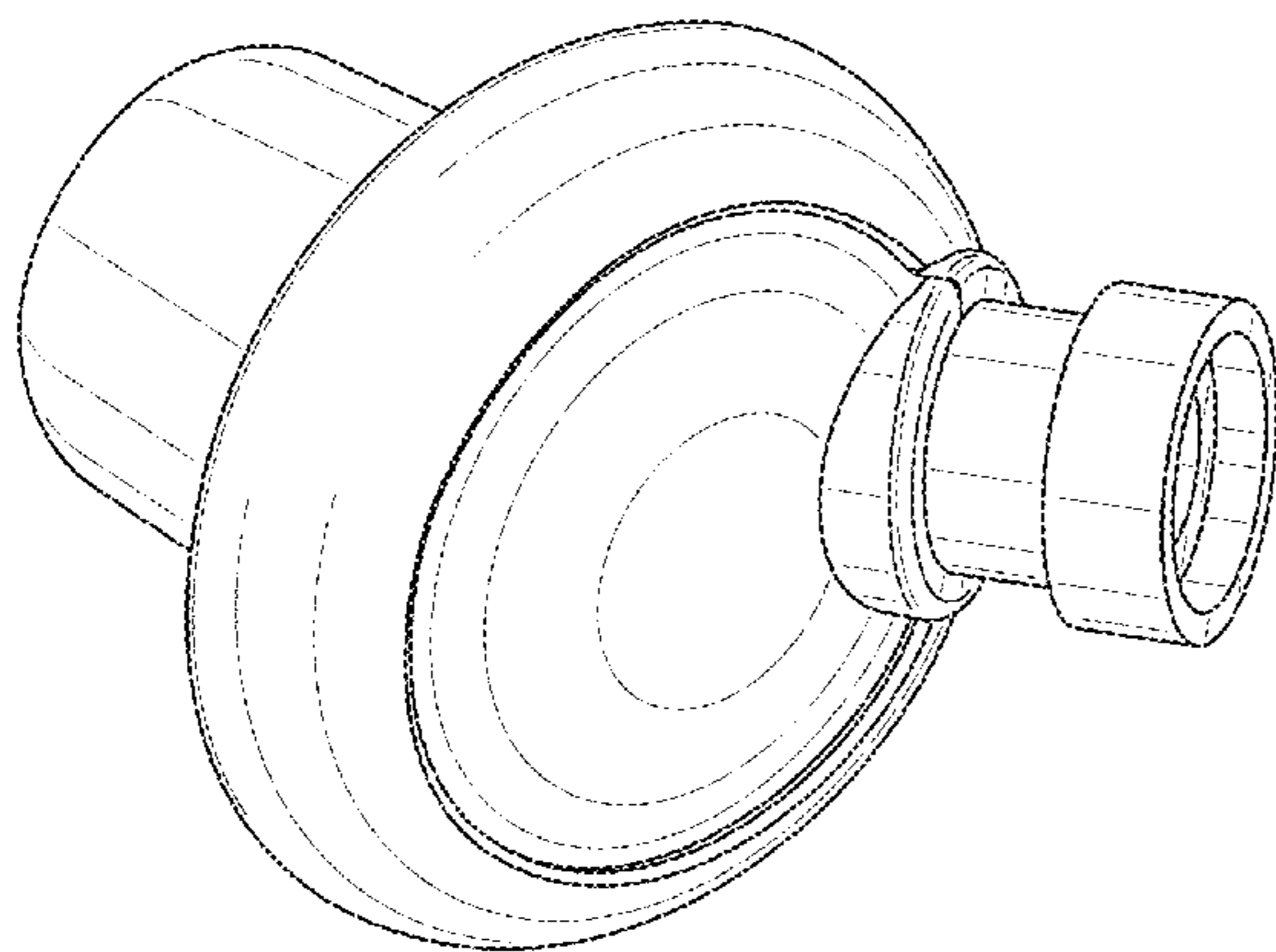
FIG. 5 is a left side view thereof;

FIG. 6 is a top view thereof; and,

FIG. 7 is a bottom view thereof.

The broken lines shown in the figures are included for the purpose of illustrating portions of a part or earphone that form no part of the claimed design.

**1 Claim, 7 Drawing Sheets**



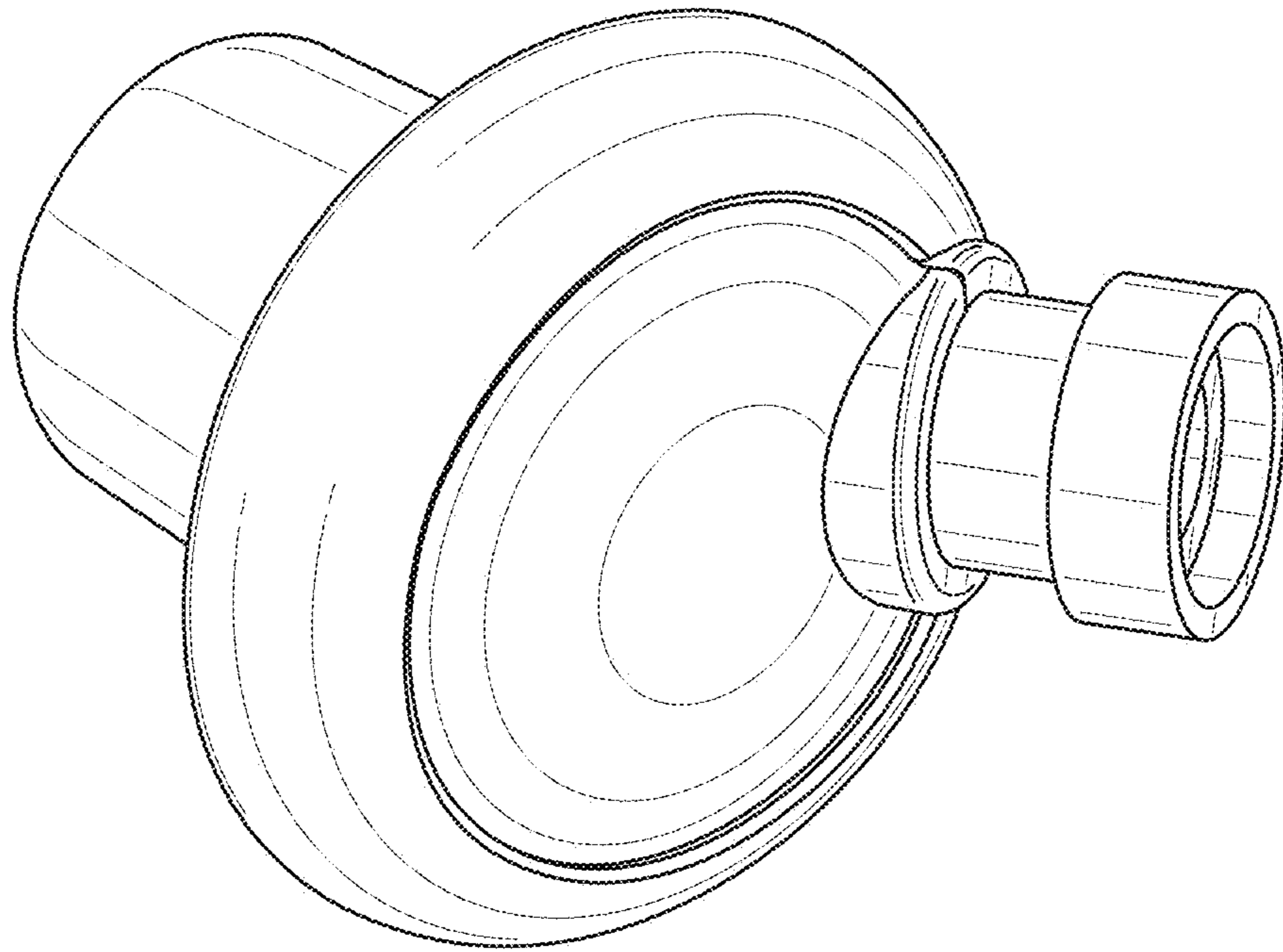


FIG. 1

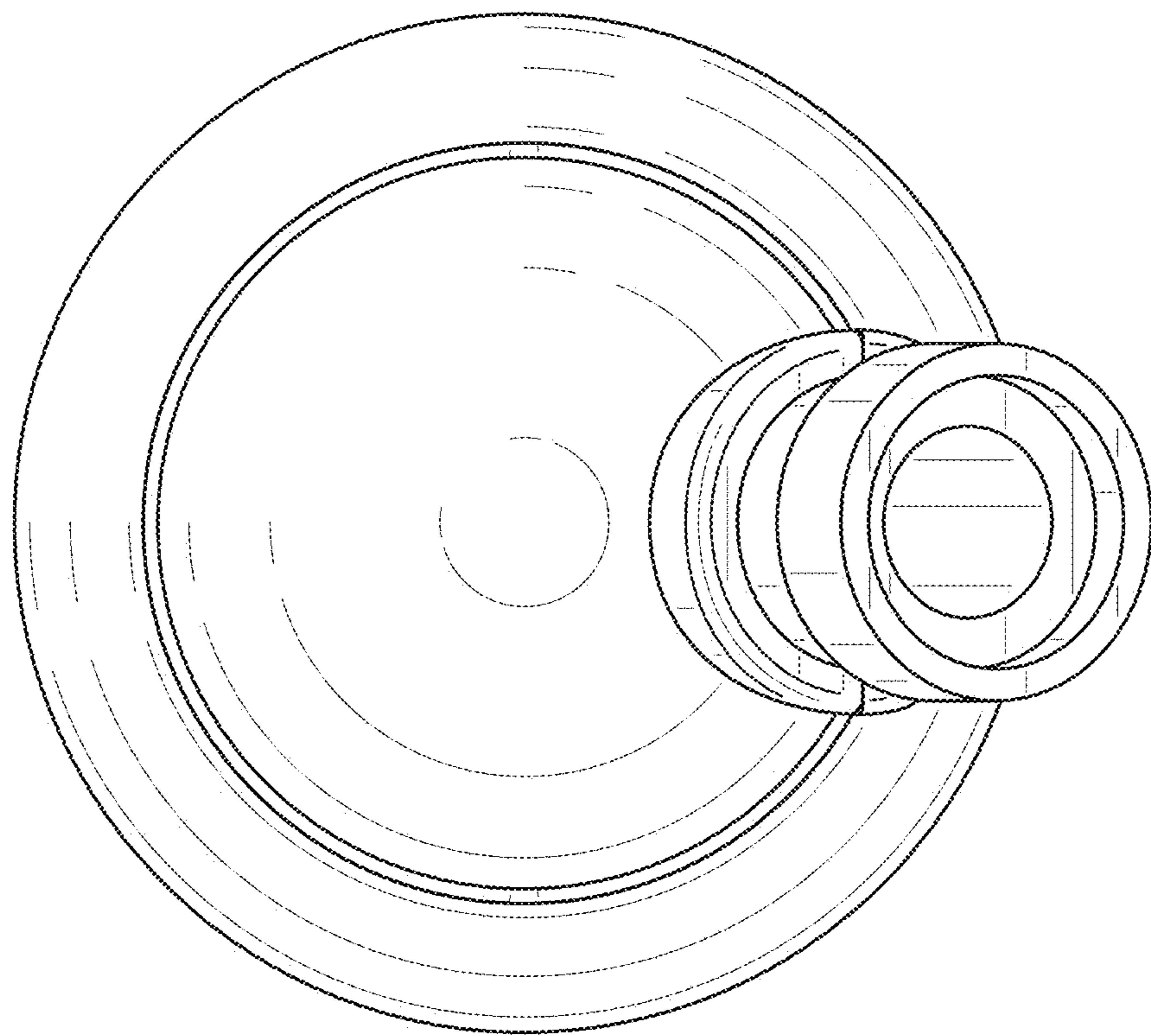


FIG. 2

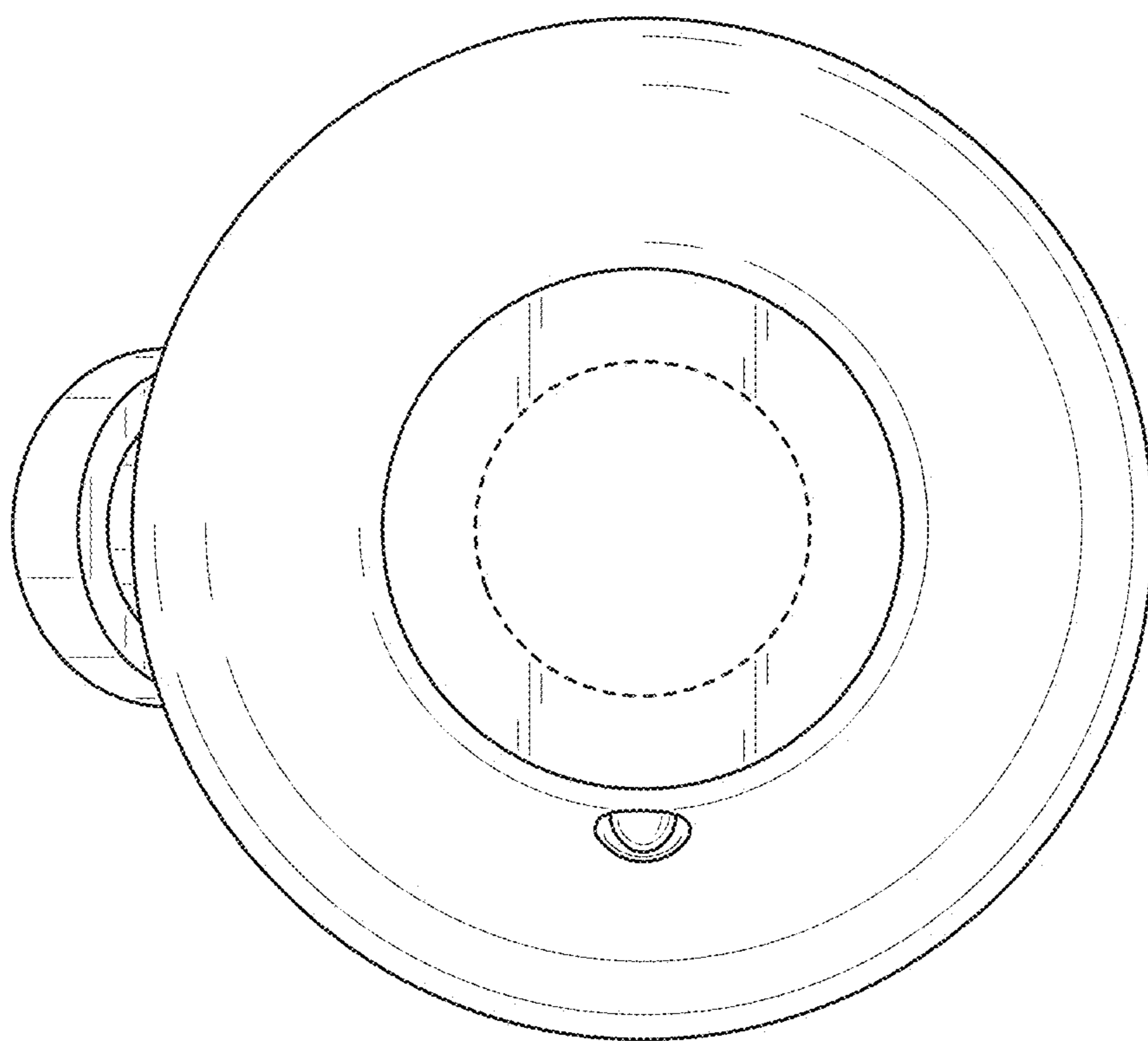


FIG. 3

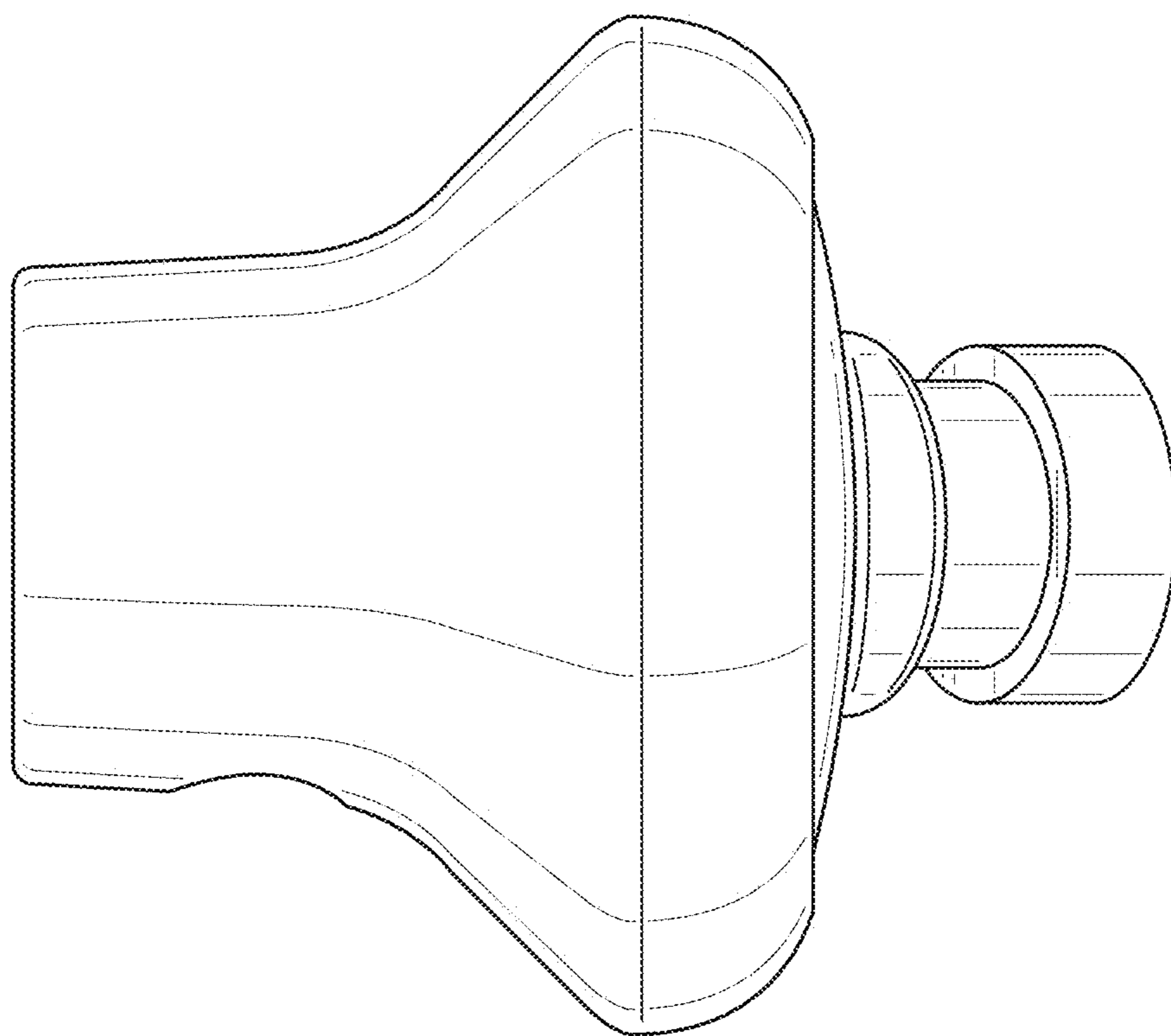


FIG. 4

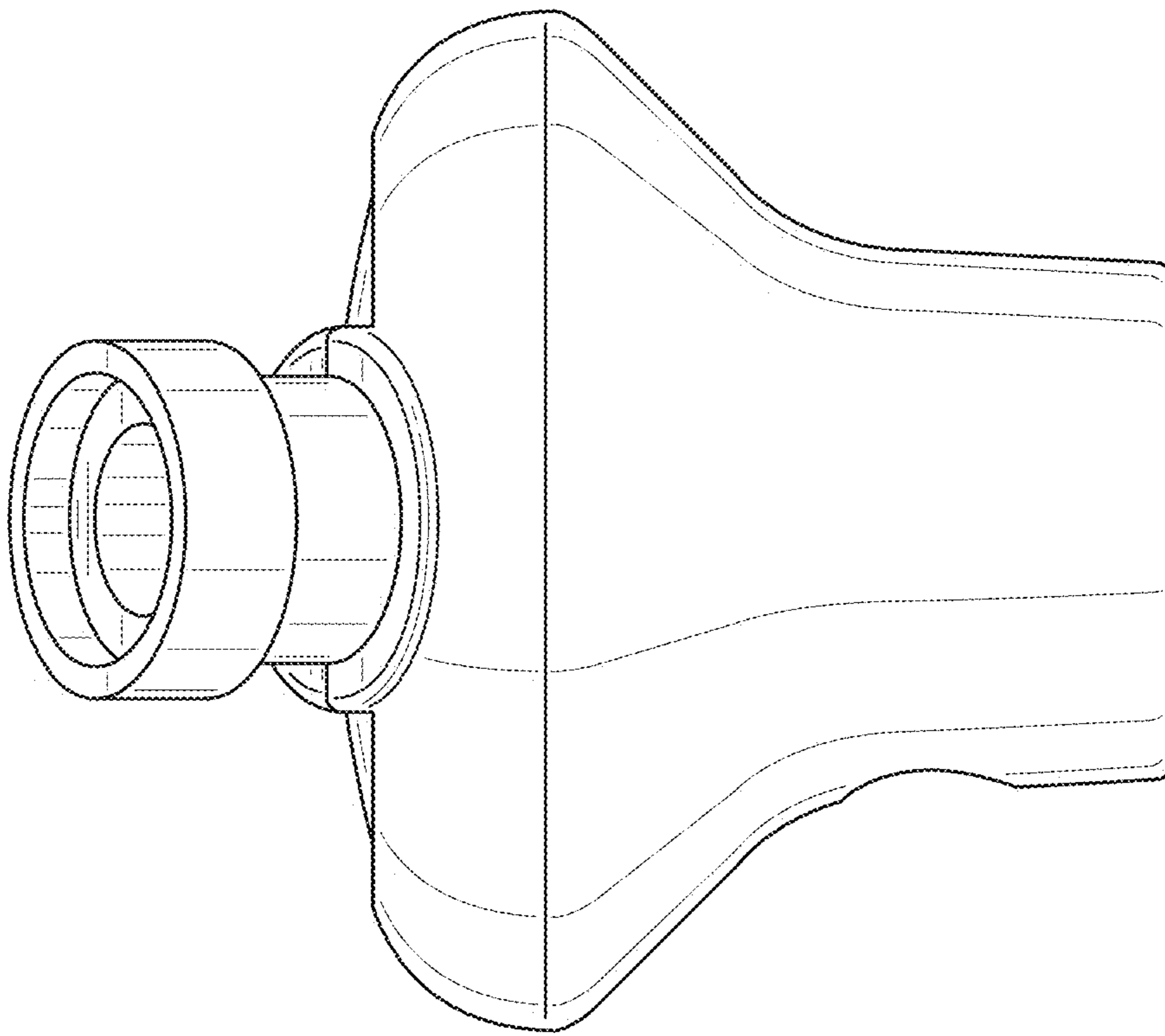


FIG. 5

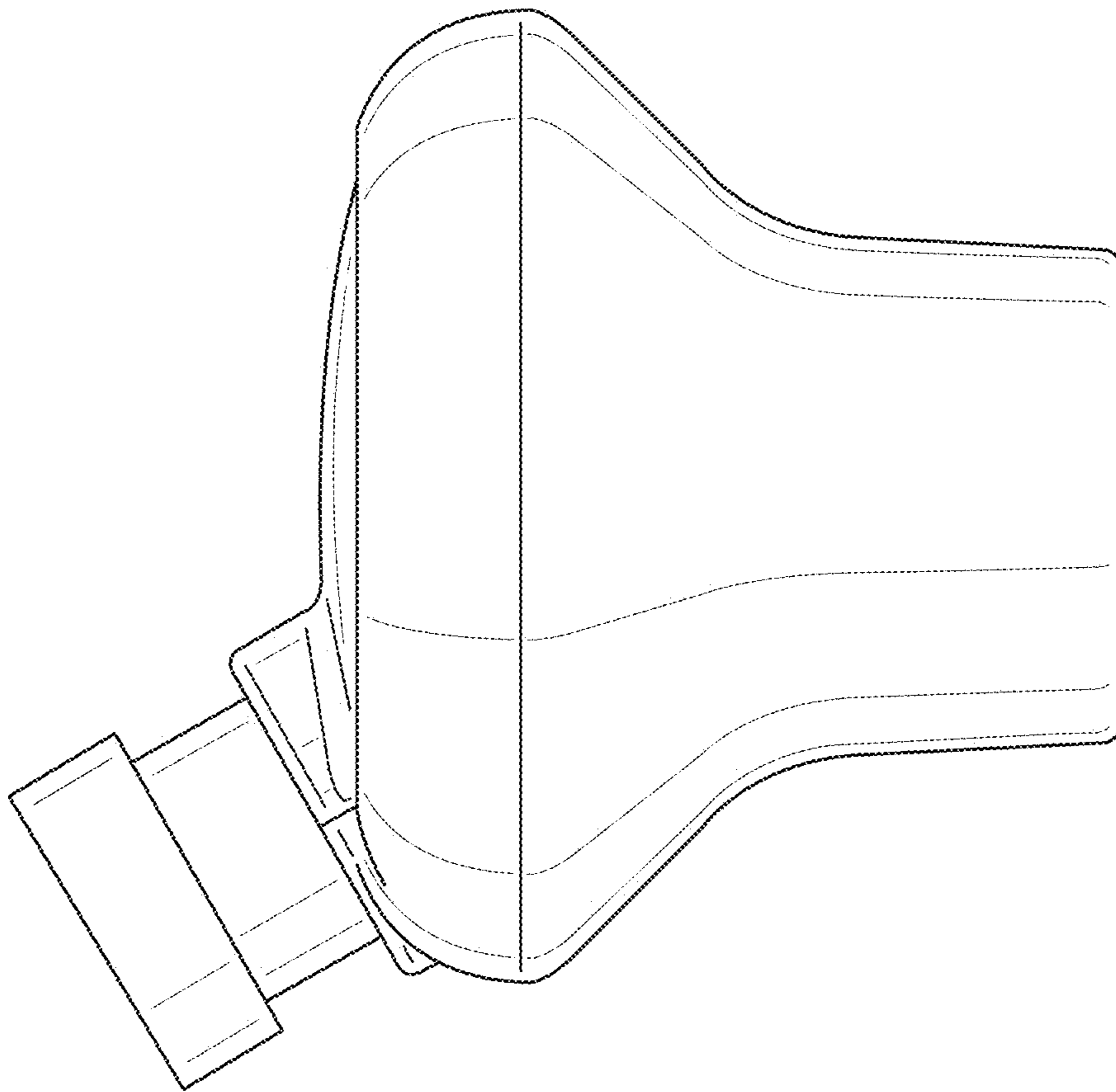


FIG. 6

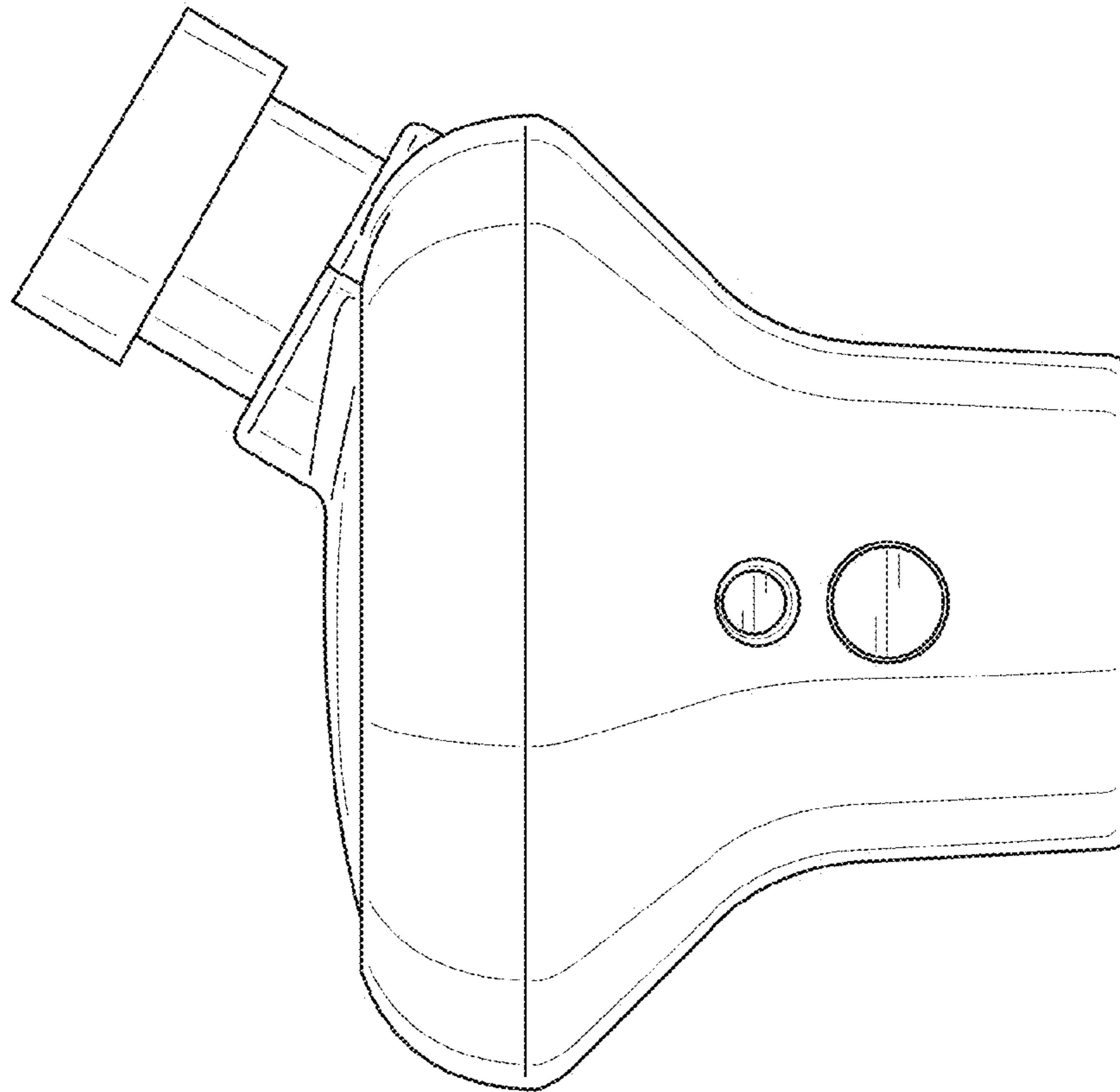


FIG. 7