



US00D735692S

(12) **United States Design Patent**
Bremyer

(10) **Patent No.:** **US D735,692 S**
(45) **Date of Patent:** **** Aug. 4, 2015**

- (54) **HEADPHONE DEVICE**
- (71) Applicant: **Peak Audio, LLC**, McPherson, KS (US)
- (72) Inventor: **Matt Bremyer**, Laramie, WY (US)
- (**) Term: **14 Years**
- (21) Appl. No.: **29/493,282**
- (22) Filed: **Jun. 6, 2014**
- (51) **LOC (10) Cl.** **14-01**
- (52) **U.S. Cl.**
USPC **D14/205**
- (58) **Field of Classification Search**
USPC D14/205; D29/112; 2/209; 181/129,
181/130, 135; 379/430, 431; 381/380, 381;
455/90.3, 575.1
CPC H04R 1/1066
See application file for complete search history.

D662,080 S *	6/2012	Carr et al.	D14/205
D664,116 S *	7/2012	Hutchieson	D14/205
D664,117 S *	7/2012	Tappeiner et al.	D14/205
D666,991 S *	9/2012	Lee et al.	D14/205
D678,860 S *	3/2013	Hagelin	D14/205
D683,329 S *	5/2013	Hagelin	D14/205
D684,139 S *	6/2013	Miyake et al.	D14/205
D685,345 S *	7/2013	Serota	D14/205
D690,282 S *	9/2013	Lee et al.	D14/205
D690,284 S *	9/2013	Brennwald	D14/205
D691,984 S *	10/2013	Wang	D14/205
D699,702 S *	2/2014	Chen	D14/205

* cited by examiner

Primary Examiner — Paula Greene

(74) *Attorney, Agent, or Firm* — The Elliott Law Firm;
Douglas H. Elliot; Sarah J. Kelly

(57) **CLAIM**

The ornamental design of a headphone device, as shown and described.

DESCRIPTION

FIG. 1 is a side view of a headphone device in accordance with the present invention, the other side is a mirror image of FIG. 1;

FIG. 2 is a top view of the headphone device in FIG. 1;

FIG. 3 is a front view of the headphone device in FIG. 1; and, FIG. 4 is a front perspective view of the headphone device in FIG. 1.

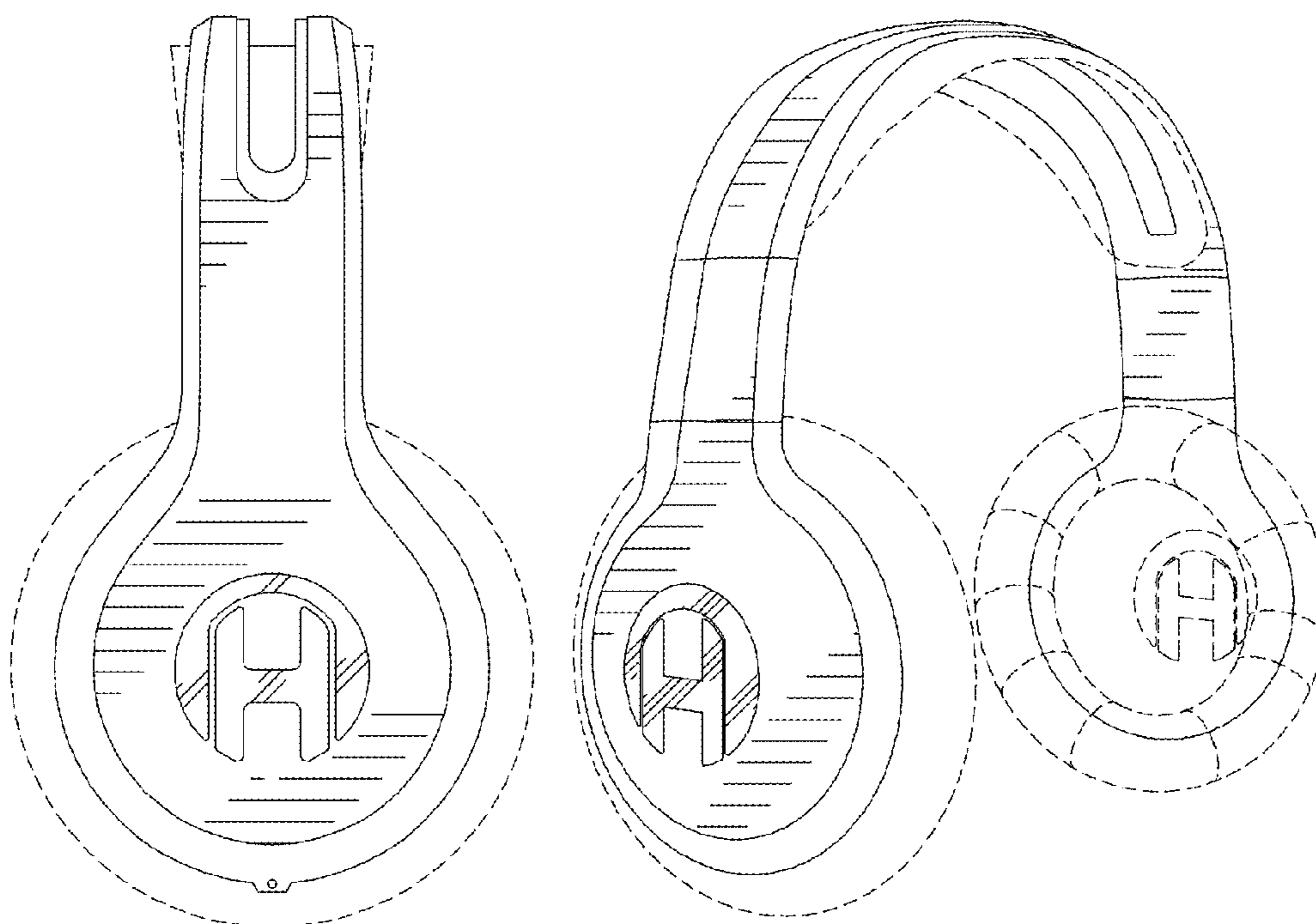
The broken lines showing the remainder of the headphone device are directed to environment. None of the broken lines form a part of the claimed design. The oblique lines indicate a transparent or translucent material.

1 Claim, 2 Drawing Sheets

(56) **References Cited**

U.S. PATENT DOCUMENTS

D351,172 S *	10/1994	Nakamura et al.	D14/205
5,551,089 A *	9/1996	Whidden	2/209
D476,639 S *	7/2003	Bergeron et al.	D14/205
6,724,906 B2 *	4/2004	Naksen et al.	381/379
6,980,165 B2 *	12/2005	Yuasa et al.	343/718
7,072,483 B2 *	7/2006	Lenhard-Backhaus	381/383
D541,257 S *	4/2007	Thursfield	D14/205
D552,077 S *	10/2007	Brunner et al.	D14/205
D603,371 S *	11/2009	Boateng et al.	D14/205
D632,668 S *	2/2011	Brunner et al.	D14/205
8,006,320 B1 *	8/2011	Rohbani	2/209
D652,405 S *	1/2012	Lee et al.	D14/205
D657,344 S *	4/2012	Brunner et al.	D14/205



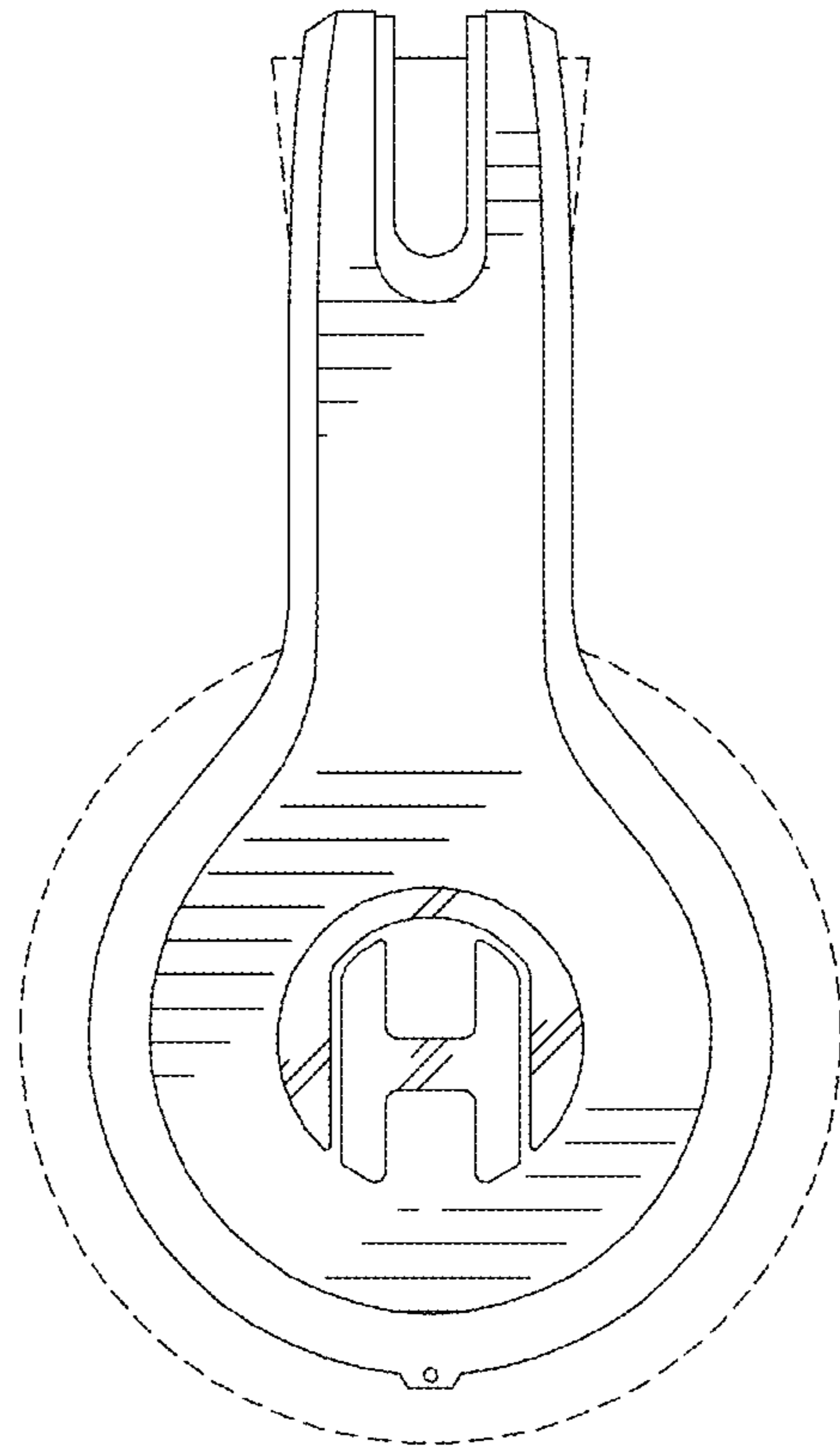


FIG. 1

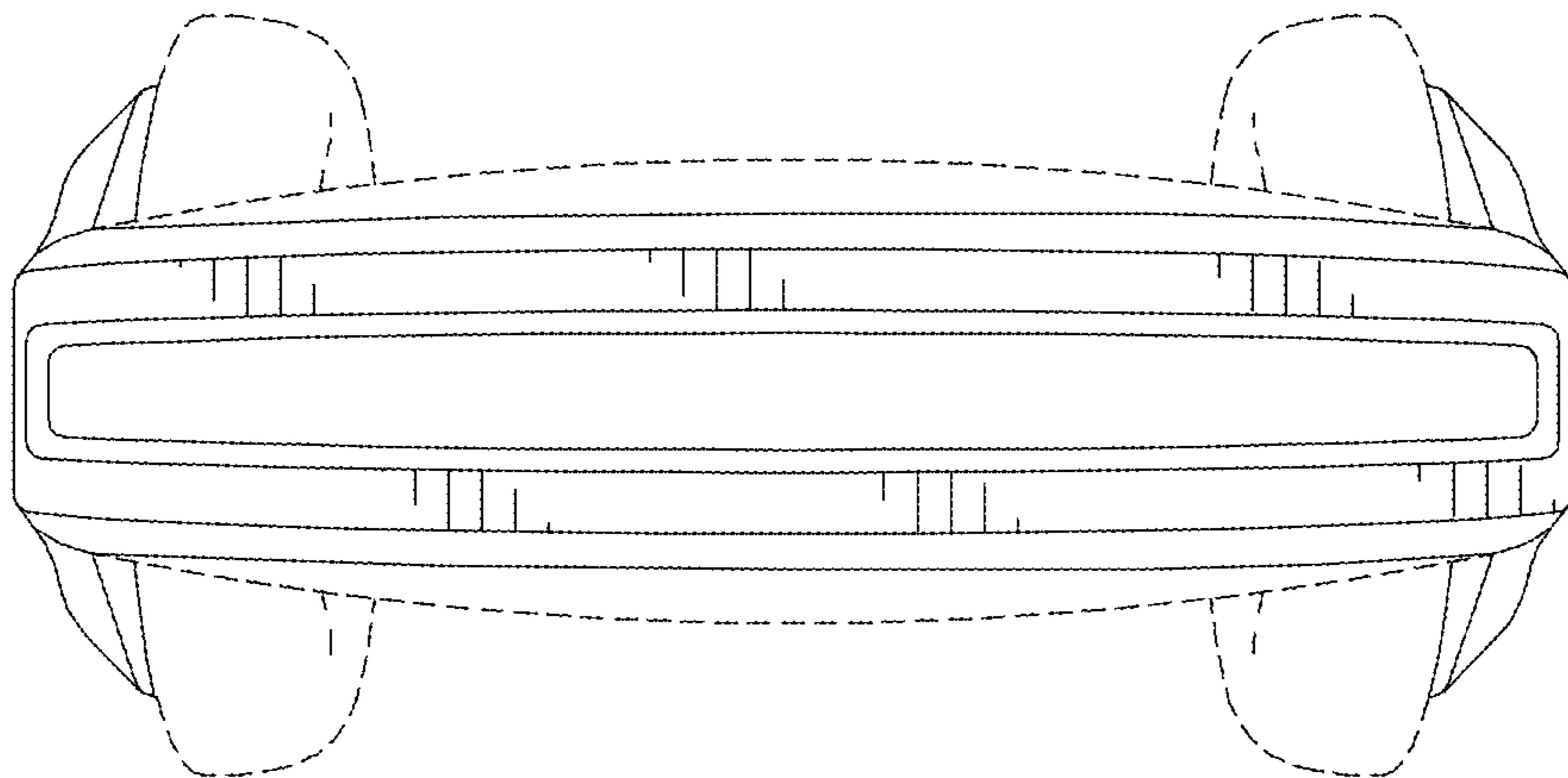


FIG. 2

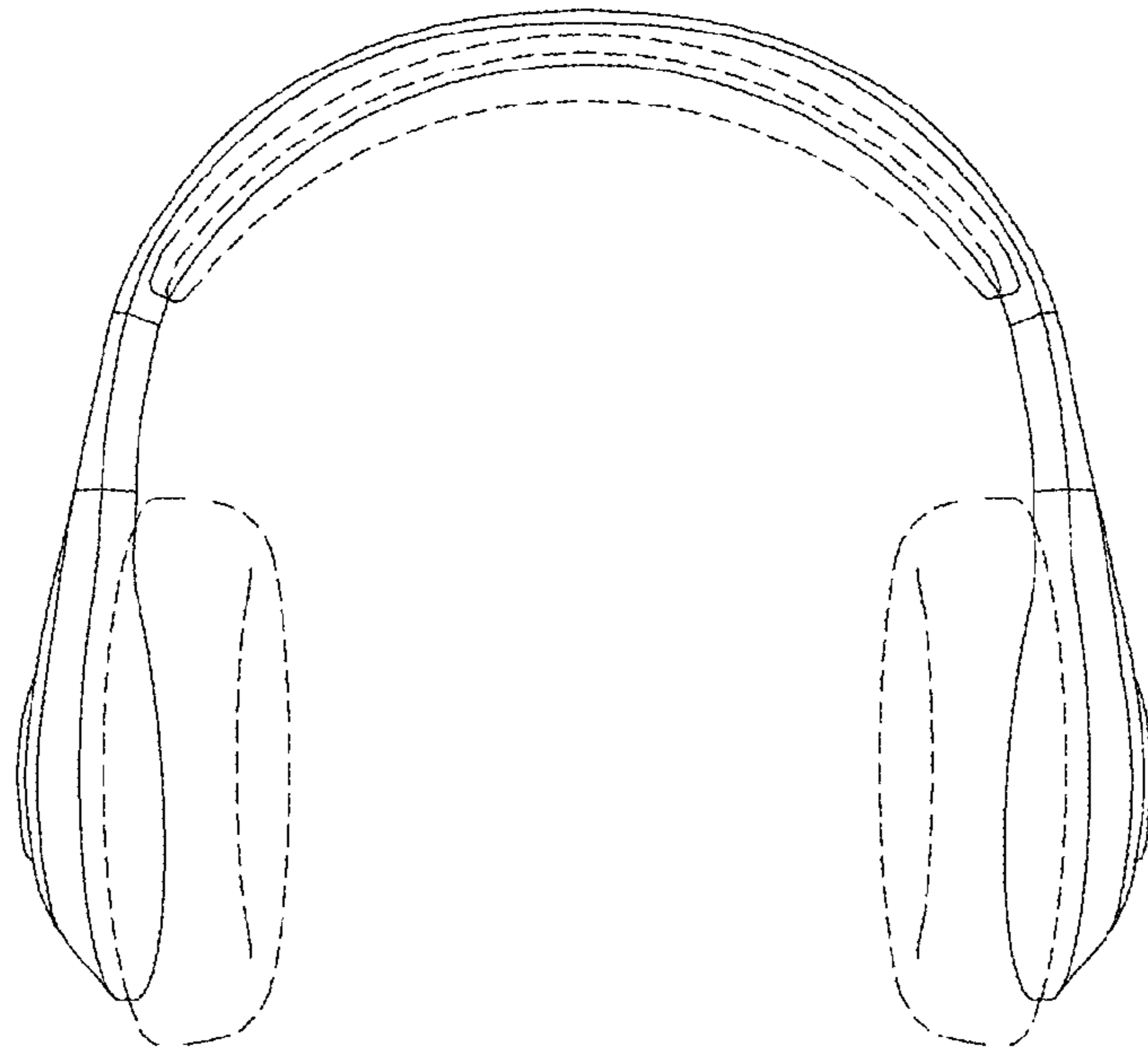


FIG. 3

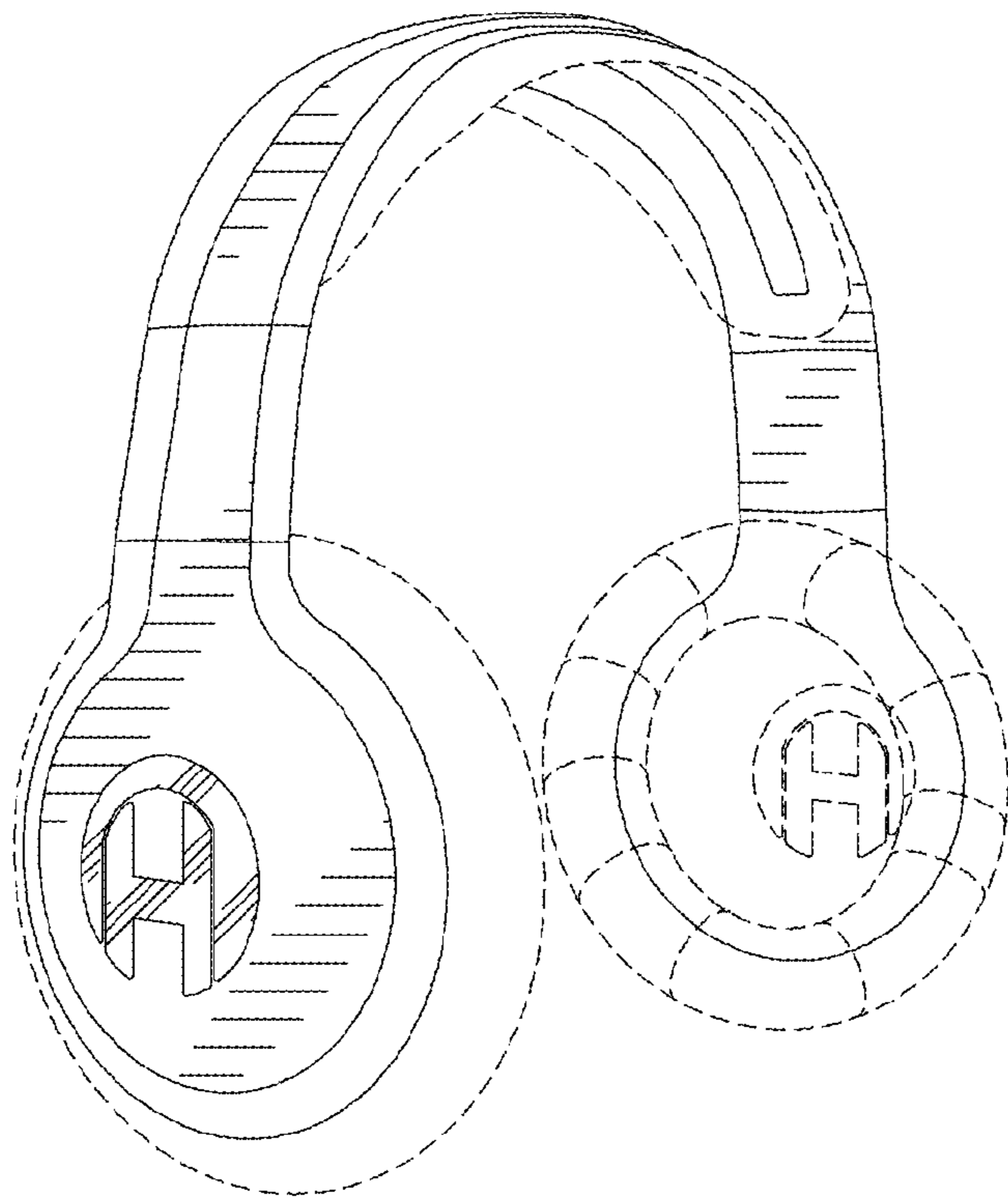


FIG. 4