



US00D735691S

(12) **United States Design Patent**  
**Sparks et al.**

(10) **Patent No.:** **US D735,691 S**

(45) **Date of Patent:** **\*\* \*Aug. 4, 2015**

(54) **EARCUPS FOR A HEADSET**

(71) Applicant: **Microsoft Corporation**, Redmond, WA  
(US)

(72) Inventors: **Bryan A. Sparks**, Sammamish, WA  
(US); **Monika Wolf**, Redmond, WA  
(US); **Eric Joseph Wahl**, Kirkland, WA  
(US); **Aditha May Adams**, Seattle, WA  
(US)

(73) Assignee: **Microsoft Corporation**, Redmond, WA  
(US)

(\*) Notice: This patent is subject to a terminal disclaimer.

(\*\*) Term: **14 Years**

(21) Appl. No.: **29/464,500**

(22) Filed: **Aug. 16, 2013**

(51) **LOC (10) Cl.** ..... **14-01**

(52) **U.S. Cl.**  
USPC ..... **D14/205**

(58) **Field of Classification Search**  
USPC ..... D14/205; D29/112; 2/209; 181/129,  
181/130, 135; 379/430, 431; 381/380, 381;  
455/90.3, 575.1  
CPC ..... H04R 1/1066  
See application file for complete search history.

(56) **References Cited**

**U.S. PATENT DOCUMENTS**

2,812,517	A	11/1957	Bogart et al.	
2,883,671	A *	4/1959	Hornickel	2/209
2,883,672	A *	4/1959	Hornickel et al.	2/209
2,954,442	A	9/1960	Mickenberg	
3,073,410	A *	1/1963	Gongoll et al.	2/209
D196,654	S	10/1963	Van Den Berg	
3,454,964	A	7/1969	Brinkhoff	
3,506,981	A *	4/1970	Stewart et al.	2/209

3,593,341	A *	7/1971	Aileo	2/209
3,637,040	A *	1/1972	Gorman	181/175
D228,352	S *	9/1973	Itagaki	D14/205
3,797,045	A *	3/1974	Aho	2/209
3,875,592	A *	4/1975	Aileo	2/209
3,922,725	A *	12/1975	Csiki et al.	2/209
4,459,707	A *	7/1984	Stallings	2/209
4,542,803	A *	9/1985	Houng	181/129
4,546,215	A *	10/1985	Ferraro	381/374
4,572,323	A *	2/1986	Randall	181/129

(Continued)

**OTHER PUBLICATIONS**

Webpage, <http://www.bestbuy.com/site/frends-taylor-oyer-the-ear-headphones-silver-black/6453663.p?id=1218737493896&skuld=6453663&skuID=6453663>; date of posting Dec. 10, 2012.

(Continued)

*Primary Examiner* — Paula Greene

(74) *Attorney, Agent, or Firm* — Banner & Witcoff, Ltd.

(57) **CLAIM**

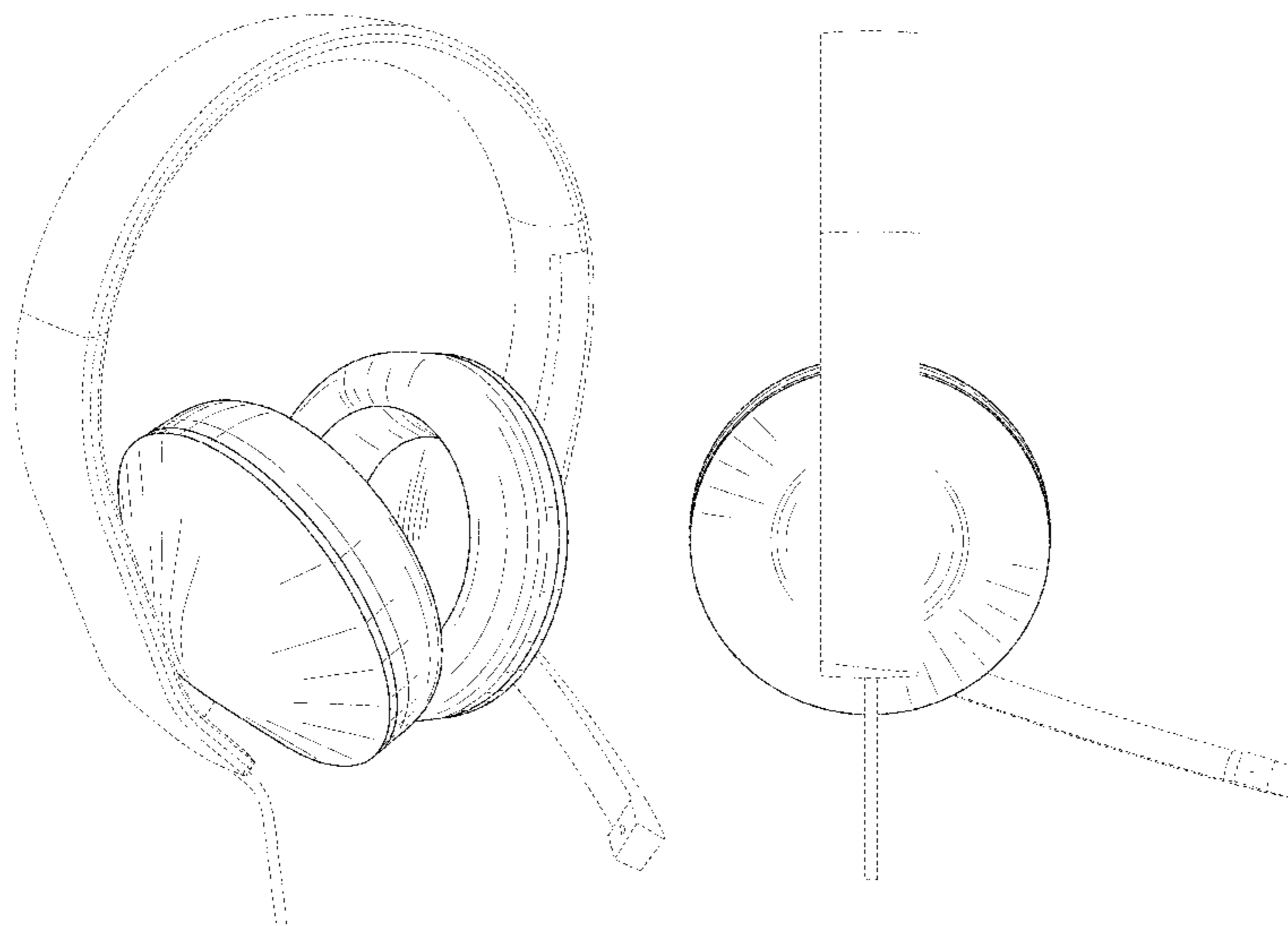
The ornamental design for a earcups for a headset, as shown and described.

**DESCRIPTION**

FIG. 1 is a front perspective view of earcups for a headset showing our new design;  
FIG. 2 is a front view thereof;  
FIG. 3 is a rear view thereof;  
FIG. 4 is a right side view thereof;  
FIG. 5 is a left side view thereof;  
FIG. 6 is a top view thereof;  
FIG. 7 is a bottom view thereof;  
FIG. 8 is a perspective view of the design showing one earcup in isolation for clarity purposes; and,  
FIG. 9 is a right view thereof.

The broken line showing of the remainder of the headset is for environmental purposes only and forms no part of the claimed design.

**1 Claim, 9 Drawing Sheets**



(56)

References Cited

U.S. PATENT DOCUMENTS

4,597,469 A 7/1986 Nagashima  
 D300,133 S 3/1989 Daidoh et al.  
 4,856,118 A \* 8/1989 Sapiejewski ..... 2/209  
 D310,081 S 8/1990 Daido et al.  
 D313,092 S 12/1990 Nilsson  
 D316,551 S 4/1991 Ichikawa  
 D346,172 S 4/1994 Fields et al.  
 D350,354 S 9/1994 Nakamura  
 D371,558 S 7/1996 Yoshizawa  
 D371,560 S 7/1996 Fenton et al.  
 5,826,597 A 10/1998 Chou  
 5,987,647 A 11/1999 Ouellette  
 5,996,123 A 12/1999 Leight et al.  
 6,016,574 A 1/2000 Chen  
 D430,140 S 8/2000 Roman  
 6,353,938 B1 \* 3/2002 Young ..... 2/209  
 D461,931 S 8/2002 Kelly  
 D463,857 S 10/2002 Dix et al.  
 6,560,346 B2 5/2003 Ohta et al.  
 6,584,984 B2 7/2003 Kelly  
 D491,163 S 6/2004 Green  
 D512,708 S \* 12/2005 Harris et al. .... D14/205  
 D518,479 S 4/2006 Skulley  
 D530,307 S 10/2006 Rath  
 D534,156 S 12/2006 Obata  
 D539,788 S 4/2007 Thompson et al.  
 D540,777 S 4/2007 Rausch et al.  
 D541,256 S 4/2007 Rausch et al.  
 D541,257 S \* 4/2007 Thursfield ..... D14/205  
 D542,774 S 5/2007 Rausch et al.  
 D571,354 S \* 6/2008 Ng ..... D14/205  
 D588,100 S 3/2009 Densho et al.  
 D603,371 S \* 11/2009 Boateng et al. .... D14/205  
 D625,705 S \* 10/2010 Ohori et al. .... D14/205  
 D633,471 S 3/2011 Sugiyama  
 D634,732 S \* 3/2011 Kondo et al. .... D14/205  
 D641,003 S 7/2011 Alden  
 D649,528 S \* 11/2011 Park ..... D14/205  
 D654,471 S 2/2012 Fischer  
 D654,472 S 2/2012 Fischer

D657,344 S \* 4/2012 Brunner et al. .... D14/205  
 D657,776 S \* 4/2012 Lee et al. .... D14/205  
 D663,717 S 7/2012 Hutchieson  
 D664,114 S 7/2012 Tsuchiya  
 D665,775 S 8/2012 Katsumata  
 D666,992 S \* 9/2012 Lee et al. .... D14/205  
 D671,914 S \* 12/2012 Lee et al. .... D14/205  
 D675,595 S \* 2/2013 Cho et al. .... D14/205  
 D677,647 S \* 3/2013 Lee et al. .... D14/205  
 D678,859 S \* 3/2013 Lee ..... D14/205  
 D680,516 S \* 4/2013 Lee ..... D14/205  
 D683,329 S 5/2013 Hagelin  
 D683,717 S \* 6/2013 Kelly et al. .... D14/205  
 D689,464 S \* 9/2013 Bonahoom et al.  
 D690,282 S \* 9/2013 Lee et al. .... D14/205  
 D690,283 S \* 9/2013 Lee et al. .... D14/205  
 D691,579 S \* 10/2013 Lee et al. .... D14/205  
 D697,495 S 1/2014 Lian  
 D697,896 S \* 1/2014 Lee et al. .... D14/205  
 D697,897 S \* 1/2014 Lee et al. .... D14/205  
 D699,216 S 2/2014 Bonahoom et al.  
 8,646,466 B2 2/2014 Howard et al.  
 D714,255 S \* 9/2014 Sparks et al. .... D14/206  
 D715,251 S \* 10/2014 Sparks et al. .... D14/205  
 D715,252 S \* 10/2014 Sparks et al. .... D14/205  
 D721,055 S \* 1/2015 Sparks et al. .... D14/206  
 D722,041 S \* 2/2015 Sparks et al. .... D14/206  
 D724,562 S \* 3/2015 Sparks et al. .... D14/206  
 2006/0027245 A1 2/2006 Spector

OTHER PUBLICATIONS

Webpage, <http://www.revolveclothing.com/frends-friends-with-benefits-taylor-headphones-in-gold-black/dp/FNDS-WA1/?d=Womens>; date unknown but believed to be prior to Aug. 16, 2013.  
 Webpage, [http://www.wearefriends.com/women/collection/taylor-silver\\_71/](http://www.wearefriends.com/women/collection/taylor-silver_71/), date unknown but believed to be prior to Aug. 16, 2013.  
 Office Action in corresponding JP Application No. 2014-003023, dated May 13, 2014.  
 Webpage, <http://www.bestbuy.com/site/frends-taylor-over-the-ear-headphones-silver-black/6453663.p?id=1218737493896&skuld=6453663&skuID=6453663>; date of posting Dec. 10, 2012.

\* cited by examiner

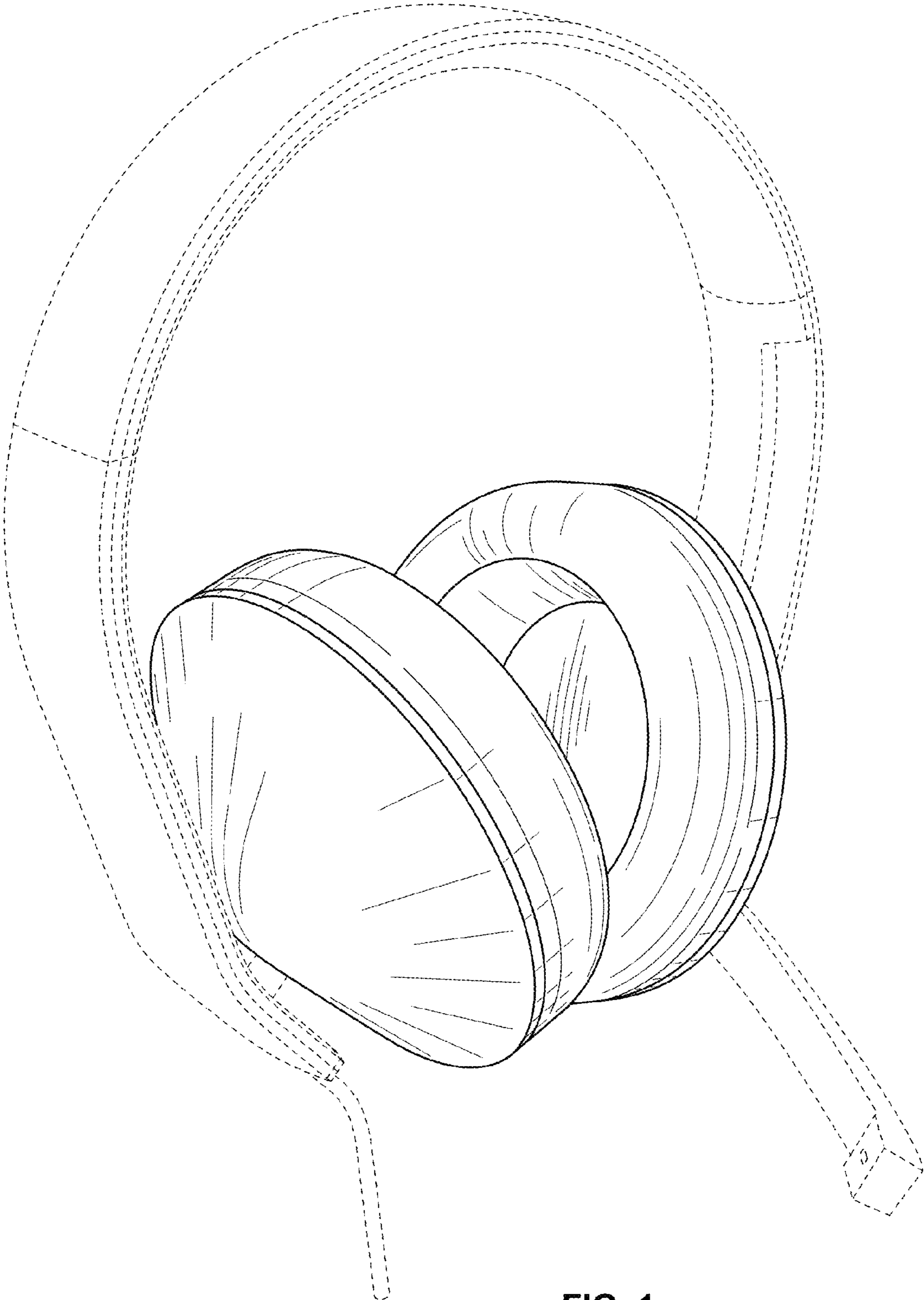


FIG. 1

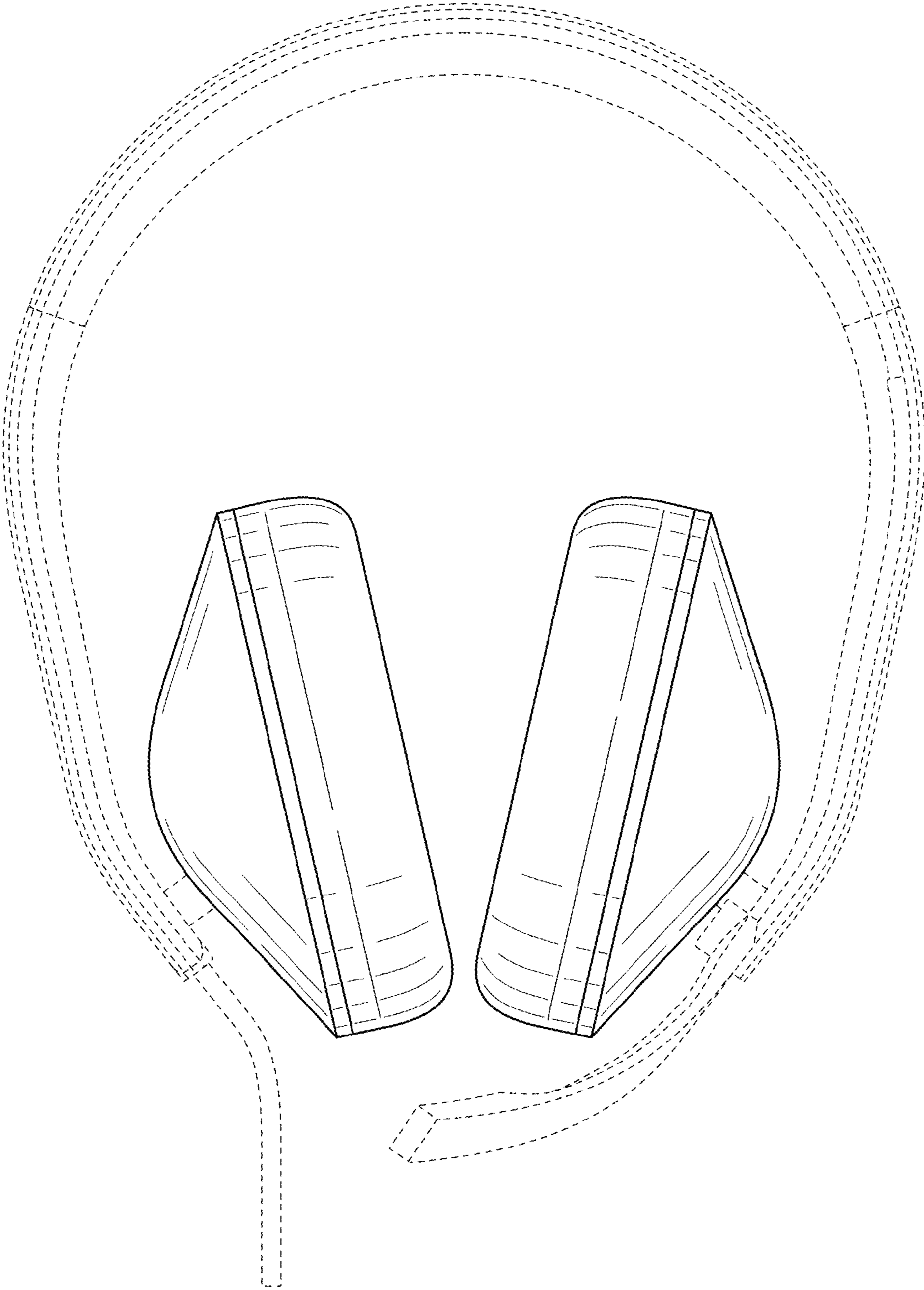


FIG. 2

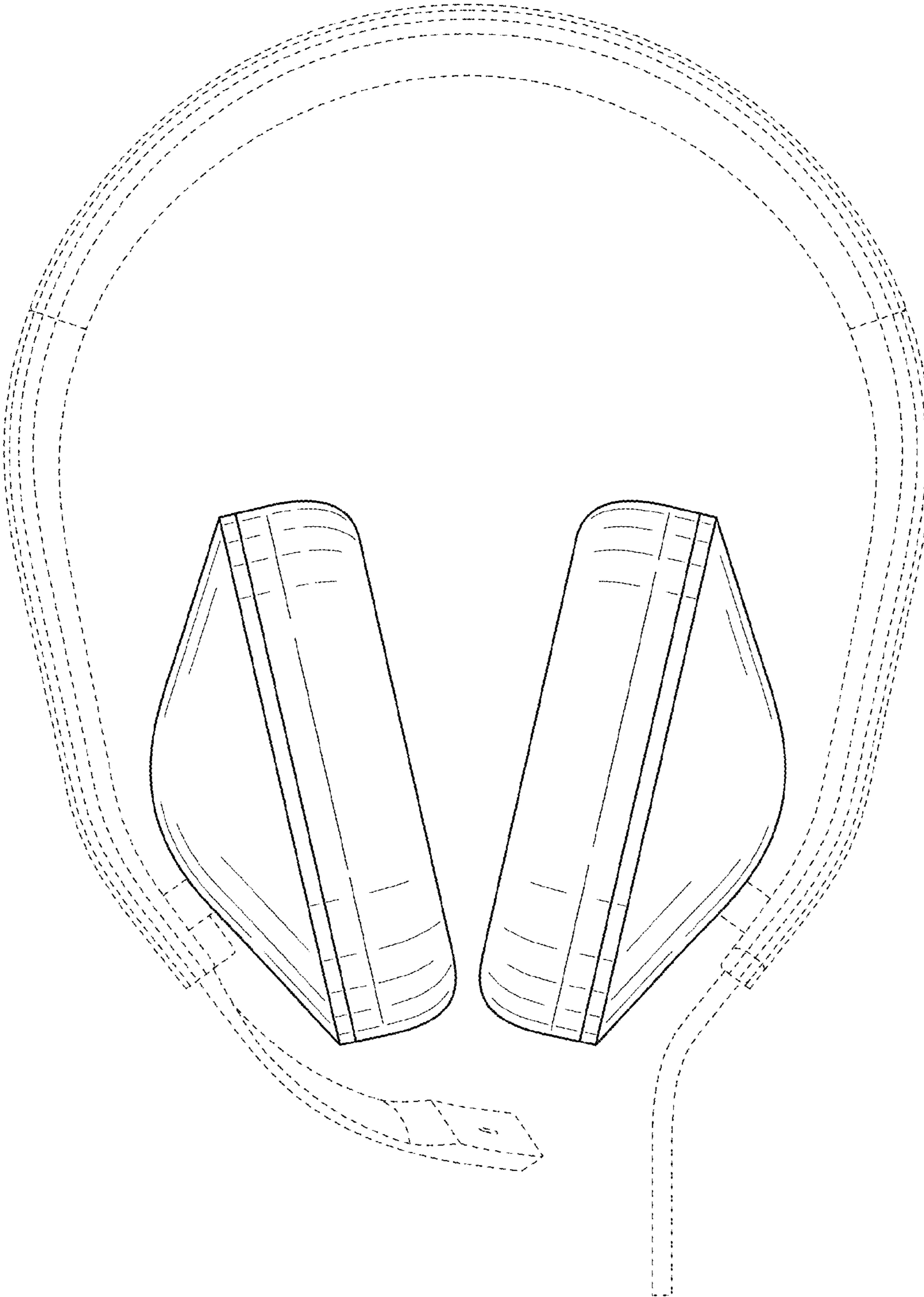


FIG. 3

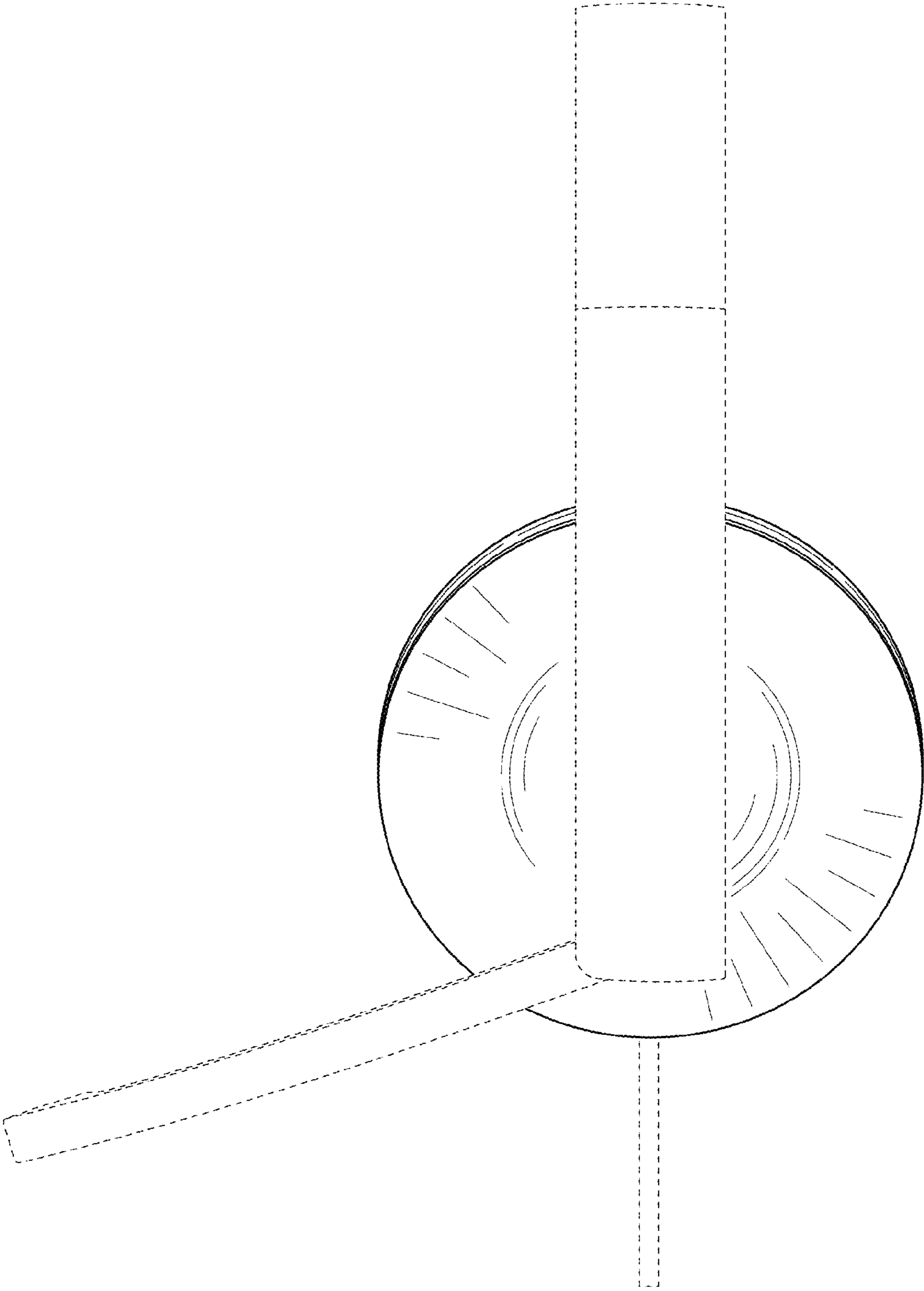


FIG. 4

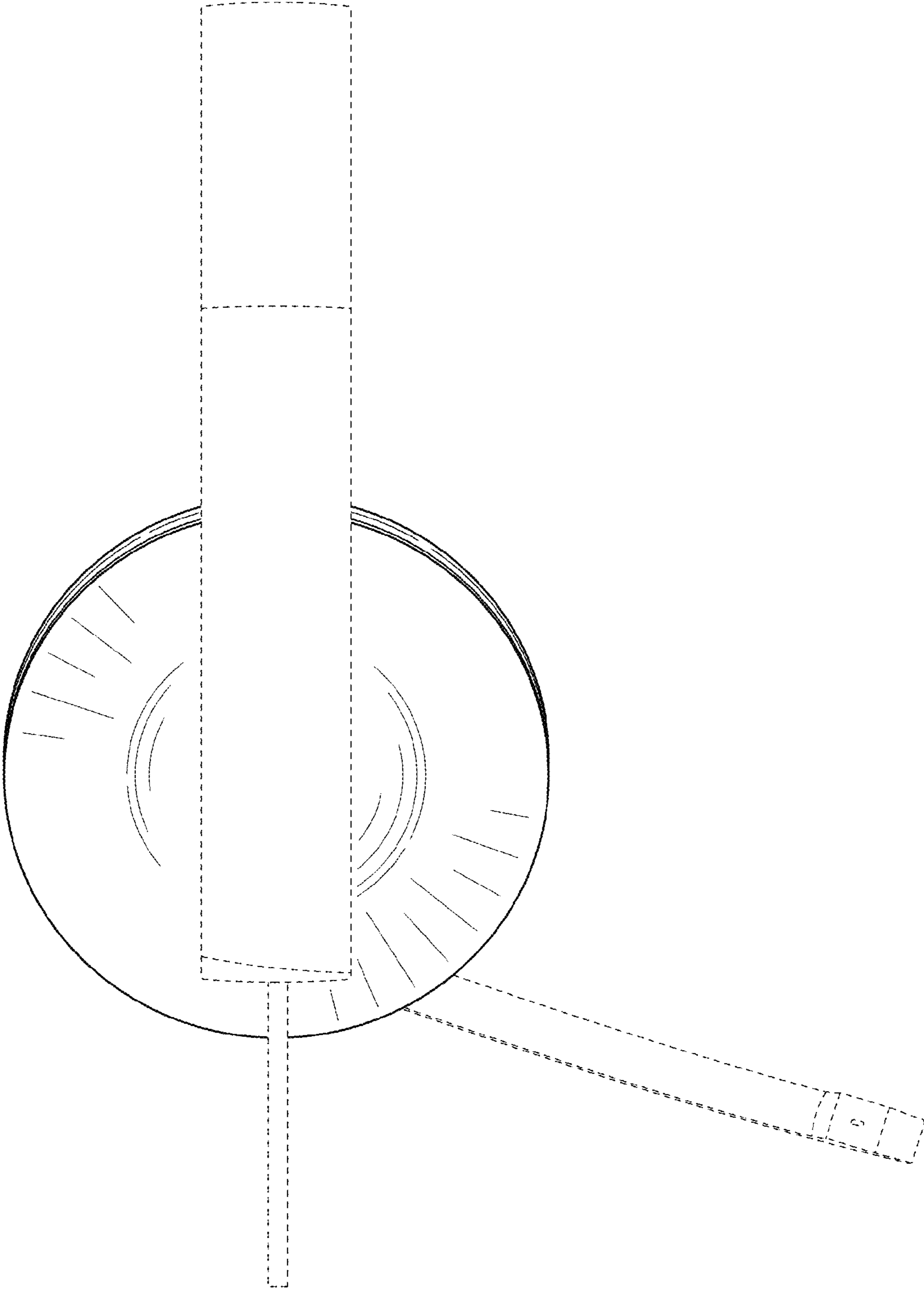


FIG. 5

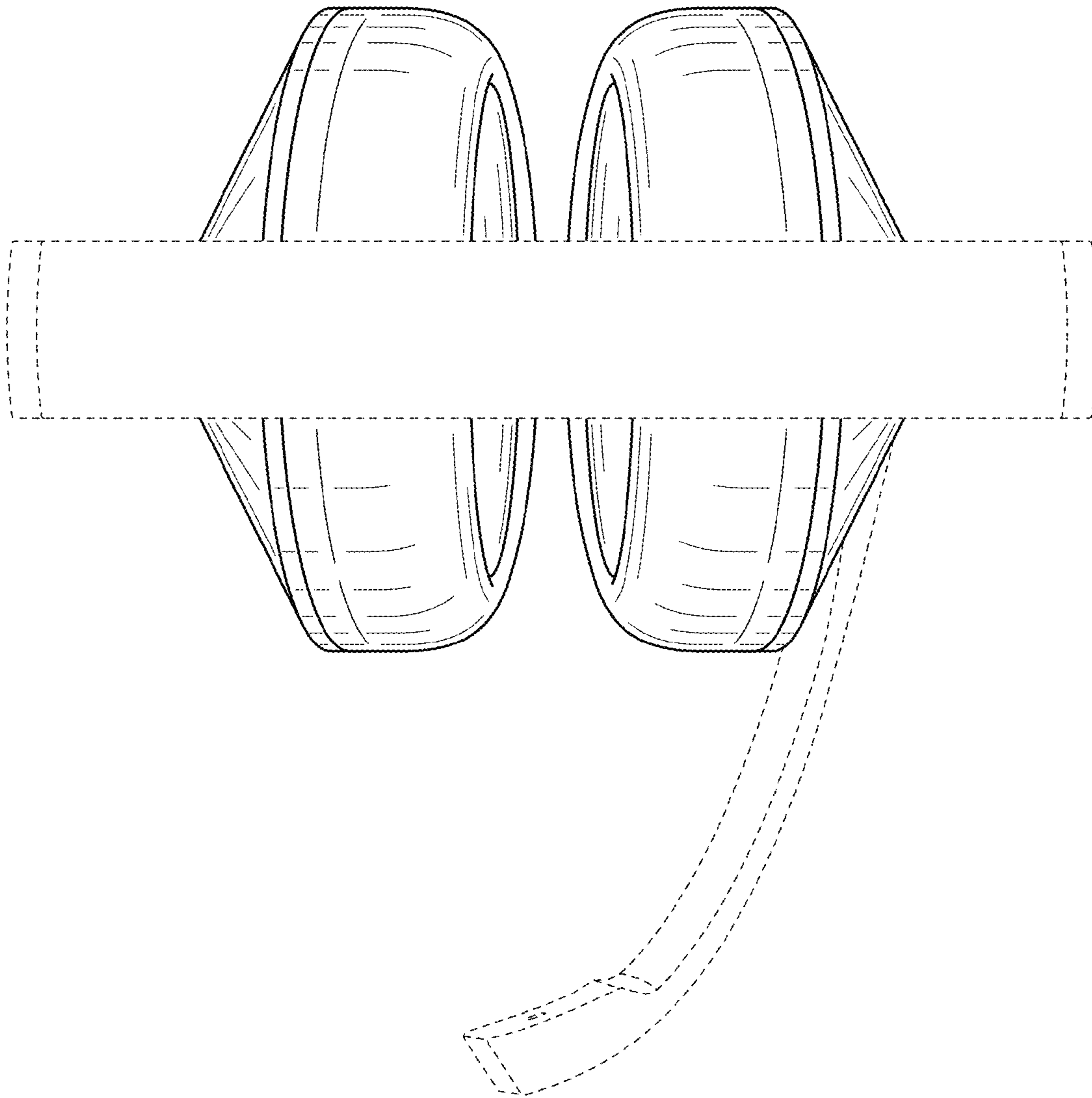


FIG. 6



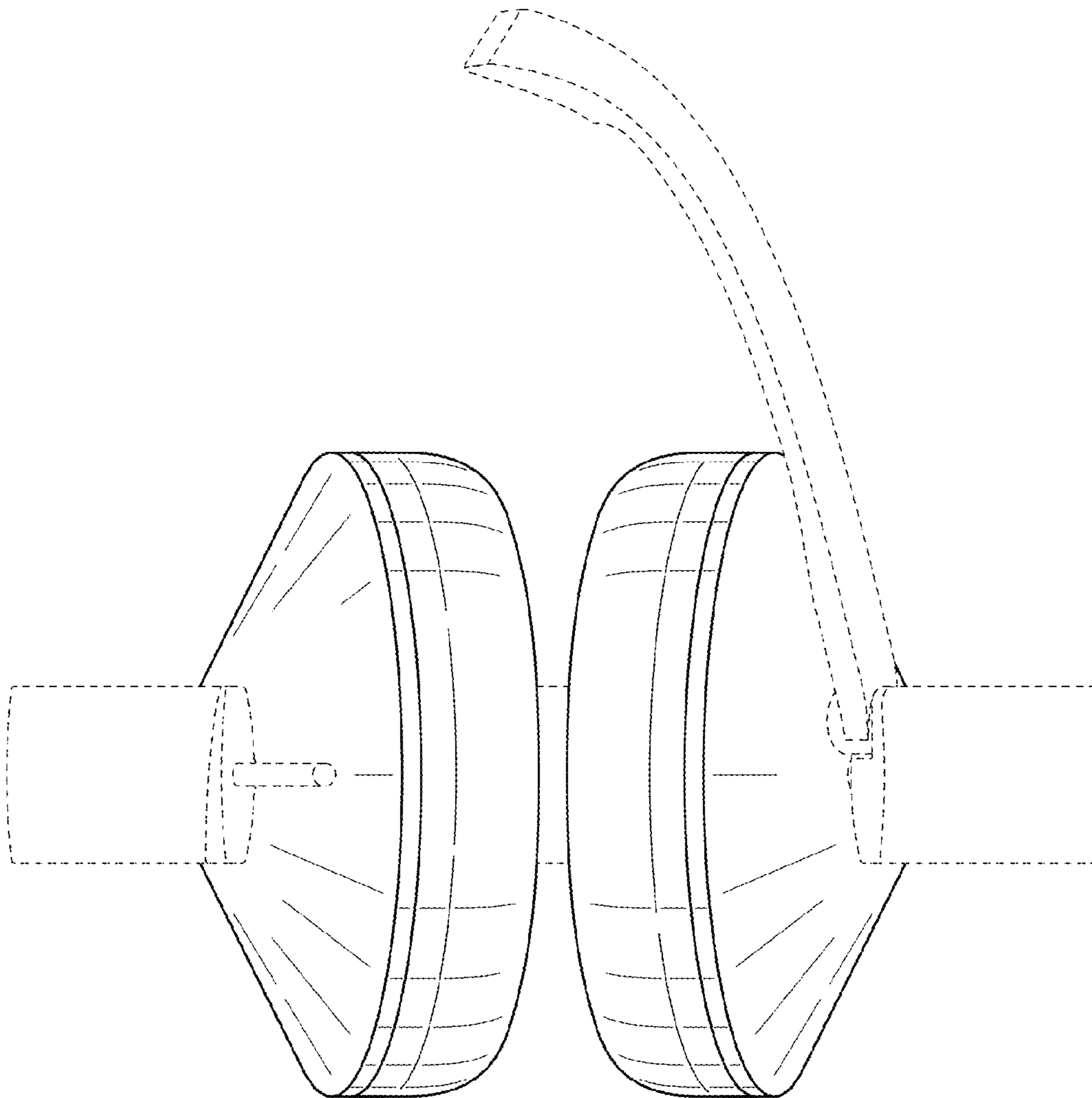


FIG. 7

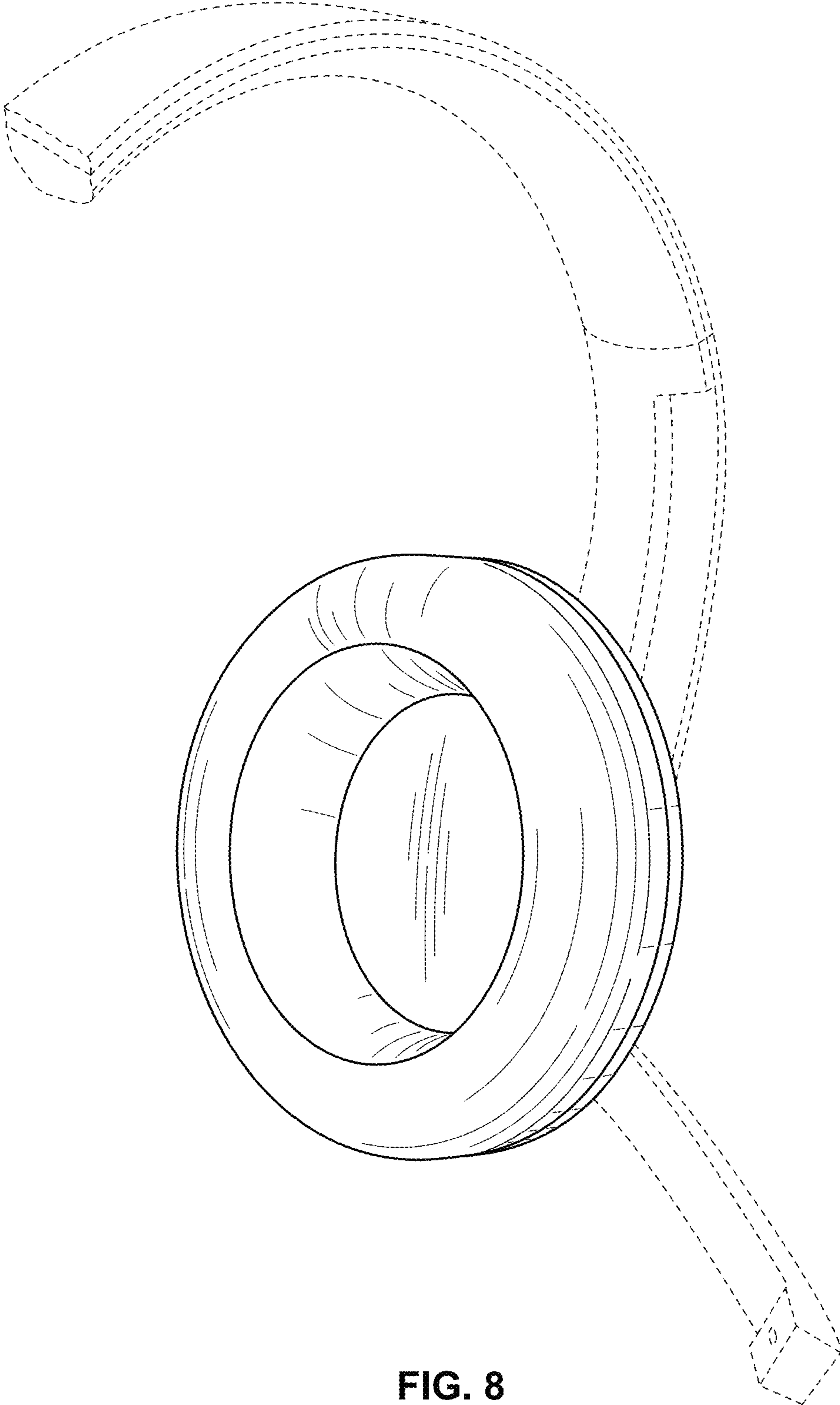


FIG. 8

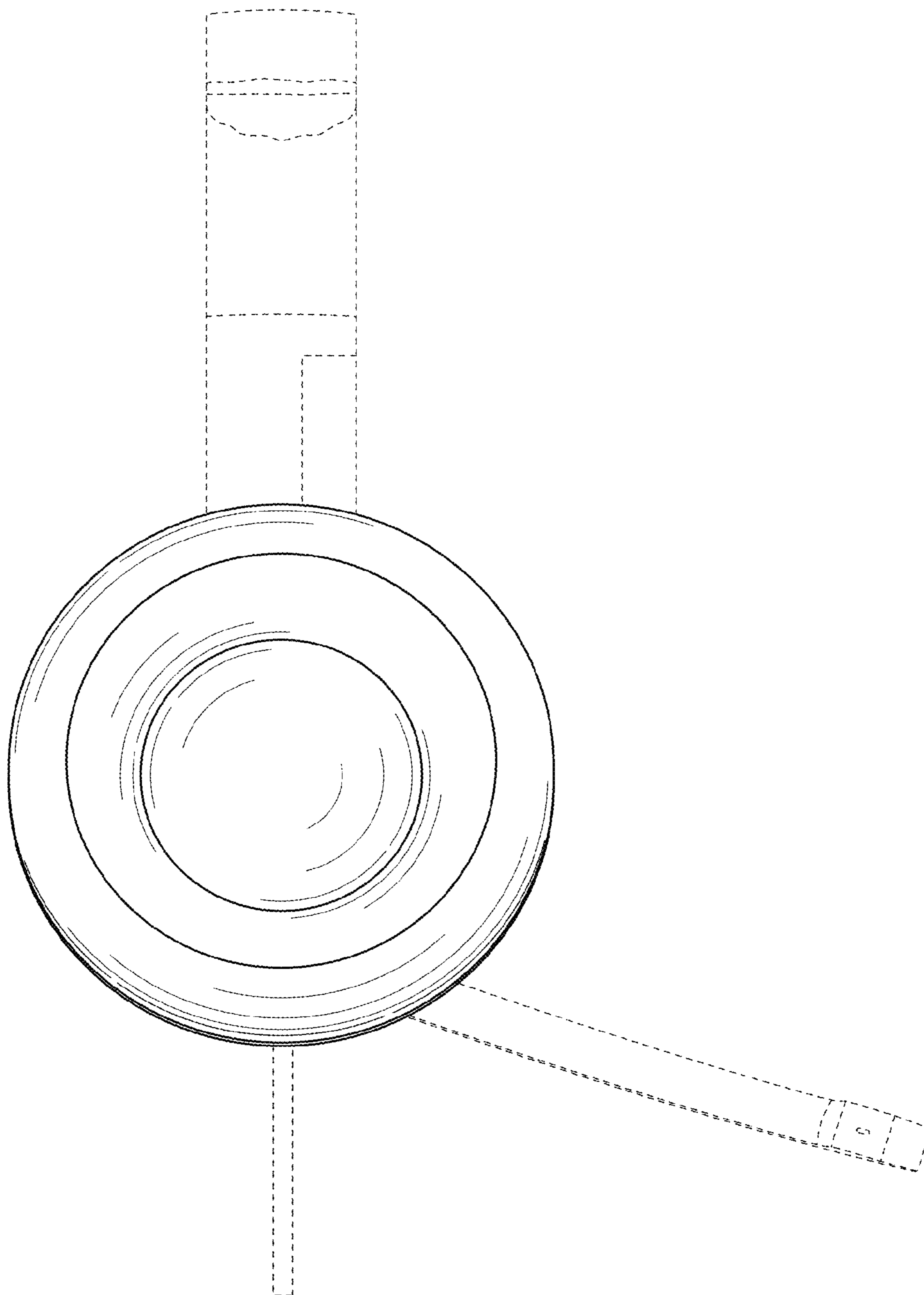


FIG. 9