



US00D735685S

(12) **United States Design Patent**  
**Kim**

(10) **Patent No.:** **US D735,685 S**  
(45) **Date of Patent:** **\*\* Aug. 4, 2015**

(54) **TELEVISION RECEIVER**

(71) Applicant: **Samsung Electronics Co., Ltd.**,  
Suwon-si (KR)

(72) Inventor: **Hee-Bong Kim**, Kimpo-Si (KR)

(73) Assignee: **Samsung Electronics Co., Ltd.**,  
Suwon-si (KR)

(\*\*) Term: **14 Years**

(21) Appl. No.: **29/459,827**

(22) Filed: **Jul. 3, 2013**

(30) **Foreign Application Priority Data**

Jan. 4, 2013 (KR) ..... 30-2013-0000636

(51) **LOC (10) Cl.** ..... **14-03**

(52) **U.S. Cl.**  
USPC ..... **D14/126**

(58) **Field of Classification Search**  
USPC ..... D14/126, 127, 128, 129, 239, 371, 136,  
D14/341, 375; 312/7.2; 348/836, 838, 180,  
348/184, 325, 739; 341/12; 248/917-924,  
248/465; 345/104, 133, 156, 168, 87, 173;  
720/605, 600, 655; 455/347;  
273/148 B; D27/126; D10/15, 26  
CPC ..... H04N 21/42224; H04N 2005/443;  
H04N 21/4122; H04N 21/41407; H04N  
21/4222; H04N 21/43615; H04N 21/43635;  
H04N 5/4403; H04N 5/64; H04N 5/655;  
H04N 5/645; H04N 7/00

See application file for complete search history.

(56) **References Cited**

U.S. PATENT DOCUMENTS

D686,583 S \* 7/2013 Yoo et al. .... D14/126  
D686,584 S \* 7/2013 Yoo et al. .... D14/126  
D686,585 S \* 7/2013 Yoon et al. .... D14/126  
D687,036 S \* 7/2013 Seong et al. .... D14/374

\* cited by examiner

*Primary Examiner* — Randall Gholson  
(74) *Attorney, Agent, or Firm* — NSIP Law

(57) **CLAIM**

The ornamental design for a television receiver, as shown and described.

**DESCRIPTION**

FIG. 1 is a perspective view of a television receiver, showing my new design;  
FIG. 2 is a front view thereof;  
FIG. 3 is a rear view thereof;  
FIG. 4 is a left-side view thereof;  
FIG. 5 is a right-side view thereof;  
FIG. 6 is a top plan view thereof;  
FIG. 7 is a bottom plan view thereof;  
FIG. 8 is a partial enlarged view of the portion A encircled in FIG. 1;  
FIG. 9 is a partial enlarged view of the portion B encircled in FIG. 2;  
FIG. 10 is a partial enlarged view of the portion C encircled in FIG. 4;  
FIG. 11 is a partial enlarged view of the portion D encircled in FIG. 5;  
FIG. 12 is a partial enlarged view of the portion E encircled in FIG. 6; and,  
FIG. 13 is a partial enlarged view of the portion F encircled in FIG. 7.

The broken lines depict portions of the television receiver that form no part of the claimed design. The dot-dash broken lines encircling portions of the claimed design that are illustrated in enlargements form no part of the claimed design. The shade lines in the figures show contour and not surface ornamentation.

**1 Claim, 11 Drawing Sheets**

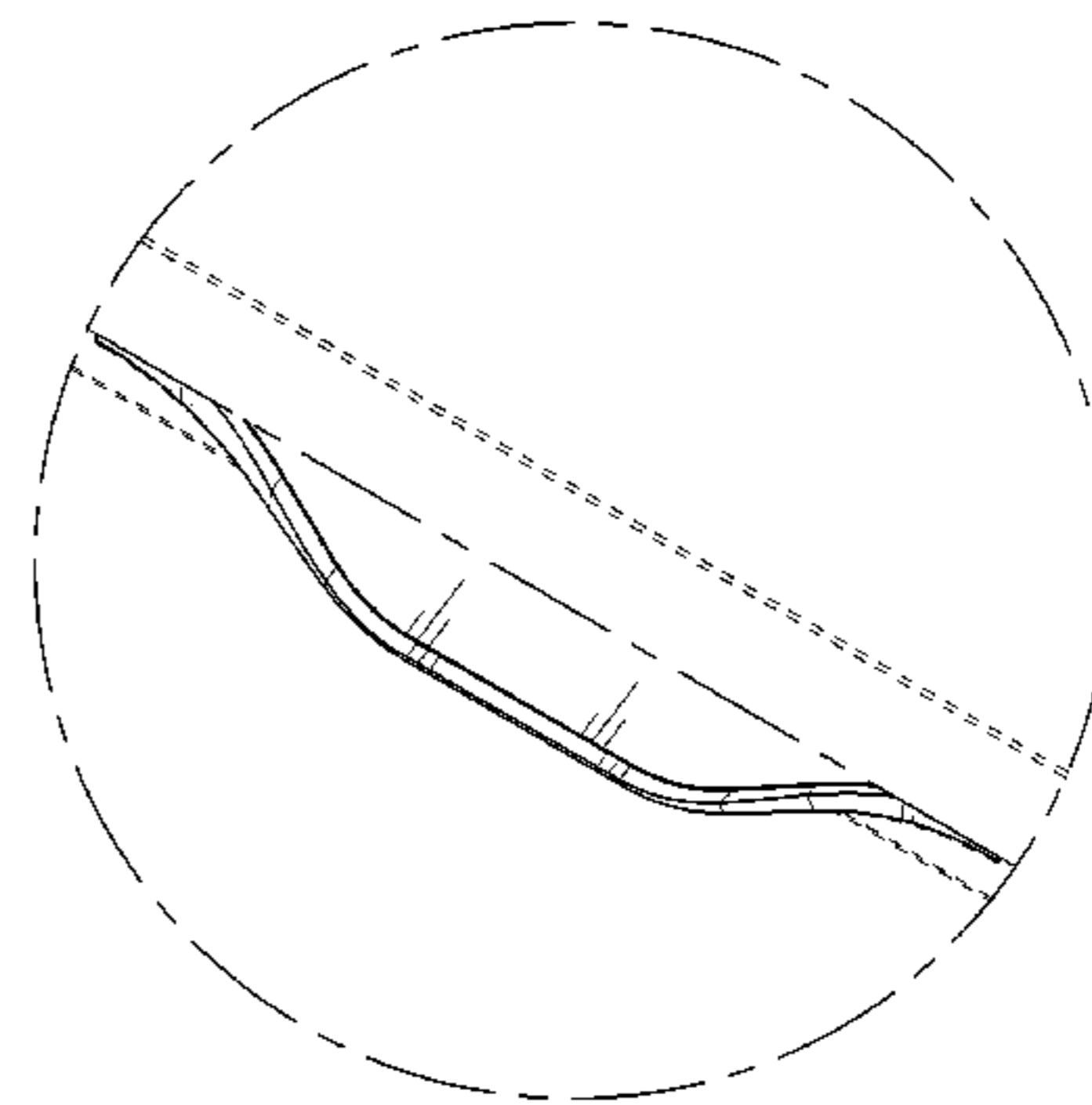
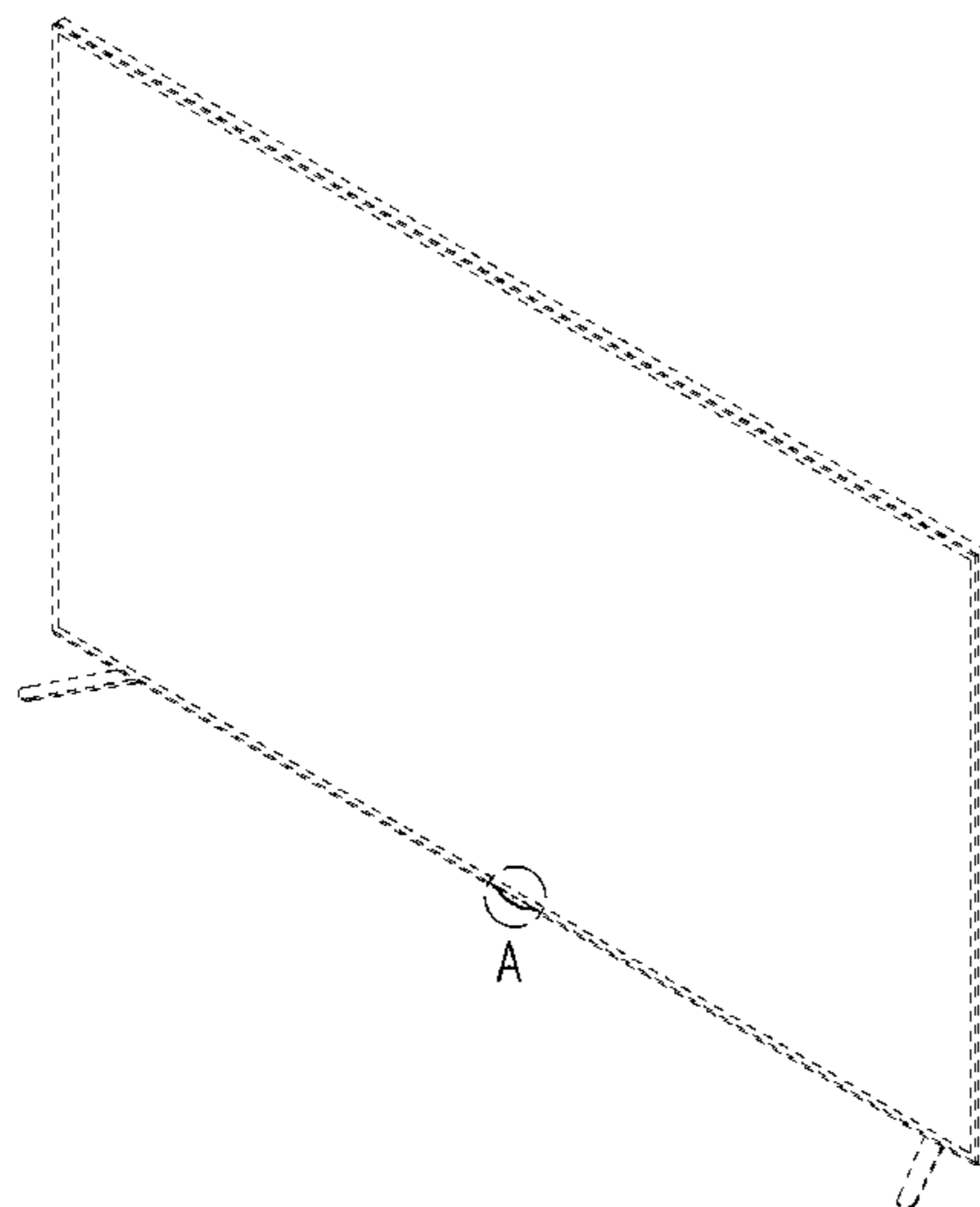


FIG. 1

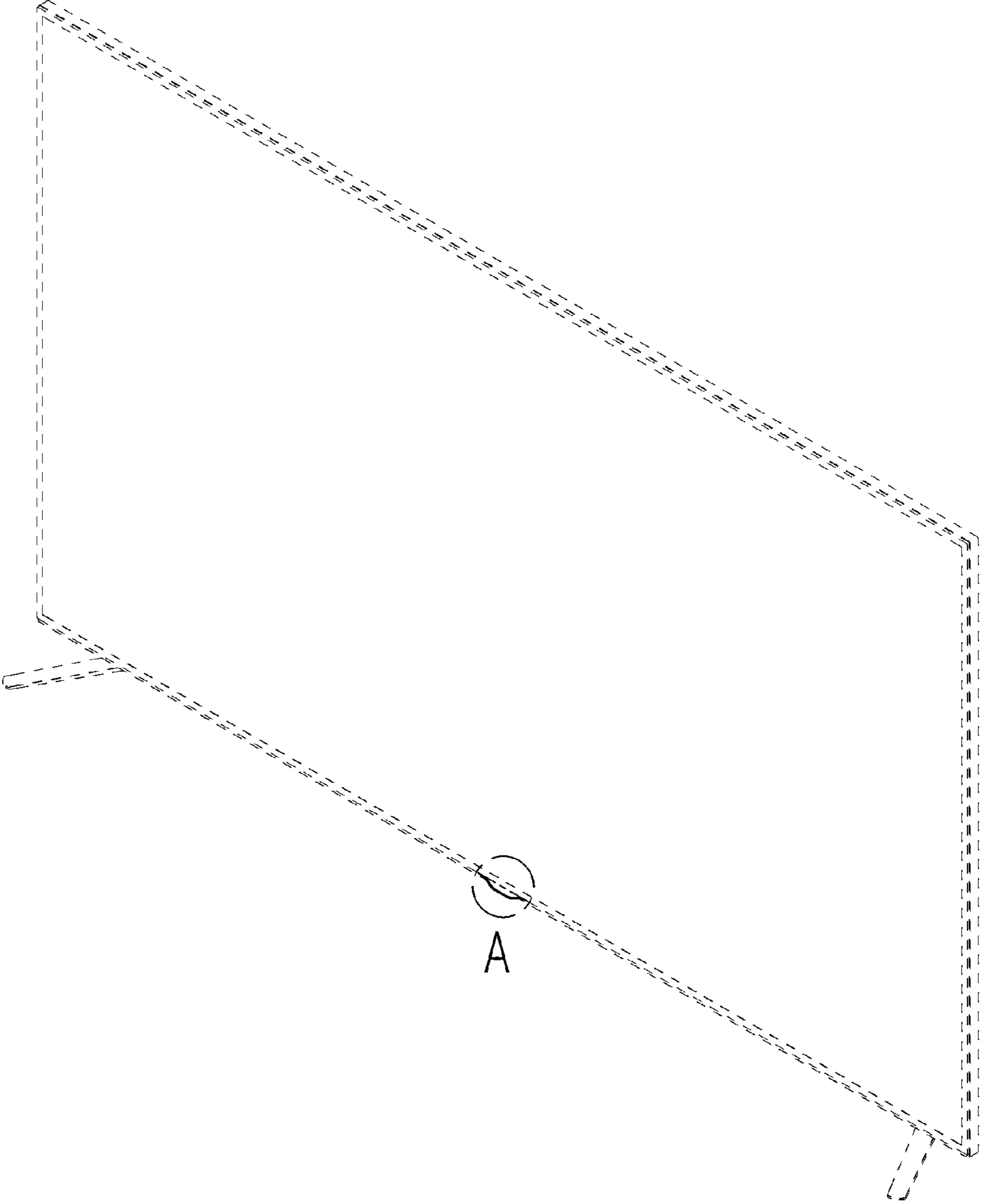


FIG. 2

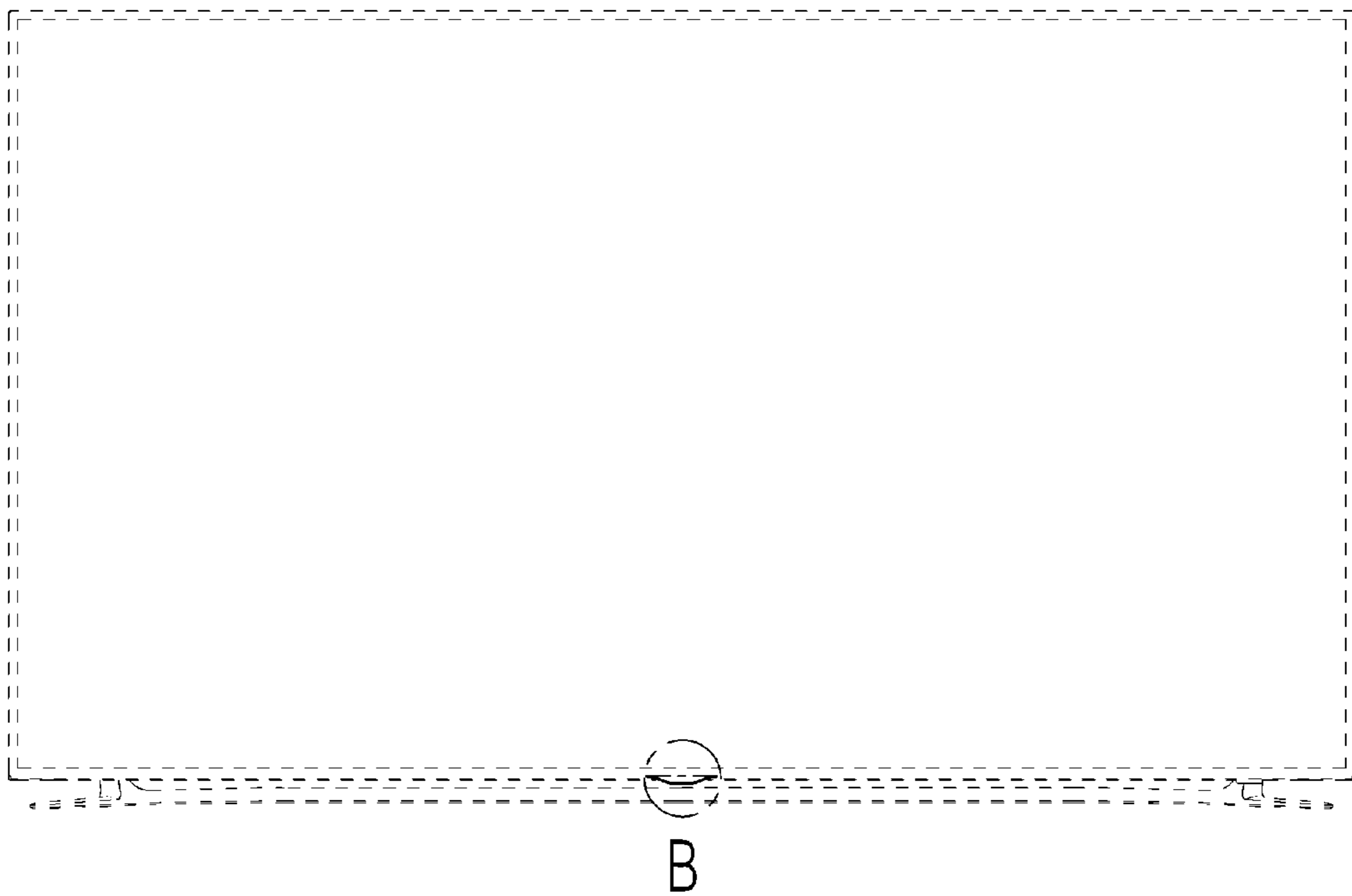


FIG. 3

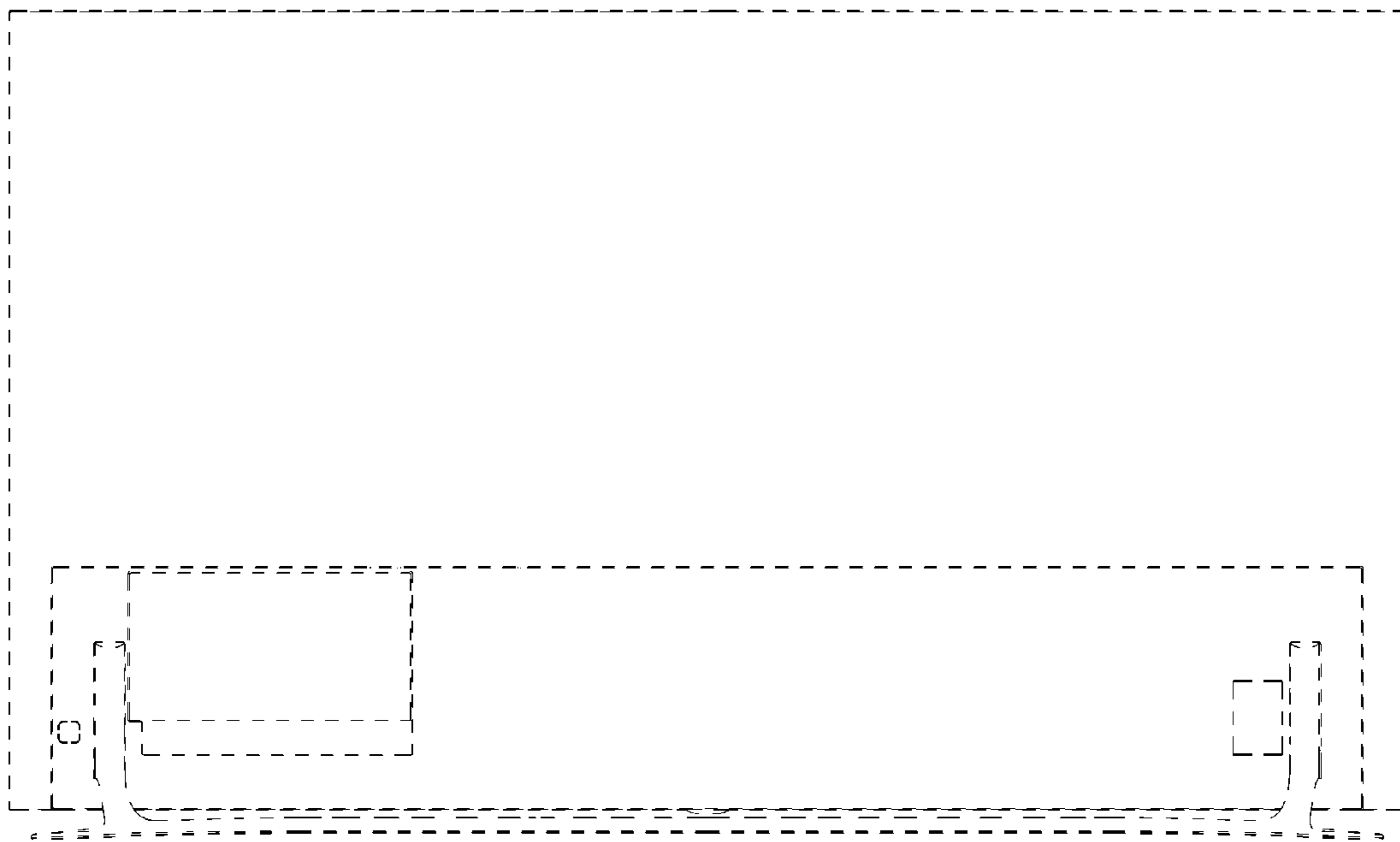


FIG. 4

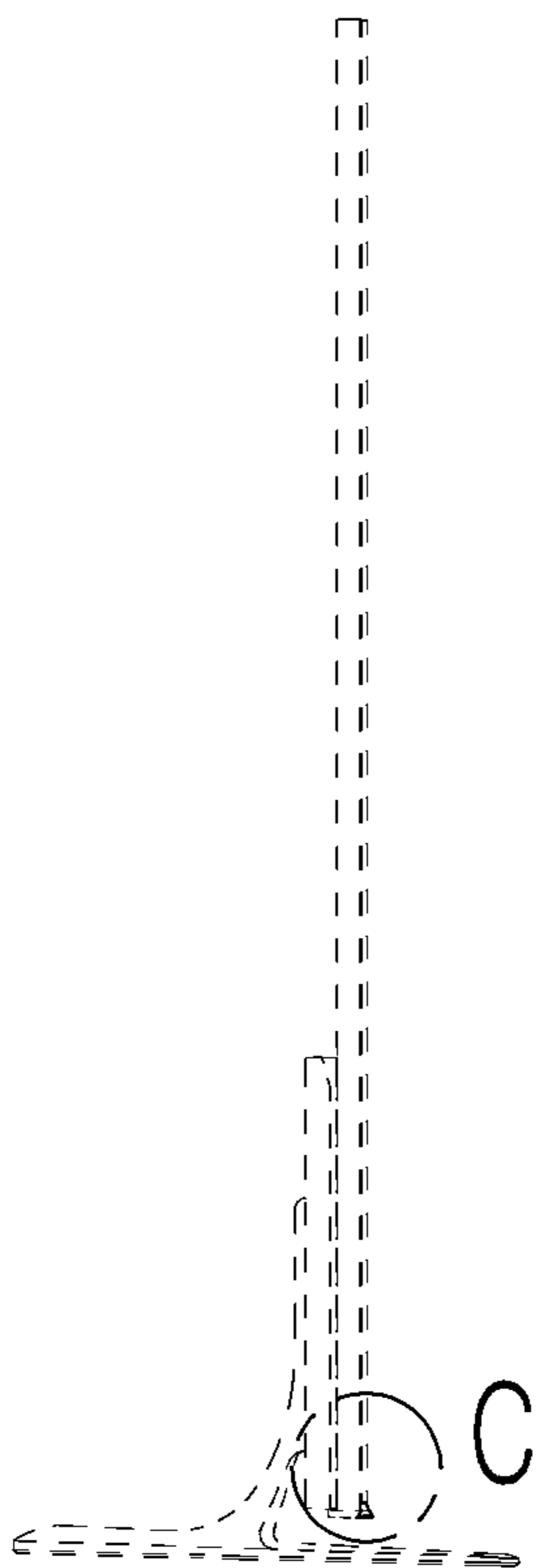


FIG. 5

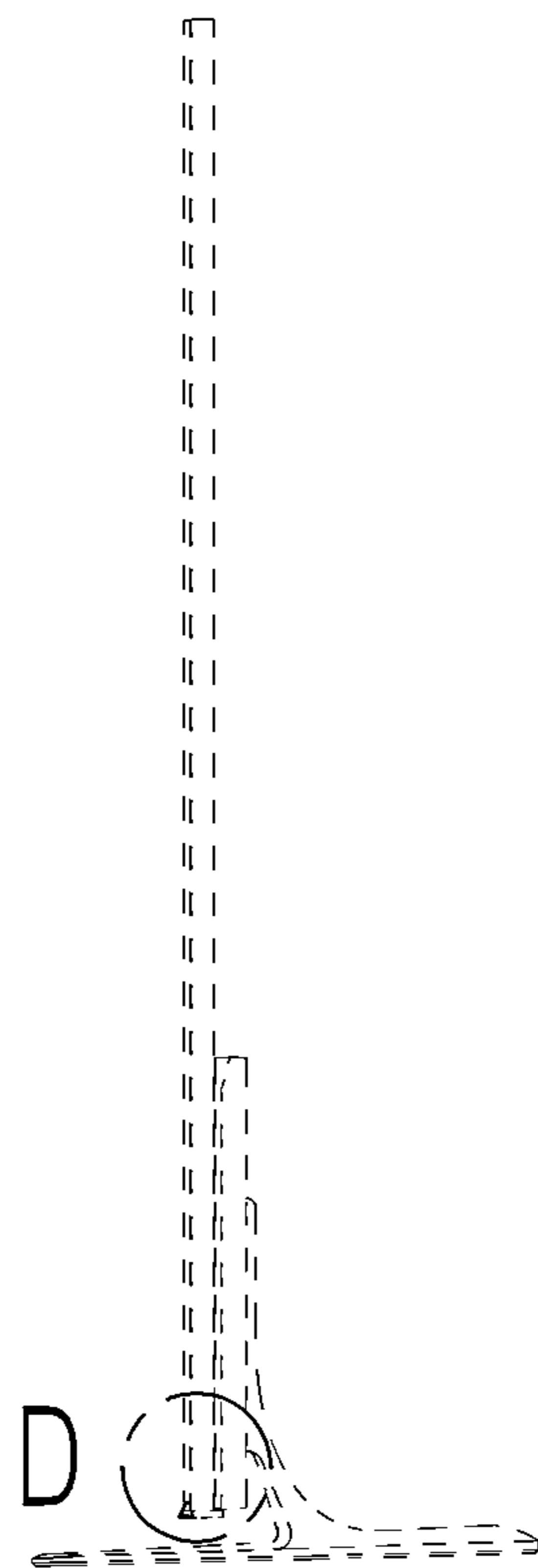


FIG. 6

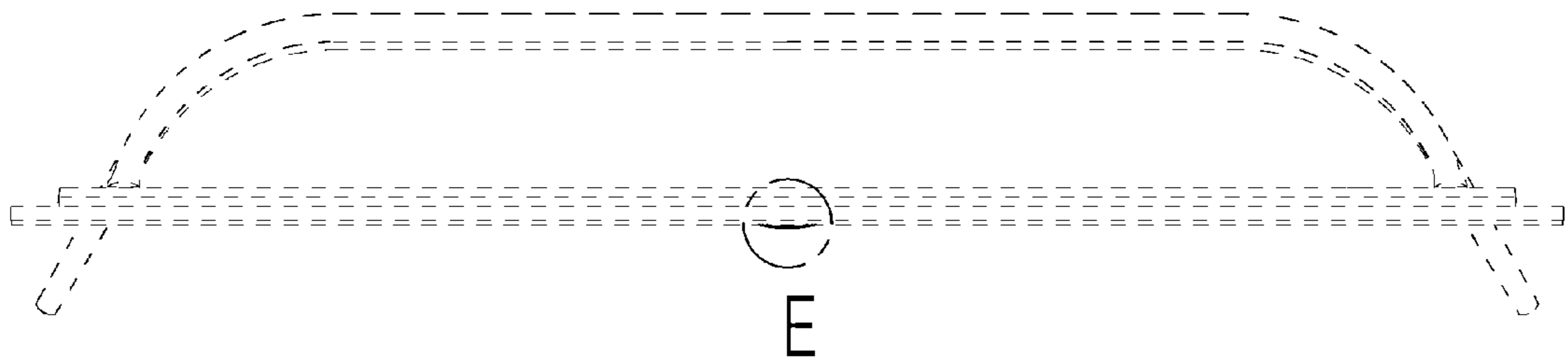


FIG. 7

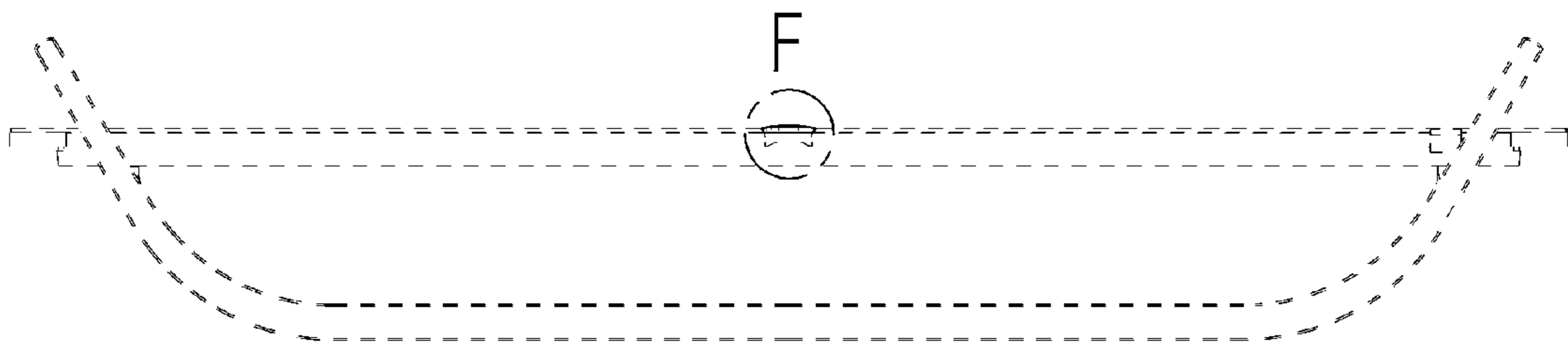


FIG. 8

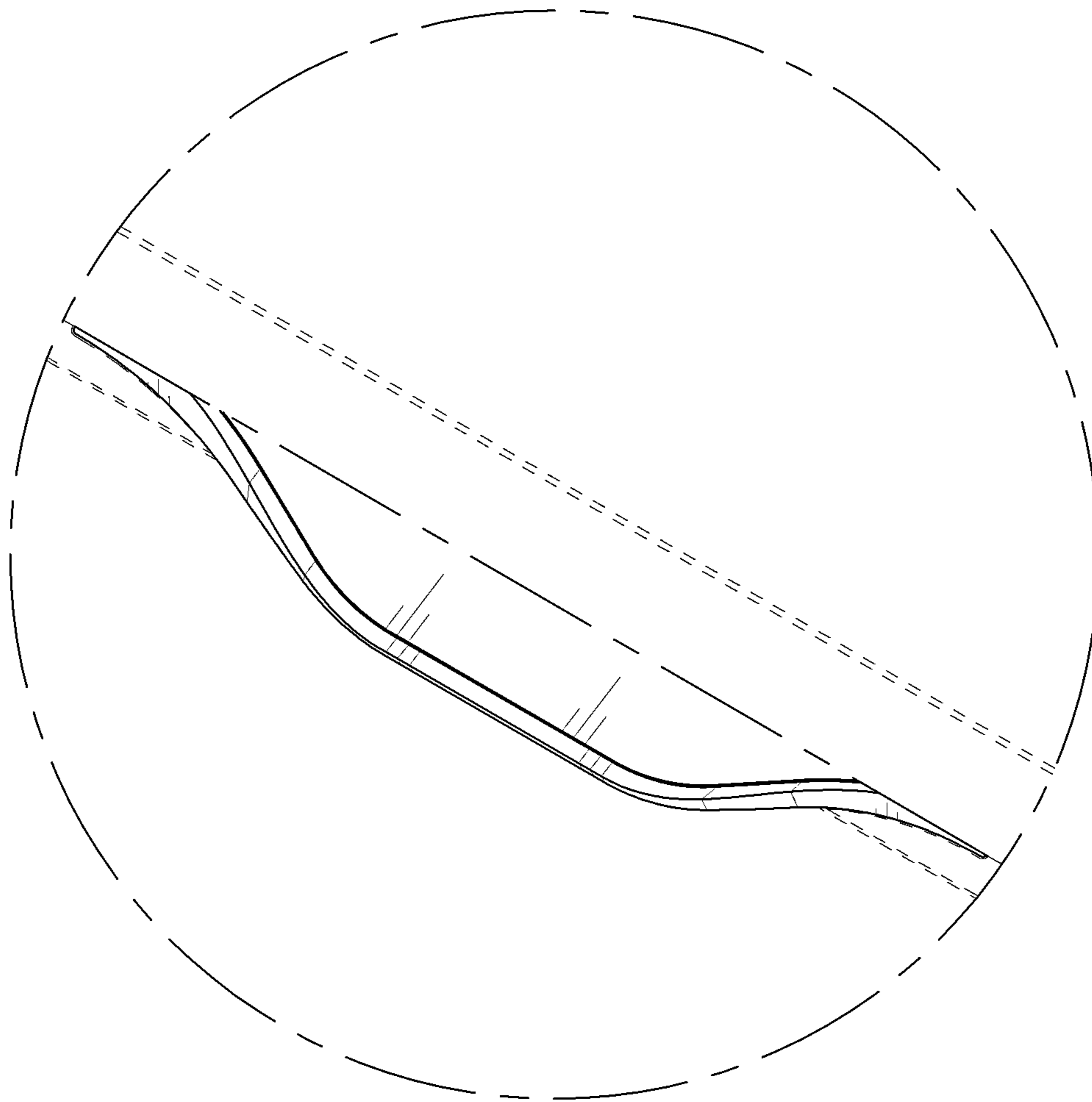


FIG. 9

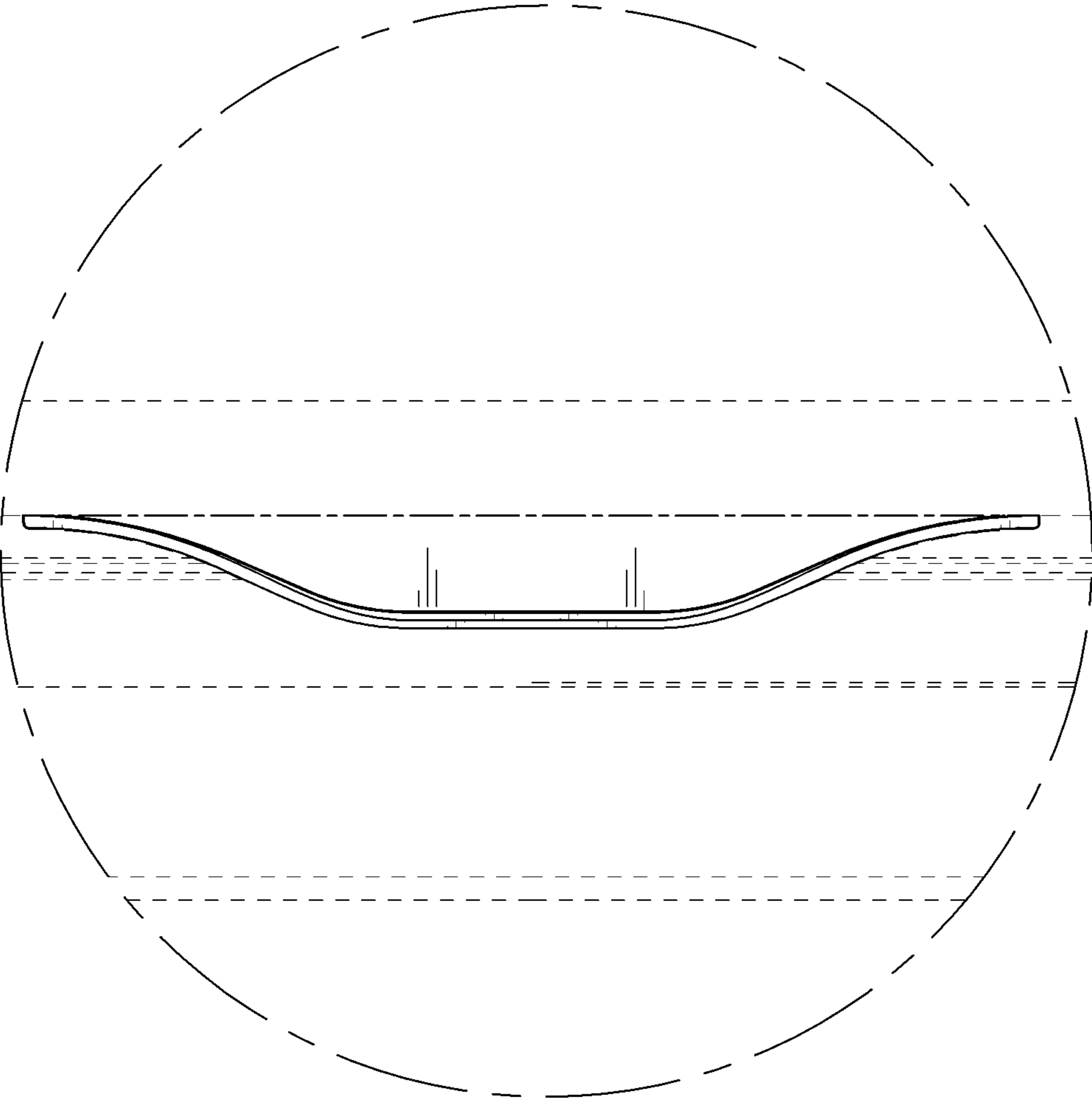




FIG. 10

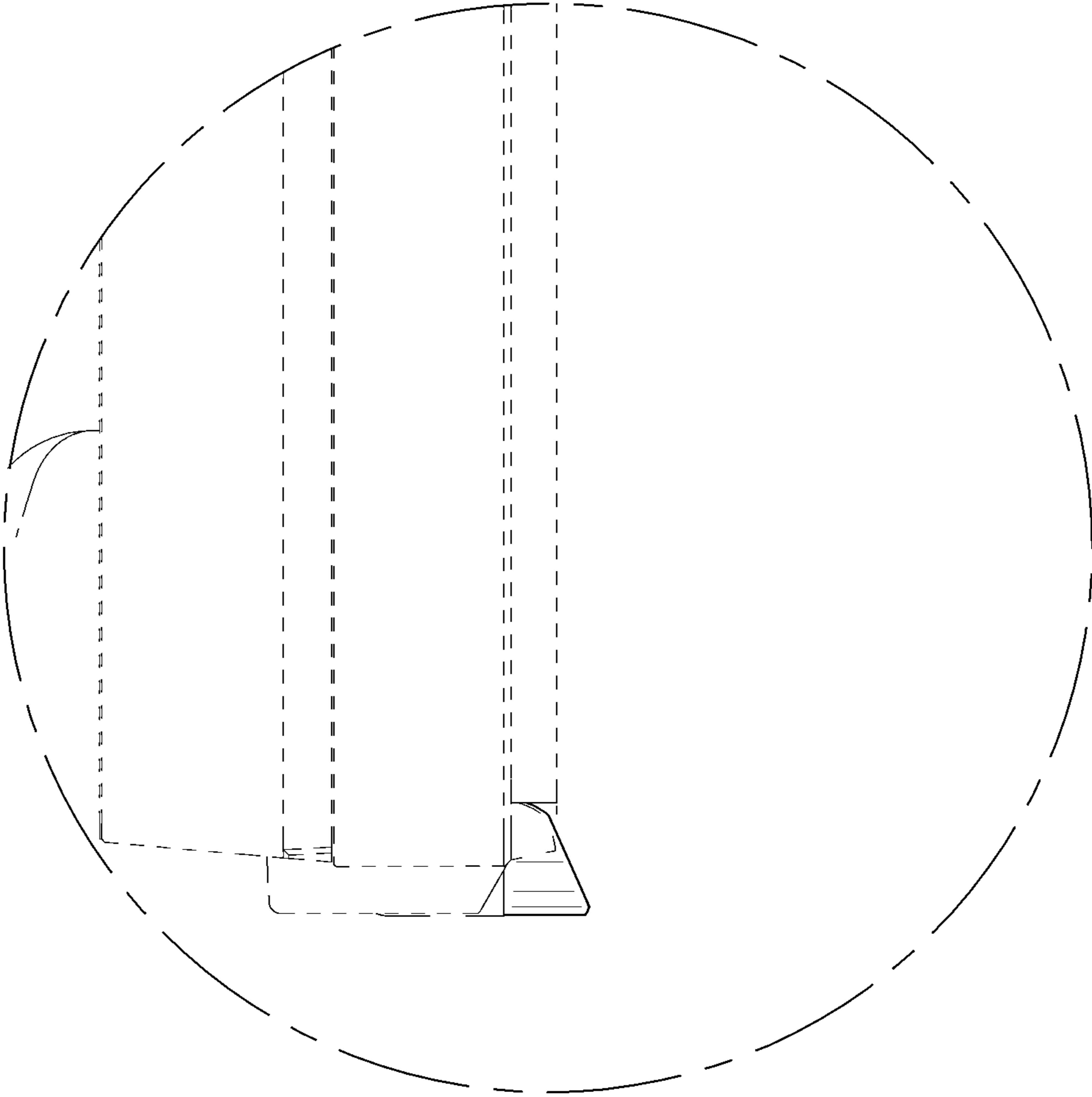


FIG. 11

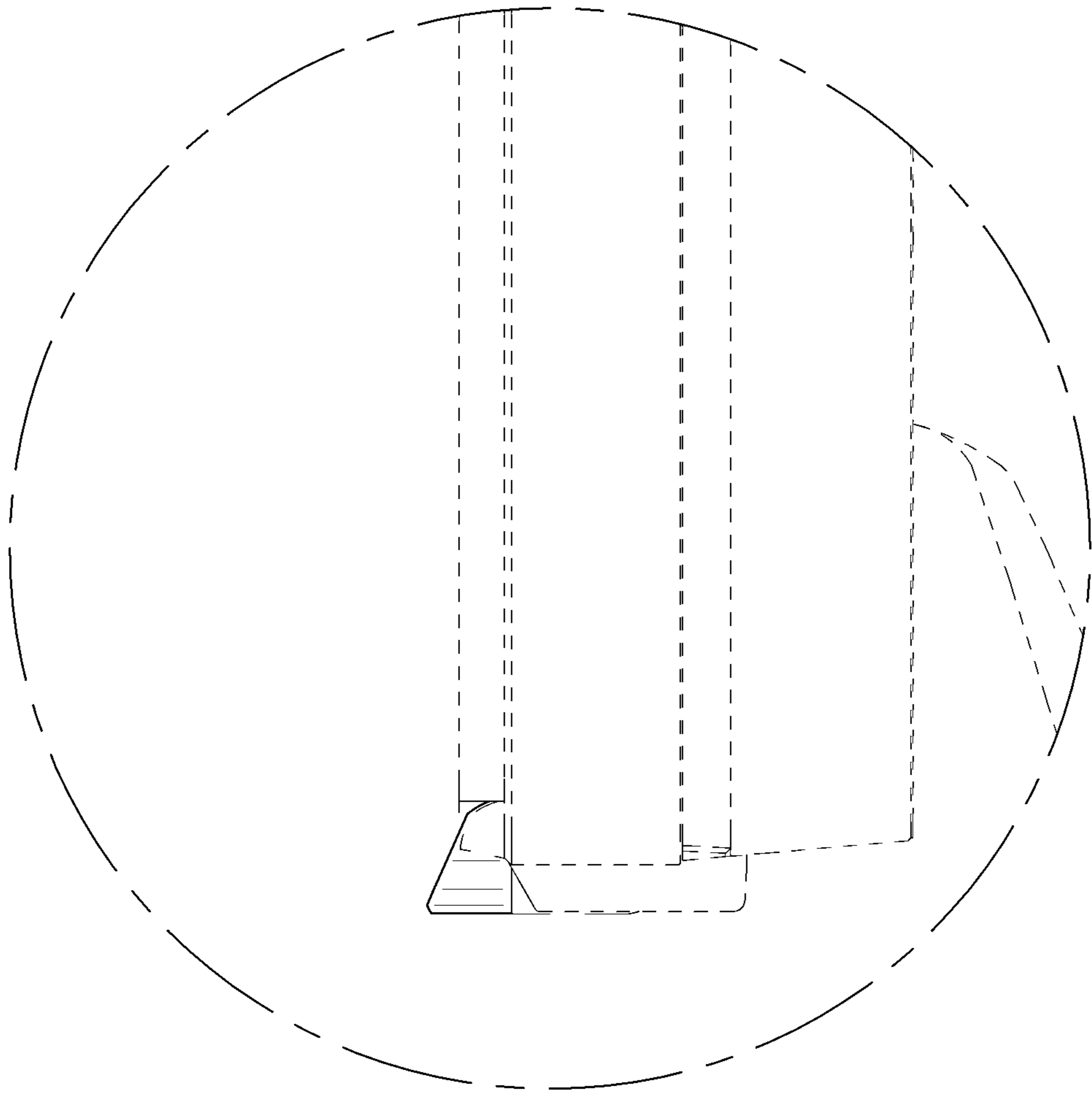


FIG. 12

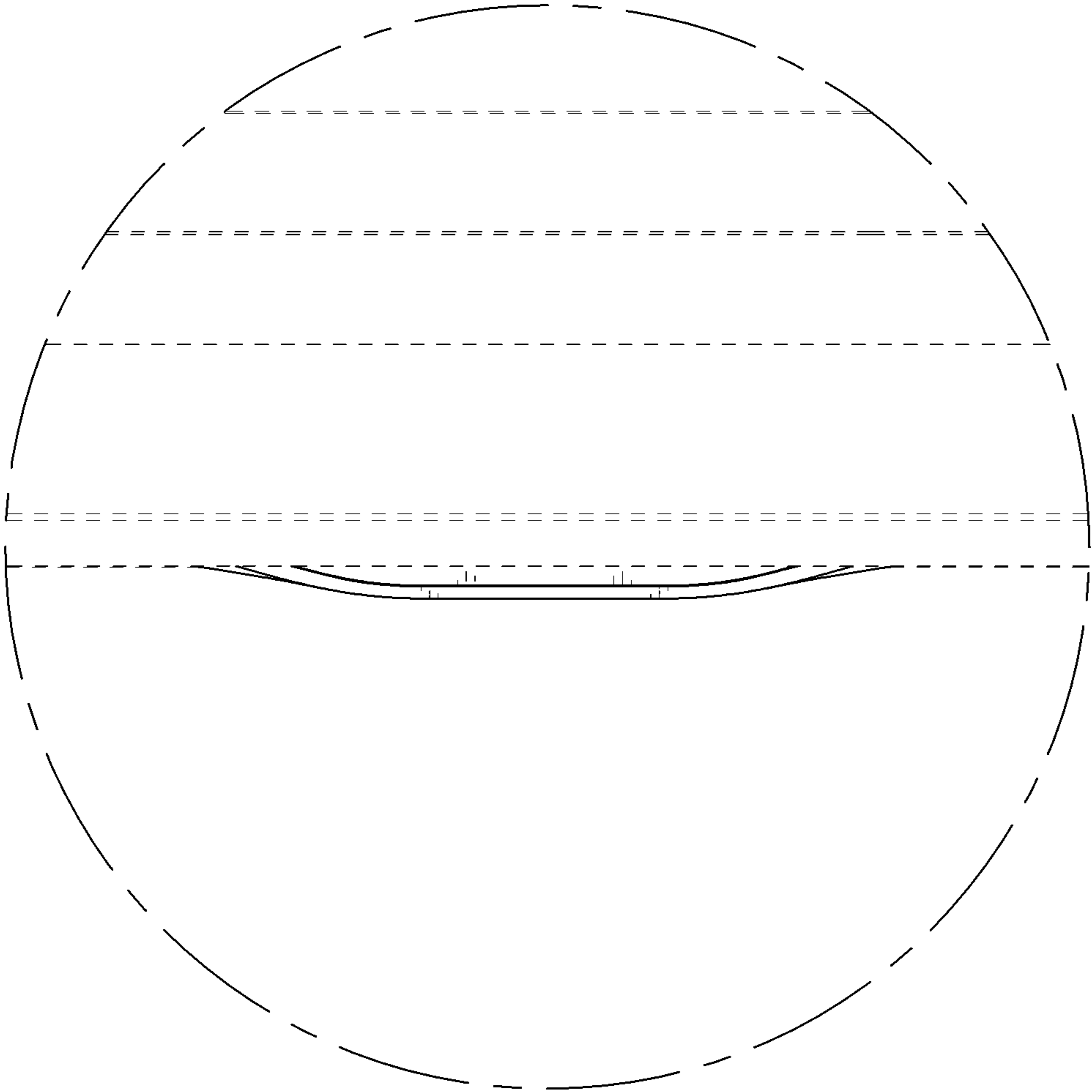


FIG. 13

