



US00D735683S

(12) **United States Design Patent**
Reiherzer et al.

(10) **Patent No.:** **US D735,683 S**

(45) **Date of Patent:** **** Aug. 4, 2015**

(54) **LED PACKAGE**

(71) Applicant: **CREE, INC.**, Durham, NC (US)

(72) Inventors: **Jesse Reiherzer**, Wake Forest, NC (US);
Mike Bergmann, Chapel Hill, NC (US);
Joseph Gates Clark, Raleigh, NC (US)

(73) Assignee: **Cree, Inc.**, Durham, NC (US)

(**) Term: **14 Years**

(21) Appl. No.: **29/453,958**

(22) Filed: **May 3, 2013**

(51) **LOC (10) Cl.** **13-03**

(52) **U.S. Cl.**
USPC **D13/180**

(58) **Field of Classification Search**
USPC D13/180; D26/1; 257/79, 80, 81, 88,
257/89, 95, 98, 99, 100, E33.058; 313/483,
313/498, 500; 362/555, 800
See application file for complete search history.

(56) **References Cited**

U.S. PATENT DOCUMENTS

5,040,868 A 8/1991 Waitl
6,061,160 A 5/2000 Maruyama

(Continued)

FOREIGN PATENT DOCUMENTS

CN 1417868 A 5/2003
CN 1977399 6/2007

(Continued)

OTHER PUBLICATIONS

Reasons for Rejection from Japanese Design Patent Appl. No. 2013-004502, dated Aug. 6, 2013.

(Continued)

Primary Examiner — Selina Sikder

(74) *Attorney, Agent, or Firm* — Koppel, Patrick, Heybl & Philpott

(57) **CLAIM**

The ornamental design for an LED package, as shown and described herein.

DESCRIPTION

FIG. 1 is a top perspective view of an LED package according to one embodiment of the present invention.

FIG. 2 is a front elevation view of one side of the LED package shown in FIG. 1.

FIG. 3 is a back elevation view of the LED package as shown in FIG. 1.

FIG. 4 is an elevation view of one side of the LED package shown in FIG. 1, with the other side being a mirror image thereof.

FIG. 5 is a top view of the LED package shown in FIG. 1.

FIG. 6 is a bottom view of the LED package shown in FIG. 1.

FIG. 7 is a top perspective view of an LED package according to another embodiment of the present invention.

FIG. 8 is a front elevation view of one side of the LED package shown in FIG. 7.

FIG. 9 is a back elevation view of the LED package as shown in FIG. 7.

FIG. 10 is an elevation view of one side of the LED package shown in FIG. 7, with the other side being a mirror image thereof.

FIG. 11 is a top view of the LED package shown in FIG. 7.

FIG. 12 is a bottom view of the LED package shown in FIG. 7.

FIG. 13 is a top perspective view of an LED package according to another embodiment of the present invention.

FIG. 14 is a front elevation view of one side of the LED package shown in FIG. 13.

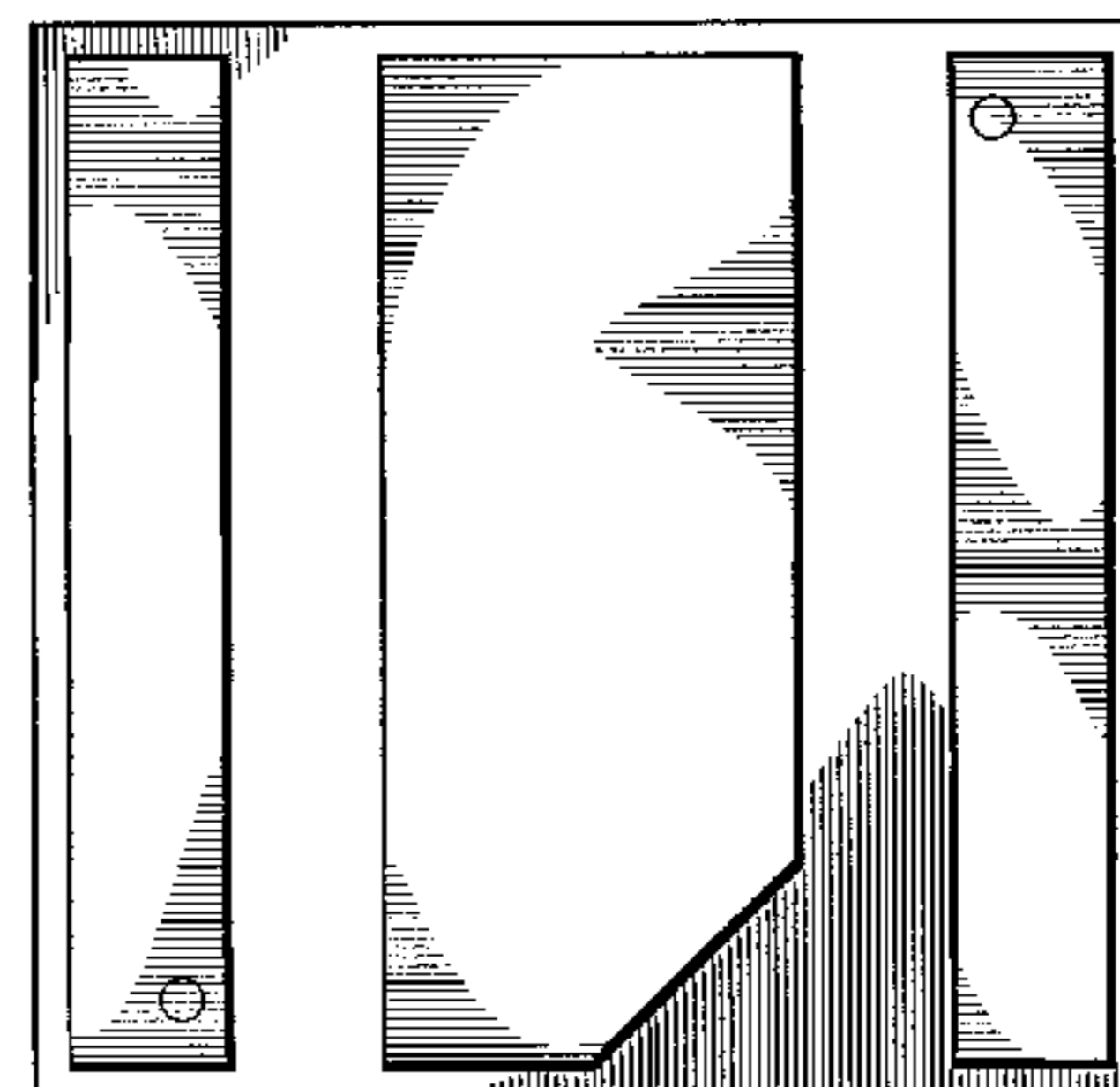
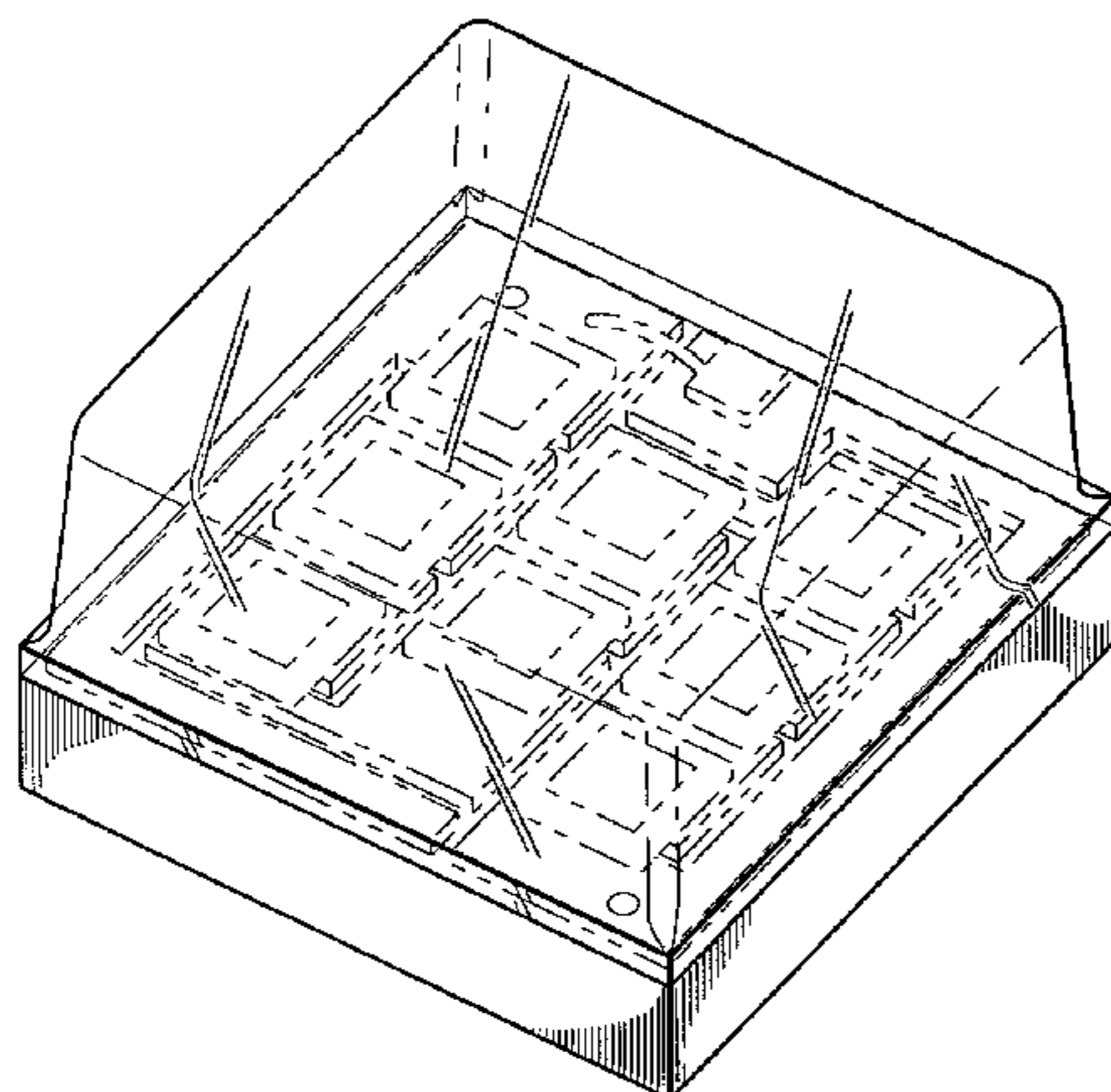
FIG. 15 is a back elevation view of the LED package as shown in FIG. 13.

FIG. 16 is an elevation view of one side of the LED package shown in FIG. 13, with the other side being a mirror image thereof.

FIG. 17 is a top view of the LED package shown in FIG. 13; and,

FIG. 18 is a bottom view of the LED package shown in FIG. 13.

1 Claim, 6 Drawing Sheets



(56)

References Cited

U.S. PATENT DOCUMENTS

6,376,902	B1	4/2002	Arndt	
6,707,069	B2	3/2004	Song et al.	
6,759,733	B2	7/2004	Arndt	
6,900,511	B2	5/2005	Ruhnau et al.	
6,940,704	B2	9/2005	Stalions	
7,066,626	B2	6/2006	Omata	
7,102,215	B2	9/2006	Arndt	
7,183,632	B2	2/2007	Arndt	
7,224,000	B2	5/2007	Aanegola et al.	
7,271,425	B2	9/2007	Arndt et al.	
7,282,785	B2	10/2007	Yoshida	
7,317,181	B2	1/2008	Murakami et al.	
D572,210	S	7/2008	Lee	
D576,574	S	9/2008	Kobayakawa	
D591,697	S	5/2009	Andrews et al.	
D615,504	S *	5/2010	Keller et al.	D13/180
D631,020	S	1/2011	Chuang et al.	
D633,631	S	3/2011	Shieh et al.	
D634,863	S	3/2011	Leung et al.	
D645,416	S *	9/2011	Kuwaharada et al.	D13/180
D649,943	S *	12/2011	Kuwaharada et al.	D13/180
D650,343	S *	12/2011	Andrews et al.	D13/180
D656,906	S	4/2012	Leung et al.	
D660,257	S *	5/2012	Andrews et al.	D13/180
D662,902	S	7/2012	Shieh et al.	
D667,802	S *	9/2012	Otaki et al.	D13/180
D674,758	S *	1/2013	Wu et al.	D13/180
D675,169	S *	1/2013	Chou	D13/180
D691,973	S *	10/2013	Donofrio et al.	D13/180
D698,323	S *	1/2014	Noichi	D13/180
8,624,289	B2 *	1/2014	Wirth	257/100
D698,741	S *	2/2014	Kobayashi et al.	D13/180
D703,348	S *	4/2014	Reiherzer et al.	D26/2
D704,154	S *	5/2014	Andrews et al.	D13/180
D709,464	S *	7/2014	Abare et al.	D13/180
8,779,567	B2 *	7/2014	Noichi et al.	257/668
D711,840	S *	8/2014	Lowes et al.	D13/180
D718,725	S *	12/2014	Reiherzer et al.	D13/180
2002/0123163	A1	9/2002	Fujii	
2002/0163001	A1	11/2002	Shaddock et al.	
2004/0041222	A1	3/2004	Loh	
2004/0079957	A1	4/2004	Andrews et al.	
2004/0126913	A1	7/2004	Loh	
2004/0227149	A1 *	11/2004	Ibbetson et al.	257/100
2004/0238930	A1	12/2004	Arndt	
2006/0049477	A1	3/2006	Arndt et al.	
2006/0102917	A1	5/2006	Oyama et al.	
2007/0252250	A1	11/2007	Hui et al.	
2009/0020778	A1 *	1/2009	Noichi	257/99
2009/0108281	A1	4/2009	Keller et al.	
2009/0283781	A1	11/2009	Chan et al.	
2011/0291154	A1 *	12/2011	Noichi et al.	257/99
2012/0032202	A1 *	2/2012	Ogata et al.	257/88
2013/0328073	A1 *	12/2013	Lowes et al.	257/89
2013/0328074	A1 *	12/2013	Lowes et al.	257/89

FOREIGN PATENT DOCUMENTS

EP	1187227	3/2002
EP	1953834 A1	8/2008
JP	2000188358	7/2000
JP	2003197974	7/2003
JP	2000223752	3/2006
JP	2007287981	11/2007

JP	2007299905	11/2007
KR	3003875582	9/2005
KR	300756220	10/2014
TW	D112798	5/1989
TW	D158571	1/2004
TW	D158573	1/2004
TW	D1110647	10/2004
TW	D123860	8/2008
TW	D128141	4/2009
WO	WO 2004053933	6/2004

OTHER PUBLICATIONS

Examination Report from Taiwanese Patent Appl. No. 102301478, dated Sep. 6, 2013.

Letter of Examination Report from Taiwanese Patent appl. No. 101307391, dated Jun. 5, 2013.

Cree® XLamp® MC-E LEDs Product Info Sheets, 14 pages.

Nichia Corporation LEDs, Models NSSM016G, NSSM227, NESM026X, NSSM026BB, NESM005A. 9 pages.

Notice of Allowance from Chinese Patent Appl. No. 201330524820.7, Dated Aug. 5, 2014.

First Office Action from Chinese Design Patent appl. No. 201330524820.7, dated Feb. 20, 2014.

Office Action from U.S. Appl. No. 29/424.353. dated Dec. 26, 2013.

Examination Report from Taiwanese Patent appl. No 102308472, dated May 14, 2014.

Notice of Issuance of Chinese Patent Appl. No. 201430021459.0, dated May 21, 2014.

Decision of Registration from Japanese Design Patent Application No. 2013-025955, dated Jun. 24, 2014.

Decision of Registration from Japanese Design Patent Application No 2013-004502, dated Jun. 24, 2014.

Office Action from Korean Patent Design Appl. No. 30-2013-0010610, dated Jul. 8, 2014.

Examination and Search Report from Taiwanese Patent Appl. No. 103300731, dated Jul. 21, 2014.

Notice of Allowance from Korean Patent Appl. No. 30-2013-0010610, dated Oct. 17, 2014.

Design of Registration Notice from Japanese Patent Appl. No. 2012-030304, dated Jan. 21, 2014.

First Office Action from Chinese Patent Appl. No. 201330052393.7, dated Jan. 9, 2014.

Notice to Submit a Response from Korean Patent Appl. No. 30-2012-0059744, dated Nov. 26, 2013.

Notice to Submit a Response from Korean Design Appl. No. 30-2012-0059744 dated Apr. 28, 2014.

Notice of Allowance and Search Report for Taiwanese Patent Appl. No 101307391, dated Oct. 15, 2013.

Notice of Allowance of Taiwanese Appl No. 103300731, dated Jan. 21, 2015.

Notice to Submit a Response from Korean Design Appl. No. 30-2014-0016126, dated Nov. 7, 2014.

Patent Certificate from Chinese Design Patent Appl No. ZL 2013 3 0524820.7, dated Nov. 4, 2013.

Office Action from Korean Patent Appl. No. 30-2014-0006603, dated Nov. 12, 2014.

Office Action from Korean Patent Appl. No. 30-2014-0016126, dated Feb. 23, 2015.

Notice of Allowance from Korean Patent Appl. No. 30-2014-0006603, dated Apr. 2, 2015.

Patent Issue Notice from Taiwanese Design Patent No. D-166931. dated Apr. 1, 2015.

* cited by examiner

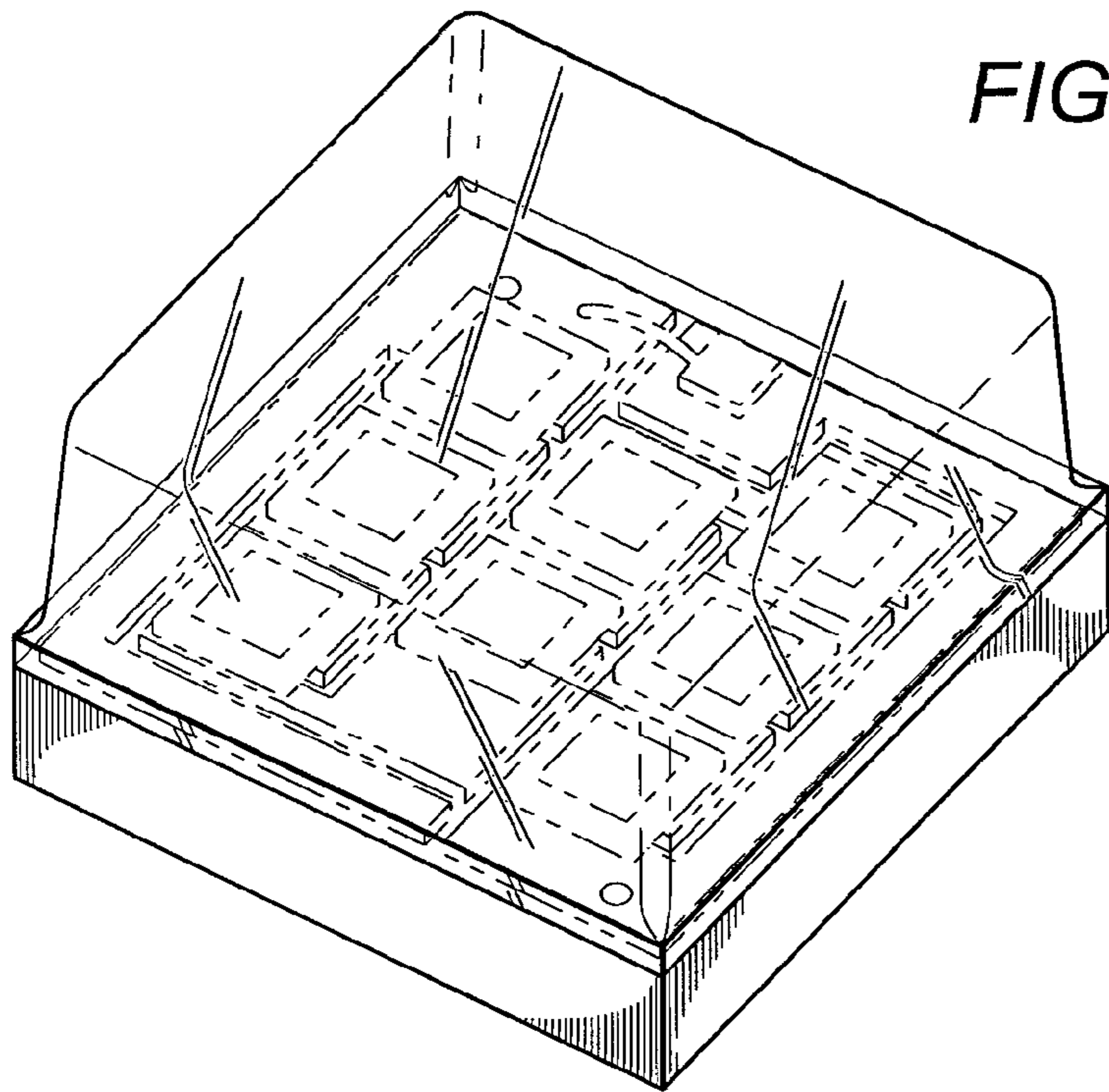


FIG. 1

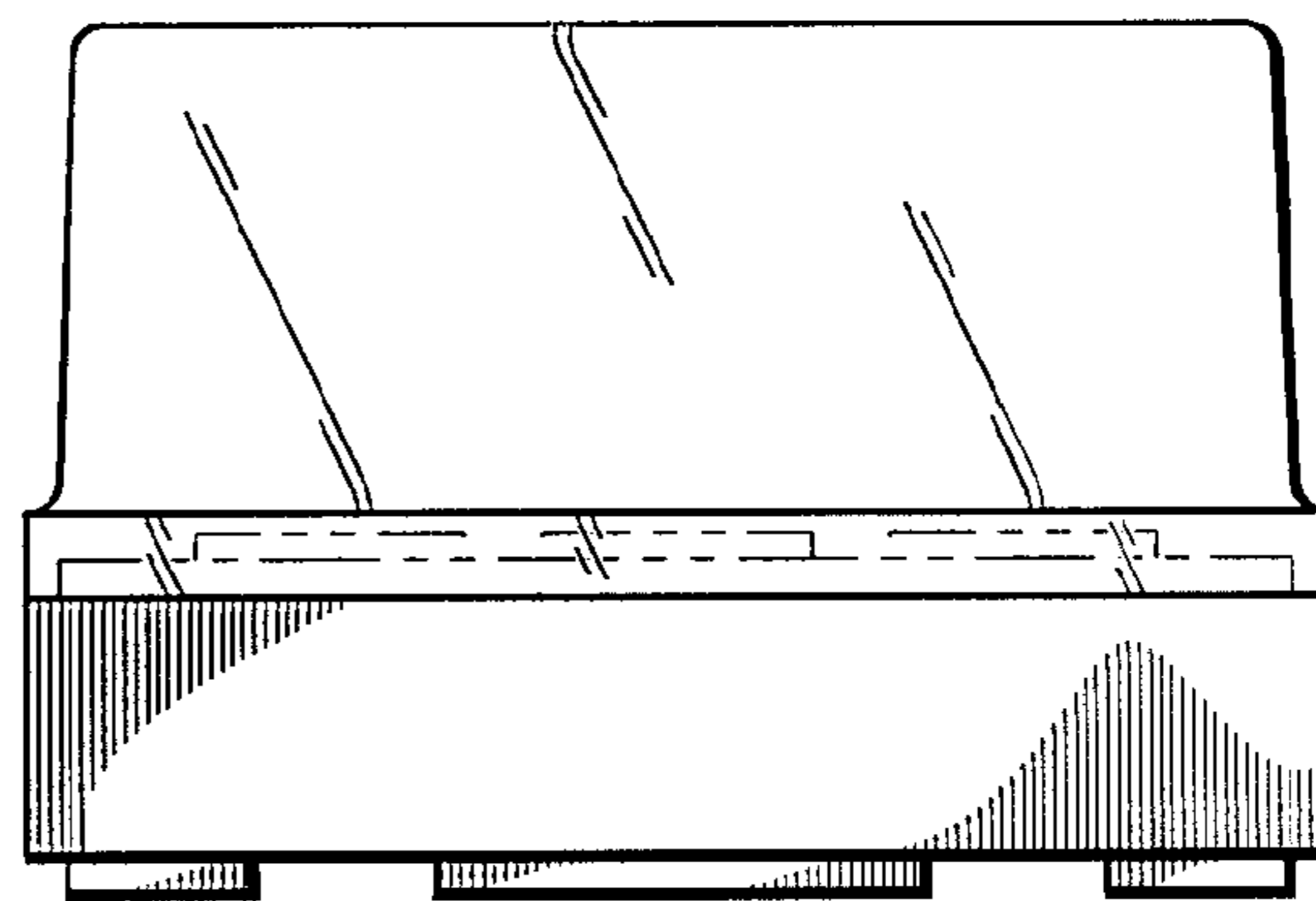


FIG. 2

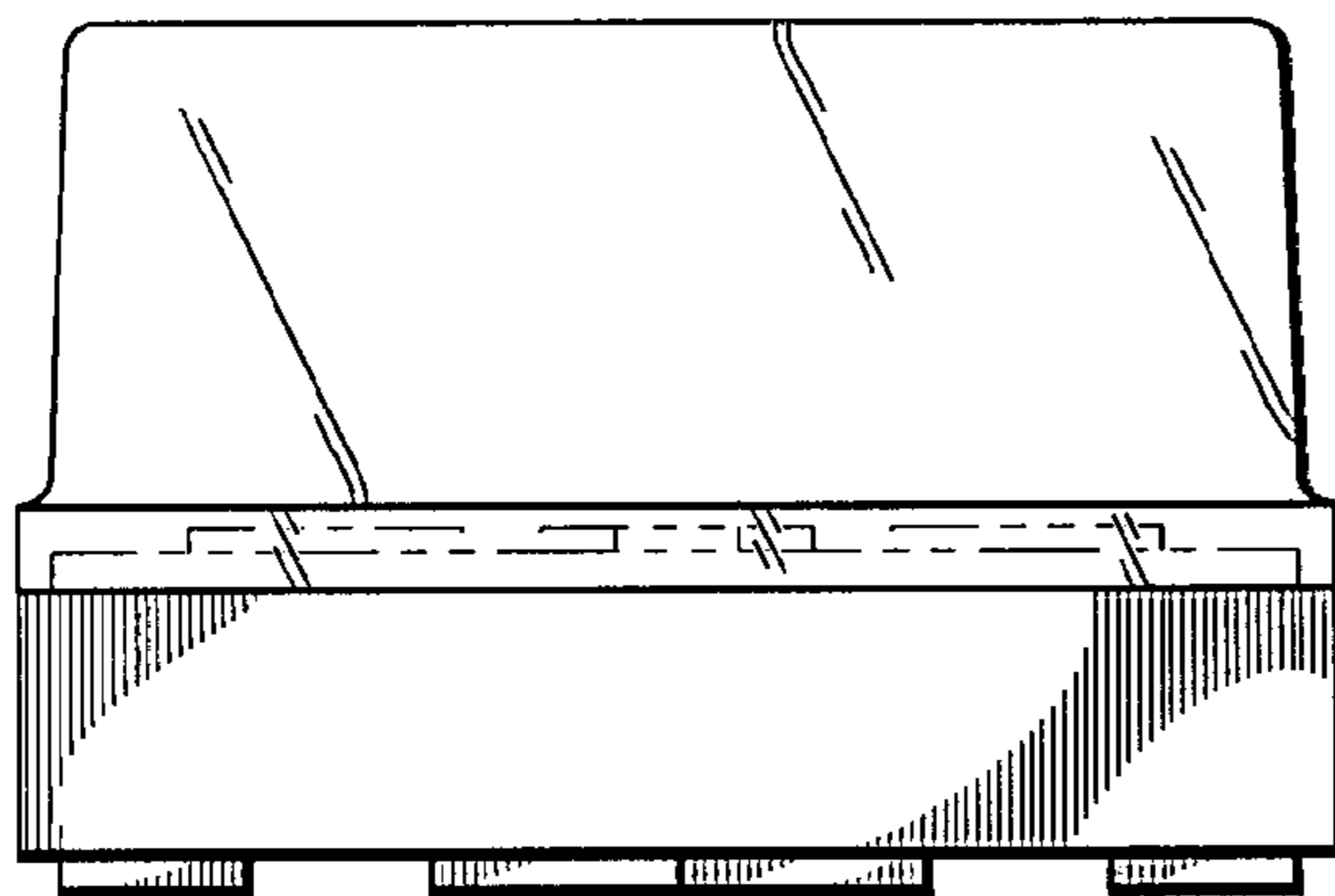


FIG. 3

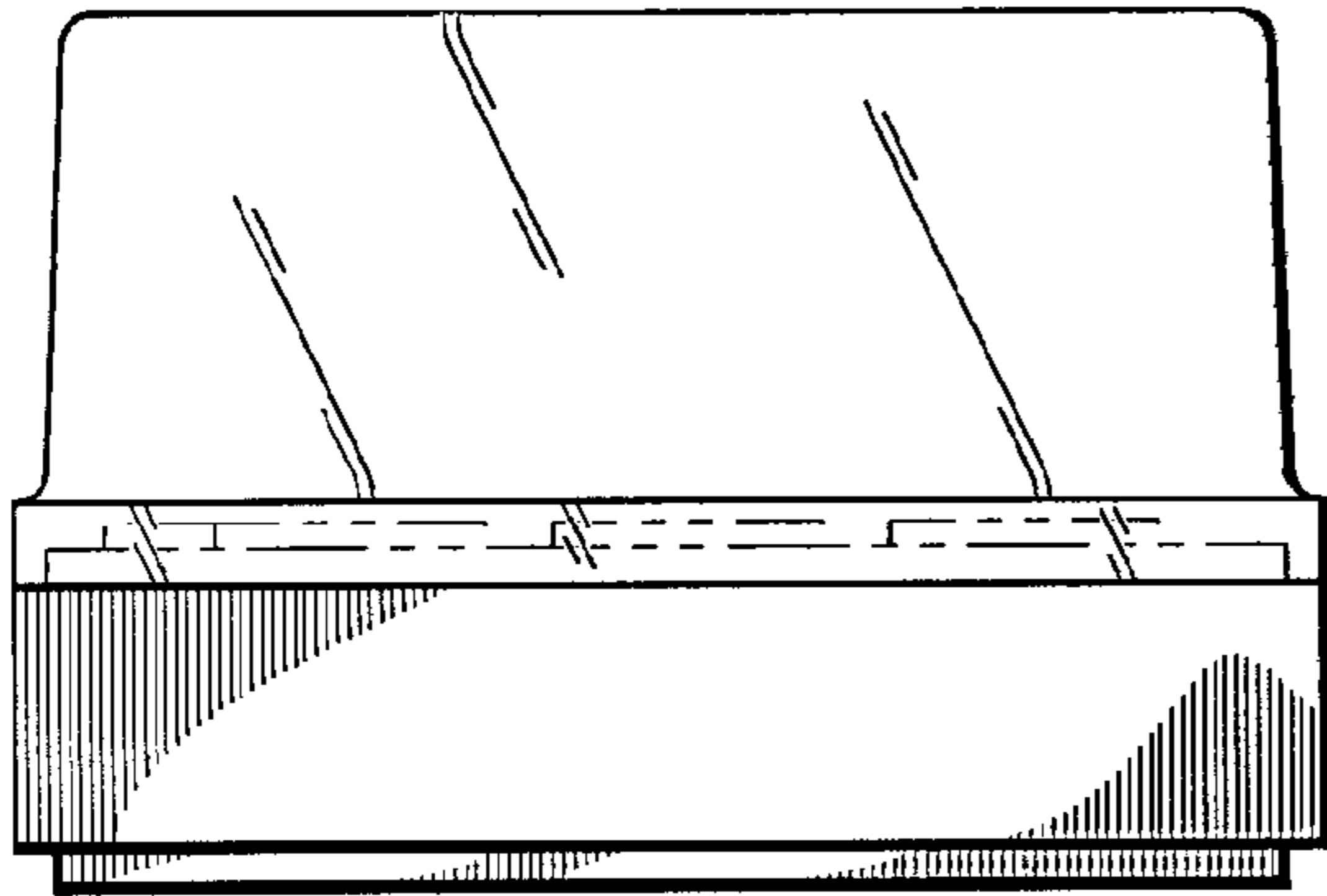


FIG. 4

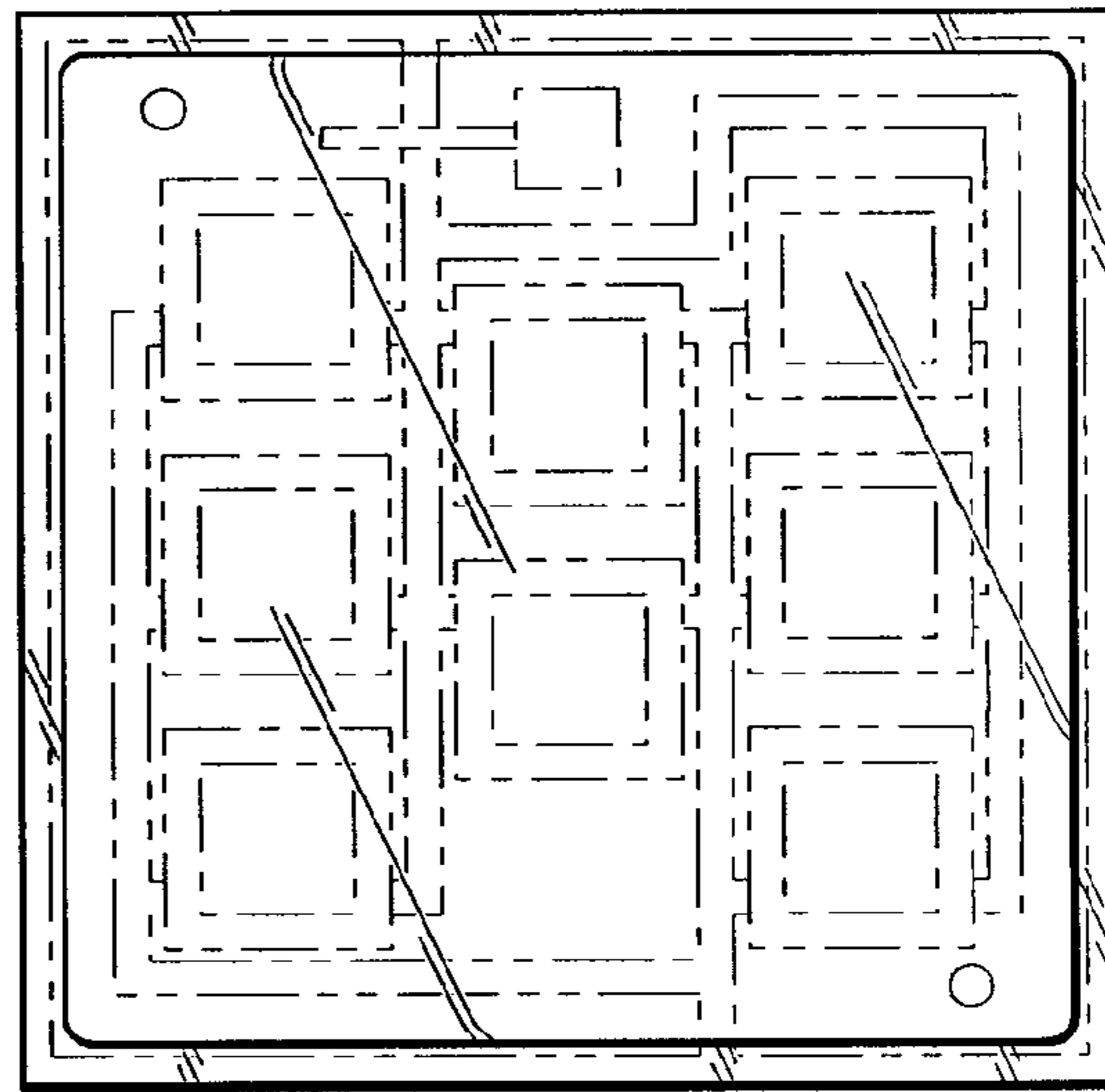
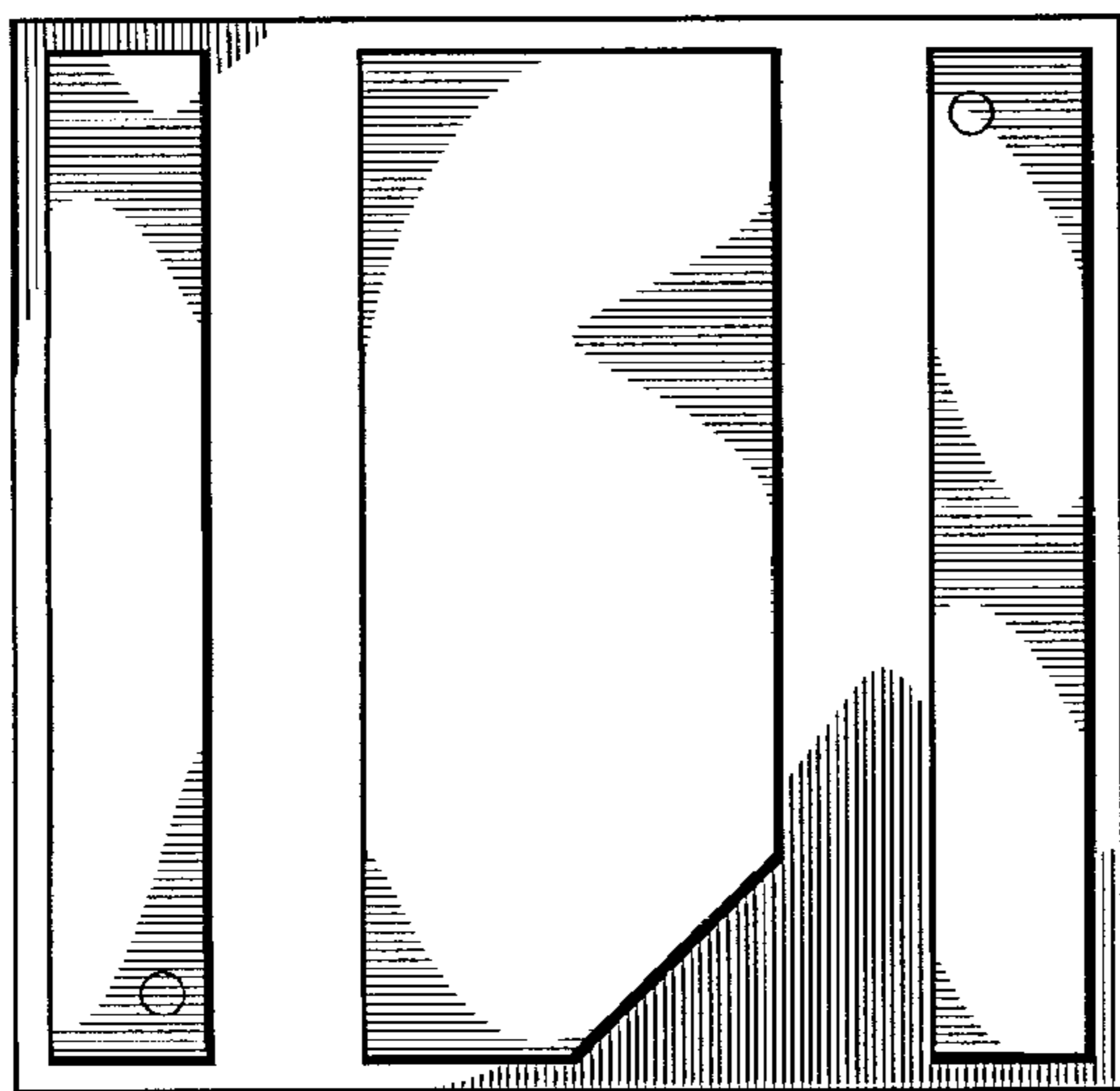


FIG. 5

FIG. 6



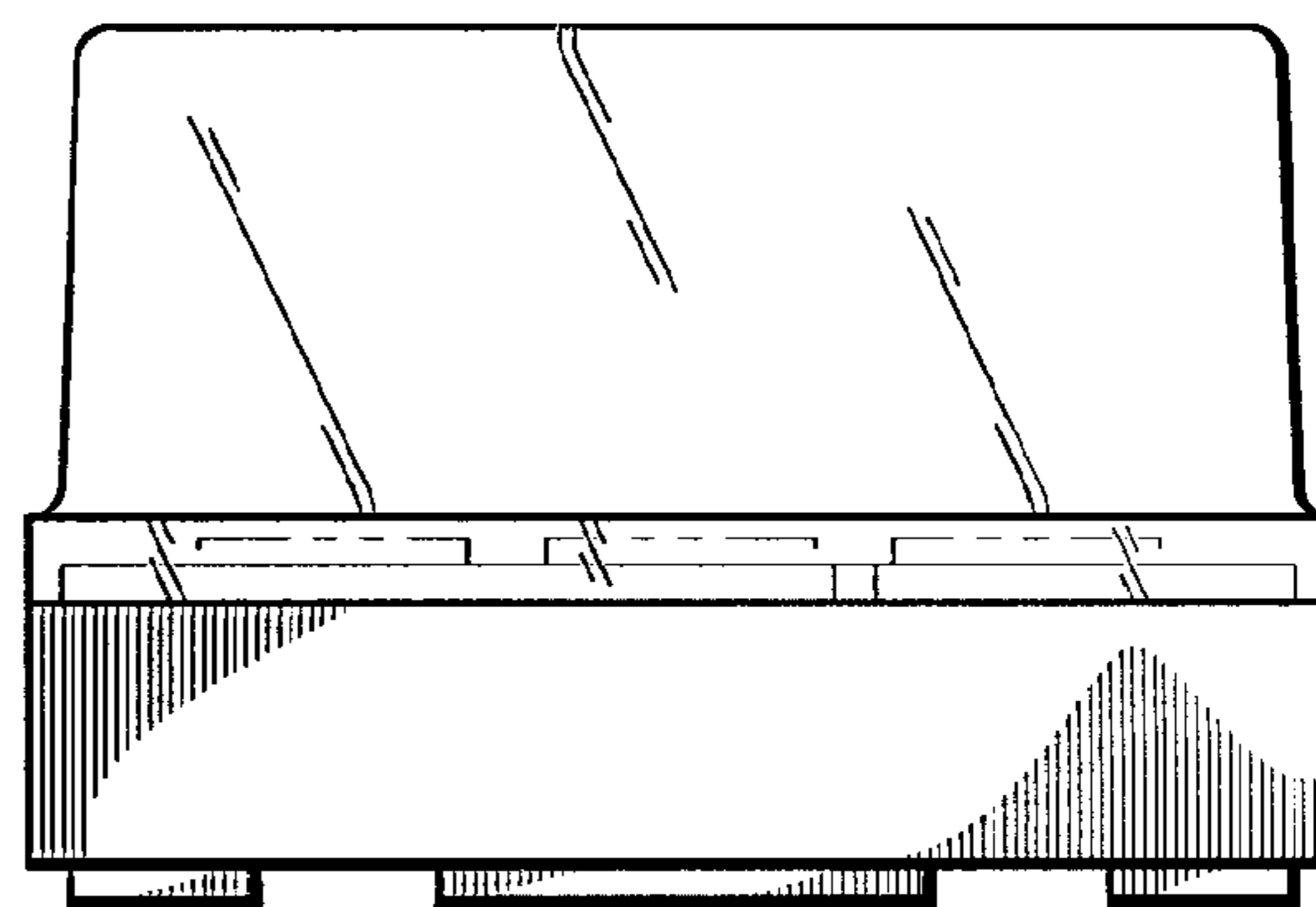
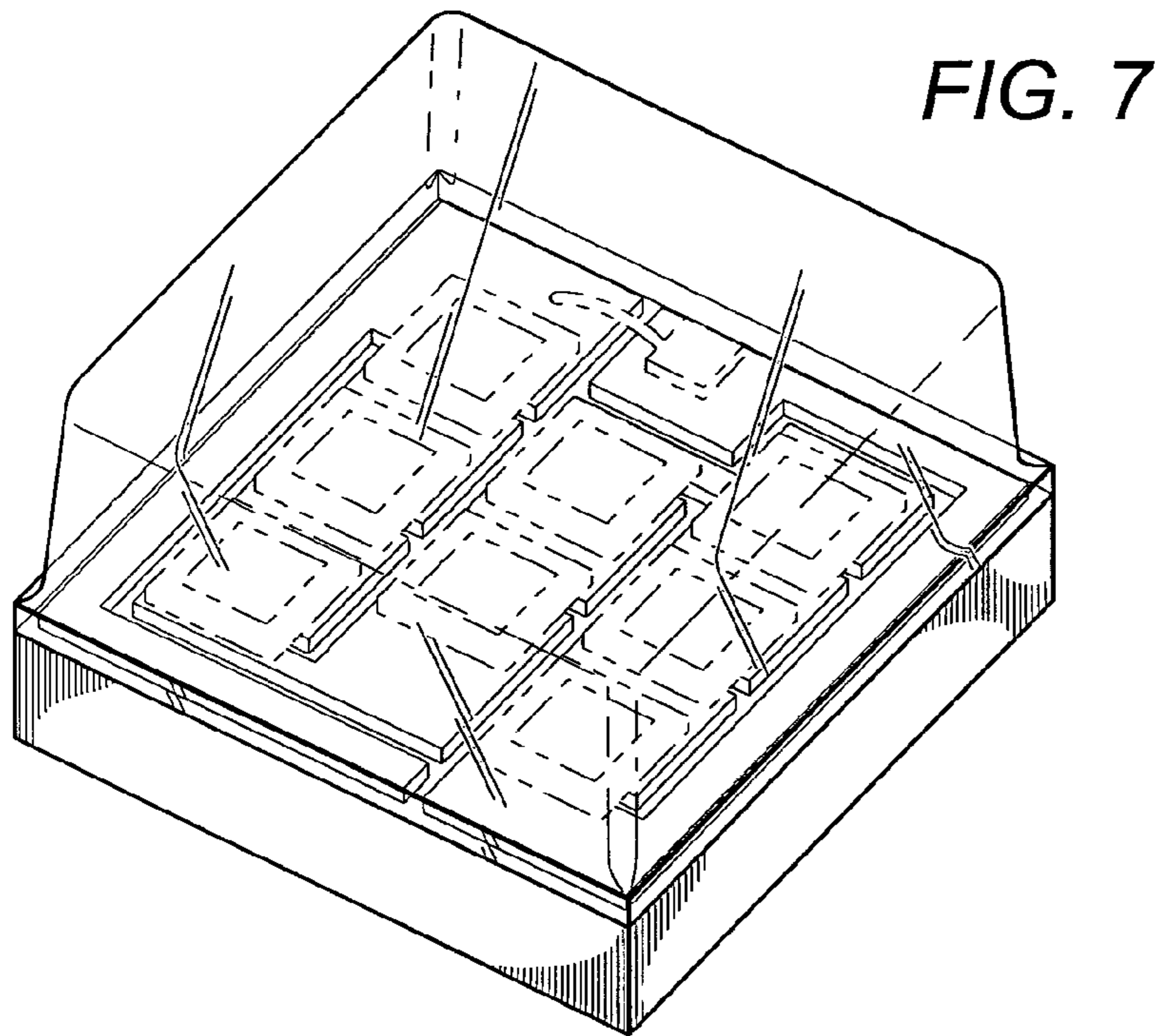


FIG. 8

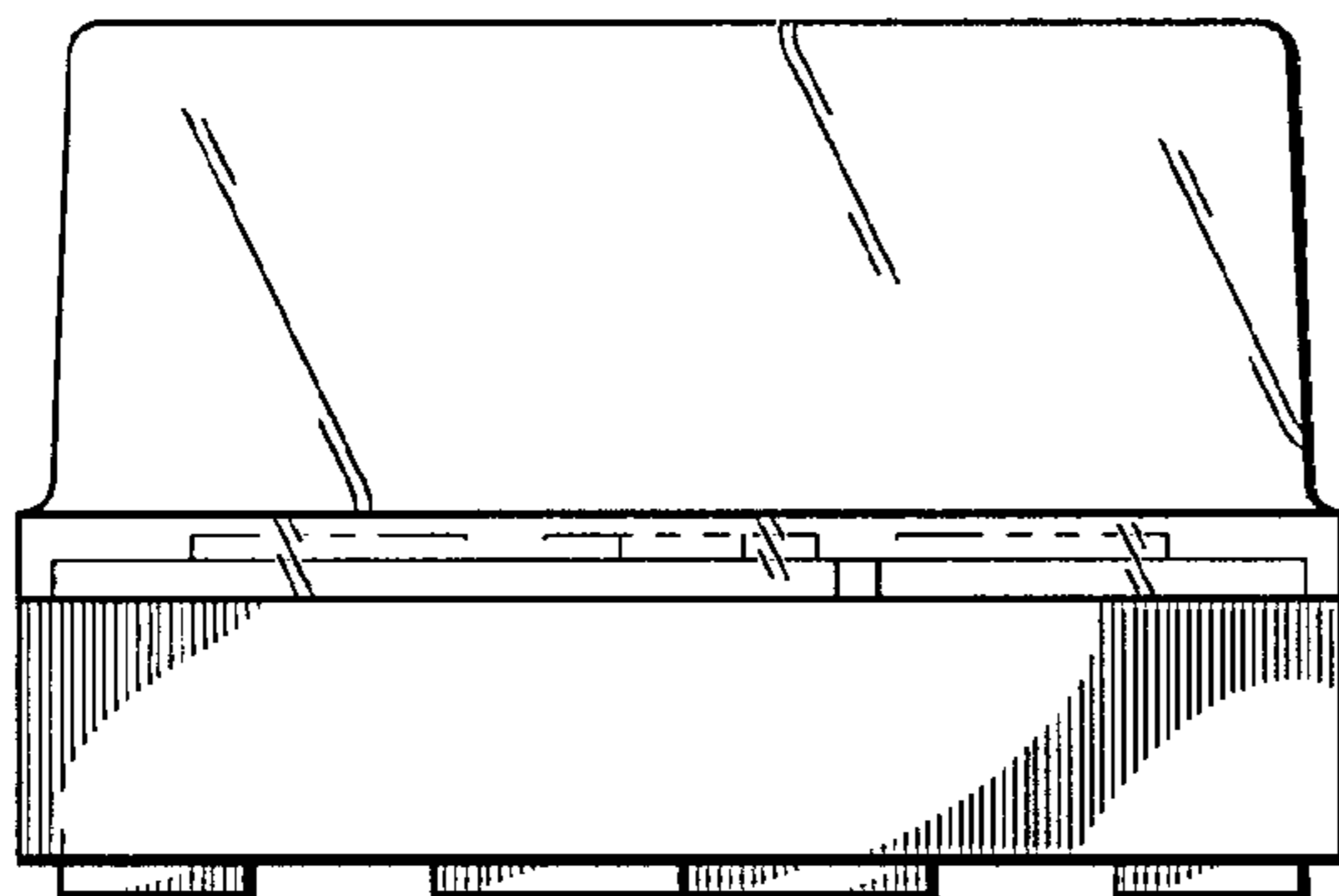


FIG. 9

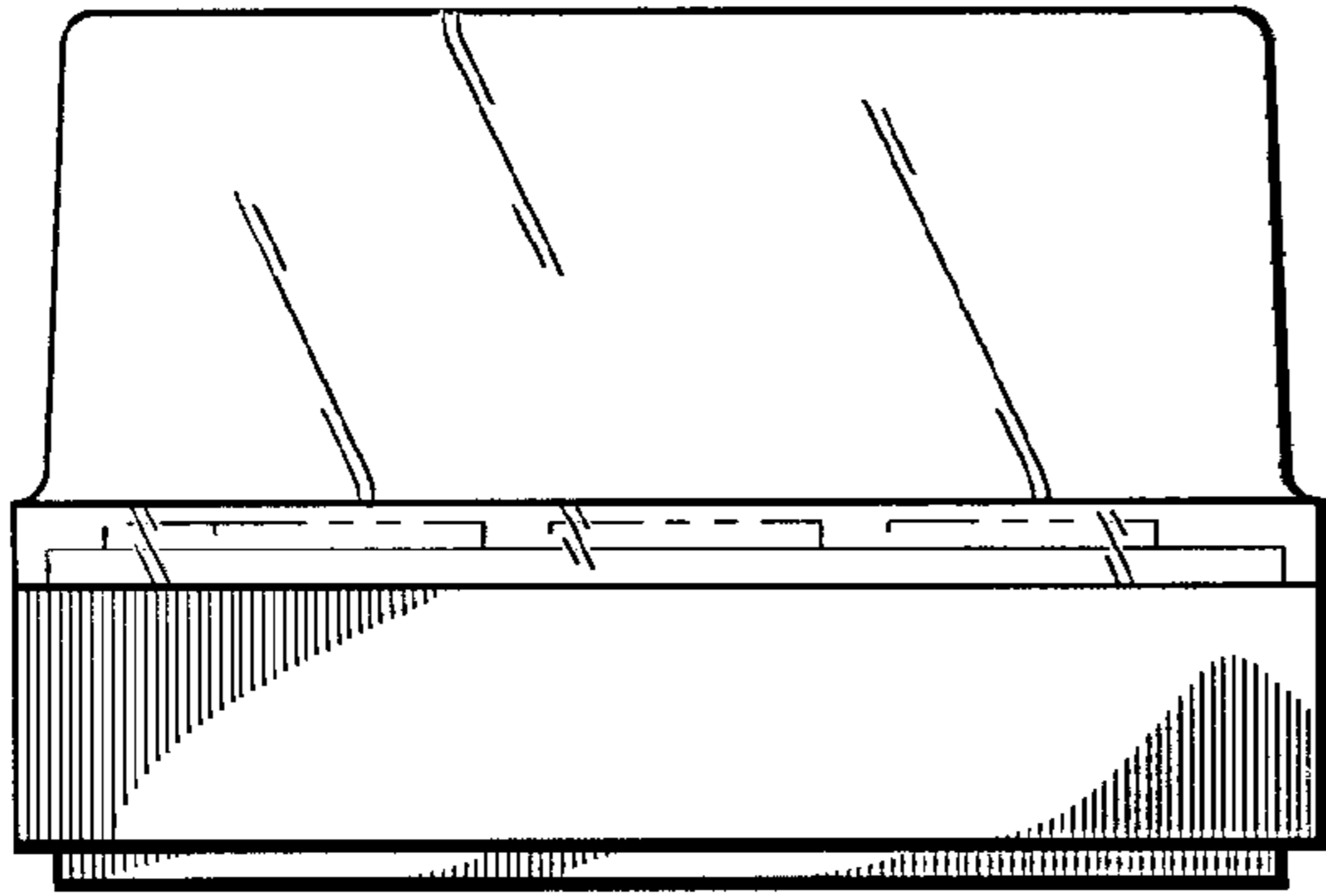


FIG. 10

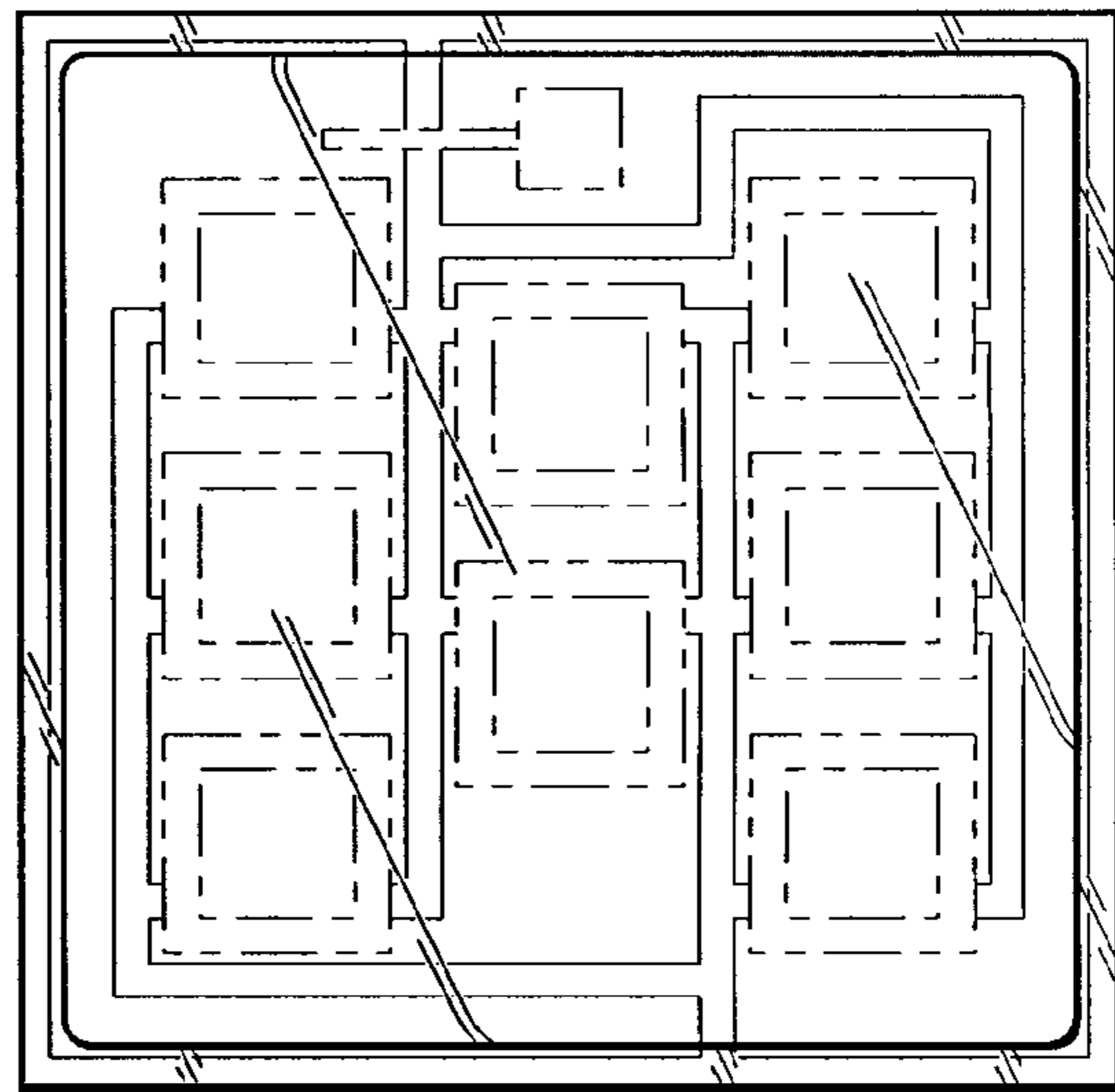
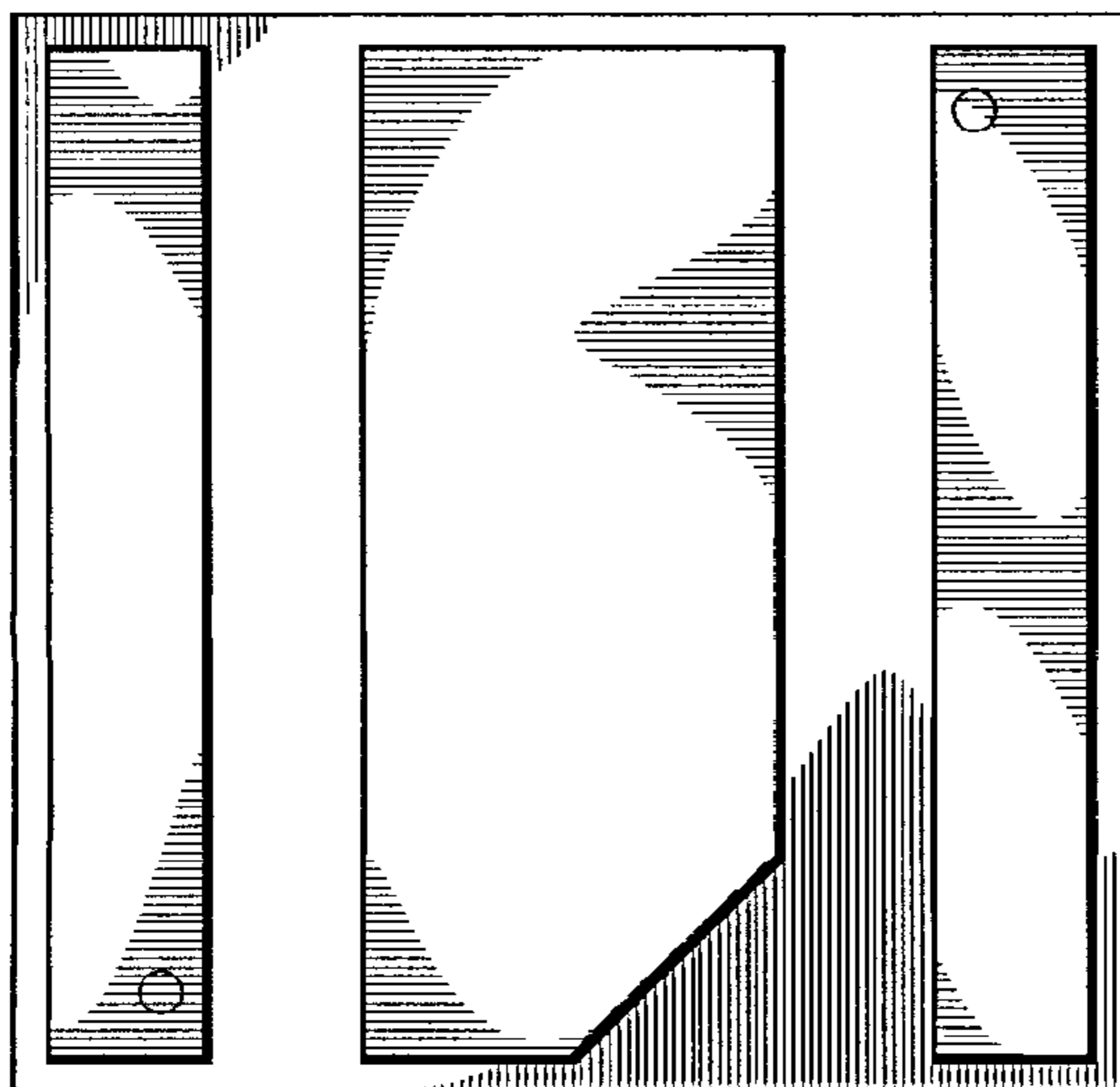


FIG. 11

FIG. 12



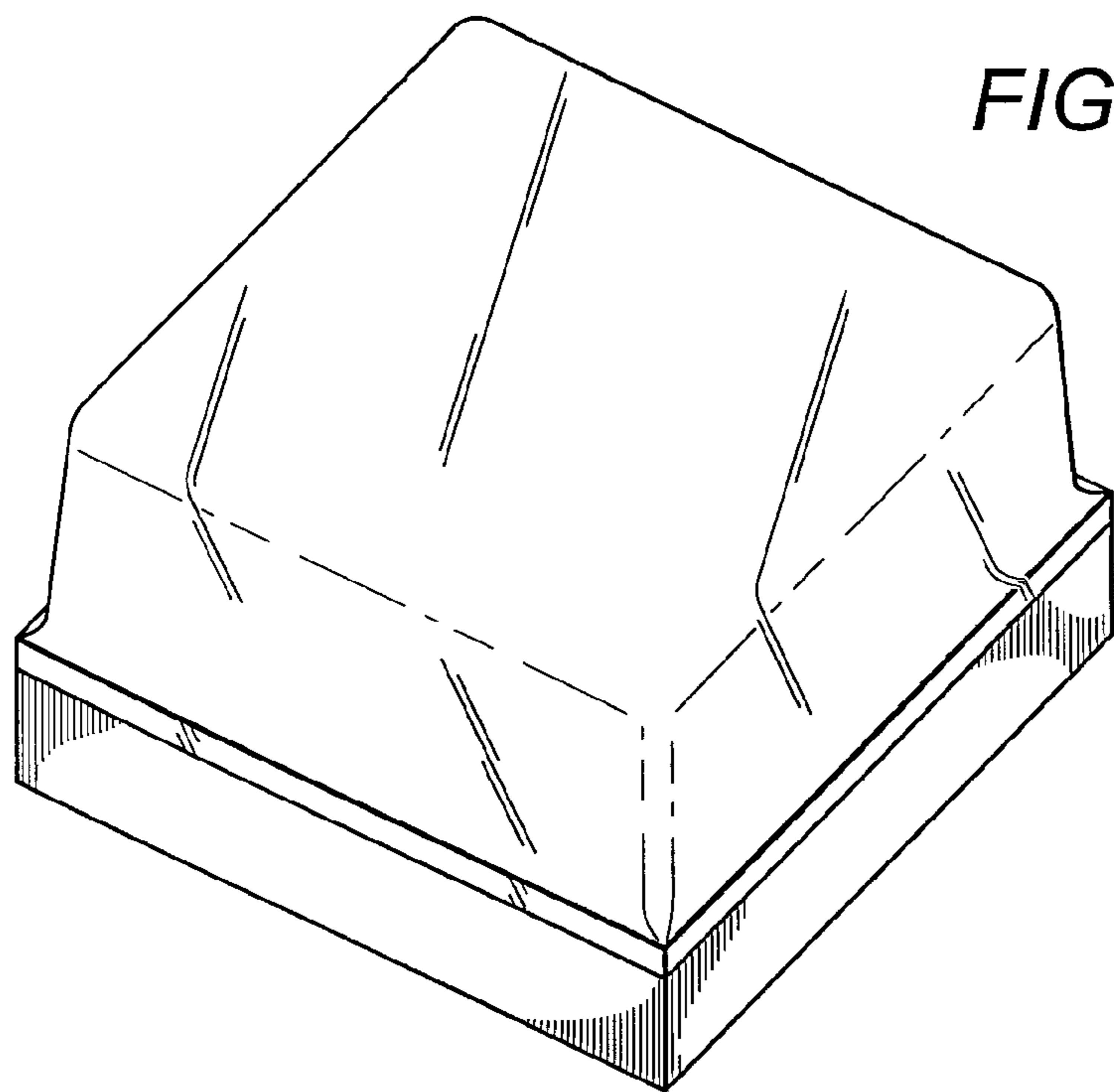


FIG. 13

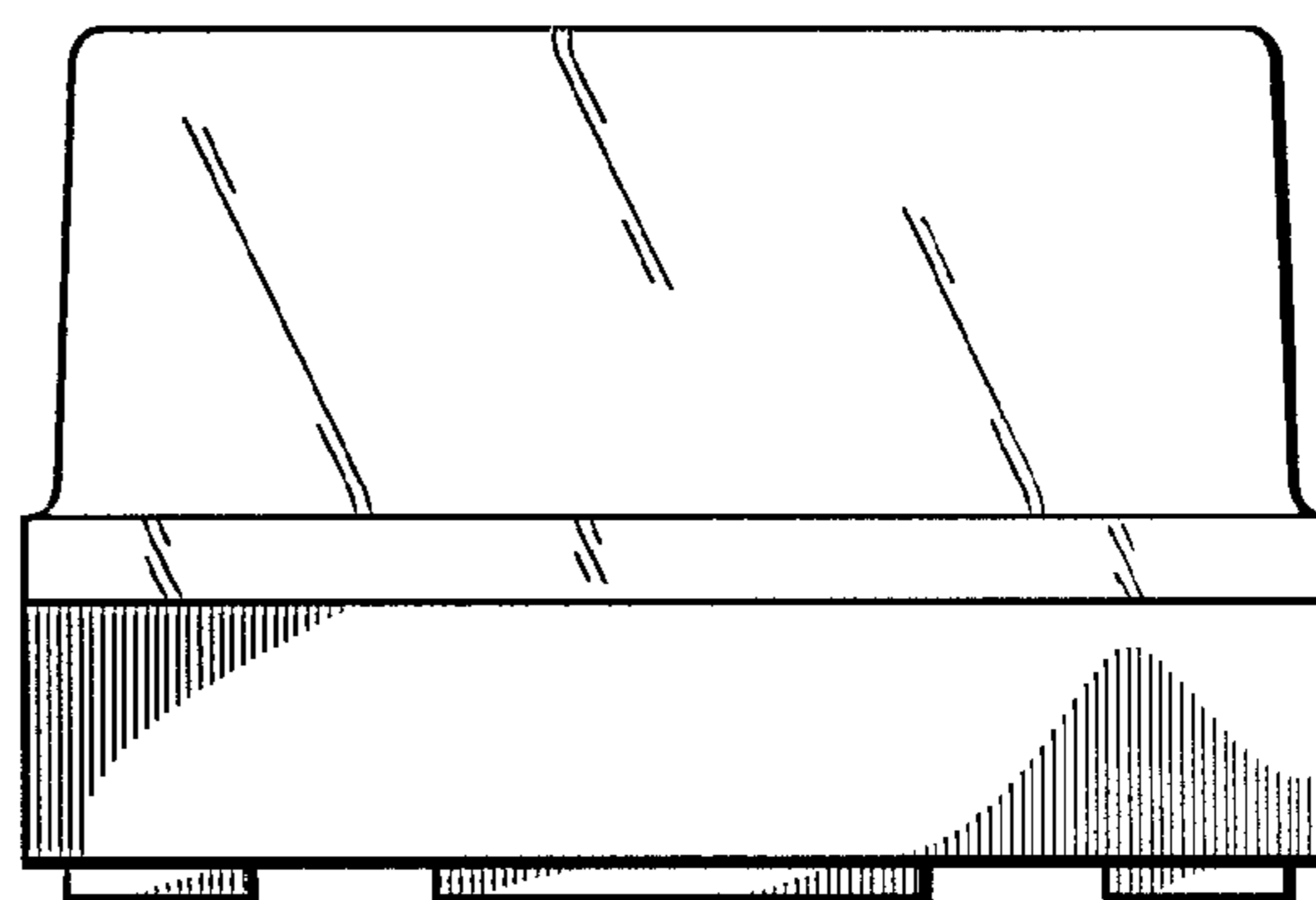


FIG. 14

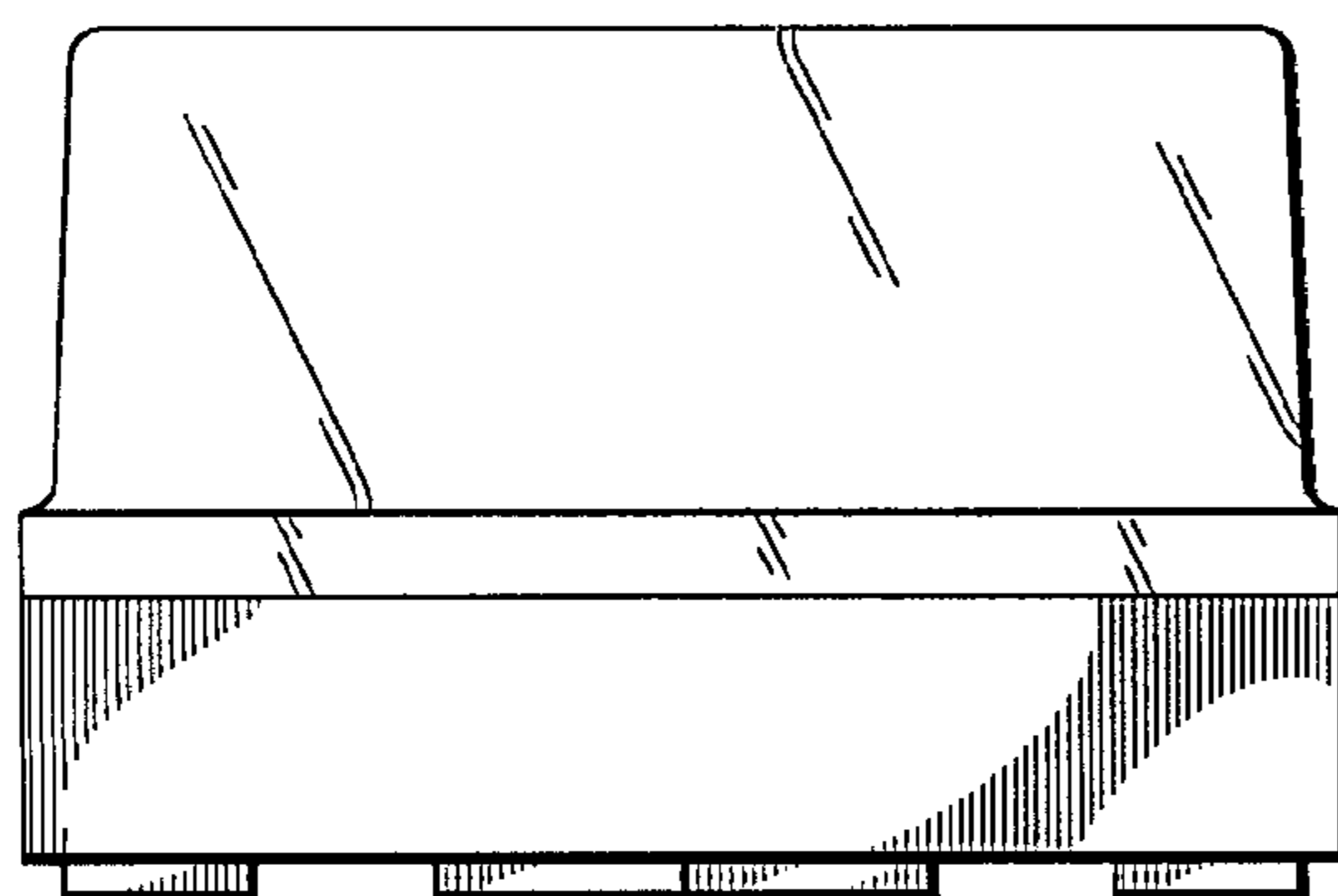


FIG. 15

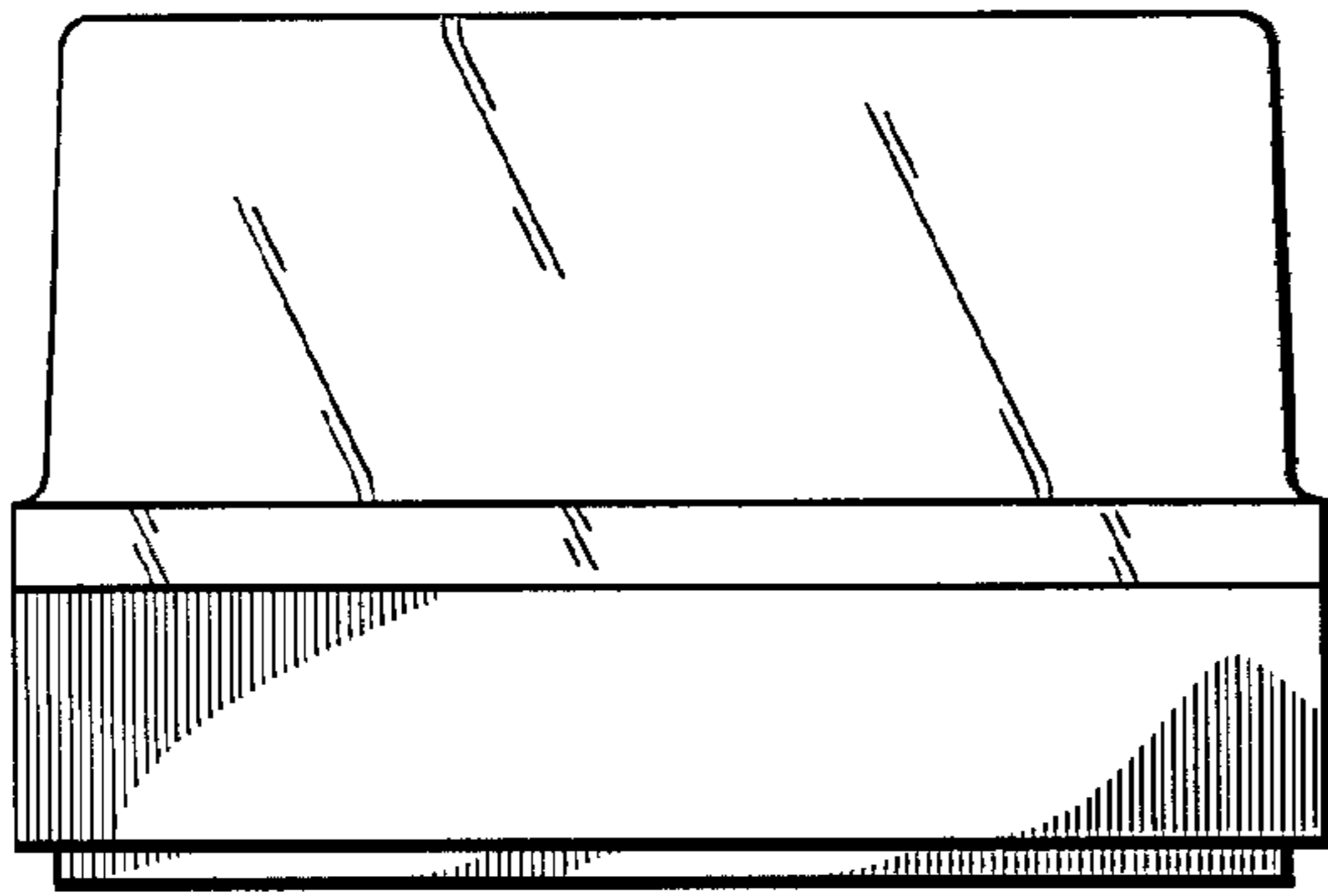


FIG. 16

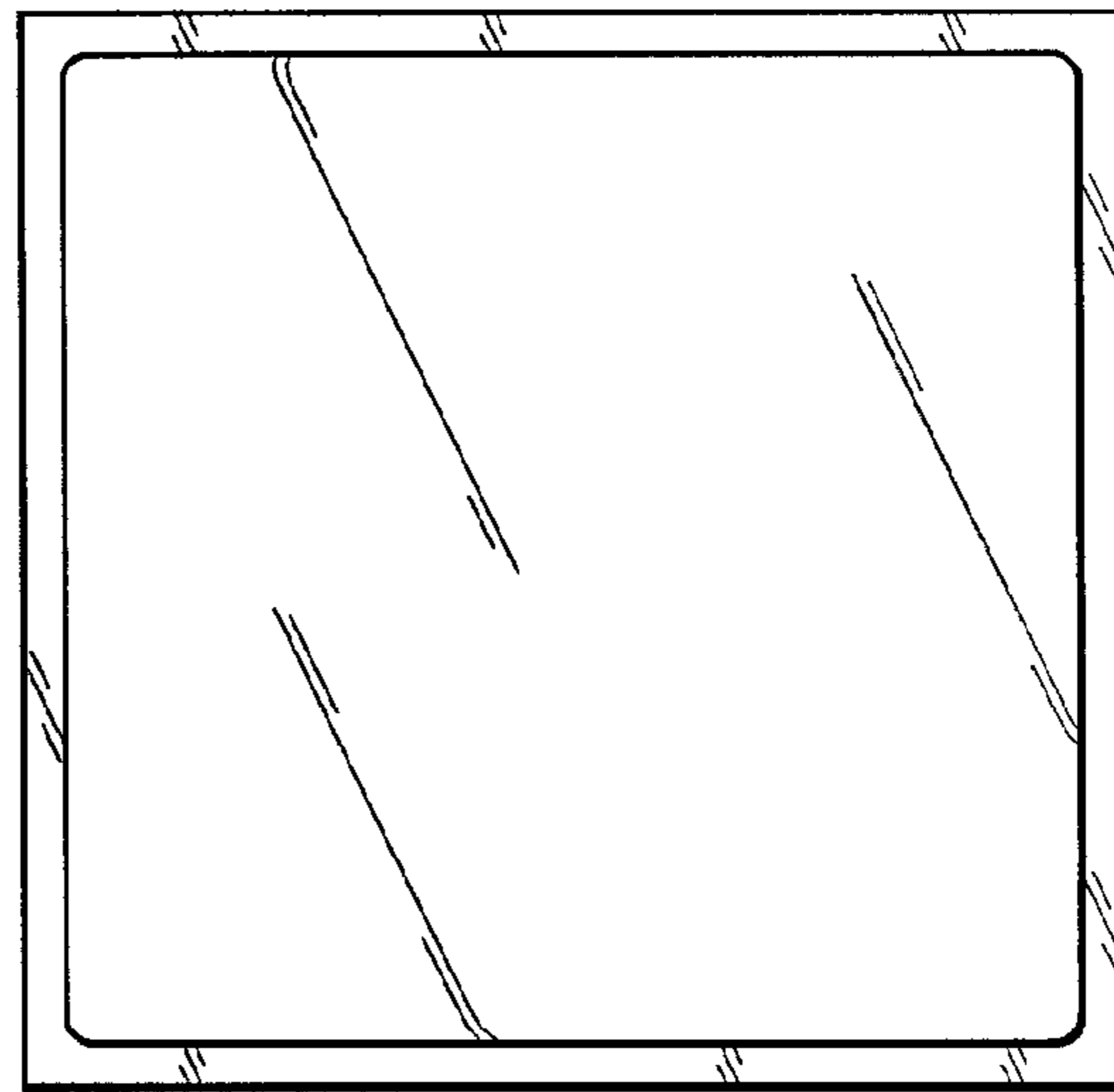


FIG. 17

FIG. 18

