



US00D735682S

(12) **United States Design Patent**
Naumann

(10) **Patent No.:** **US D735,682 S**

(45) **Date of Patent:** **** Aug. 4, 2015**

(54) **FUSE SWITCH DISCONNECTOR**

(71) Applicant: **Wohner GmbH & Co. KG**
Elektrotechnische Systeme, Rodental
(DE)

(72) Inventor: **Peter Naumann, Munich (DE)**

(73) Assignee: **WOHNER GMBH & CO. KG**
ELECTROTECHNISCHE
SYSTEME, Rodental (DE)

(**) Term: **14 Years**

(21) Appl. No.: **29/483,142**

(22) Filed: **Feb. 26, 2014**

(30) **Foreign Application Priority Data**

Sep. 17, 2013 (EM) 002310946-0002

(51) **LOC (10) Cl.** **13-03**

(52) **U.S. Cl.**
USPC **D13/178; D13/161**

(58) **Field of Classification Search**
USPC D13/160, 161, 178; 337/194, 205;
361/835, 83.7
CPC H01H 9/02; H01H 9/102; H01H 9/104;
H01H 9/282; H01H 85/0026; H01H 85/0091;
H01H 85/02; H01H 85/30; H01H 85/306;
H01H 85/547; H01R 13/62933
See application file for complete search history.

(56) **References Cited**

U.S. PATENT DOCUMENTS

D254,667 S * 4/1980 Sare D13/160
D346,791 S * 5/1994 Marach et al. D13/160

D348,048 S * 6/1994 Marach et al. D13/160
D367,041 S * 2/1996 Alfaro et al. D13/160
5,963,411 A * 10/1999 Mollet et al. 361/104
D452,484 S * 12/2001 Milanczak D13/161
6,448,515 B1 * 9/2002 Rohmer et al. 200/50.28
6,587,028 B2 * 7/2003 Mollet et al. 337/194
6,771,477 B2 * 8/2004 Milanczak 361/104
6,784,783 B2 * 8/2004 Scoggin et al. 337/194
7,924,136 B2 * 4/2011 Darr et al. 337/72
8,098,126 B2 * 1/2012 Niedzwiecki et al. 337/205
D718,255 S * 11/2014 Garcia et al. D13/161
2005/0098419 A1 * 5/2005 Matsui et al. 200/311
2007/0188291 A1 * 8/2007 Buettner 337/190
2009/0033453 A1 * 2/2009 Deno et al. 337/205

* cited by examiner

Primary Examiner — Selina Sikder

(74) *Attorney, Agent, or Firm* — Millen, White, Zelano & Branigan, P.C.; William F. Nixon

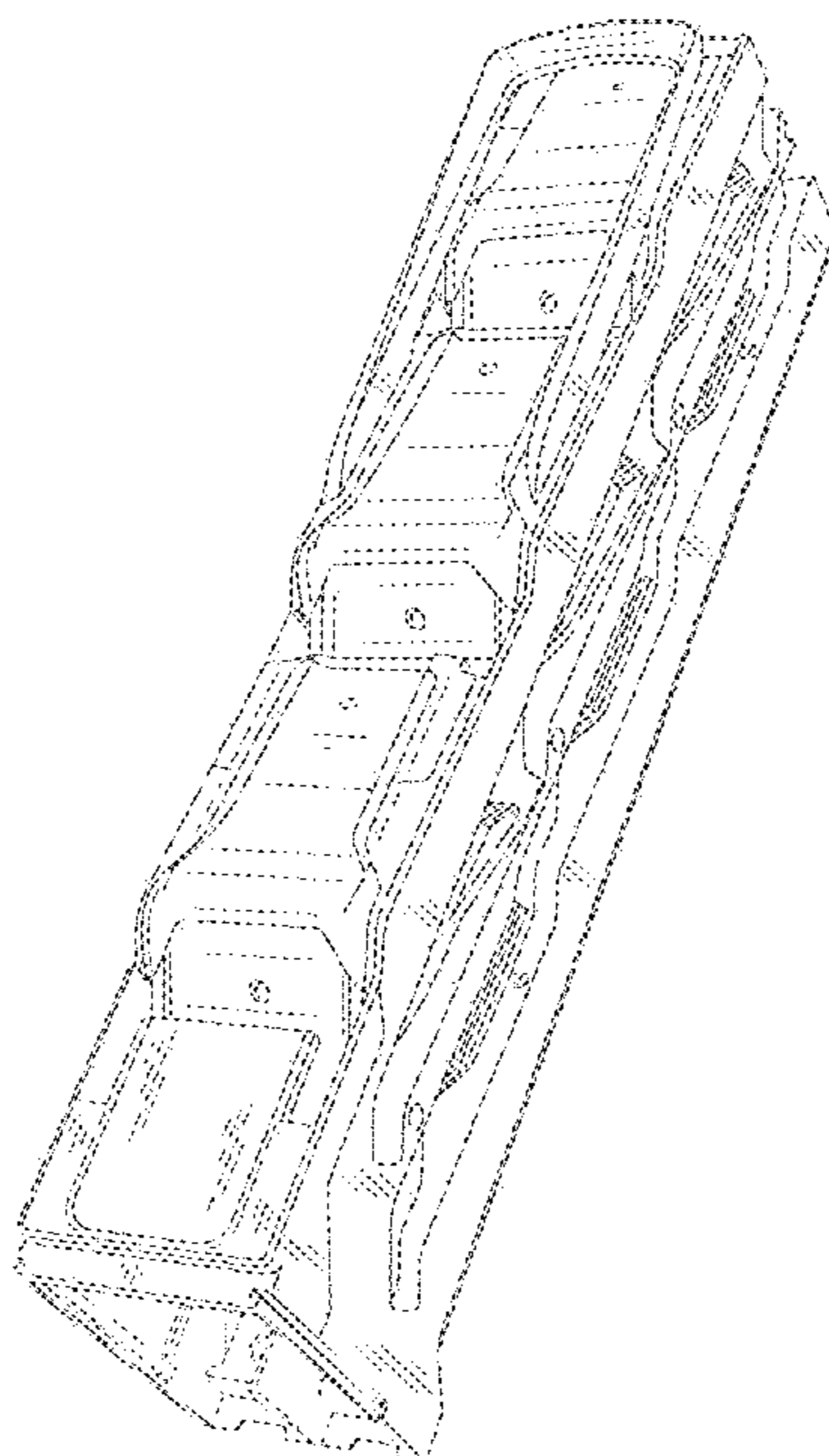
(57) **CLAIM**

The ornamental design for fuse switch disconnecter, as shown and described.

DESCRIPTION

FIG. 1 is a front view of an embodiment of fuse switch disconnecter;
FIG. 2 is a rear view thereof;
FIG. 3 is a bottom view thereof;
FIG. 4 is a top view thereof;
FIG. 5 is a right side view thereof;
FIG. 6 is a left side view thereof; and,
FIG. 7 is a right side perspective view thereof.
The broken line showing of the fuse switch disconnecter is for illustrative purposes only and forms no part of the claimed design.

1 Claim, 7 Drawing Sheets



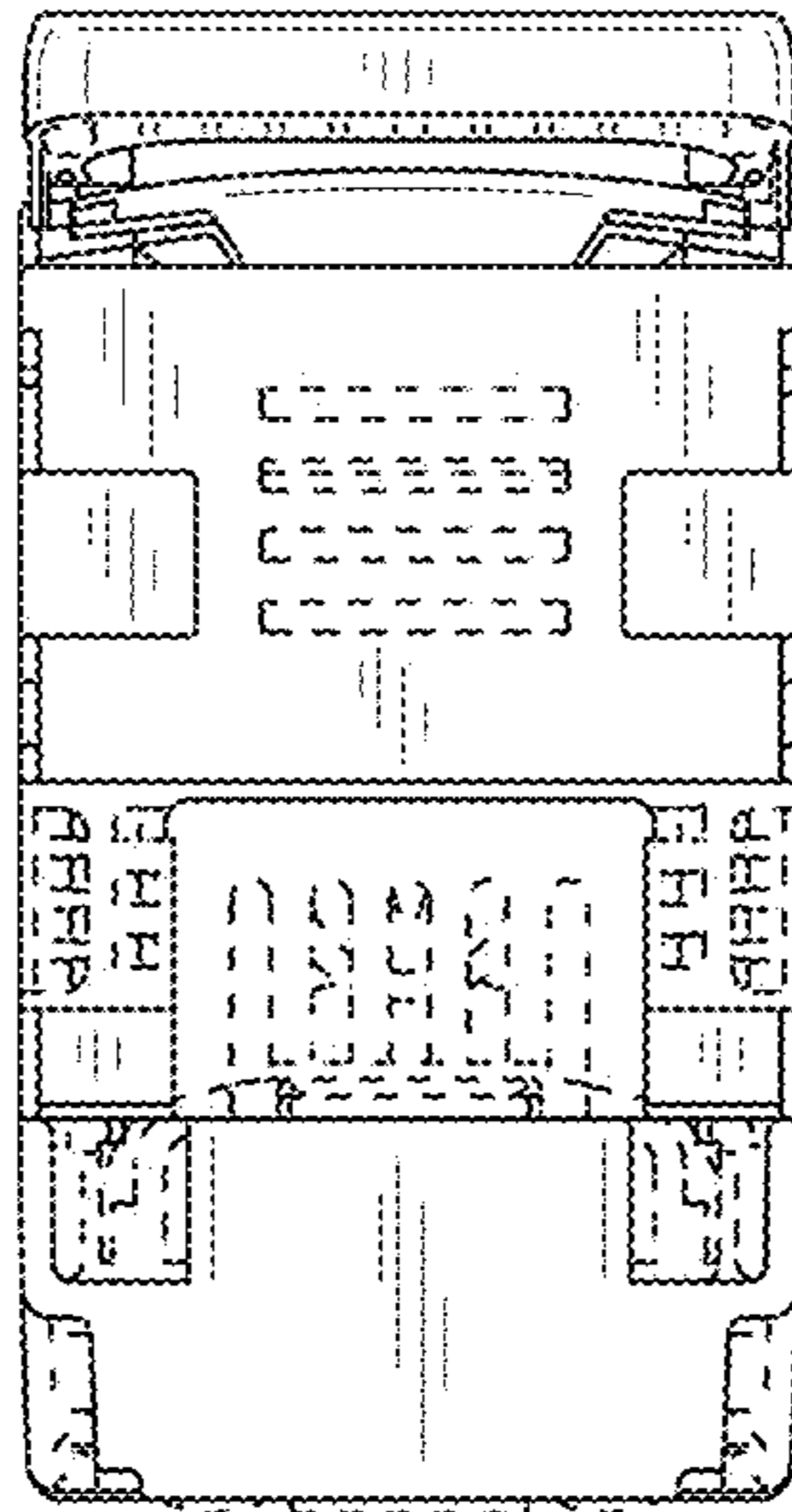


FIG. 1

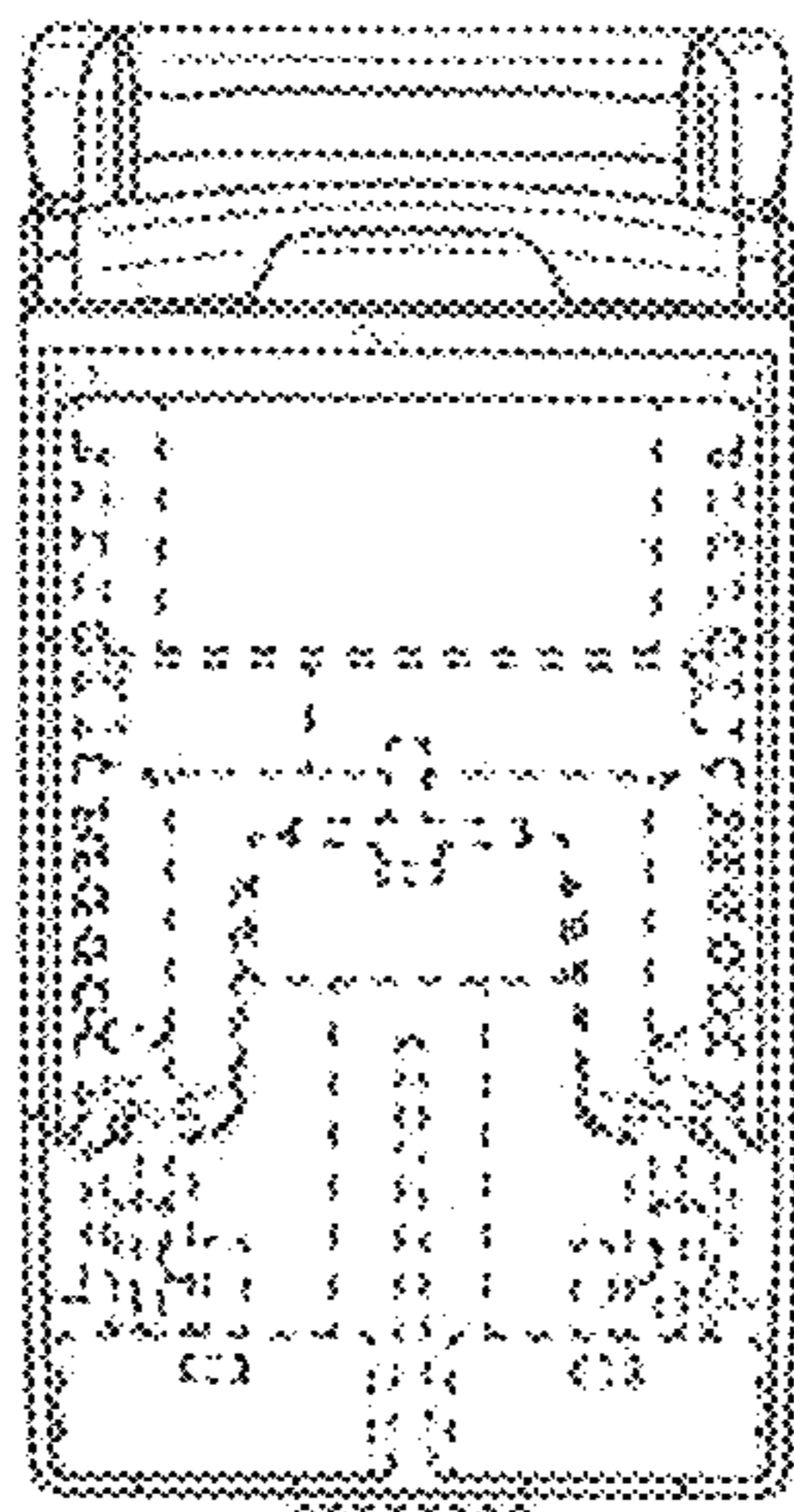


FIG.2

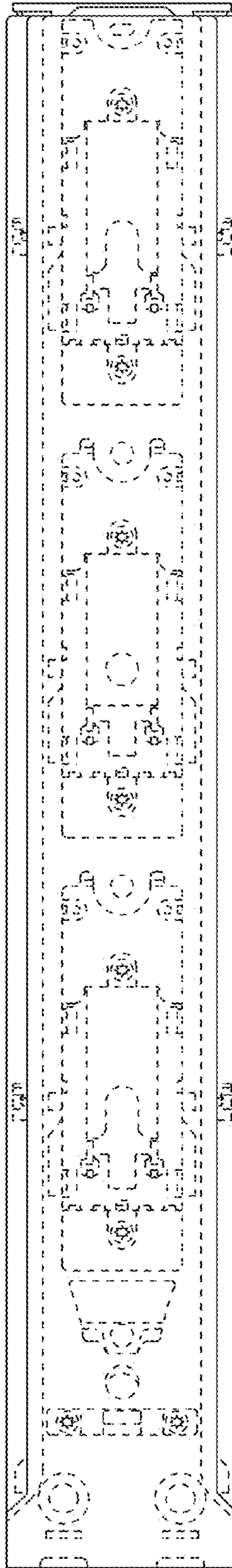


FIG.3

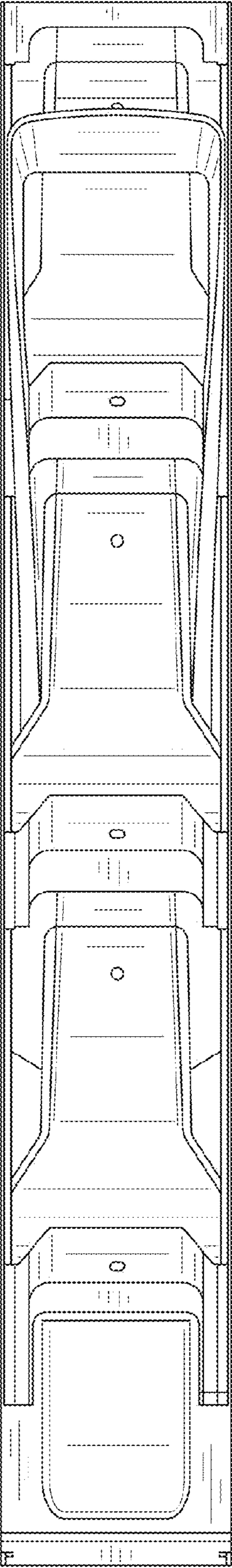


FIG.4

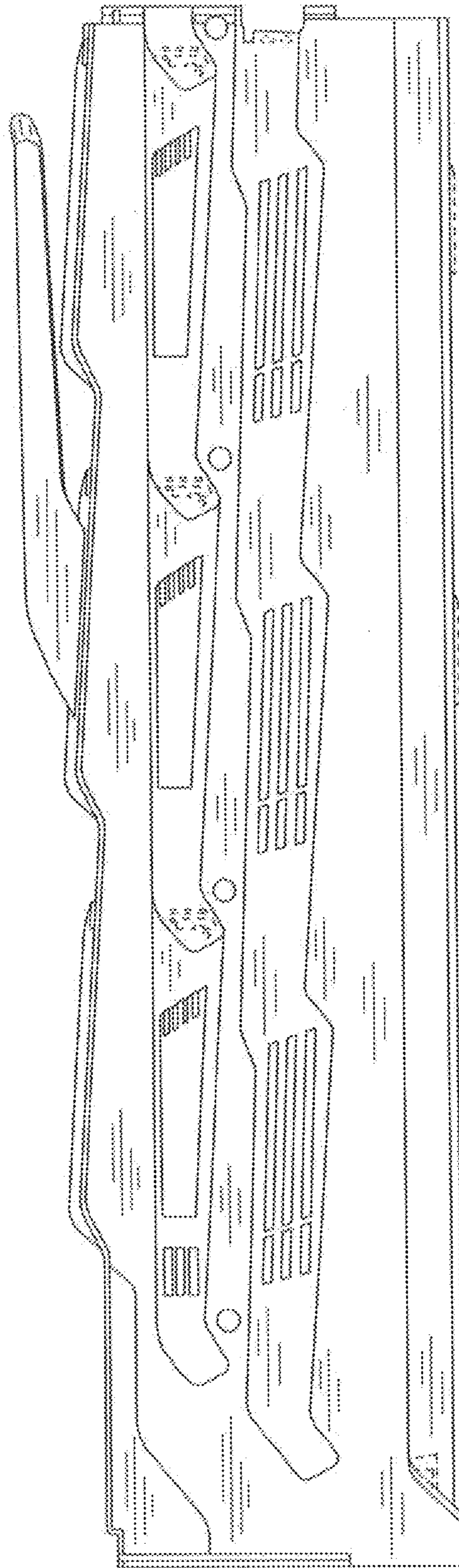


FIG.5

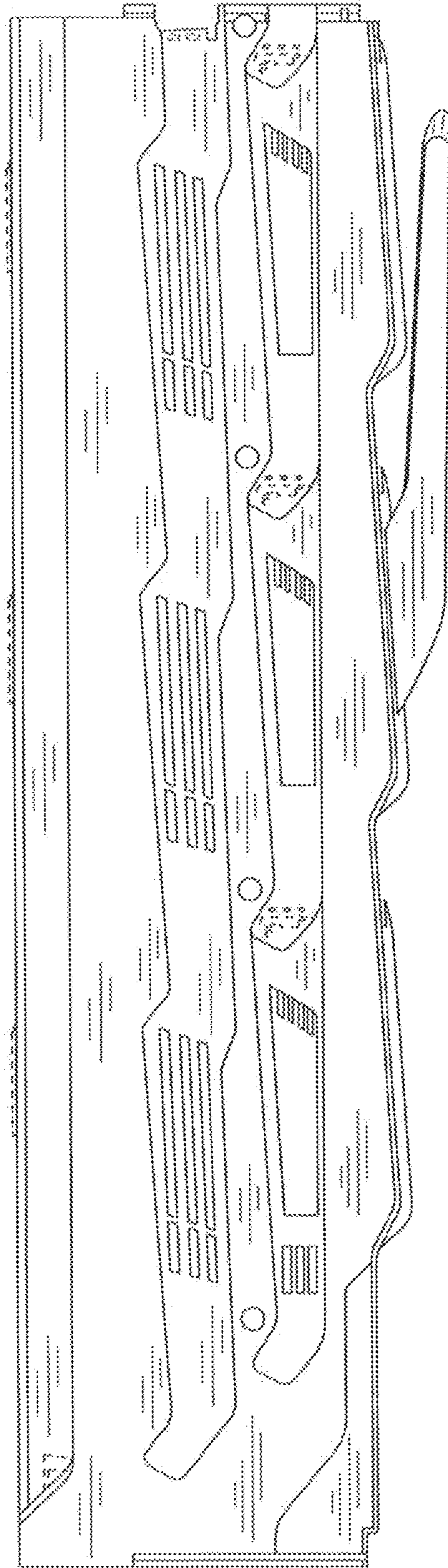


FIG.6

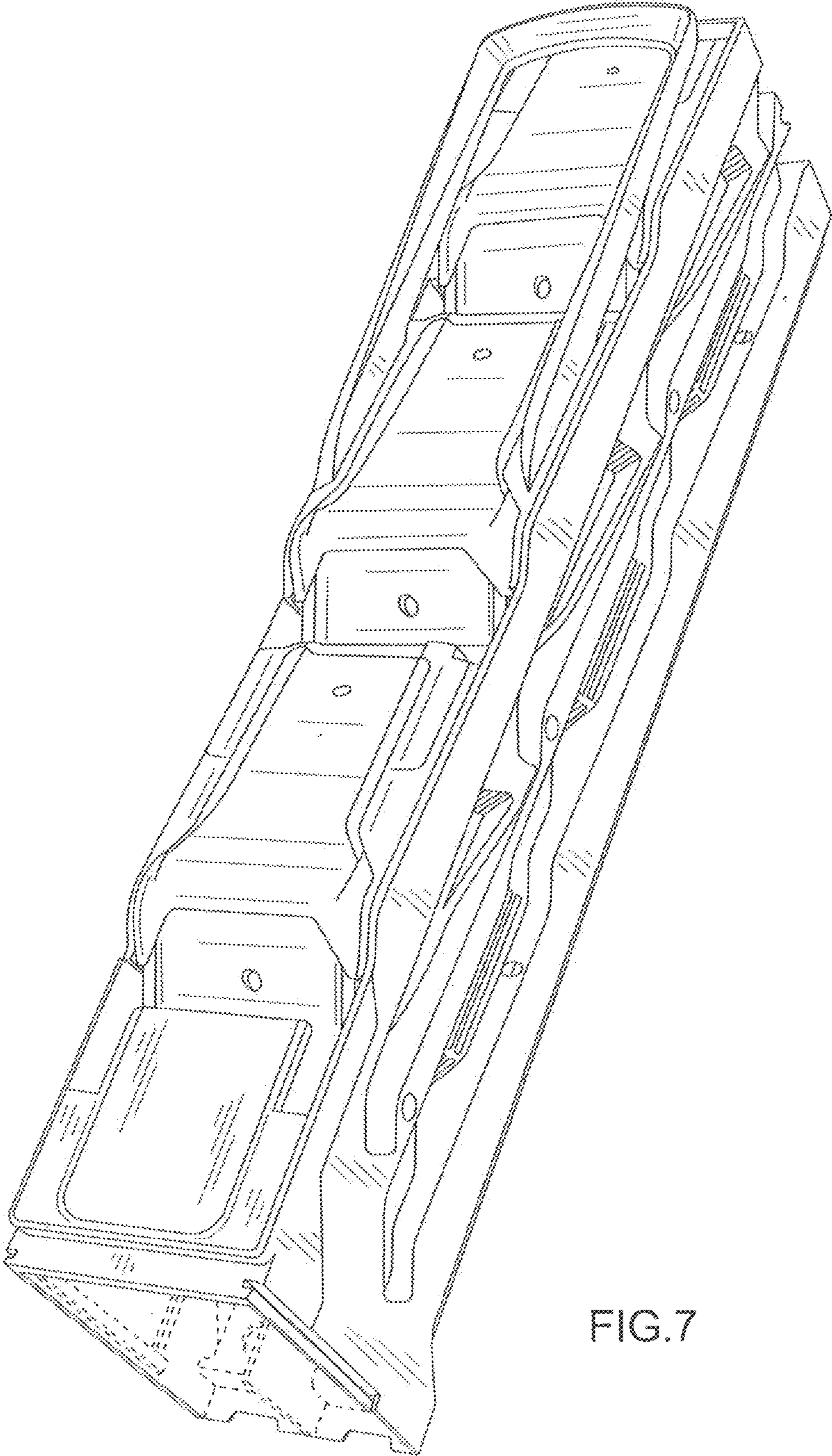


FIG.7