



US00D735681S

(12) **United States Design Patent**
Altonen et al.

(10) **Patent No.:** **US D735,681 S**
(45) **Date of Patent:** **** Aug. 4, 2015**

(54) **CONTROL DEVICE**

(71) Applicant: **Lutron Electronics Co., Inc.**,
Coopersburg, PA (US)

(72) Inventors: **Gregory Altonen**, Easton, PA (US);
Elliot G. Jacoby, Glenside, PA (US);
William Taylor Shivell, Breinigsville,
PA (US)

(73) Assignee: **LUTRON ELECTRONICS CO., INC.**,
Coopersburg, PA (US)

(**) Term: **14 Years**

(21) Appl. No.: **29/488,542**

(22) Filed: **Apr. 21, 2014**

Related U.S. Application Data

(62) Division of application No. 29/437,854, filed on Nov.
21, 2012, now Pat. No. Des. 707,191.

(51) **LOC (10) Cl.** **13-03**

(52) **U.S. Cl.**
USPC **D13/177**

(58) **Field of Classification Search**
USPC D13/162, 164, 171, 177; D8/353;
174/66
CPC H01H 3/12; H01H 3/14; H01H 9/02;
H01H 9/16; H01H 9/18; H01H 9/181; H01H
9/182; H01H 13/04; H01H 13/14; H01H
2009/187; H05B 33/0803; H05B 33/0863;
H05B 37/02; H05B 37/0254; H05B 37/0272;
H05B 39/02; H05B 39/04; H05B 39/085;
H05B 39/086; H05B 39/088; H02G 3/083;
H02G 3/14

See application file for complete search history.

(56) **References Cited**

U.S. PATENT DOCUMENTS

4,780,573 A * 10/1988 Own 174/66
D311,678 S * 10/1990 Graef et al. D8/353
D378,814 S * 4/1997 Adams et al. D13/164

D437,834 S * 2/2001 Mayo et al. D13/162
D453,742 S * 2/2002 Butler et al. D13/164
6,350,039 B1 * 2/2002 Lee 362/95
6,459,250 B1 * 10/2002 Davis 323/352
D541,221 S * 4/2007 Spira D13/162
D542,229 S * 5/2007 Larson et al. D13/162
D551,630 S * 9/2007 Larson et al. D13/162
D569,351 S * 5/2008 Hewson et al. D13/162
D580,884 S * 11/2008 Hollner D13/164
D588,072 S * 3/2009 Hollner et al. D13/164
D588,073 S * 3/2009 Hollner D13/164
D595,240 S * 6/2009 Busbridge D13/171
7,880,085 B2 * 2/2011 Nurenberg et al. 174/66
D633,448 S * 3/2011 Biery et al. D13/171
D645,001 S * 9/2011 Margolin et al. D13/162
D658,591 S * 5/2012 Margolin et al. D13/162
D706,731 S * 6/2014 Altonen et al. D13/177
D706,732 S * 6/2014 Altonen et al. D13/177
D707,191 S * 6/2014 Altonen et al. D13/177
D714,234 S * 9/2014 Altonen et al. D13/177
D720,306 S * 12/2014 Altonen et al. D13/177
2008/0169176 A1 * 7/2008 Yang 200/310
2014/0268630 A1 * 9/2014 Samuels 362/23.03

* cited by examiner

Primary Examiner — Selina Sikder

(74) *Attorney, Agent, or Firm* — Mark E. Rose; Philip N.
Smith

(57) **CLAIM**

We claim the ornamental design for a control device, as
shown and described.

DESCRIPTION

FIG. 1 is a perspective view of a control device according to
our new design.

FIG. 2 is a front view thereof.

FIG. 3 is a left side view thereof.

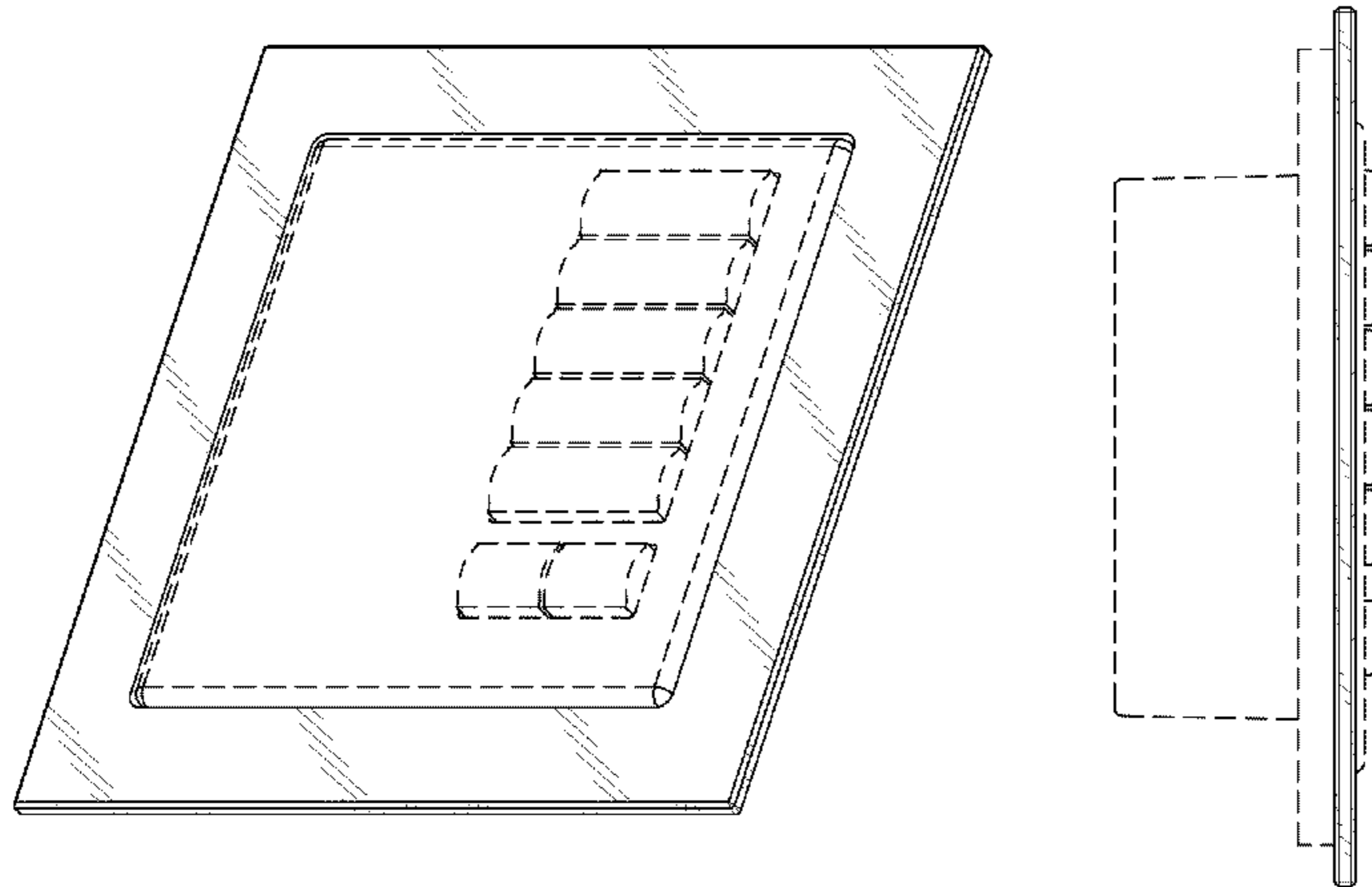
FIG. 4 is a right side view thereof.

FIG. 5 is a top view thereof; and,

FIG. 6 is a bottom view thereof.

The rear view forms no part of the design and is omitted. The
oblique shade lines shown in the drawings indicate a trans-
parent or translucent surface. The portions of the drawings
appearing in broken line are for environment only and do not
form a part of the claimed design.

1 Claim, 4 Drawing Sheets



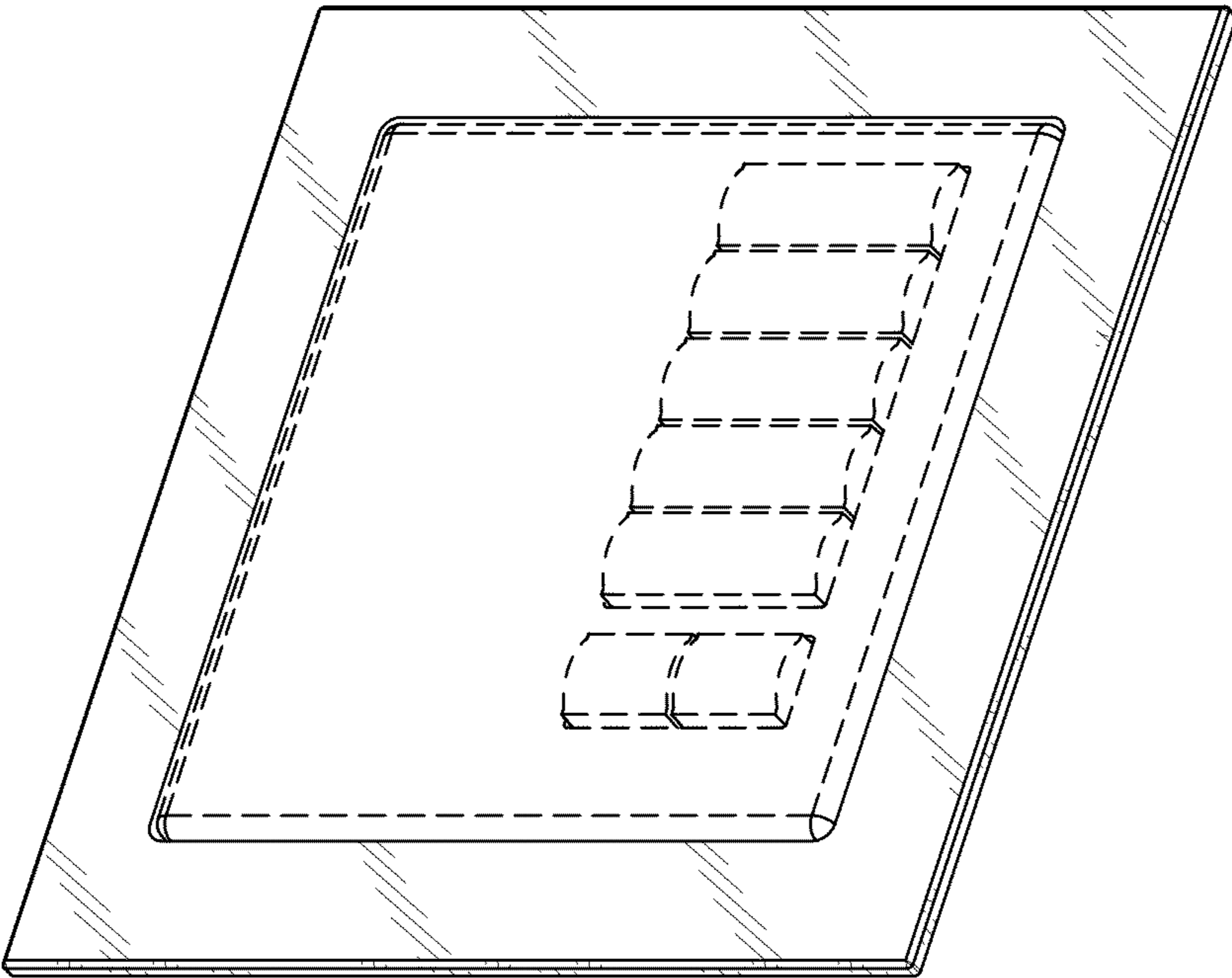


Fig. 1

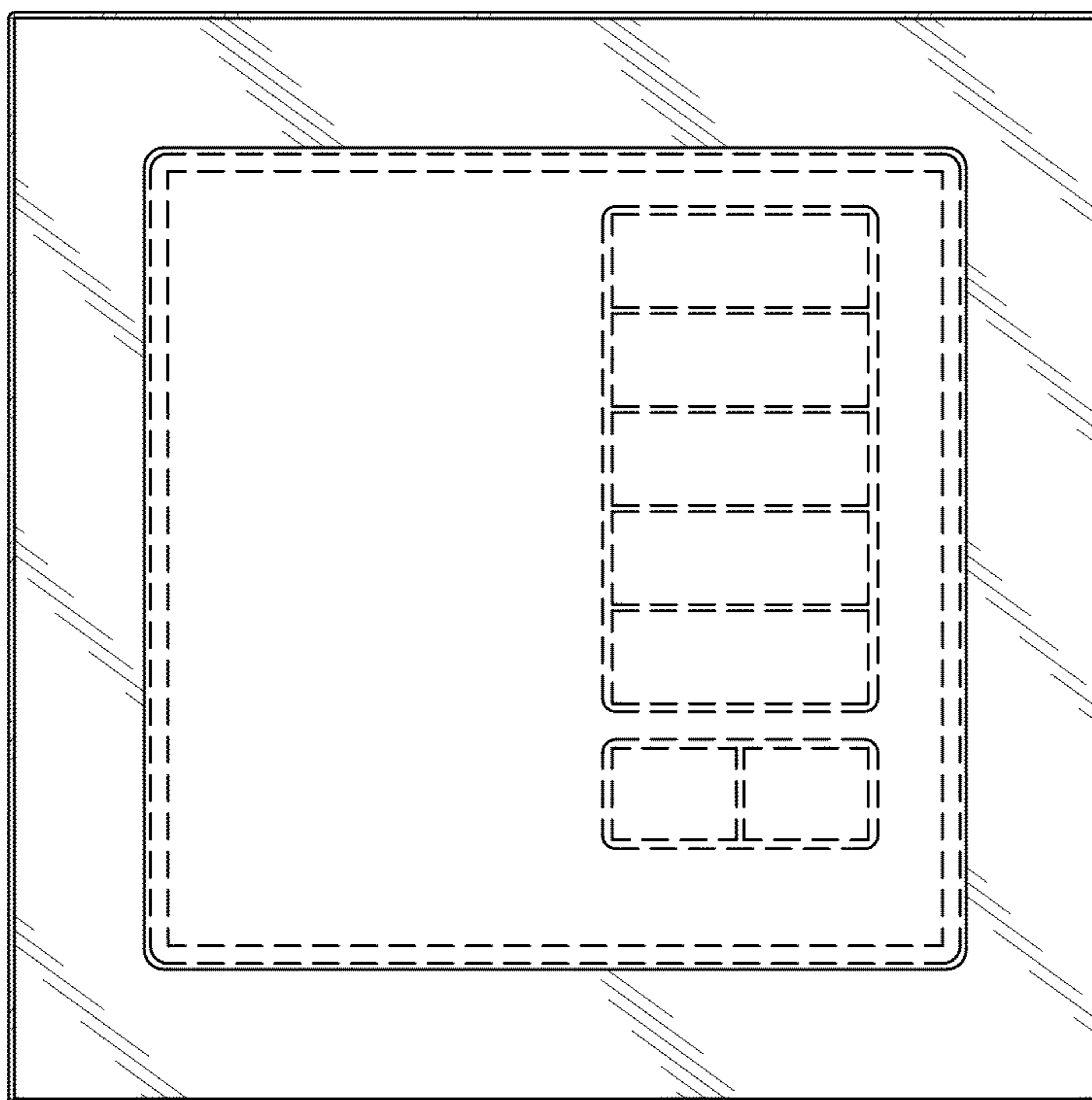


Fig. 2

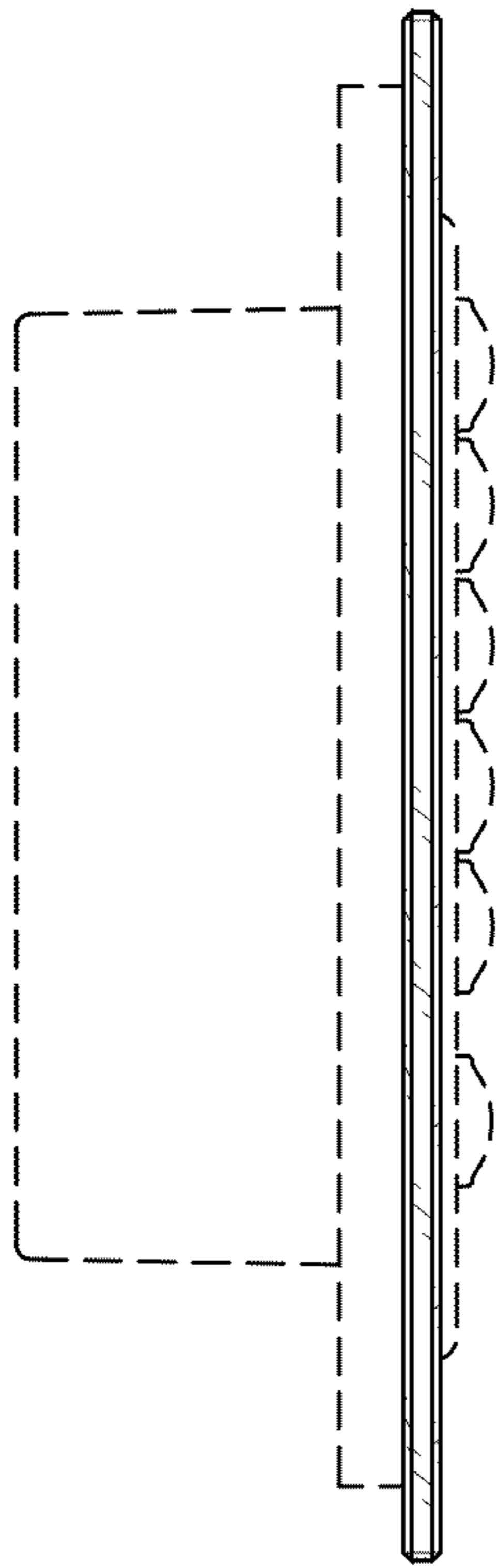


Fig. 3

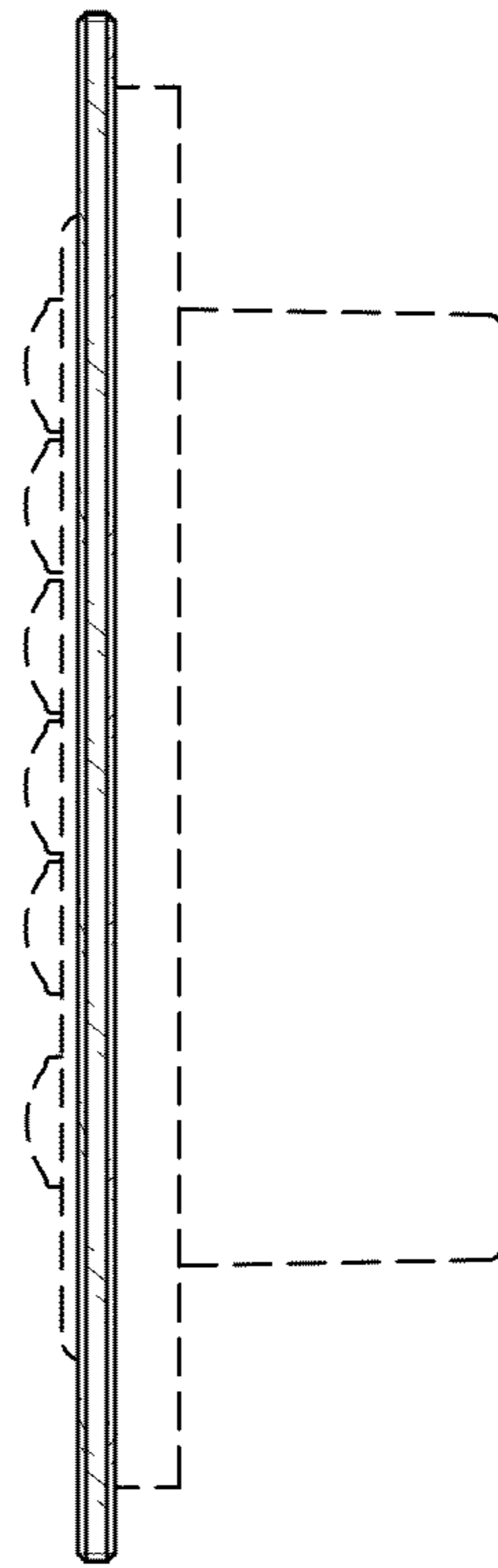


Fig. 4

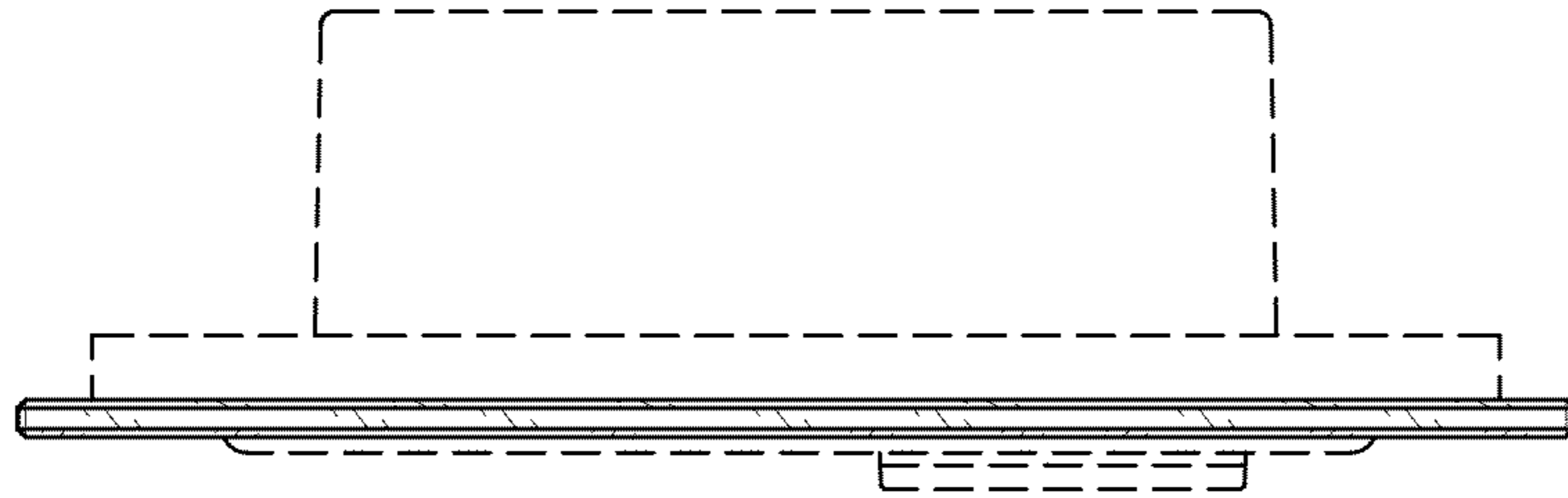


Fig. 5

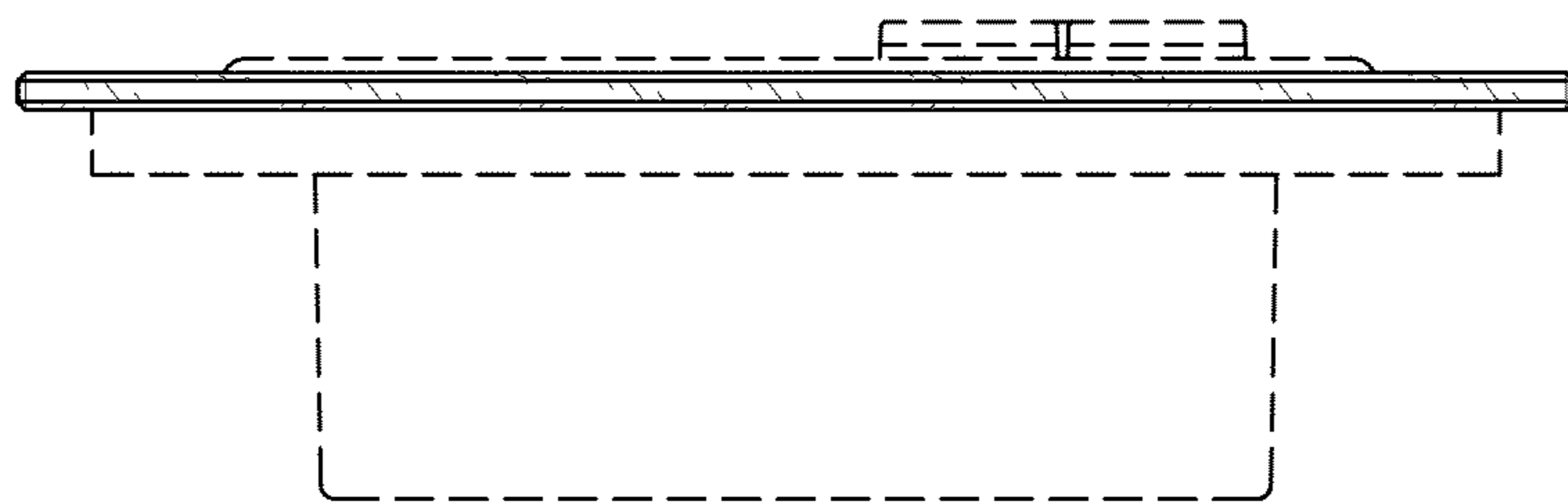


Fig. 6