



US00D735680S

(12) **United States Design Patent**
Harrison et al.

(10) **Patent No.:** **US D735,680 S**

(45) **Date of Patent:** **** Aug. 4, 2015**

(54) **CONTROLLER**

(71) Applicant: **Orica International Pte Ltd.**, Singapore (SG)

(72) Inventors: **Nick Harrison**, Newcastle (AU); **Neil Davidson**, Brisbane (AU); **Owen Bawden**, Brisbane (AU); **Peter Condie**, Brisbane (AU); **Anton Lee See**, Brisbane (AU); **Ben Cramp**, Brisbane (AU); **Gretta Jensen**, Newcastle (AU)

(73) Assignee: **Orica International Pte Ltd.**, Singapore (SG)

(**) Term: **14 Years**

(21) Appl. No.: **29/467,349**

(22) Filed: **Sep. 18, 2013**

(30) **Foreign Application Priority Data**

Mar. 18, 2013 (AU) 11367/2013
Mar. 18, 2013 (AU) 11370/2013

(51) **LOC (10) Cl.** **13-03**

(52) **U.S. Cl.**
USPC **D13/162; D13/164**

(58) **Field of Classification Search**
USPC D13/162, 164; D14/137, 335; 102/301; 299/1.05, 1.1; 361/679.01, 679.02; 405/301, 302; 700/17, 20, 83
CPC E21D 23/12; E21D 23/16; E21D 23/26; E21D 2023/148; F16M 2200/02; F16M 11/01; G05B 11/01; G05B 19/02; H05B 2219/23039; H05K 5/0017; H05K 5/0234; H05K 5/0247
See application file for complete search history.

(56) **References Cited**

U.S. PATENT DOCUMENTS

4,089,182	A *	5/1978	Takahashi et al.	405/302
D269,271	S *	6/1983	Sottsass	D14/335
4,906,143	A *	3/1990	Kussel et al.	405/302
D327,264	S *	6/1992	Goatman	D14/137
D442,560	S *	5/2001	Price et al.	D13/163
6,361,119	B1 *	3/2002	Kussel	299/1.1
6,597,579	B1 *	7/2003	Reszat et al.	361/731
7,238,055	B2 *	7/2007	Mundry et al.	439/638
D553,580	S *	10/2007	Hobson	D13/164
D556,149	S *	11/2007	Kaufhold et al.	D13/162
D557,220	S *	12/2007	Ewringmann	D13/168
D566,597	S *	4/2008	Schneor	D10/103
D641,712	S *	7/2011	Berning et al.	D13/164
D693,311	S *	11/2013	Biller et al.	D13/151
8,923,720	B2 *	12/2014	Uchida et al.	399/81
2006/0014439	A1 *	1/2006	Mundry et al.	439/638
2013/0194736	A1 *	8/2013	Ishii	361/679.02
2014/0139210	A1 *	5/2014	Walsh et al.	324/239

* cited by examiner

Primary Examiner — Selina Sikder

(74) *Attorney, Agent, or Firm* — Saidman DesignLaw Group, LLC

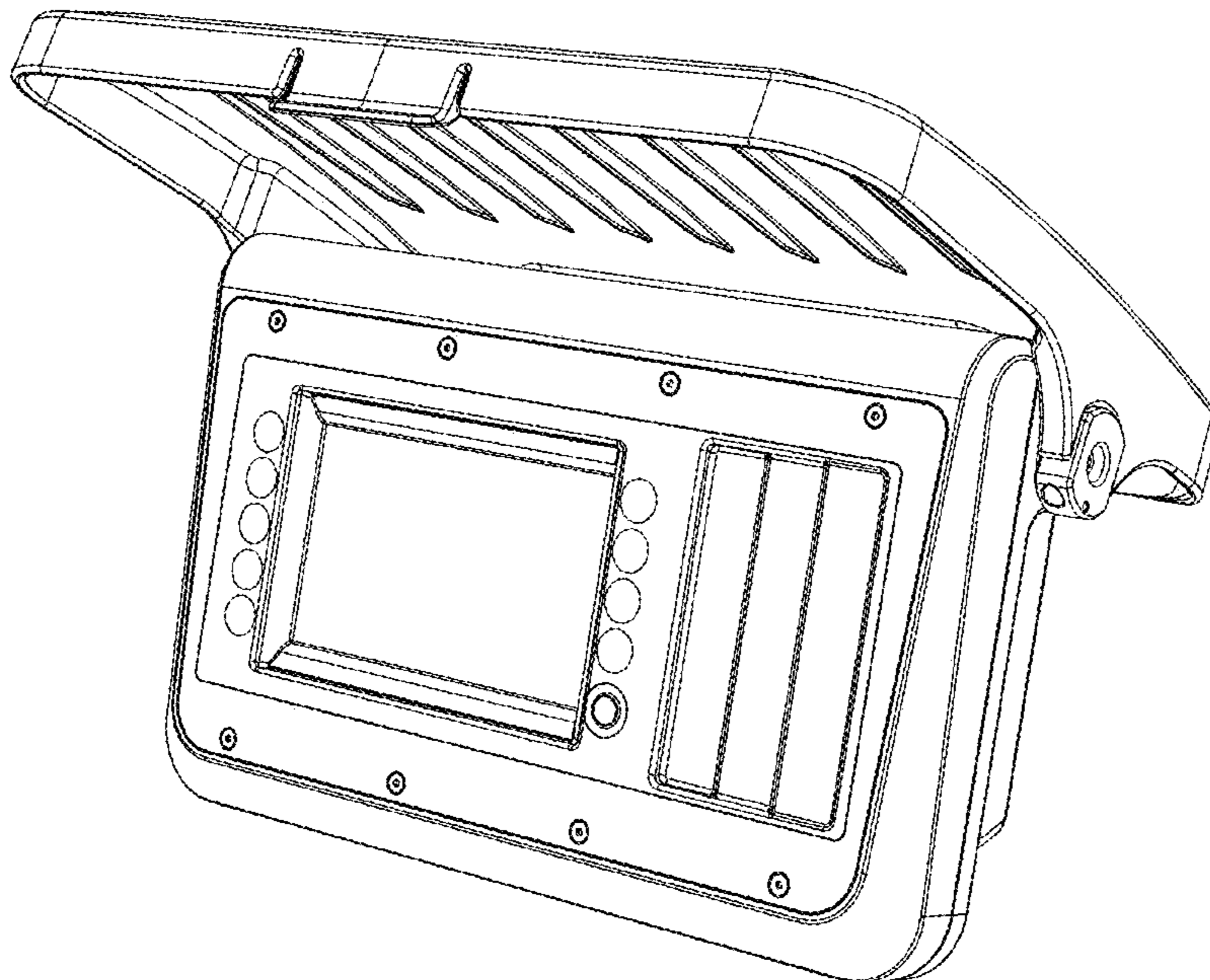
(57) **CLAIM**

The ornamental design for a controller, as shown and described.

DESCRIPTION

FIG. 1 is a right, front perspective view of the controller showing our new design;
FIG. 2 is a left, front perspective view thereof;
FIG. 3 is right, rear perspective view thereof; and,
FIG. 4 is a left, rear perspective view thereof.

1 Claim, 4 Drawing Sheets



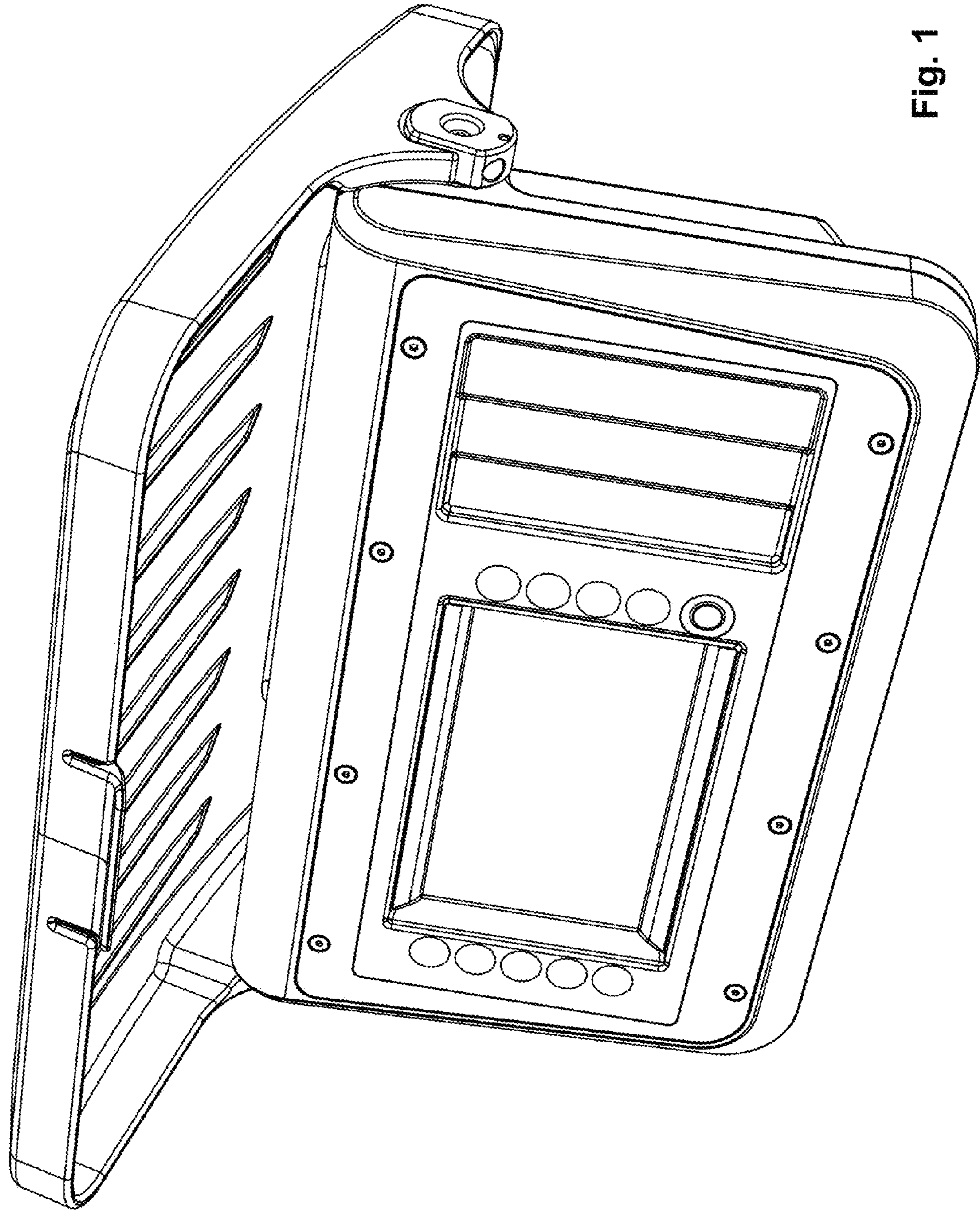


Fig. 1

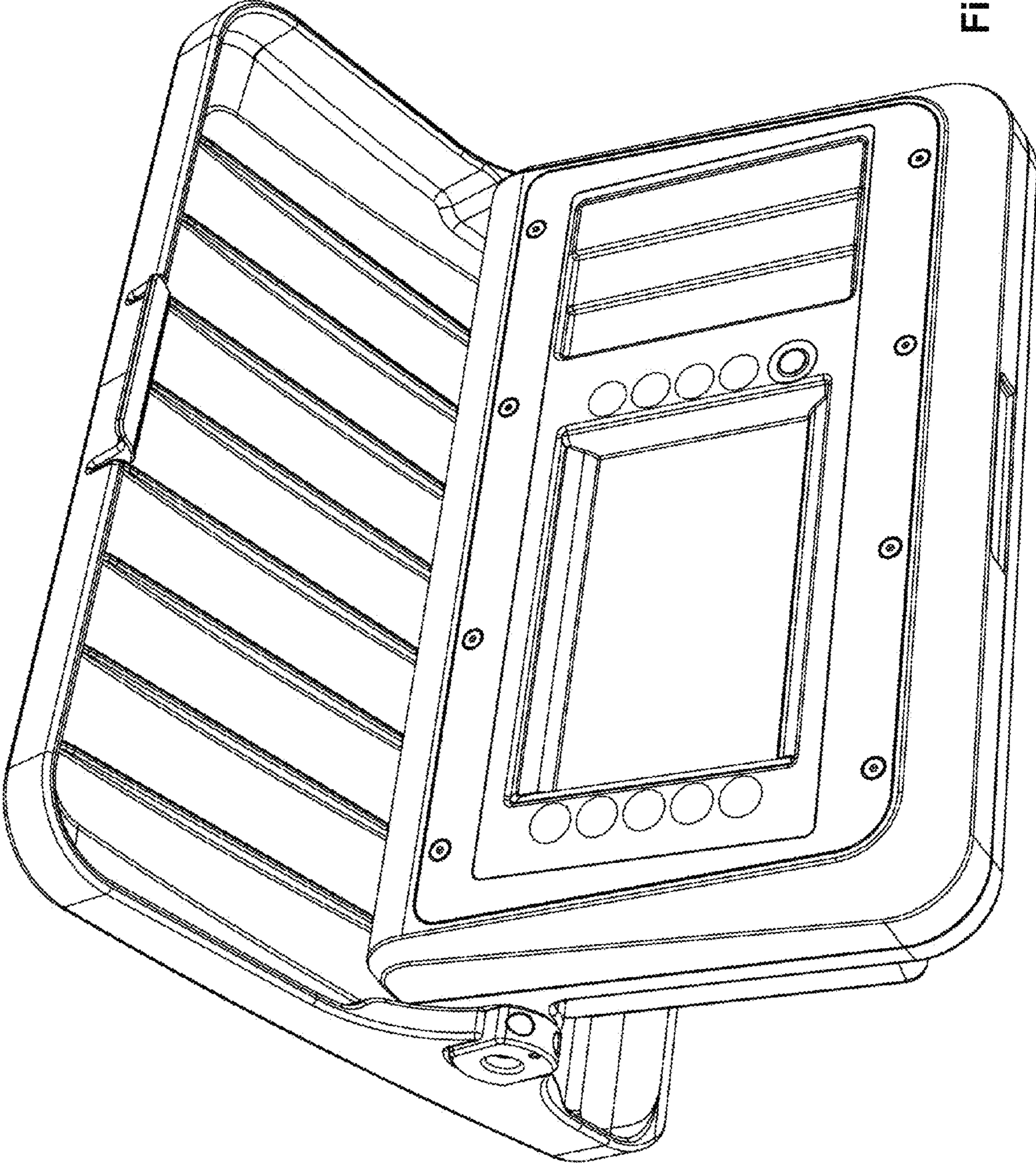


Fig. 2

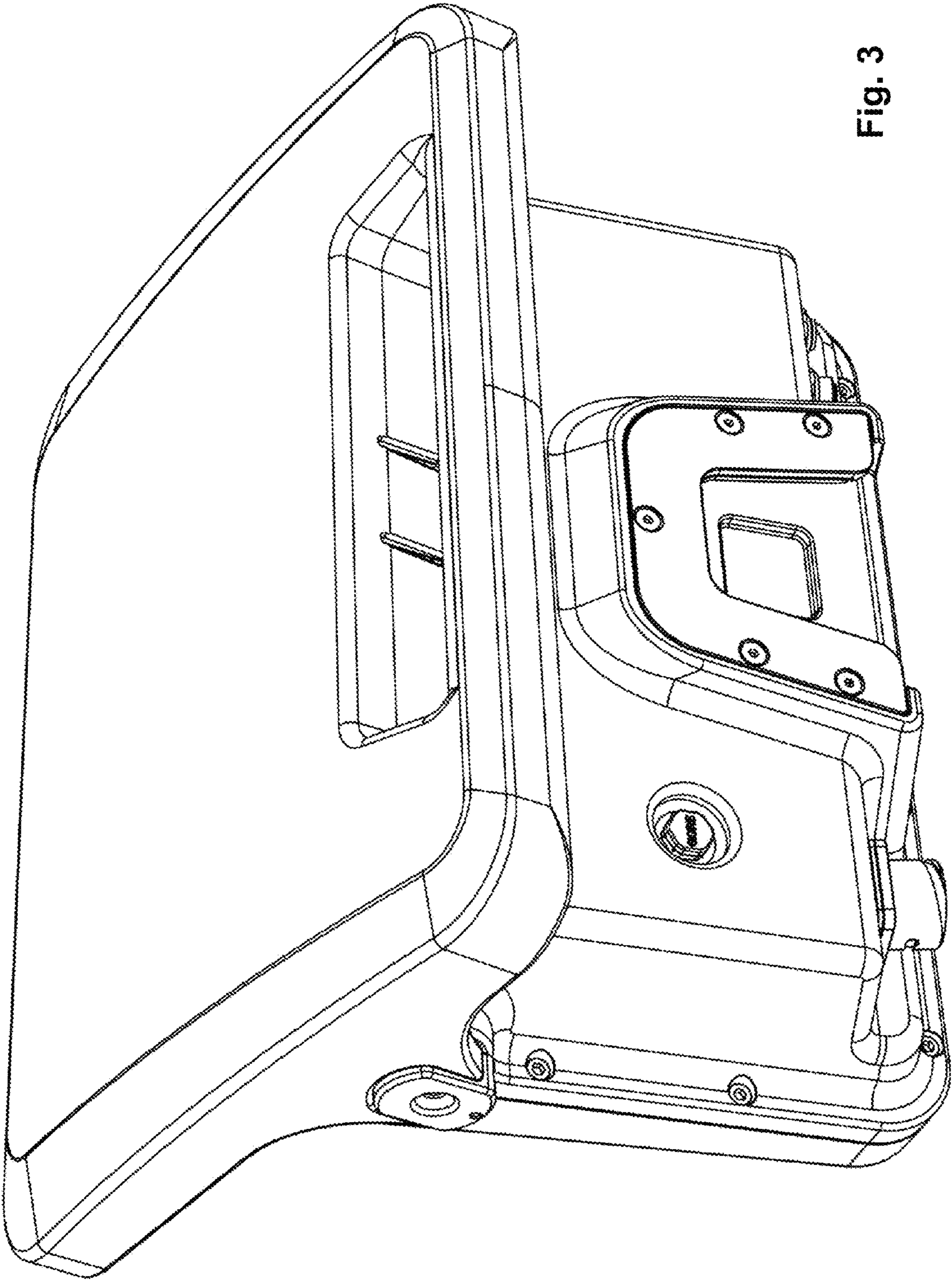


Fig. 3

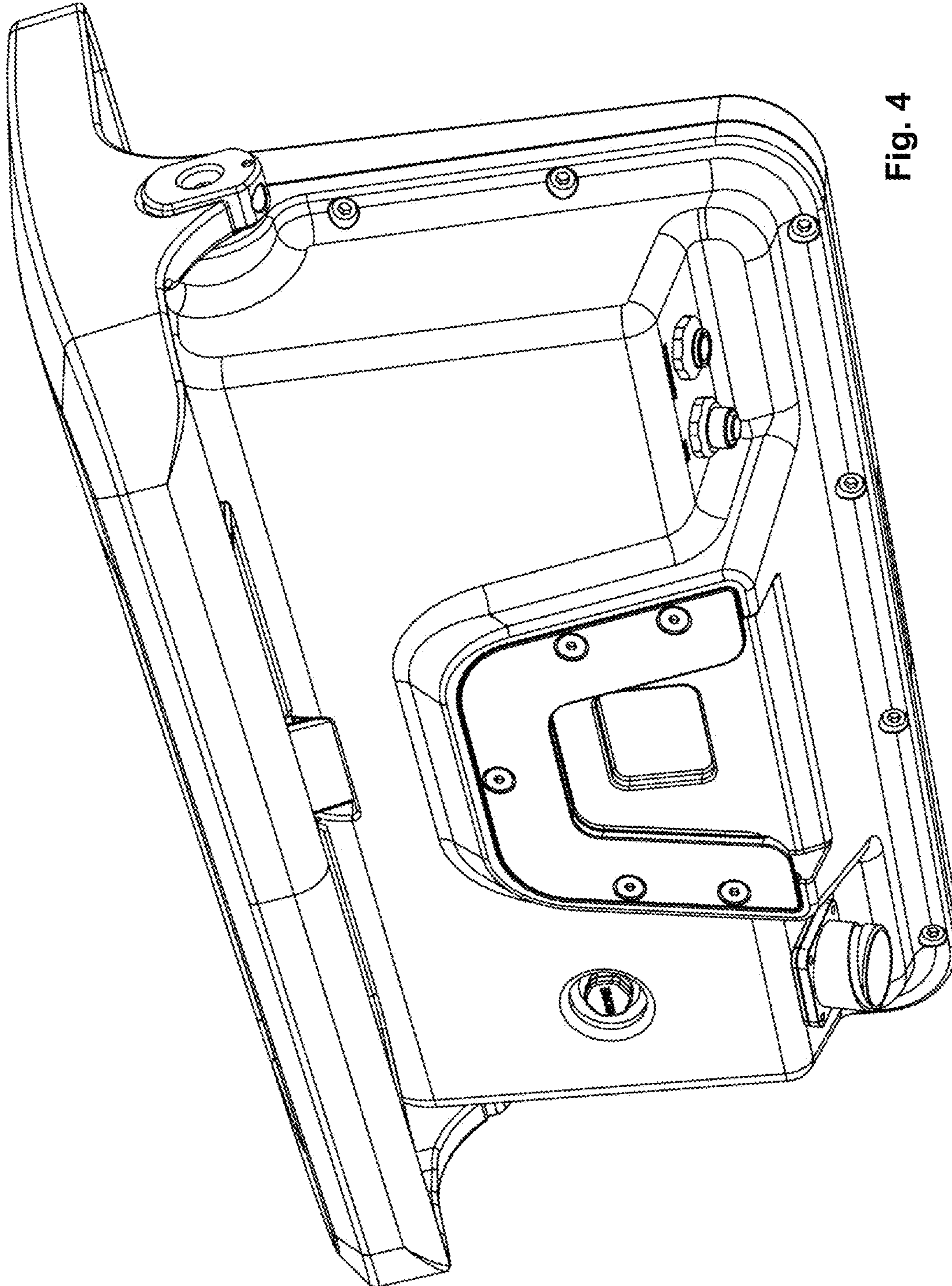


Fig. 4