

US00D735673S

(12) **United States Design Patent**  
**Stancato et al.**

(10) **Patent No.:** **US D735,673 S**  
(45) **Date of Patent:** **\*\* Aug. 4, 2015**

(54) **CONNECTOR**

(71) Applicant: **General Electric Company,**  
Schenectady, NY (US)

(72) Inventors: **Nicholas Anthony Stancato,** Syracuse,  
NY (US); **Kevin Andrew Coombs,**  
Syracuse, NY (US); **Joshua Paul David**  
**DeRosa,** Auburn, NY (US)

(73) Assignee: **General Electric Company,**  
Schenectady, NY (US)

(\*\*) Term: **14 Years**

(21) Appl. No.: **29/477,530**

(22) Filed: **Dec. 23, 2013**

(51) **LOC (10) Cl.** ..... **13-03**

(52) **U.S. Cl.**  
USPC ..... **D13/147; D10/103**

(58) **Field of Classification Search**  
USPC ..... D13/147, 154, 184, 199; D10/46, 74,  
D10/75, 80, 94, 103, 121  
See application file for complete search history.

(56) **References Cited**

**U.S. PATENT DOCUMENTS**

D196,044	S	*	8/1963	Malk	.....	D10/81
D196,509	S	*	10/1963	Schmidt	.....	D10/80
D230,355	S	*	2/1974	Broek	.....	D10/46
D237,596	S	*	11/1975	Jack	.....	D10/75
6,007,939	A		12/1999	Clowers		
6,099,097	A		8/2000	Hocker et al.		
6,272,717	B1		8/2001	Saraydar		
6,656,626	B1		12/2003	Mooty et al.		
6,670,808	B2		12/2003	Nath et al.		
6,697,764	B2		2/2004	Corby, Jr. et al.		
6,890,196	B2		5/2005	Vila		
7,902,990	B2		3/2011	Delmonico et al.		
8,100,440	B2		1/2012	Yu		
8,217,646	B2		7/2012	Karpen		

8,276,989	B2	10/2012	Rogers et al.	
8,310,604	B2	11/2012	Delmonico et al.	
8,343,115	B2	1/2013	Lynch et al.	
8,368,749	B2	2/2013	Lambdin et al.	
2005/0129108	A1	6/2005	Bendall et al.	
2015/0055297	A1*	2/2015	Chilek et al.	..... 361/697

**OTHER PUBLICATIONS**

GE Measurement & Control Solutions; XLG3 Video Probe, Inspection Technologies, 2012, 16 pages.

GE Measurement & Control, XL Go+ Video Probe, Inspection Technologies, 2012, 16 pages.

\* cited by examiner

*Primary Examiner* — Daniel Bui

(74) *Attorney, Agent, or Firm* — Barclay Damon LLP

(57) **CLAIM**

The ornamental design for a connector, as shown and described.

**DESCRIPTION**

FIG. 1 is a front view of a connector showing our new design; FIG. 2 is an enlarged view of the claimed portion shown in FIG. 1;

FIG. 3 is a top perspective view thereof;

FIG. 4 is an enlarged view of the claimed portion shown in FIG. 3;

FIG. 5 is a bottom perspective view thereof;

FIG. 6 is an enlarged view of the claimed portion shown in FIG. 5;

FIG. 7 is a left side perspective view thereof;

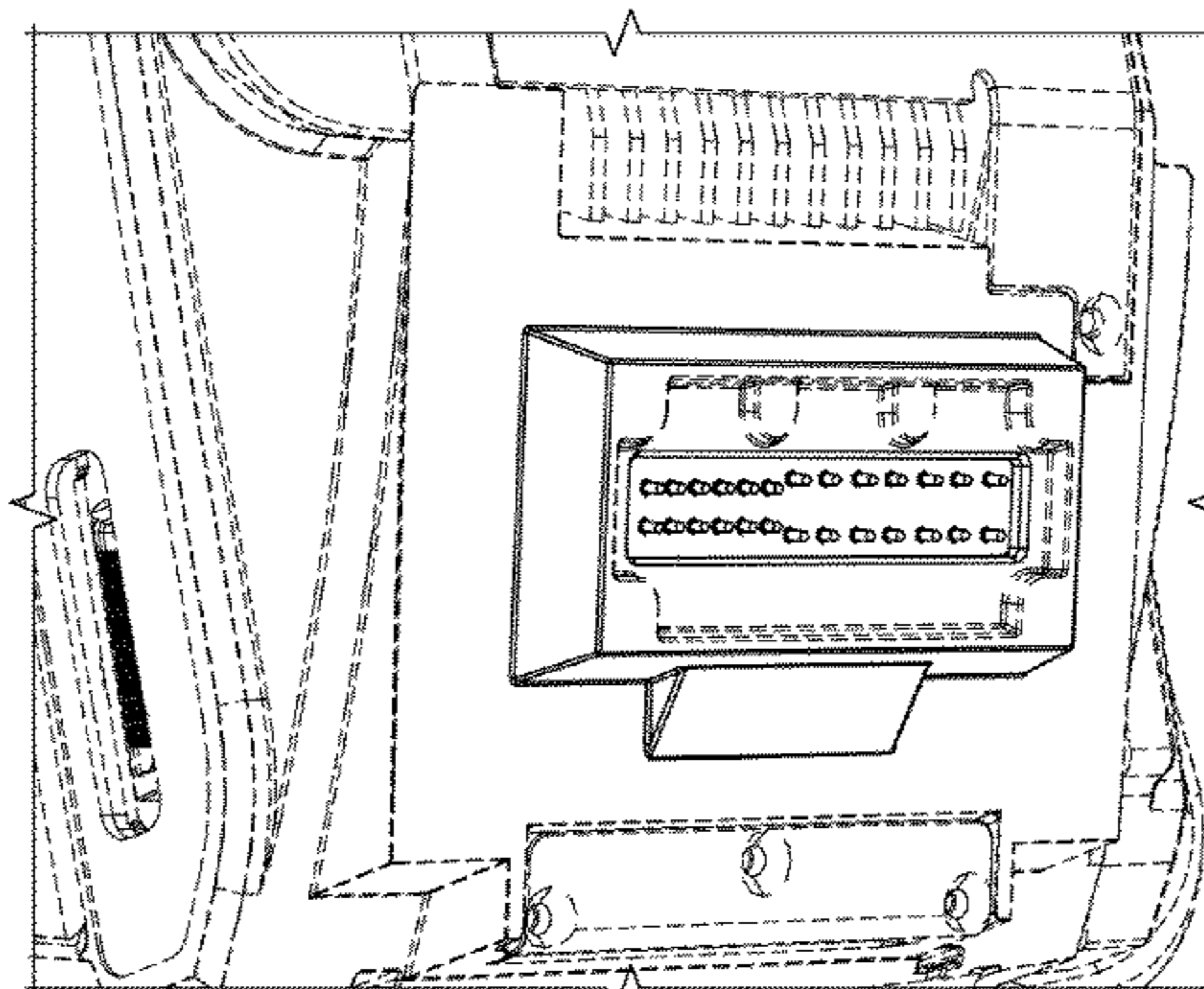
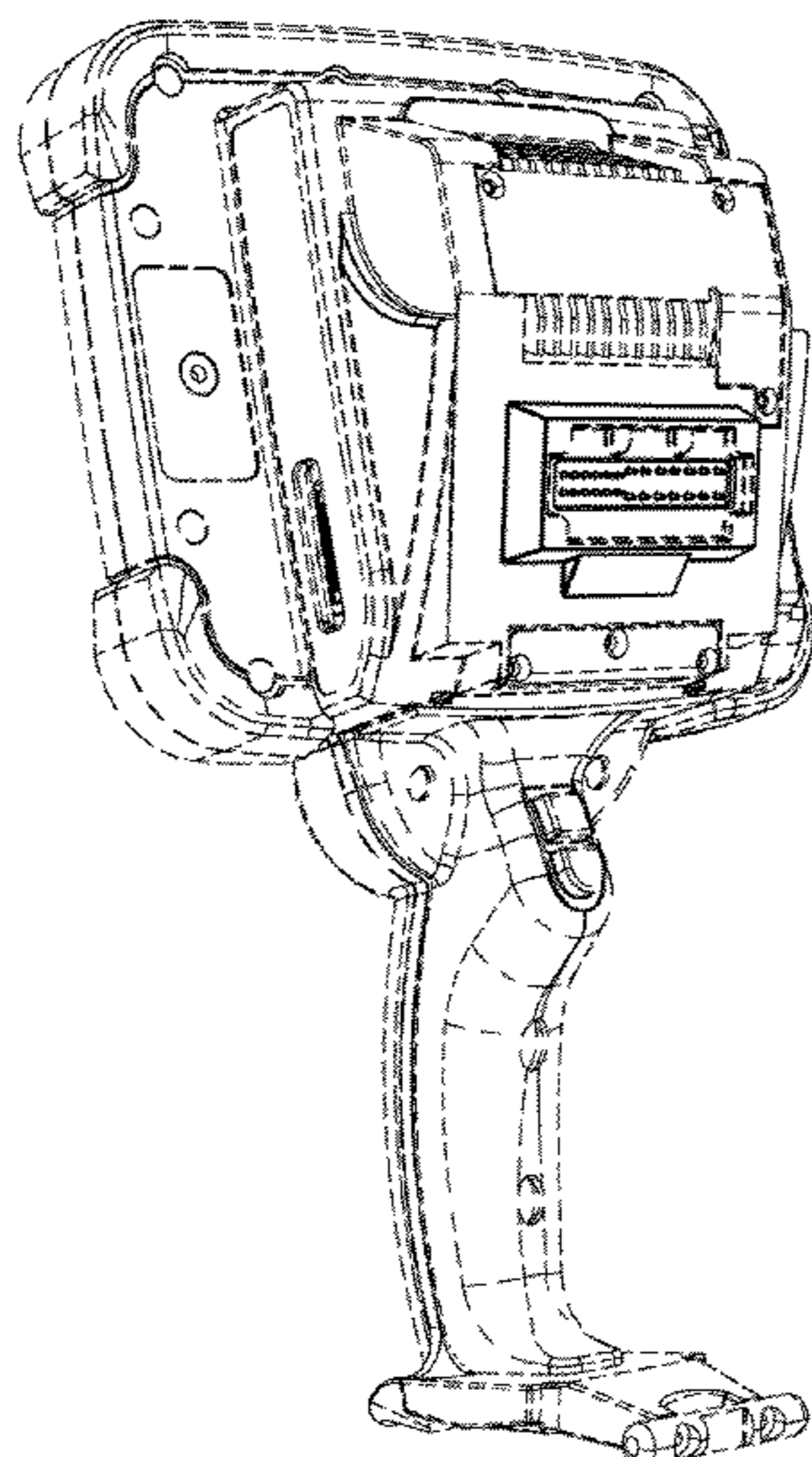
FIG. 8 is an enlarged view of the claimed portion shown in FIG. 7;

FIG. 9 is a right side perspective view thereof; and,

FIG. 10 is an enlarged view of the claimed portion shown in FIG. 9.

The broken line in the drawing views represents unclaimed environment and forms no part of the claimed design.

**1 Claim, 10 Drawing Sheets**



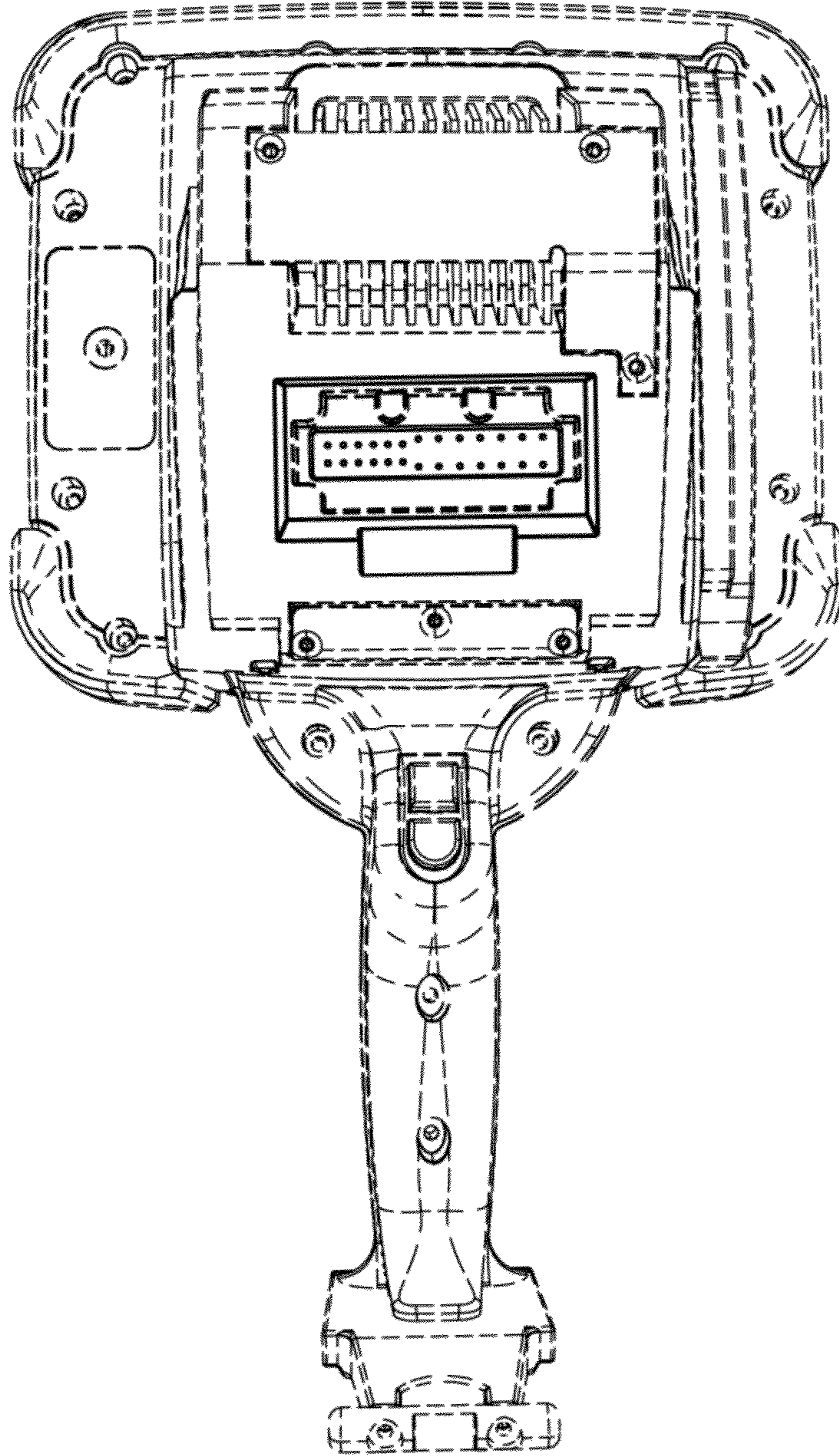


FIG. 1

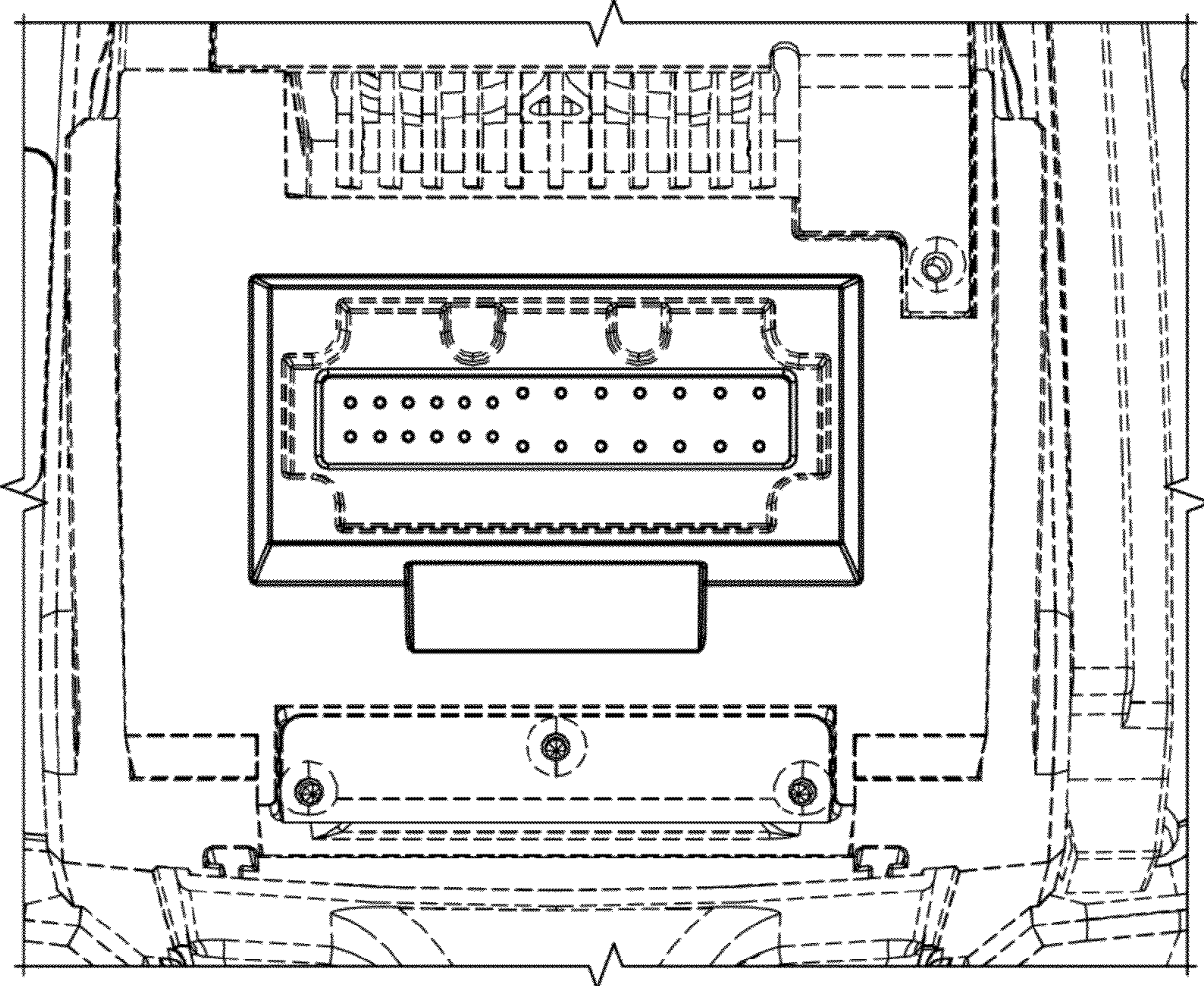


FIG. 2

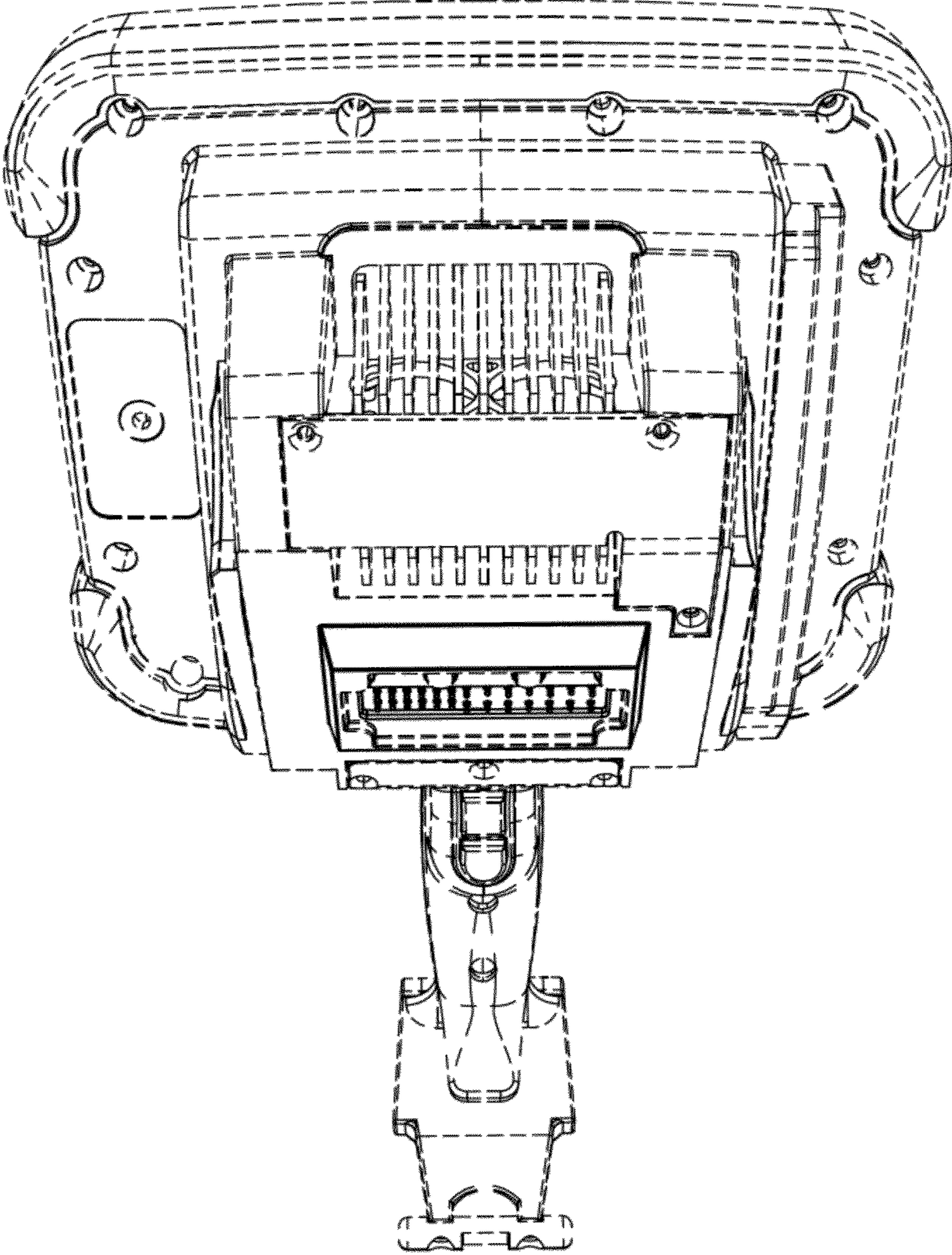


FIG. 3

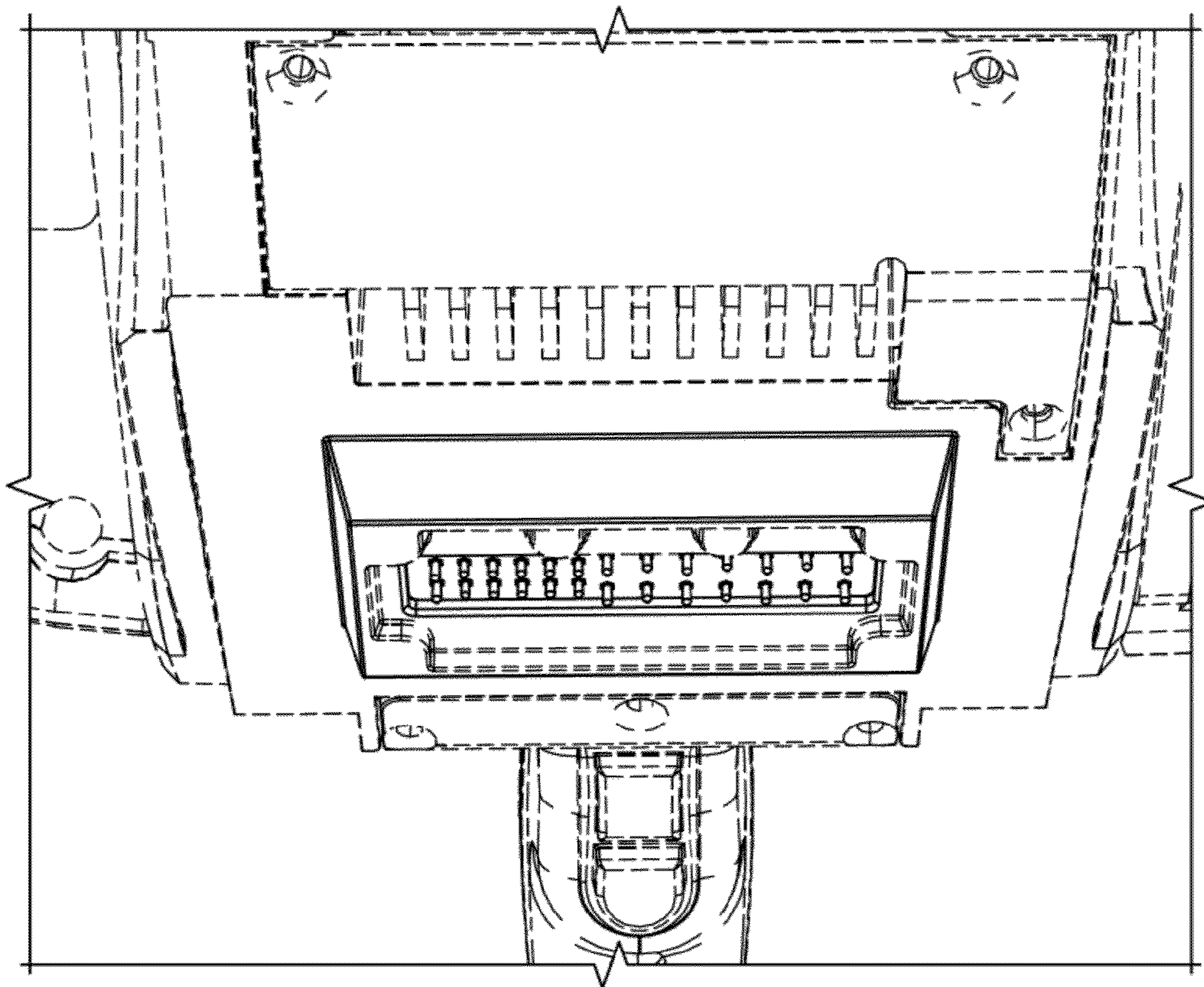


FIG. 4

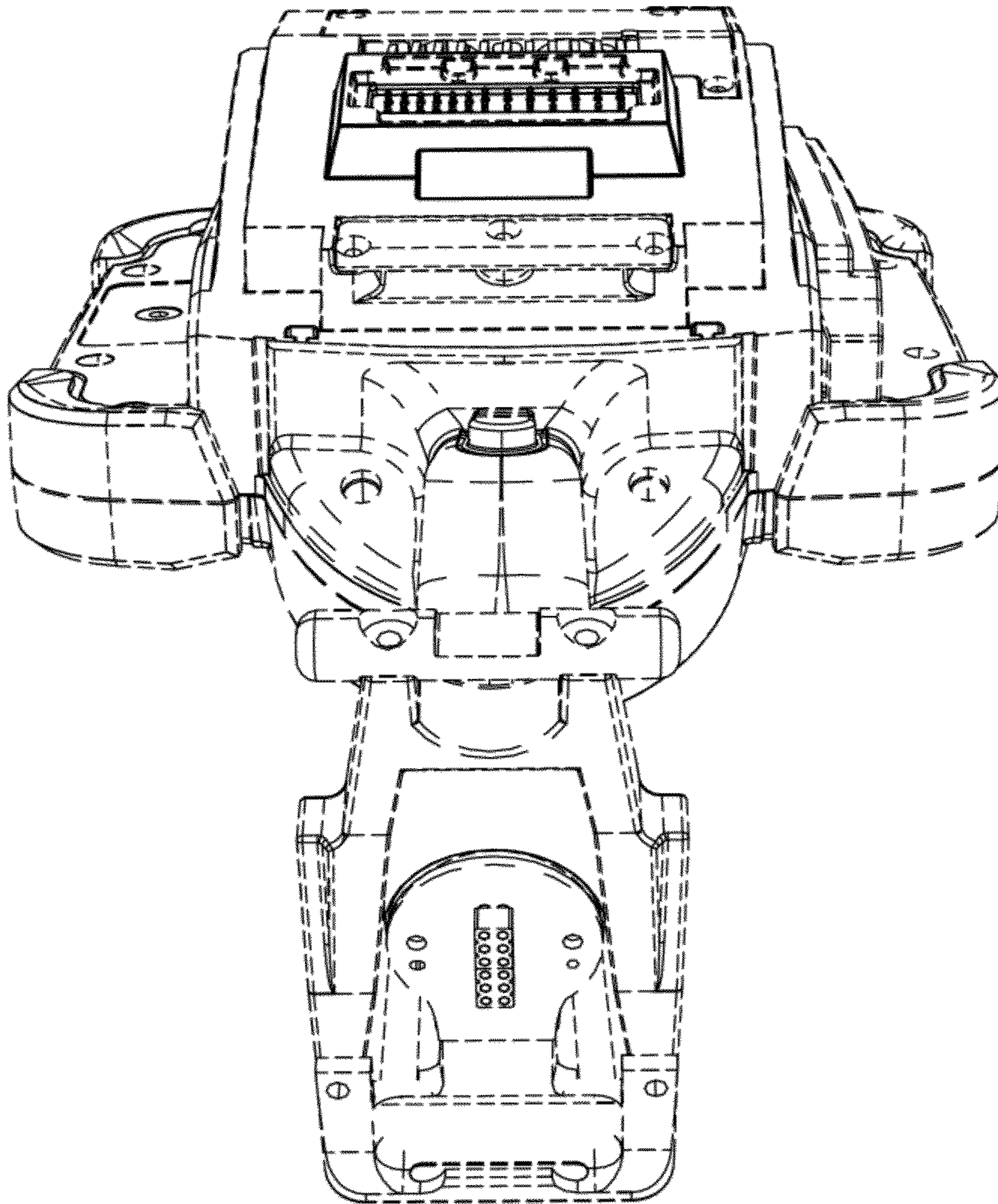


FIG. 5

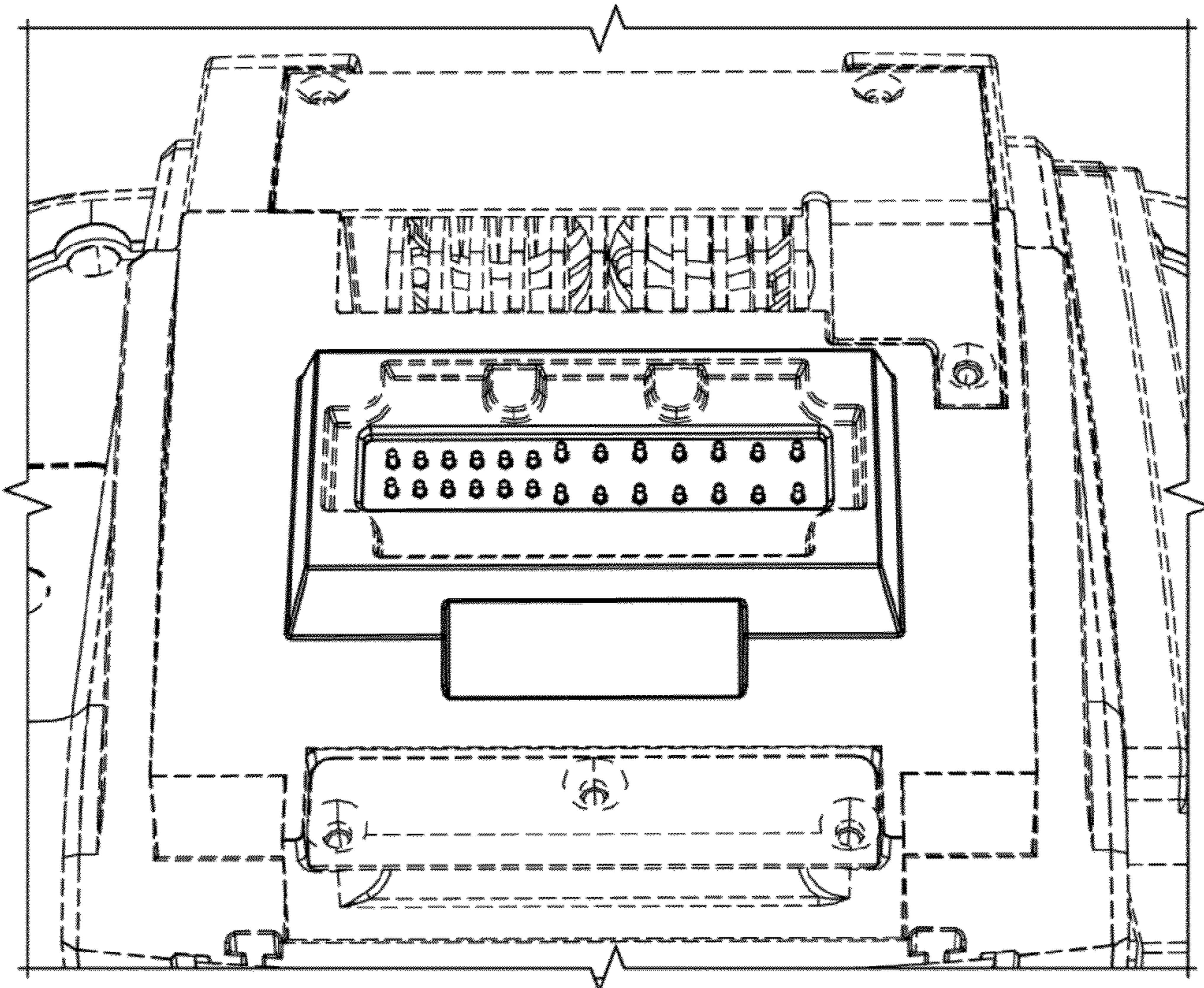


FIG. 6

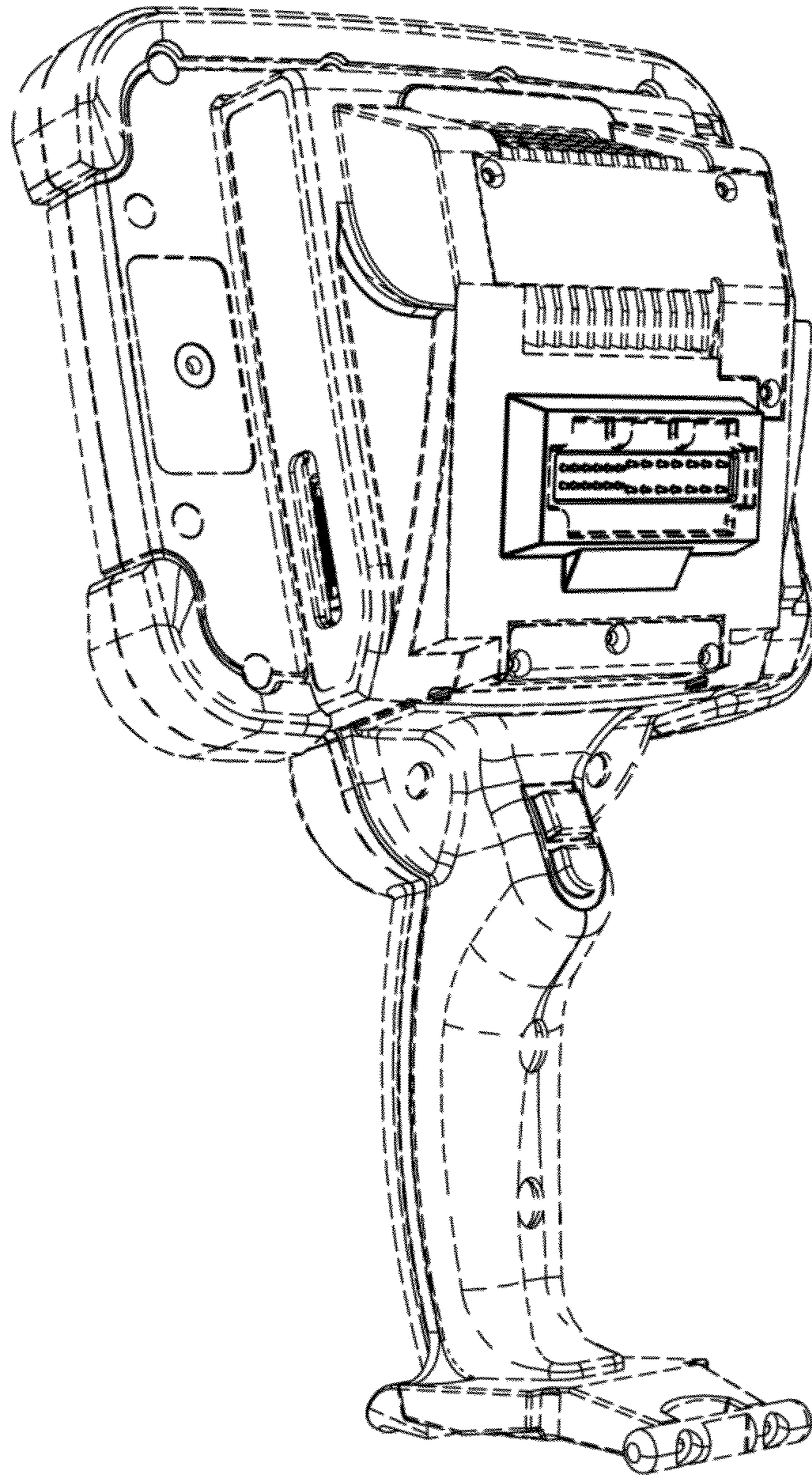


FIG. 7



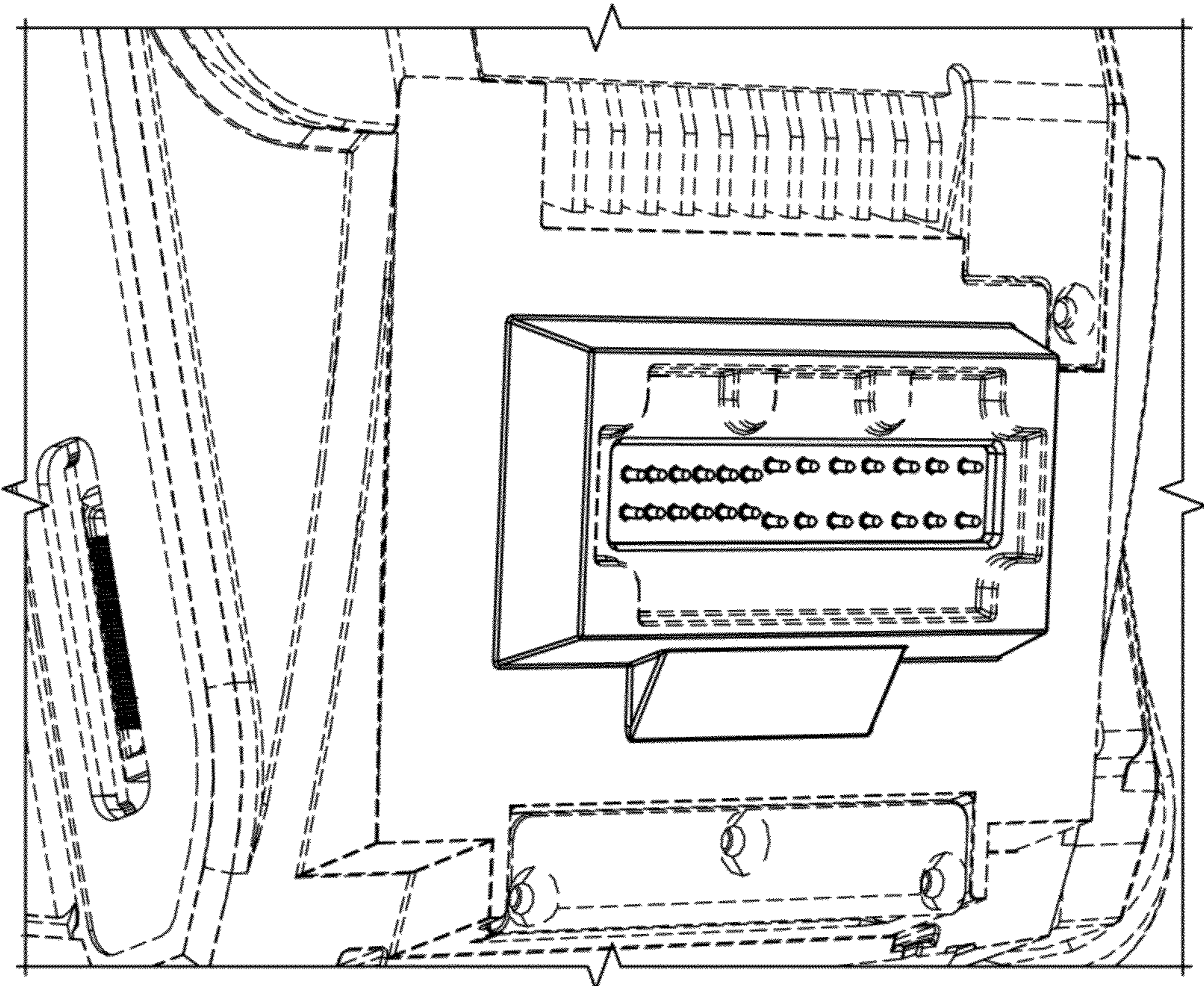


FIG. 8

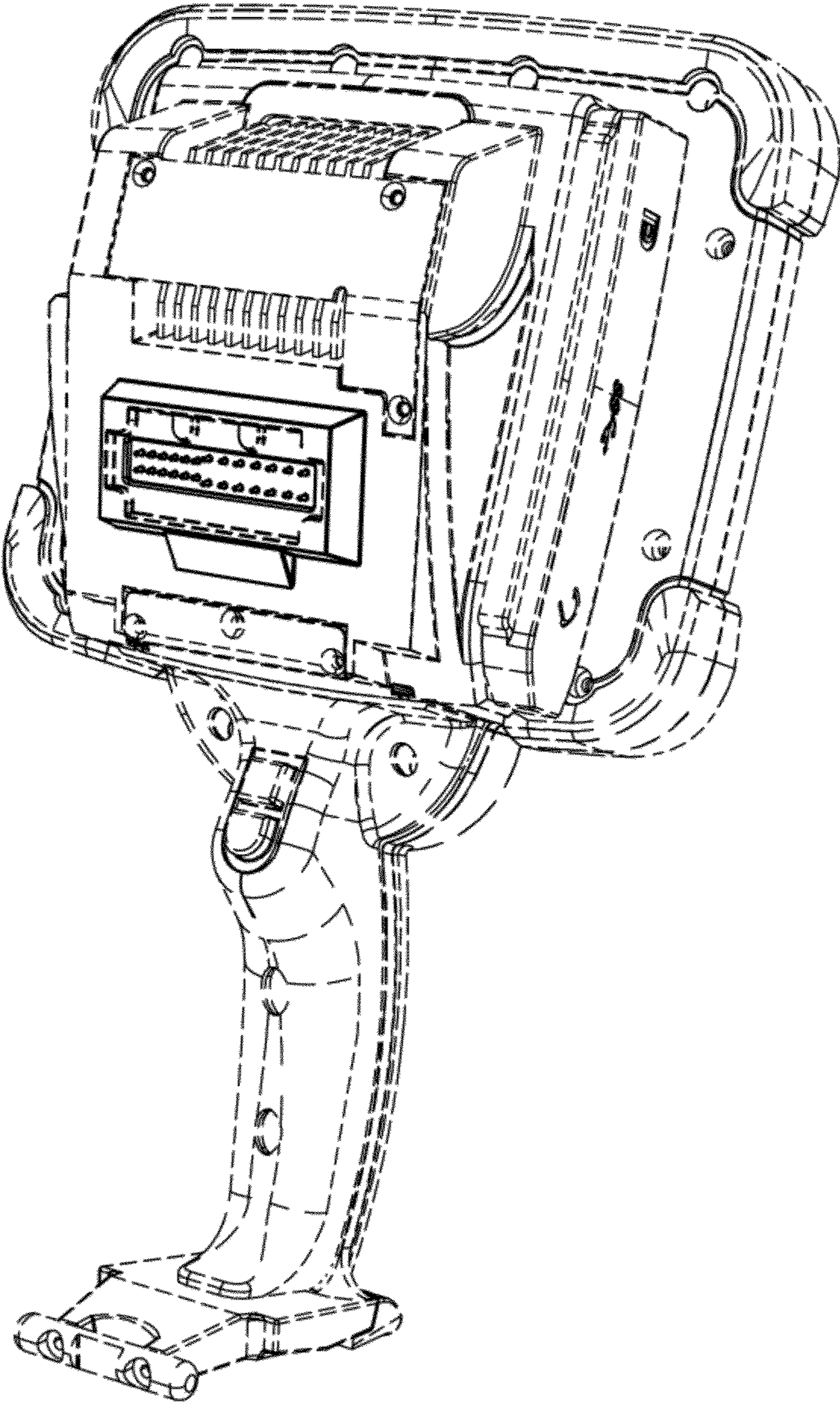


FIG. 9

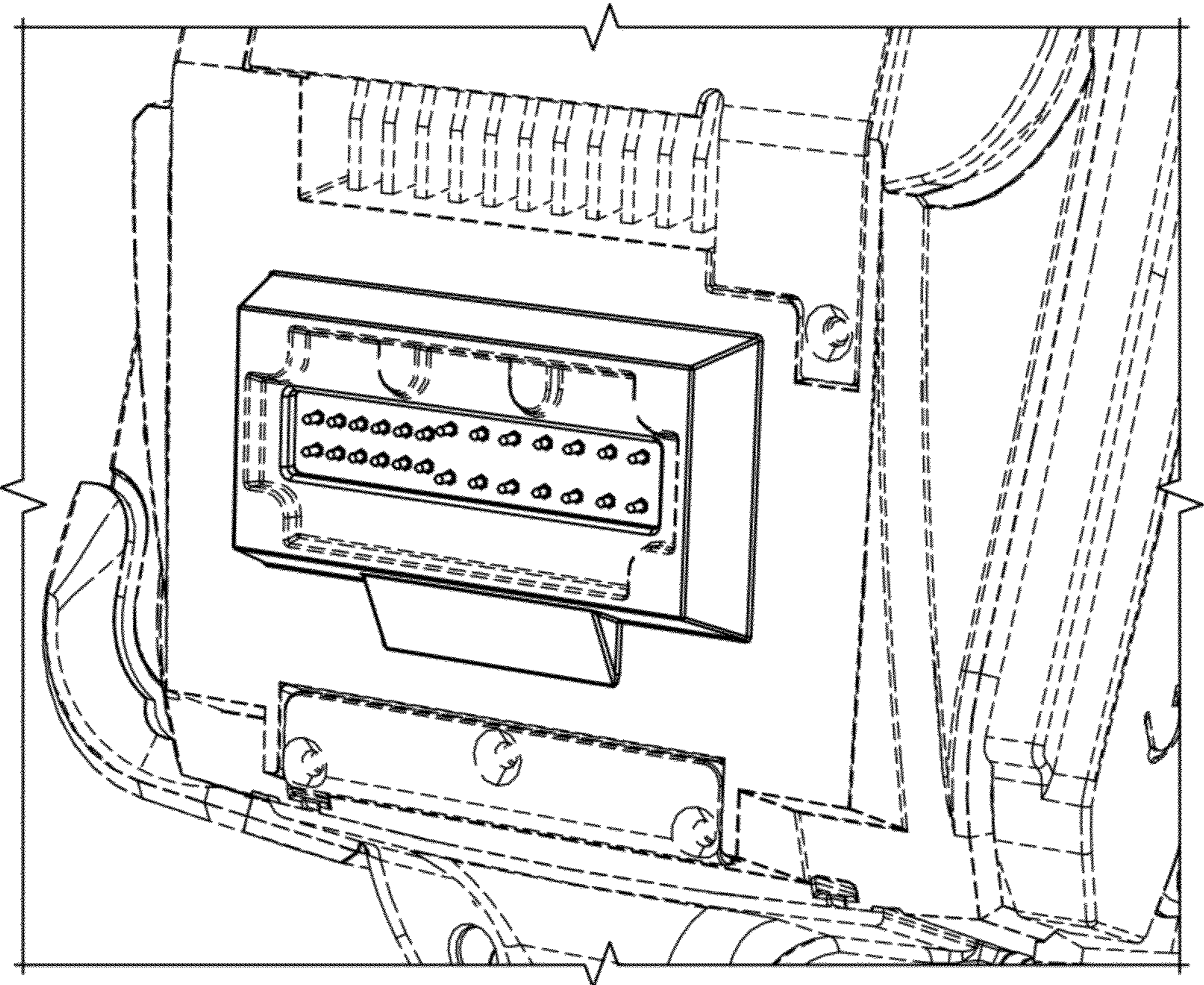


FIG. 10