



US00D735672S

(12) **United States Design Patent**  
**Chen et al.**

(10) **Patent No.:** **US D735,672 S**  
(45) **Date of Patent:** **\*\* Aug. 4, 2015**

(54) **CONNECTOR**

(71) Applicant: **IDEAL INDUSTRIES, INC.**,  
Sycamore, IL (US)

(72) Inventors: **Mu Chen**, Andover, MA (US); **Brian Francis Davies**, Acton, MA (US)

(73) Assignee: **IDEAL Industries, Inc.**, Sycamore, IL (US)

(\*\*) Term: **14 Years**

(21) Appl. No.: **29/484,260**

(22) Filed: **Mar. 7, 2014**

(51) **LOC (10) Cl.** ..... **13-03**

(52) **U.S. Cl.**  
USPC ..... **D13/146**

(58) **Field of Classification Search**  
USPC ..... D13/146, 147, 154, 184, 199; 439/266,  
439/345, 350, 352, 357, 358, 595, 626, 660,  
439/677, 680, 682, 752  
See application file for complete search history.

(56) **References Cited**

**U.S. PATENT DOCUMENTS**

D366,242 S \* 1/1996 Goto ..... D13/147  
D451,886 S \* 12/2001 Goto ..... D13/147

D457,194 S \* 5/2002 Goto ..... D21/333  
D479,199 S \* 9/2003 Jones et al. .... D13/147  
D483,017 S \* 12/2003 Goto ..... D13/147  
D646,223 S \* 10/2011 Gouhl et al. .... D13/146  
D653,620 S \* 2/2012 Gouhl et al. .... D13/146  
D660,801 S \* 5/2012 Smith ..... D13/146

\* cited by examiner

*Primary Examiner* — Daniel Bui

(74) *Attorney, Agent, or Firm* — Greenberg Traurig, LLP

(57) **CLAIM**

An ornamental design for a connector, as shown and described.

**DESCRIPTION**

FIG. 1 is a front perspective view of a connector showing our new invention;

FIG. 2 is a rear perspective view thereof;

FIG. 3 is a front view thereof;

FIG. 4 is a rear view thereof;

FIG. 5 is a top plan view thereof;

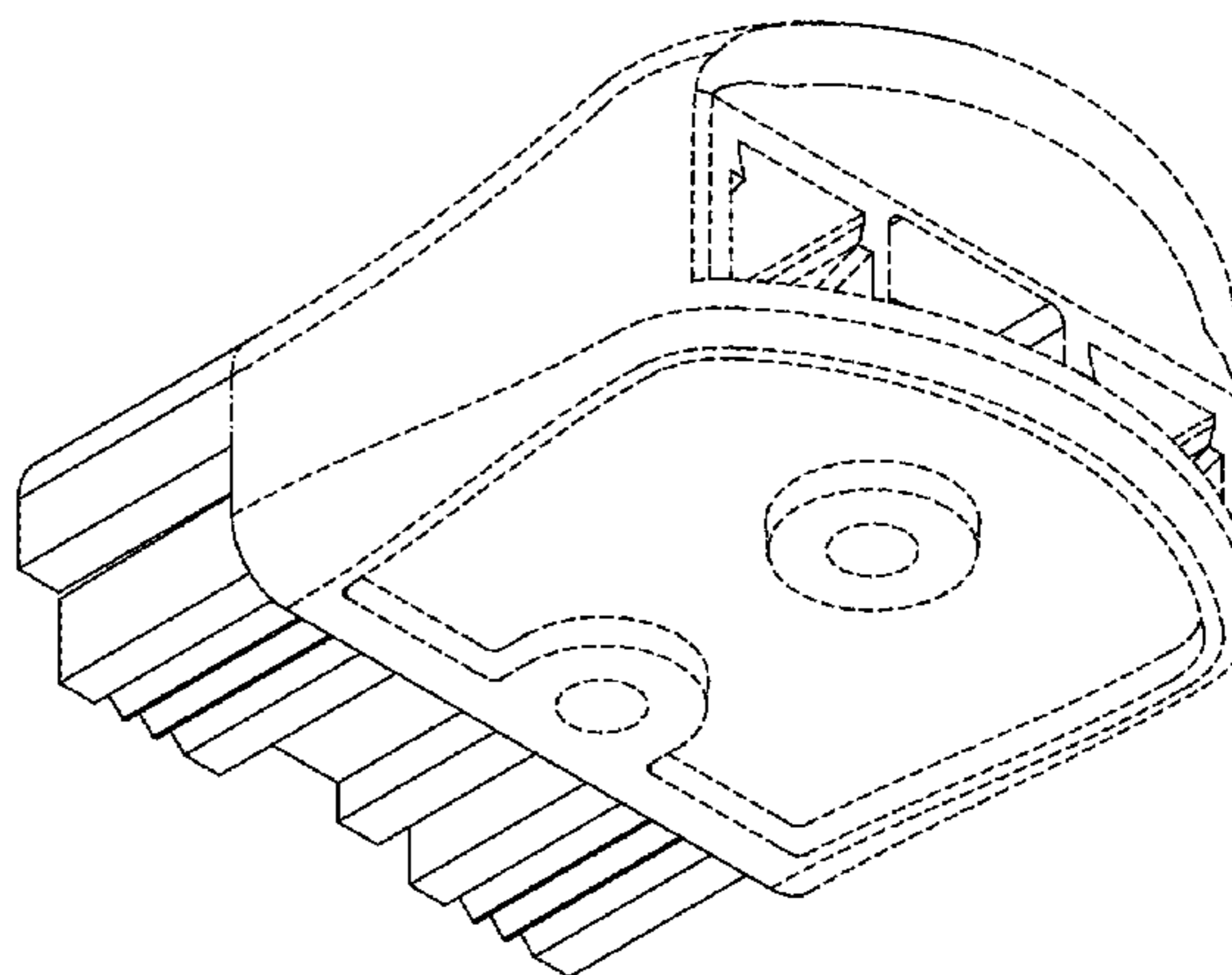
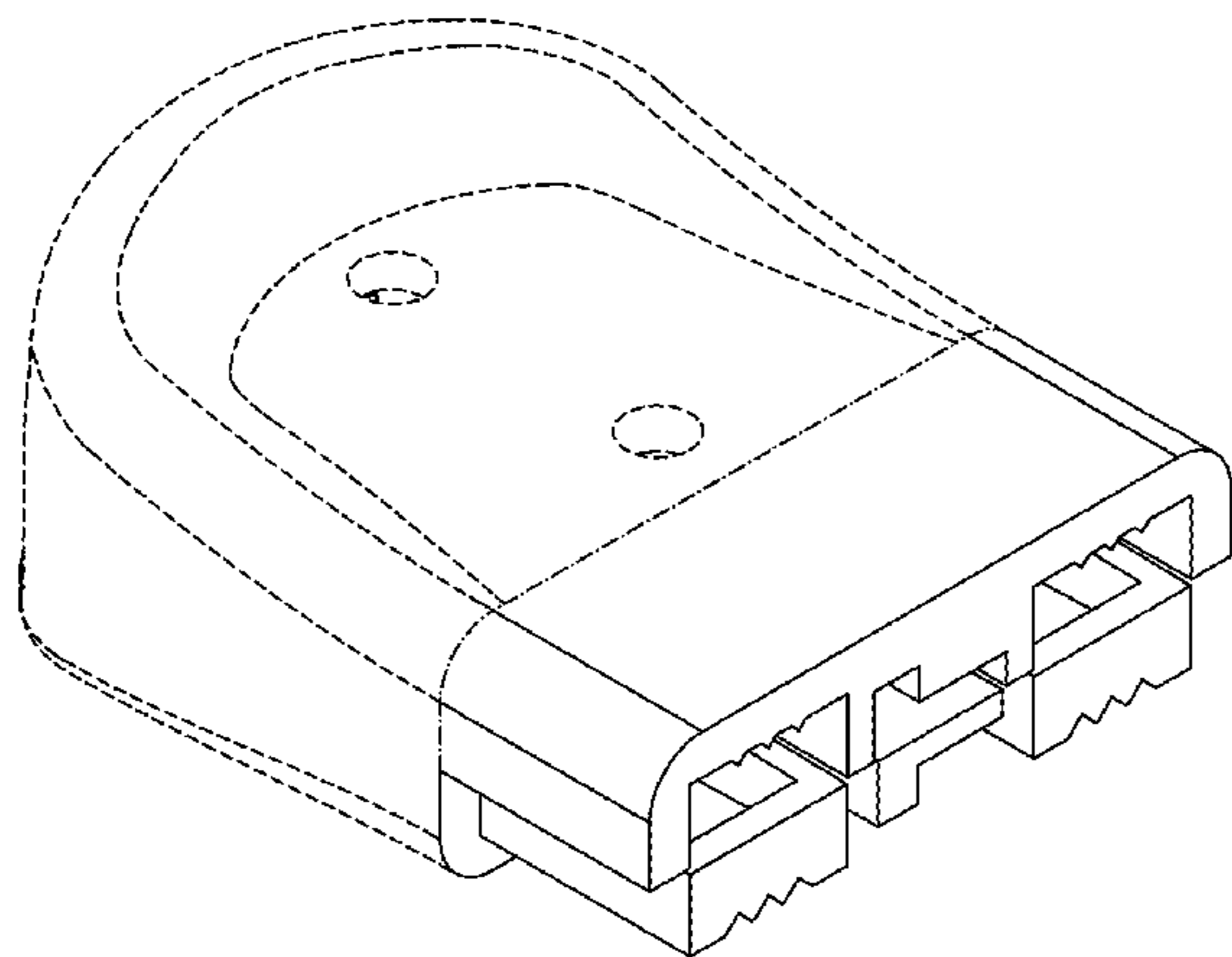
FIG. 6 is a bottom plan view thereof;

FIG. 7 is a left side view thereof; and,

FIG. 8 is a right side view thereof.

The broken line shown in the drawings represents unclaimed environment and forms no part of the claimed design. The dash-dot line represents the boundaries of the claimed design.

**1 Claim, 8 Drawing Sheets**



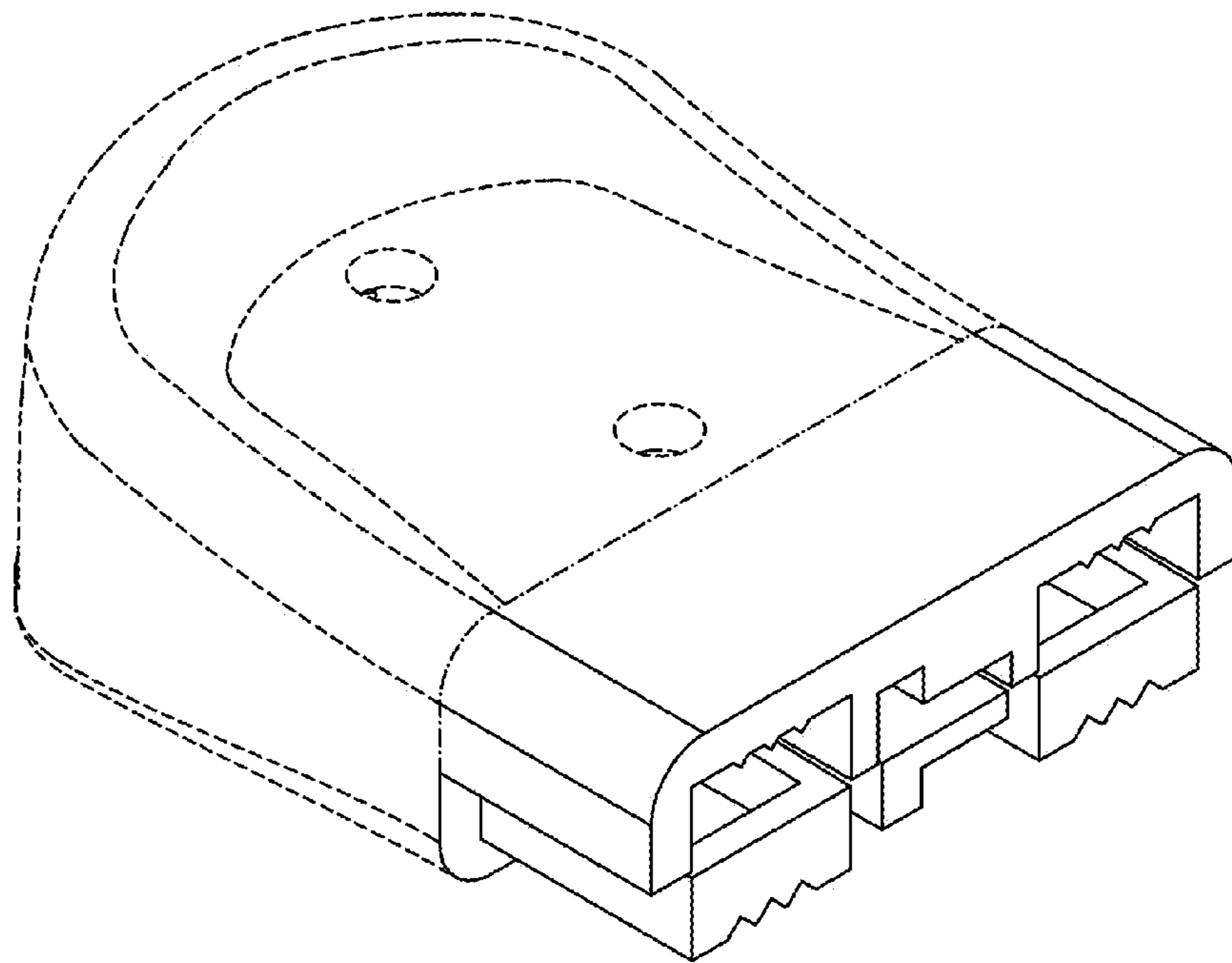


FIG. 1

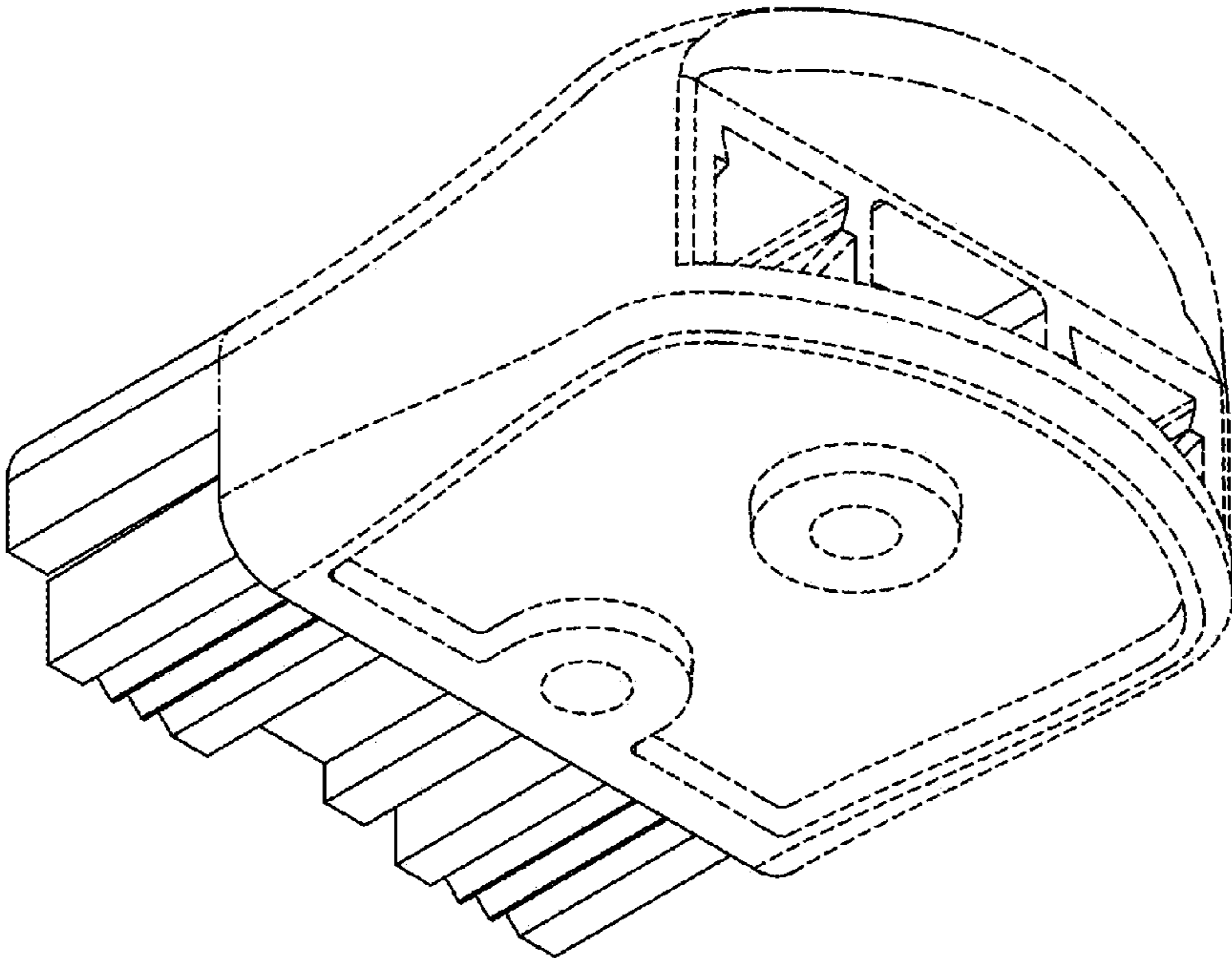


FIG. 2

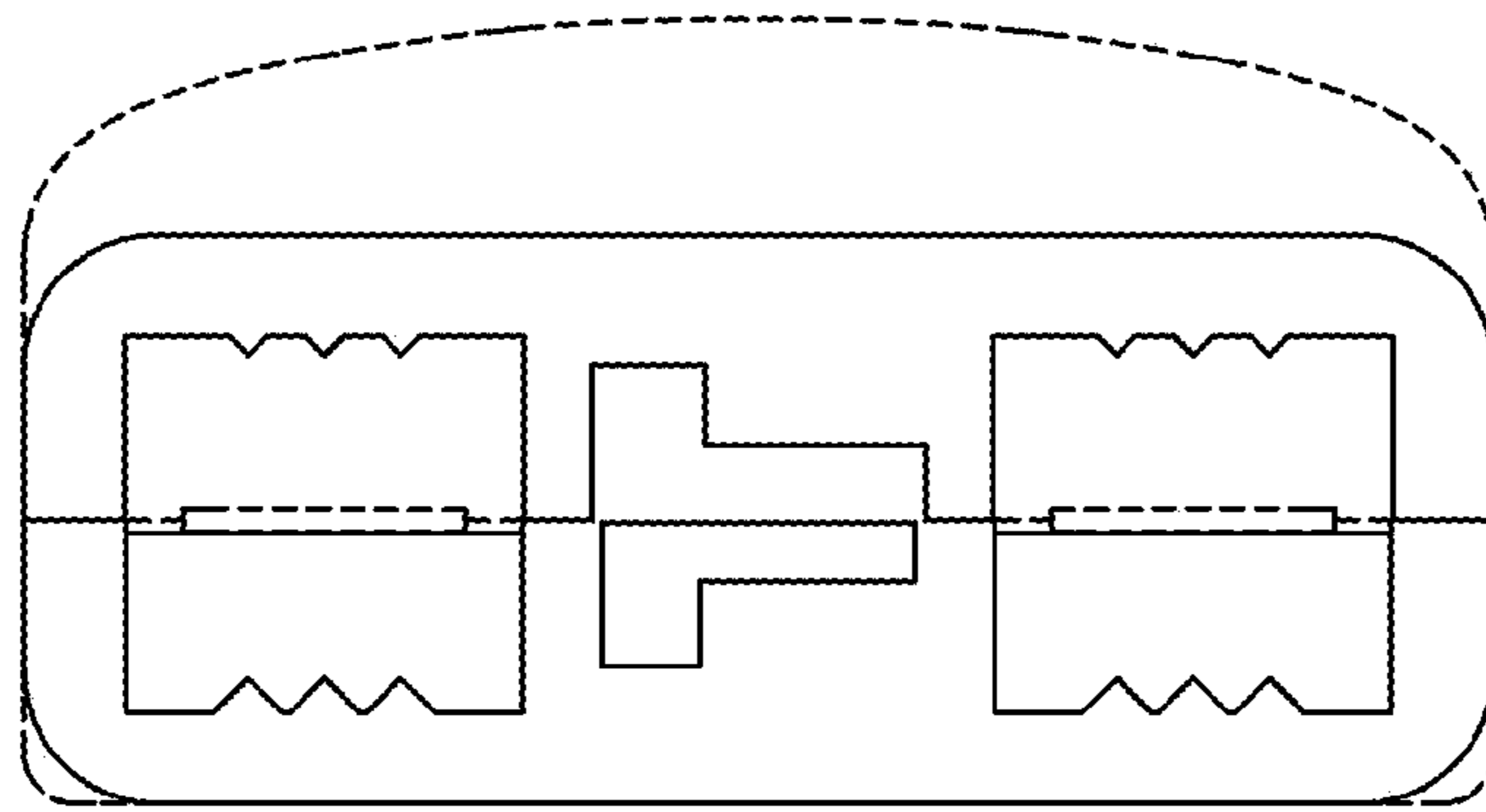


FIG. 3

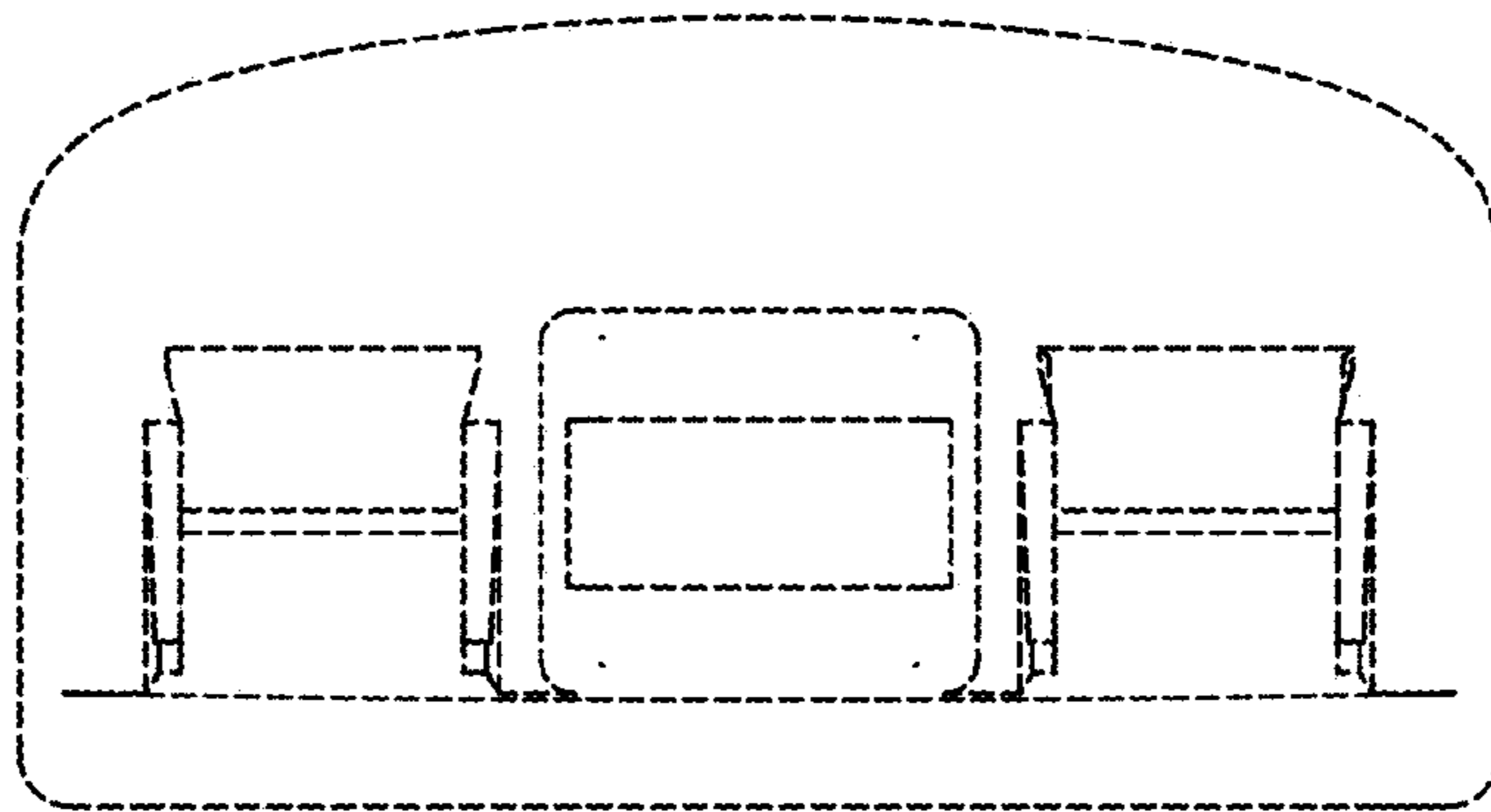


FIG. 4

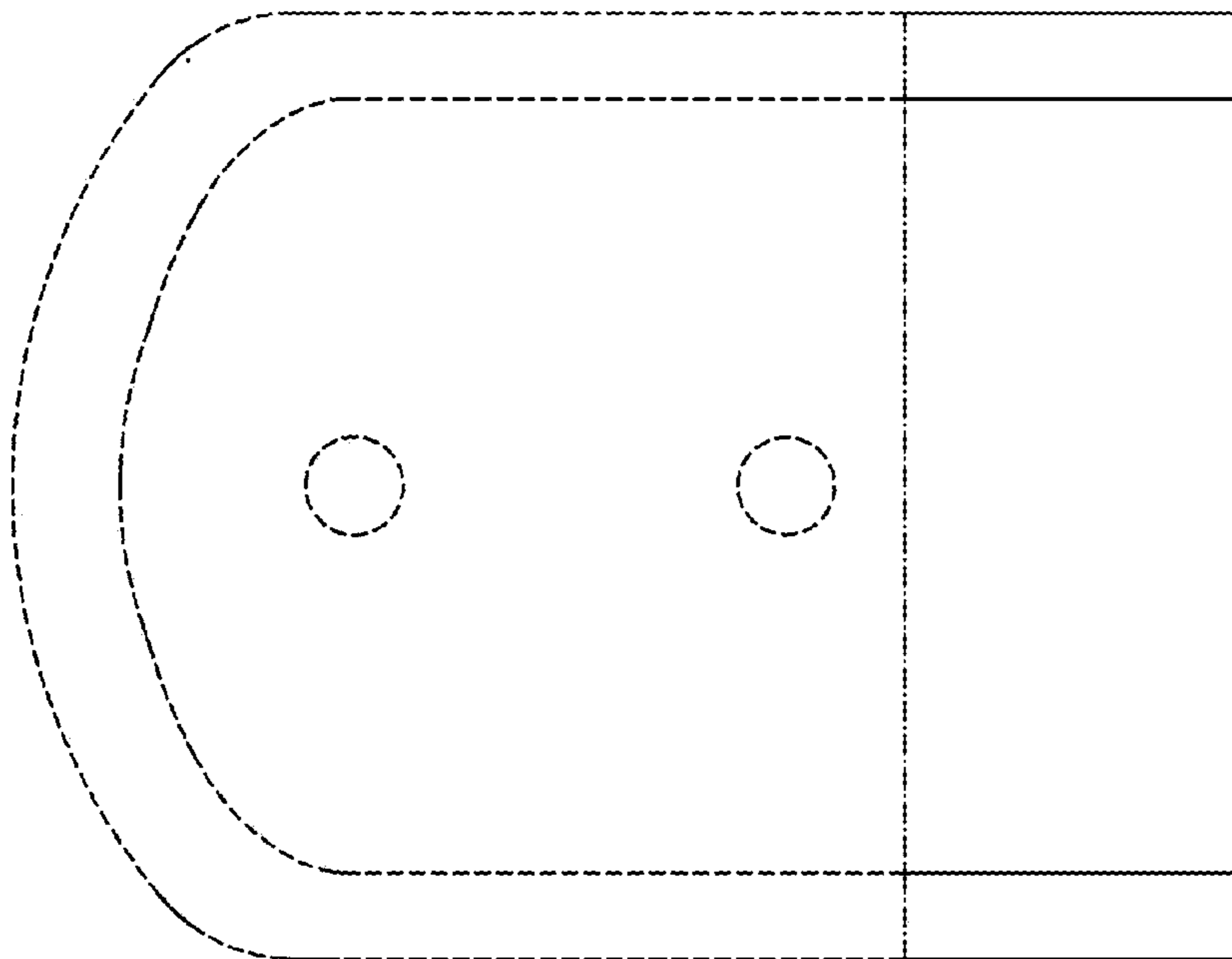


FIG. 5

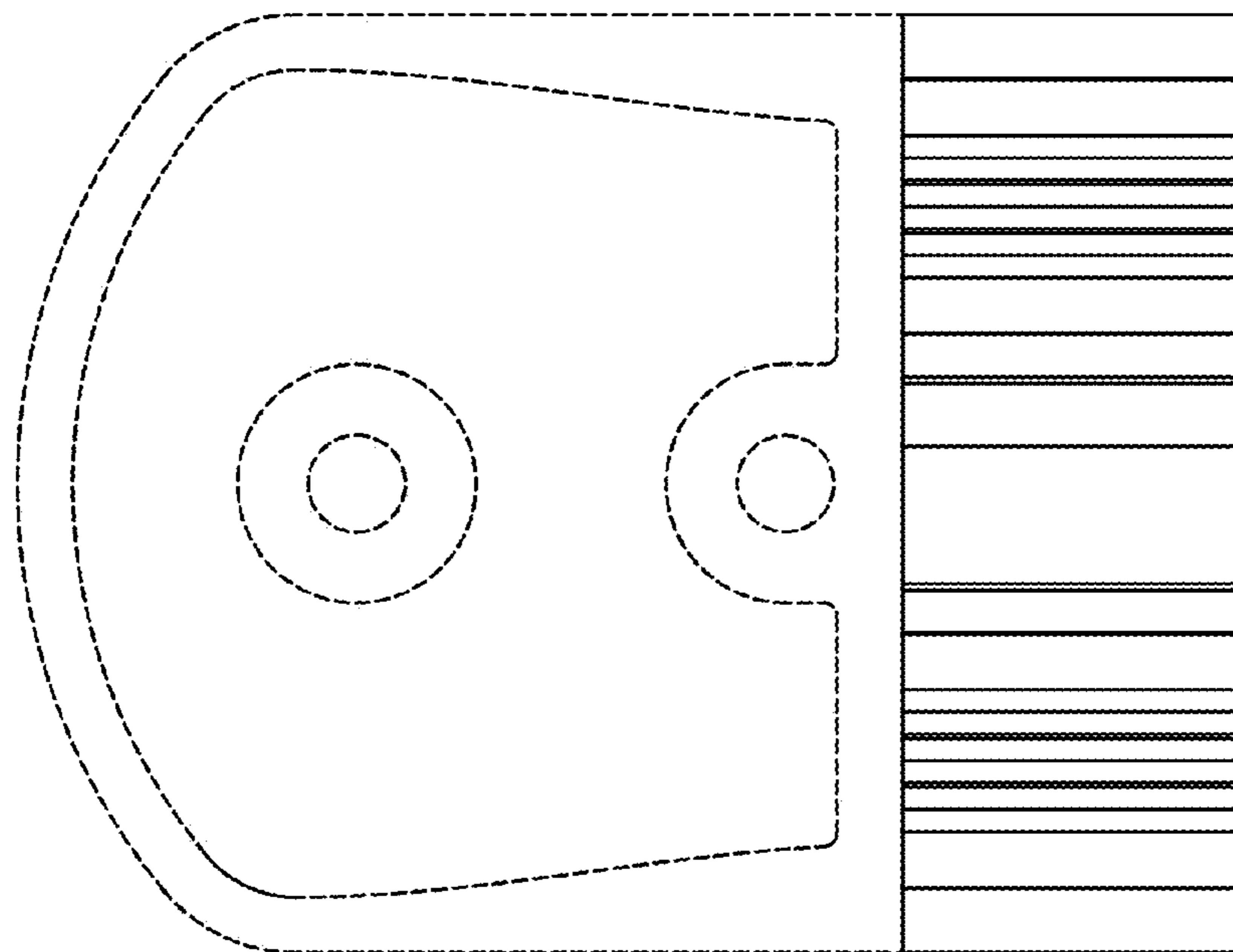


FIG. 6

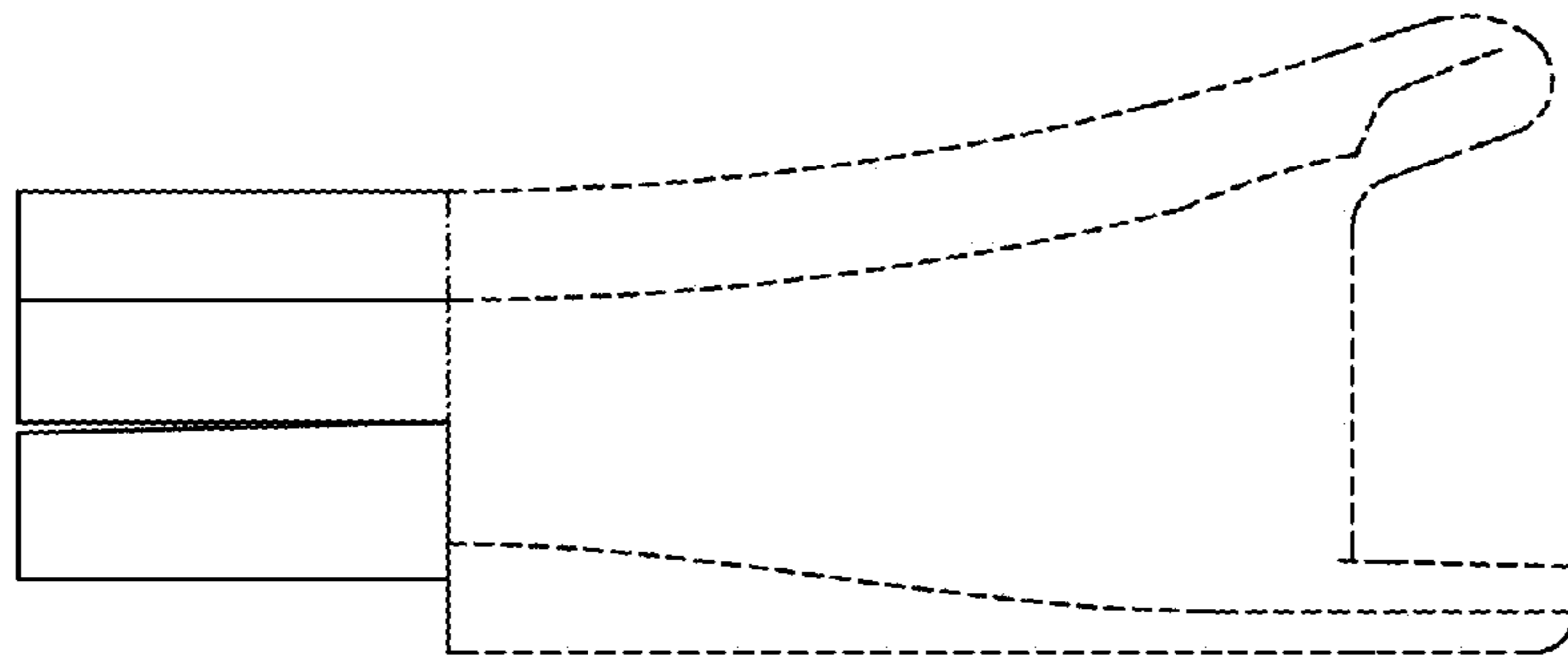


FIG. 7



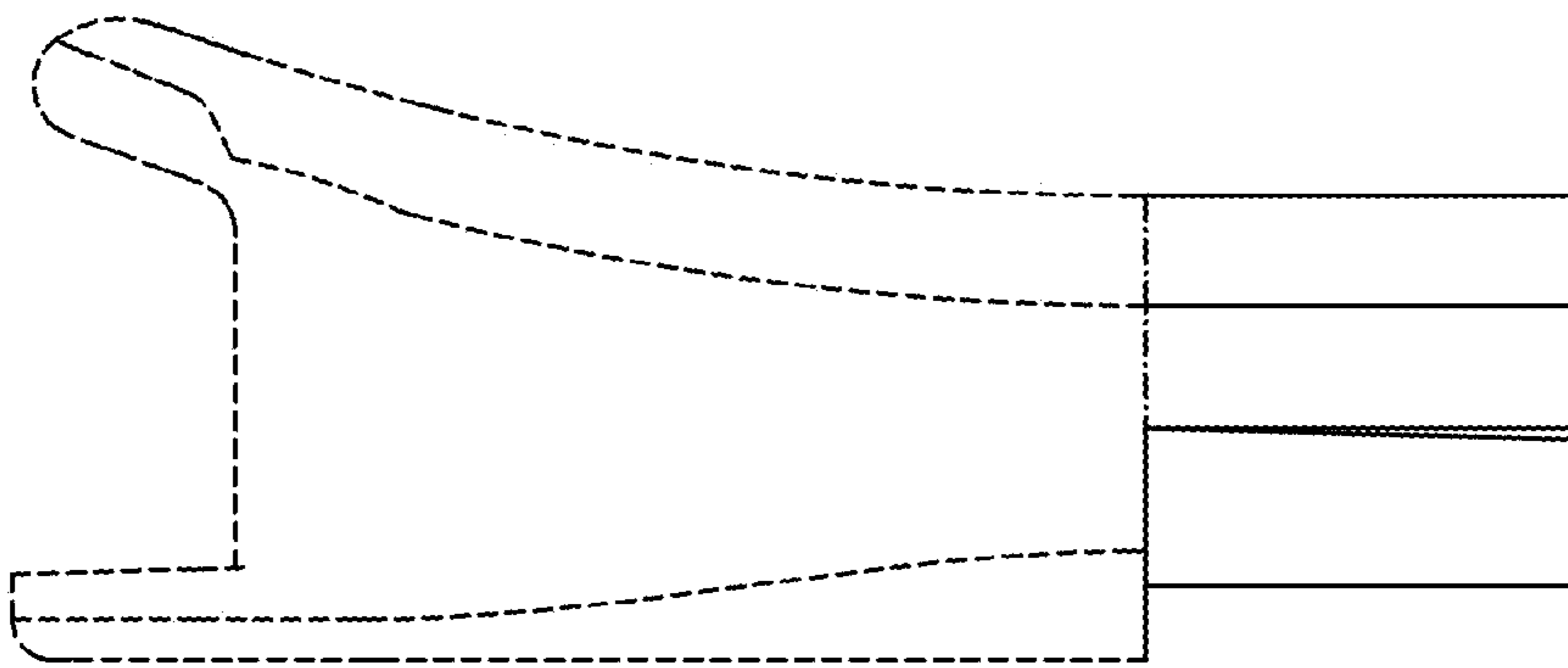


FIG. 8