



US00D735670S

(12) **United States Design Patent**
DeCosta

(10) **Patent No.:** **US D735,670 S**

(45) **Date of Patent:** **** Aug. 4, 2015**

(54) **POWER RECEPTACLE WITH REARWARD SCREW TERMINALS**

(71) Applicant: **Thomas DeCosta**, Westport, MA (US)

(72) Inventor: **Thomas DeCosta**, Westport, MA (US)

(**) Term: **14 Years**

(21) Appl. No.: **29/474,489**

(22) Filed: **Oct. 7, 2014**

(51) **LOC (10) Cl.** **13-03**

(52) **U.S. Cl.**
USPC **D13/146**

(58) **Field of Classification Search**
USPC D13/147, 154, 184, 199
See application file for complete search history.

(56) **References Cited**

U.S. PATENT DOCUMENTS

- D332,085 S * 12/1992 Bender D13/146
- D543,941 S * 6/2007 Hargreaves et al. D13/146
- D545,764 S * 7/2007 Allison D13/137.1

D687,778 S * 8/2013 Utz D13/133

* cited by examiner

Primary Examiner — Daniel Bui

(57) **CLAIM**

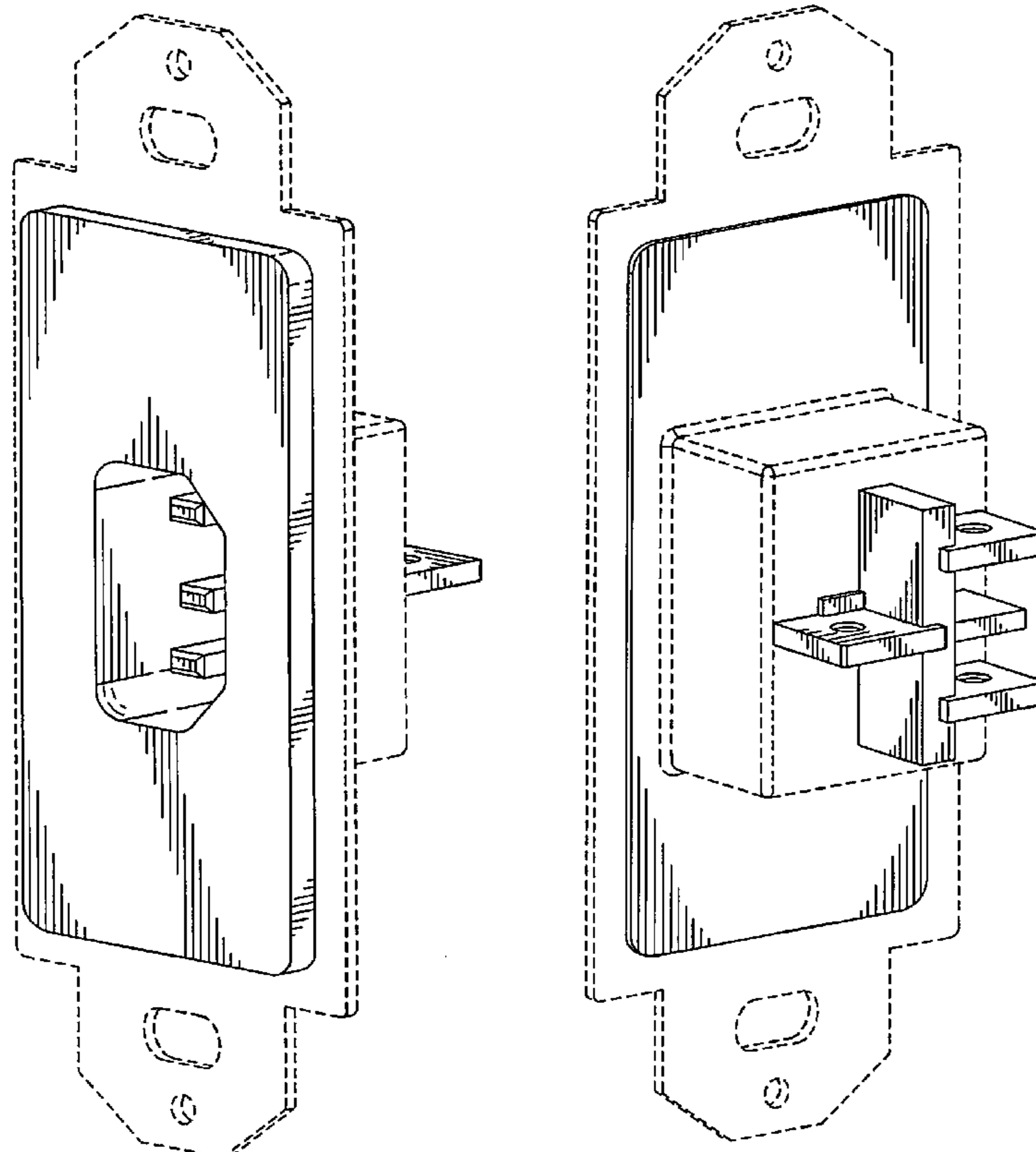
The ornamental design for a power receptacle with rearward screw terminals, as shown and described.

DESCRIPTION

FIG. 1 is a front perspective view of a power receptacle with rearward screw terminals, showing my new design;
 FIG. 2 is a rear perspective view thereof;
 FIG. 3 is a rear elevation view thereof;
 FIG. 4 is a front elevation view thereof;
 FIG. 5 is a right side elevation view thereof;
 FIG. 6 is a left side elevation view thereof;
 FIG. 7 is a top elevation view thereof;
 FIG. 8 is a bottom elevation view thereof;
 FIG. 9 is a rear perspective view thereof, in use condition; and,
 FIG. 10 is a rear elevation view thereof.

The broken line in the figure drawings is included for the purpose of illustrating unclaimed environment only and forms no part of the claimed design.

1 Claim, 9 Drawing Sheets



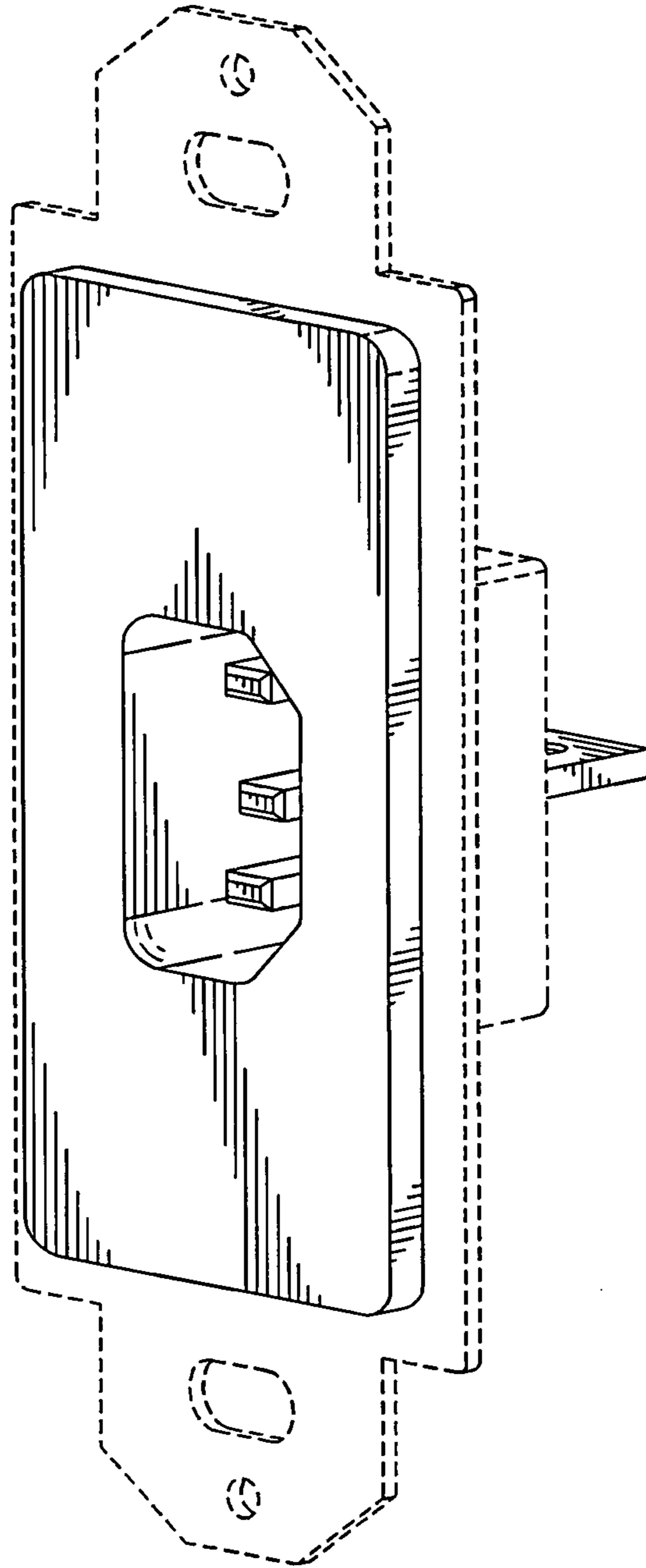


FIG. 1

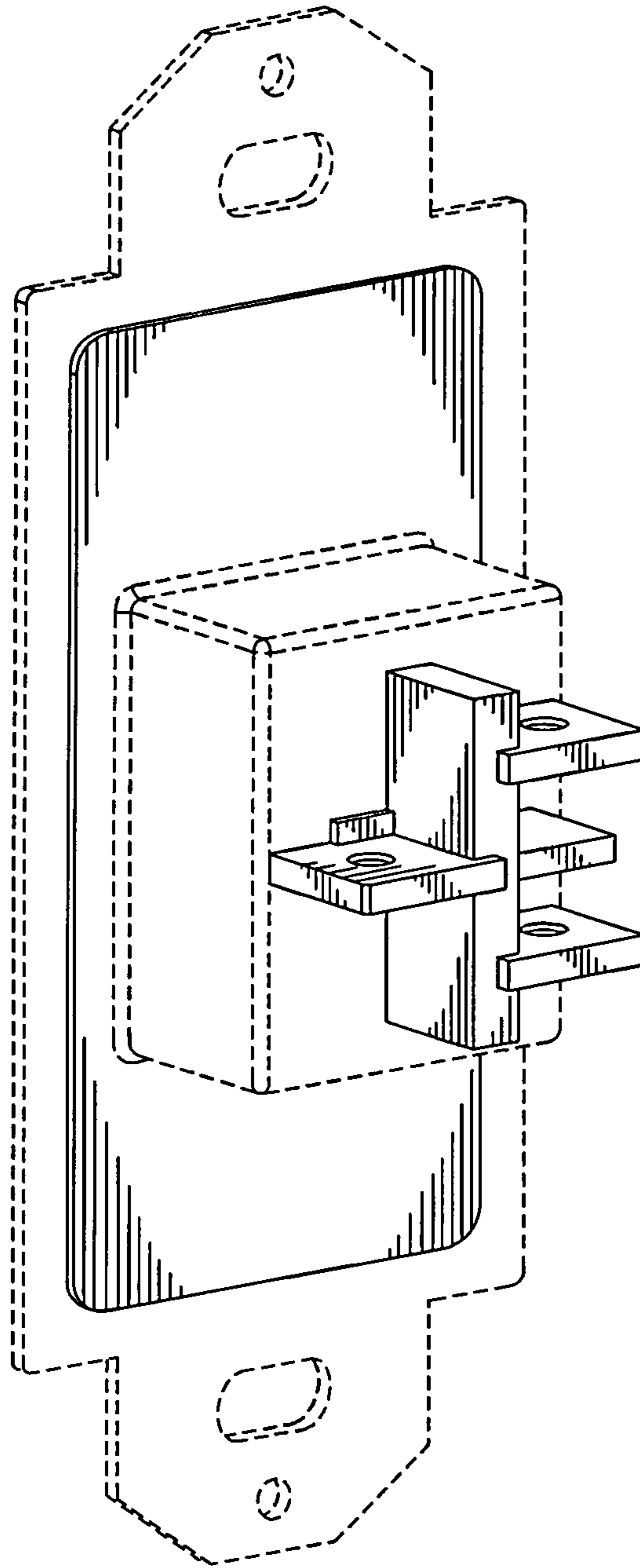


FIG. 2

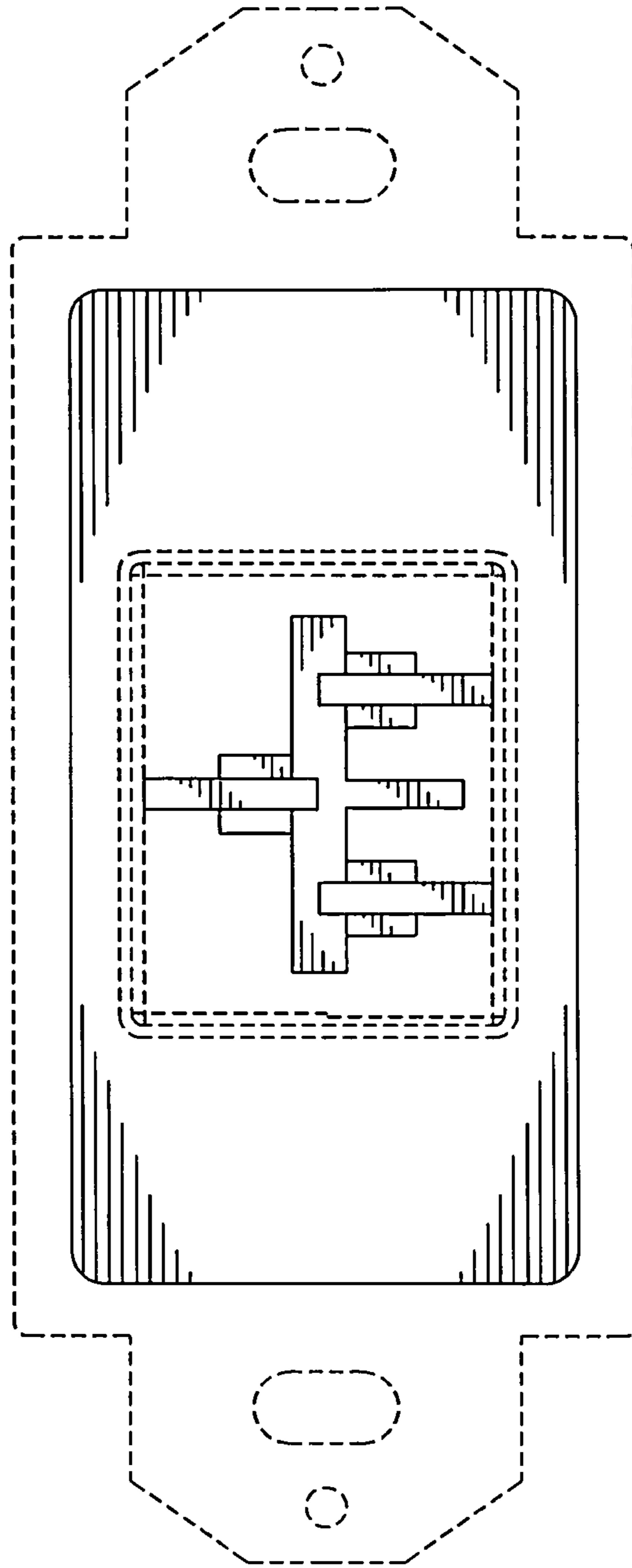


FIG. 3

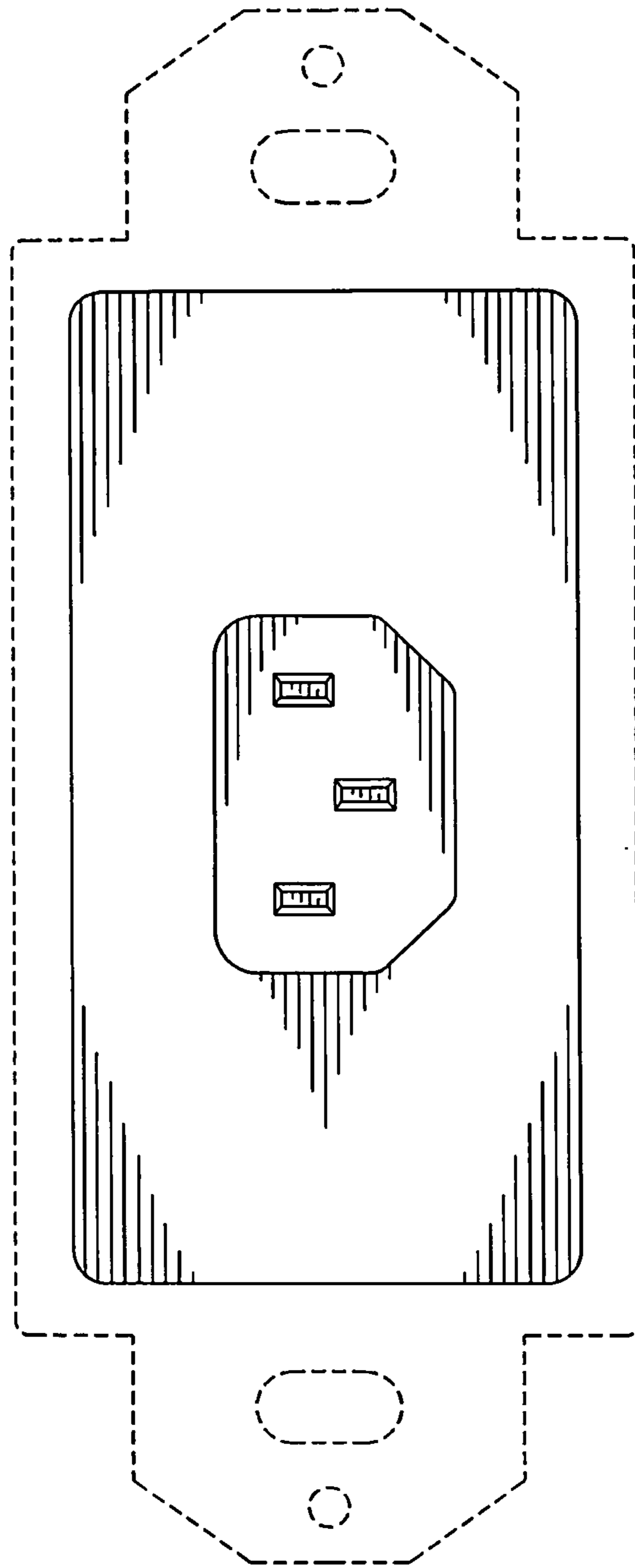


FIG. 4

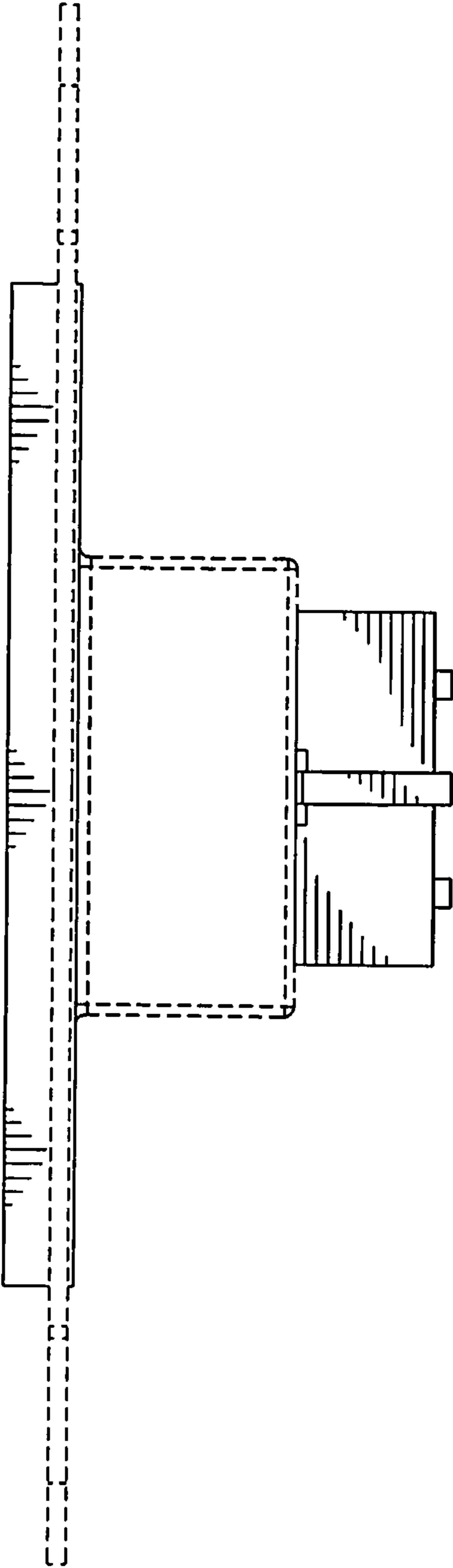


FIG. 5

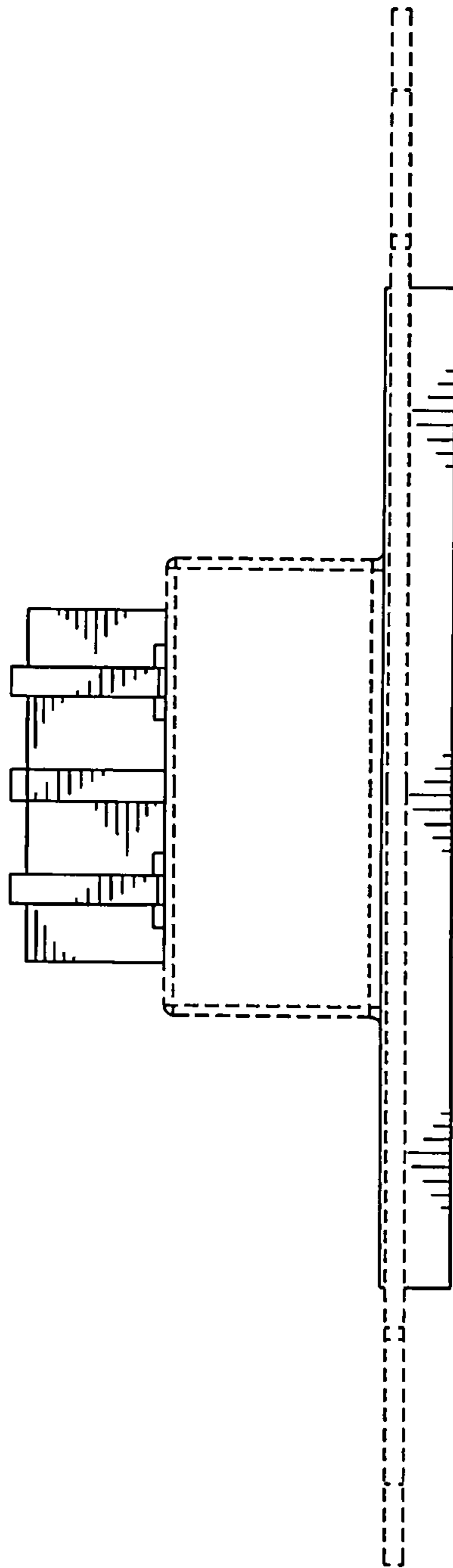


FIG. 6

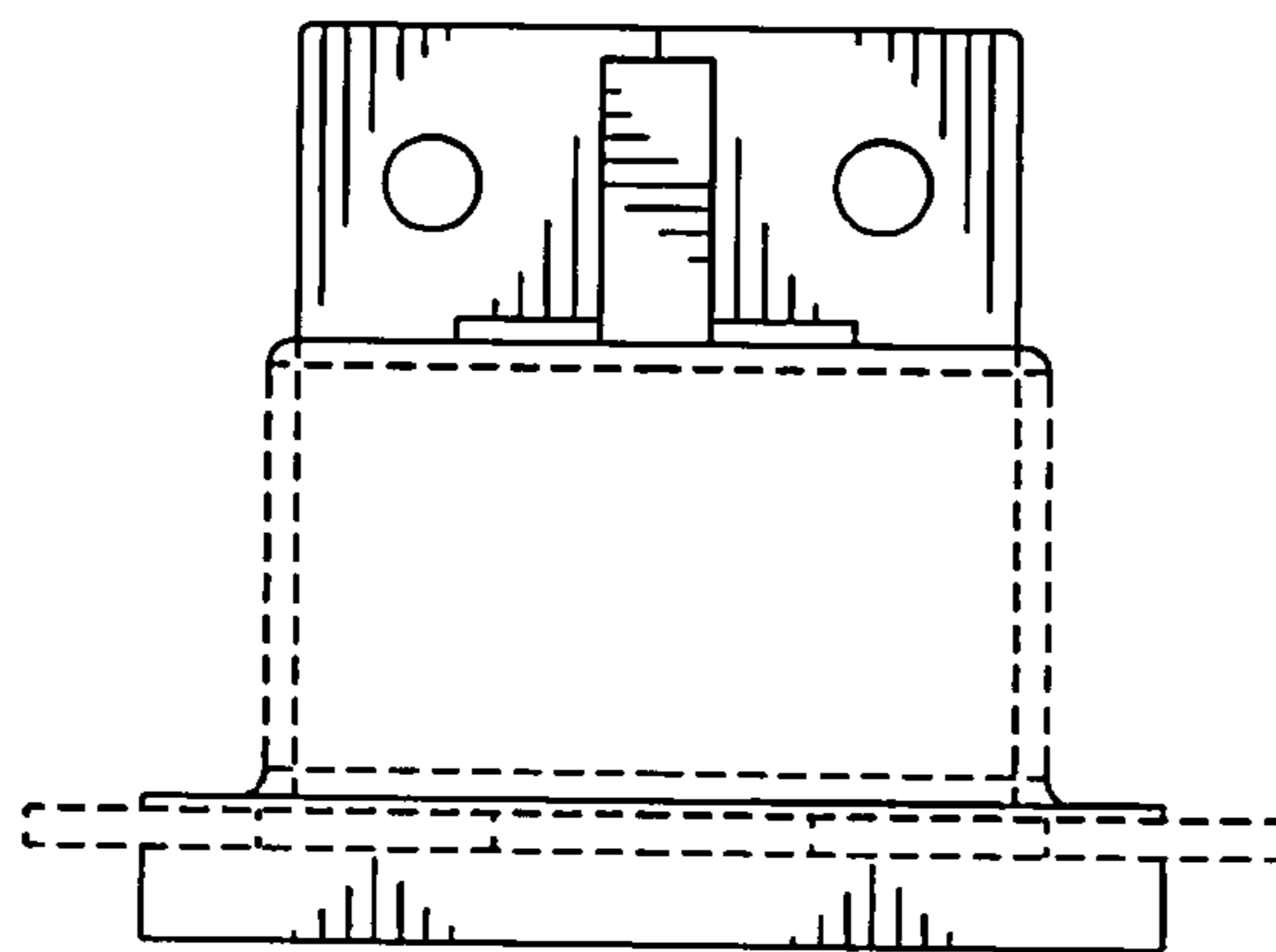


FIG. 7

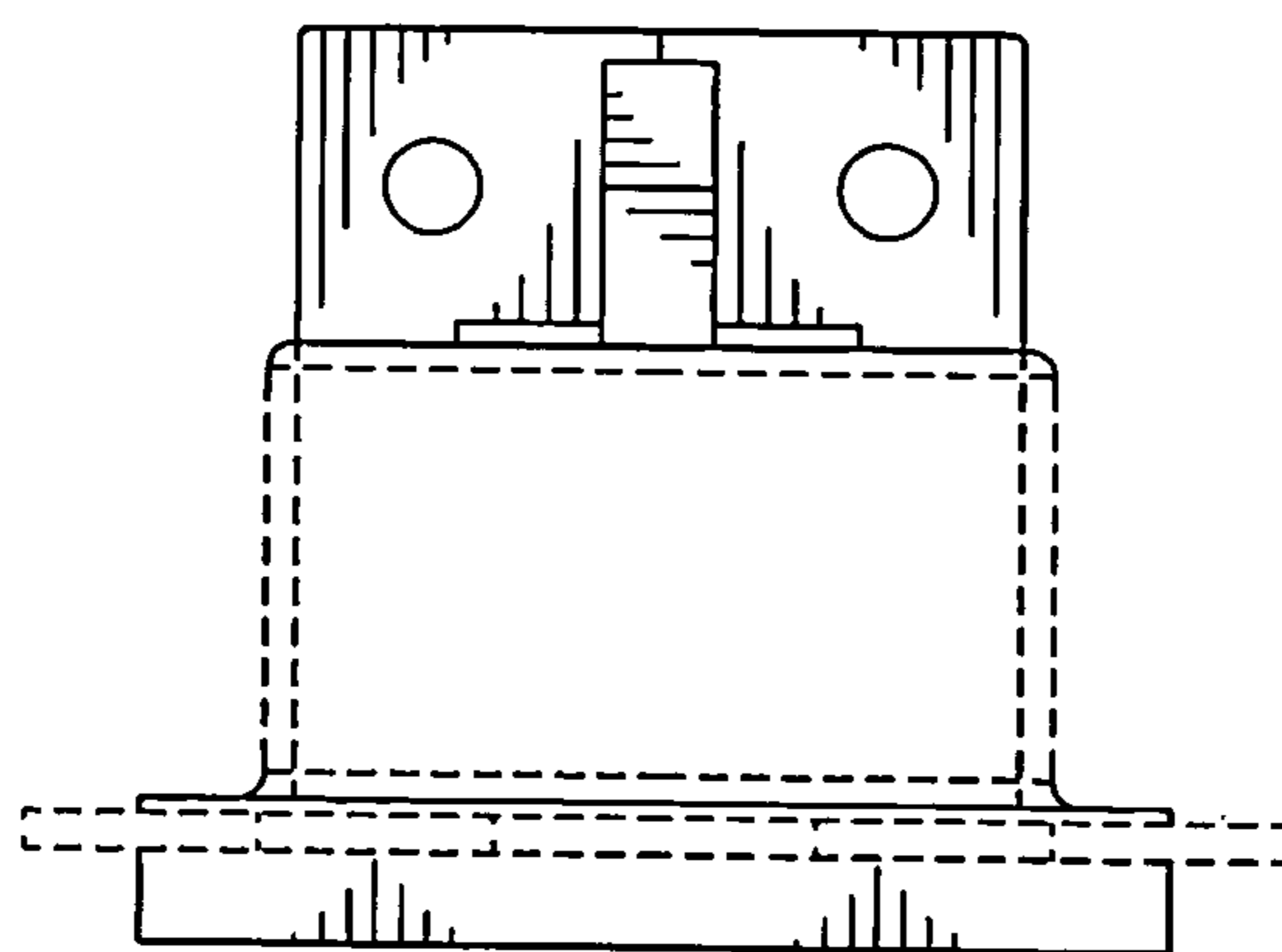


FIG. 8

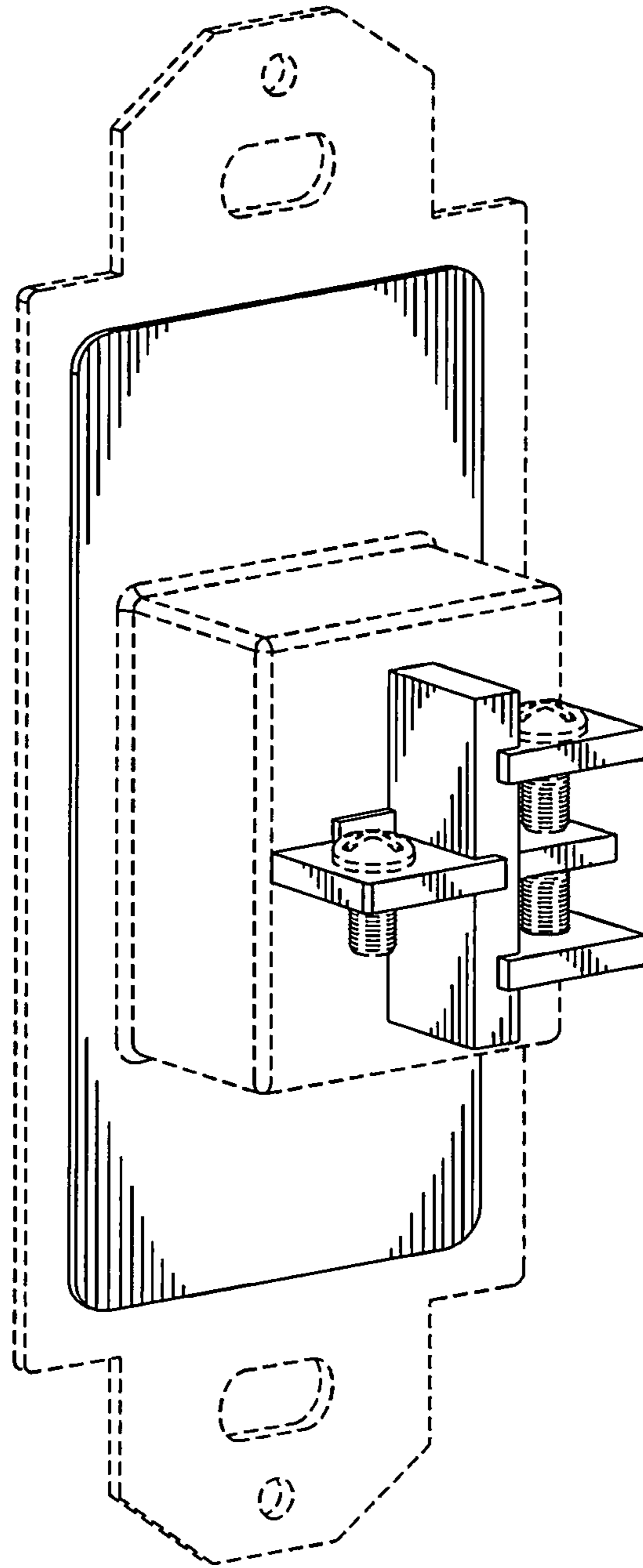


FIG. 9

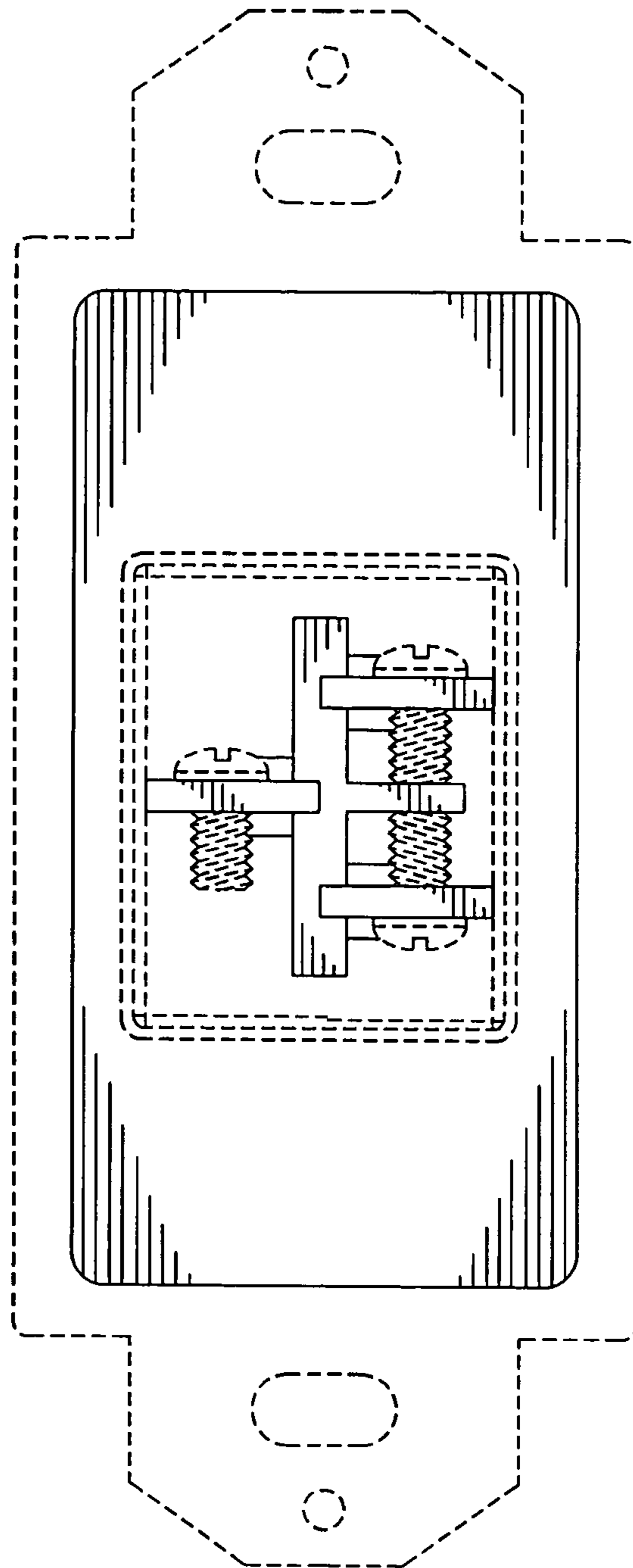


FIG. 10