



US00D735669S

(12) **United States Design Patent**  
**Kelly**

(10) **Patent No.:** **US D735,669 S**

(45) **Date of Patent:** **\*\* Aug. 4, 2015**

(54) **WALL PLUG ADAPTER**

(71) Applicant: **INTELLIGENT ENERGY LIMITED,**  
Leicestershire (GB)

(72) Inventor: **Andrew Kelly,** Leicestershire (GB)

(73) Assignee: **Intelligent Energy Limited,**  
Loughborough (GB)

(\*\*) Term: **14 Years**

(21) Appl. No.: **29/482,096**

(22) Filed: **Feb. 13, 2014**

(51) **LOC (10) Cl.** ..... **13-03**

(52) **U.S. Cl.**  
USPC ..... **D13/138.1**

(58) **Field of Classification Search**  
USPC ..... D13/137.1, 137.2, 138.1, 138.2, 139.1,  
D13/108, 139.3, 110, 199, 152, 160;  
439/655, 172, 337, 694, 131, 171,  
439/476.1, 650-654, 628, 606, 106, 105;  
174/53, 54, 57, 59, 61  
See application file for complete search history.

(56) **References Cited**

**U.S. PATENT DOCUMENTS**

6,302,717 B1 \* 10/2001 Cheung ..... 439/172  
D462,056 S \* 8/2002 Chung ..... D13/137.1  
D474,744 S \* 5/2003 Wu ..... D13/137.1  
D654,435 S \* 2/2012 Lee ..... D13/138.2  
D655,244 S \* 3/2012 Au ..... D13/108  
D698,314 S \* 1/2014 Byrne et al. .... D13/139.3  
D701,836 S \* 4/2014 Byrne ..... D13/139.1

D702,182 S \* 4/2014 Druker et al. .... D13/110  
8,708,722 B1 \* 4/2014 Walliser et al. .... 439/172  
D705,733 S \* 5/2014 Zaslavsky et al. .... D13/137.2  
D706,220 S \* 6/2014 Zaslavsky et al. .... D13/137.2

\* cited by examiner

*Primary Examiner* — Holly Baynham

*Assistant Examiner* — Rhea Shields

(74) *Attorney, Agent, or Firm* — Baker & Hostetler LLP

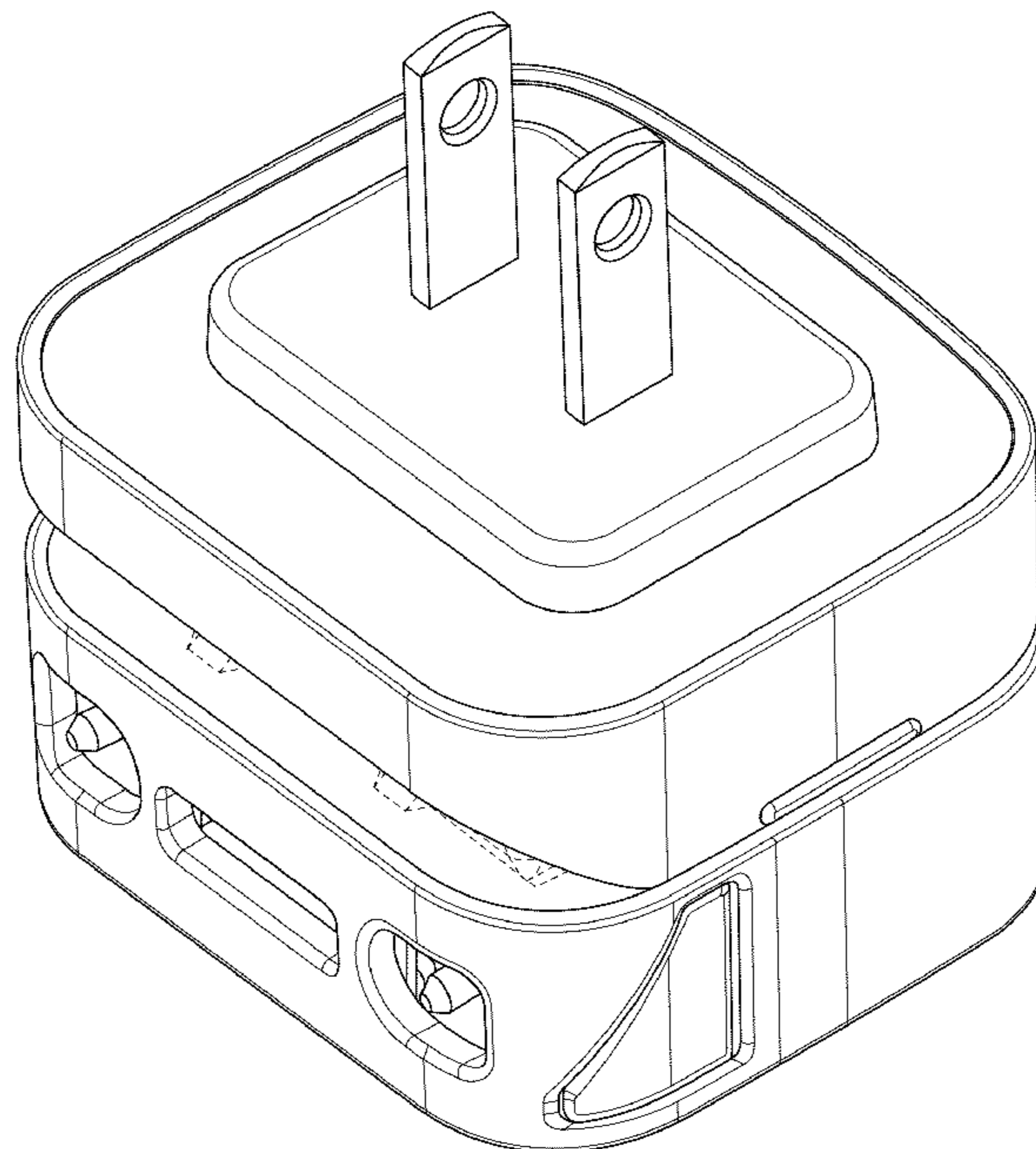
(57) **CLAIM**

The ornamental design for a wall plug adapter, as shown and described.

**DESCRIPTION**

FIG. 1 is a perspective view front towards back of a wall plug adapter showing my new design;  
FIG. 2 is a perspective view back towards front of a wall plug adapter showing my new design;  
FIG. 3 is a side view of a wall plug adapter showing my new design;  
FIG. 4 is a side view of a wall plug adapter showing my new design;  
FIG. 5 is a front view of a wall plug adapter showing my new design;  
FIG. 6 is a back view of a wall plug adapter showing my new design;  
FIG. 7 is a bottom view of a wall plug adapter showing my new design; and,  
FIG. 8 is a top view of a wall plug adapter showing my new design.  
In the drawings, the broken lines depict unclaimed subject matter only and form no part of the claimed design.

**1 Claim, 7 Drawing Sheets**



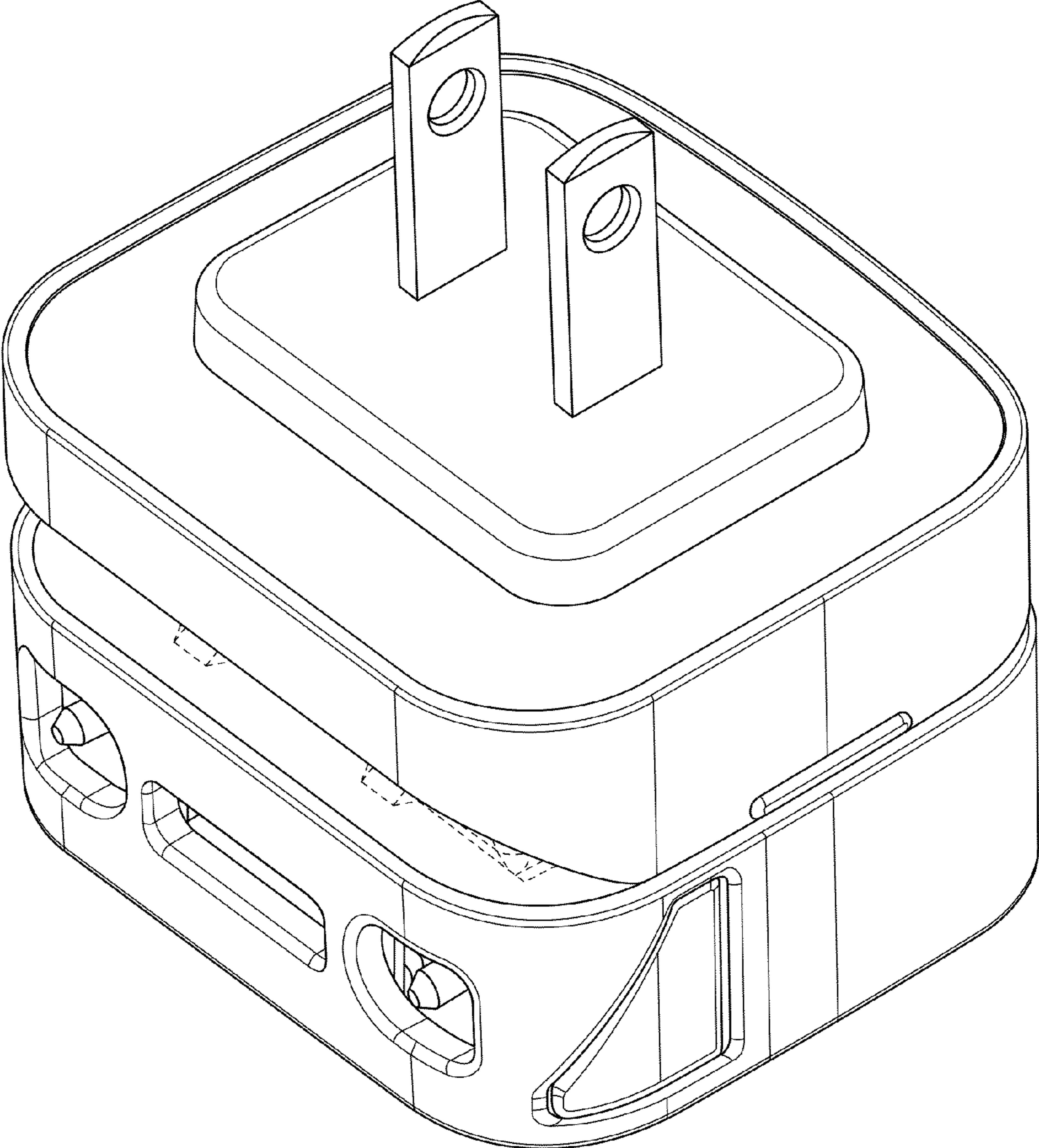


FIG. 1

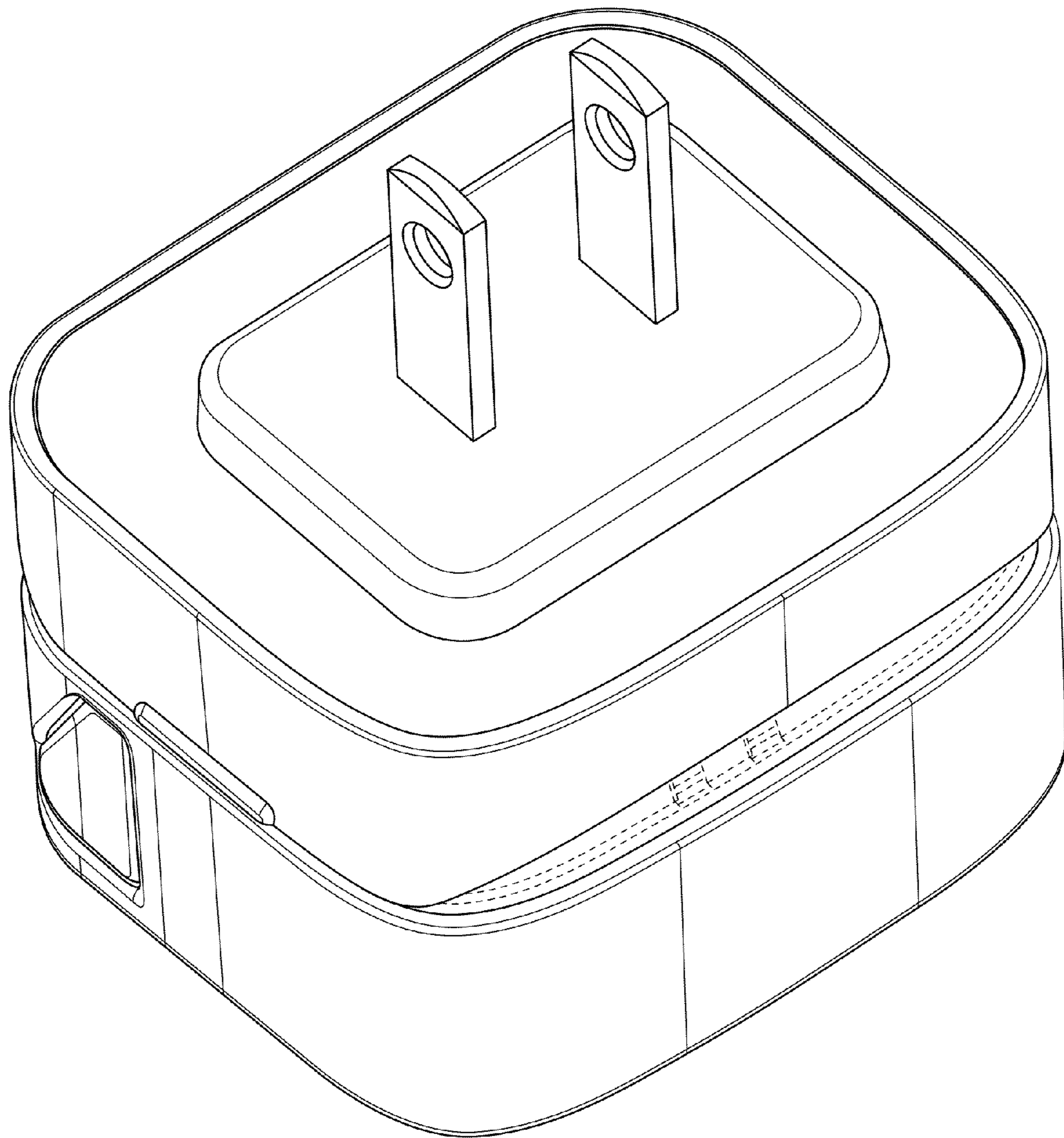


FIG. 2

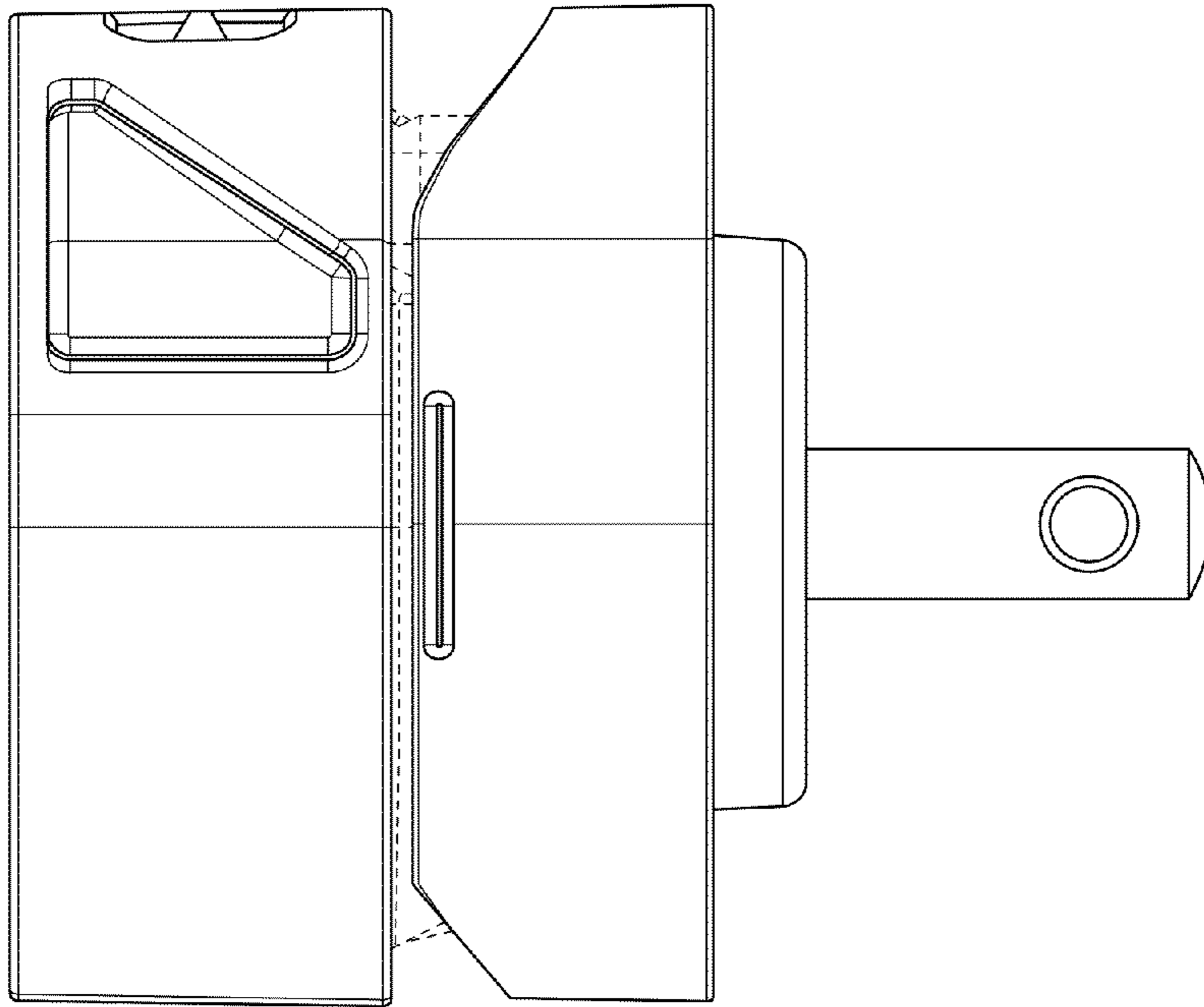


FIG. 3

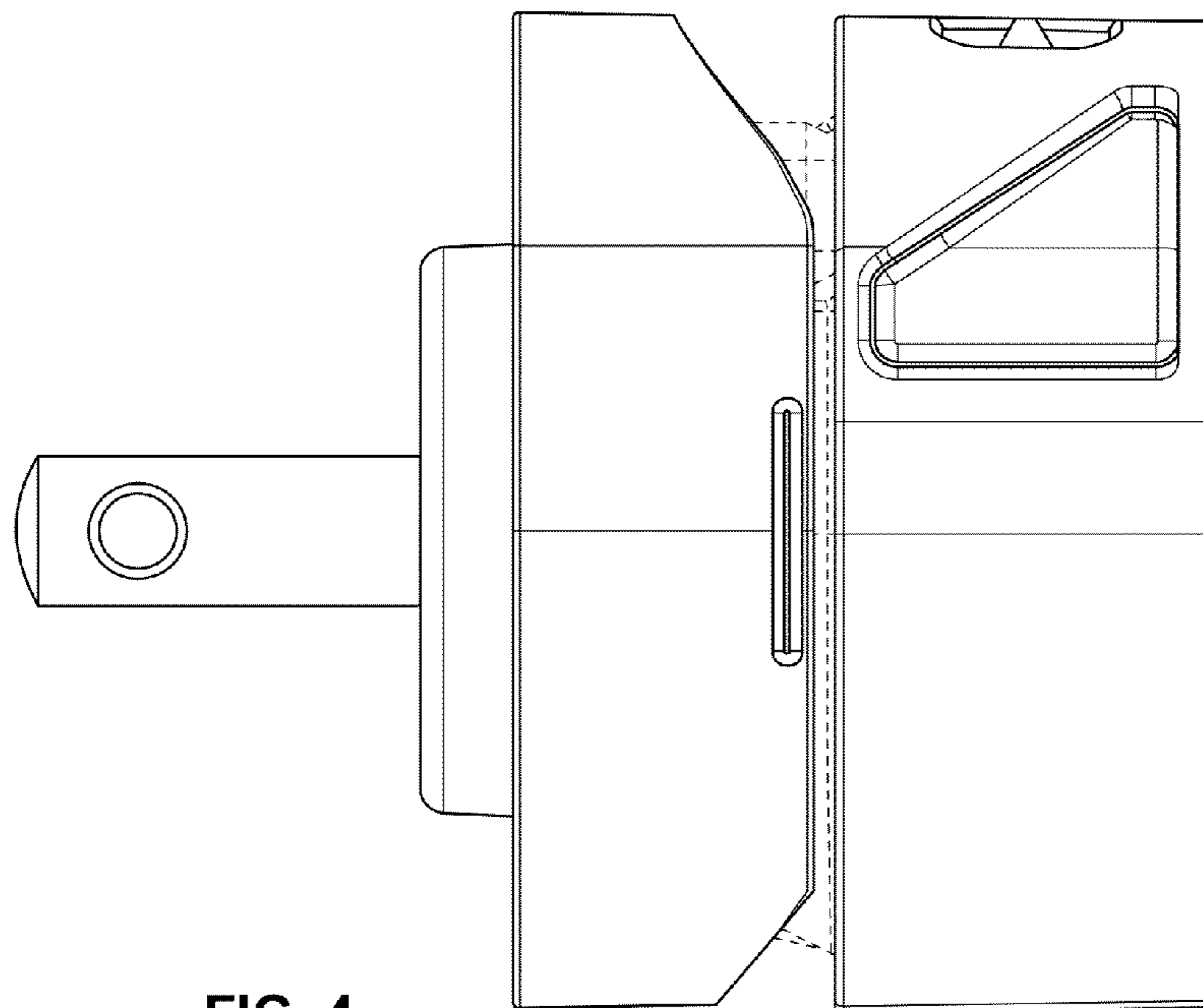


FIG. 4

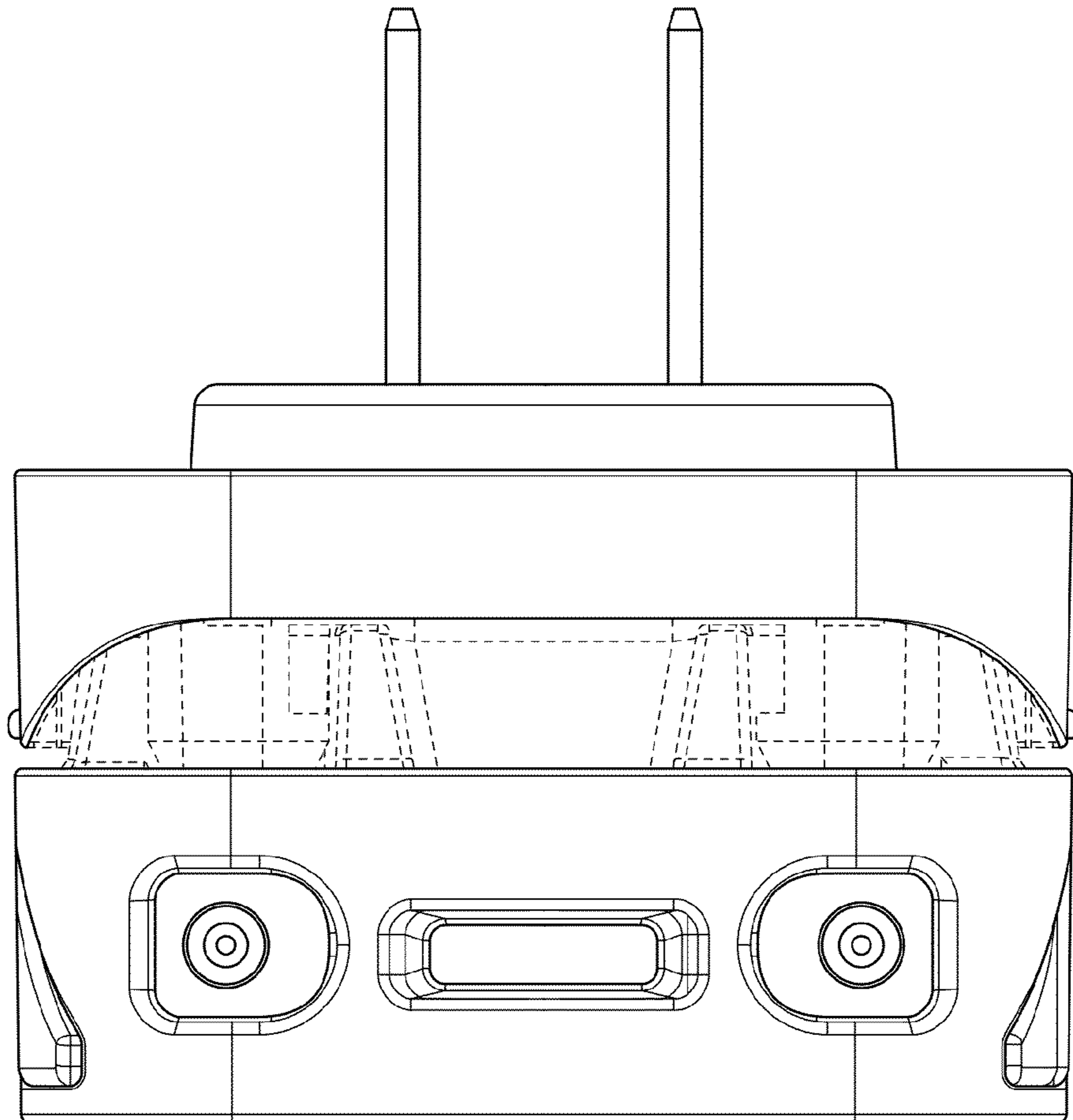


FIG. 5

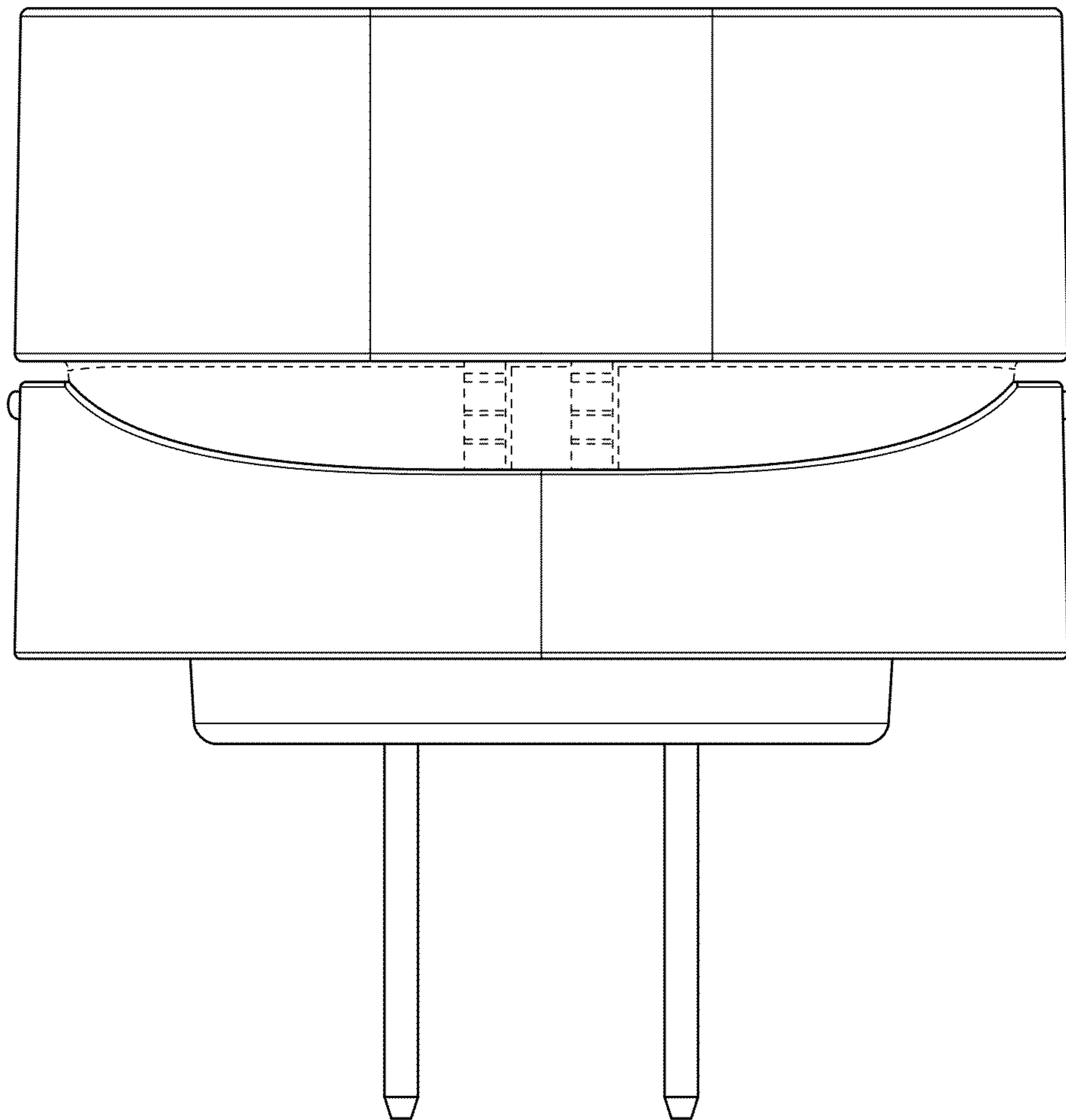


FIG. 6

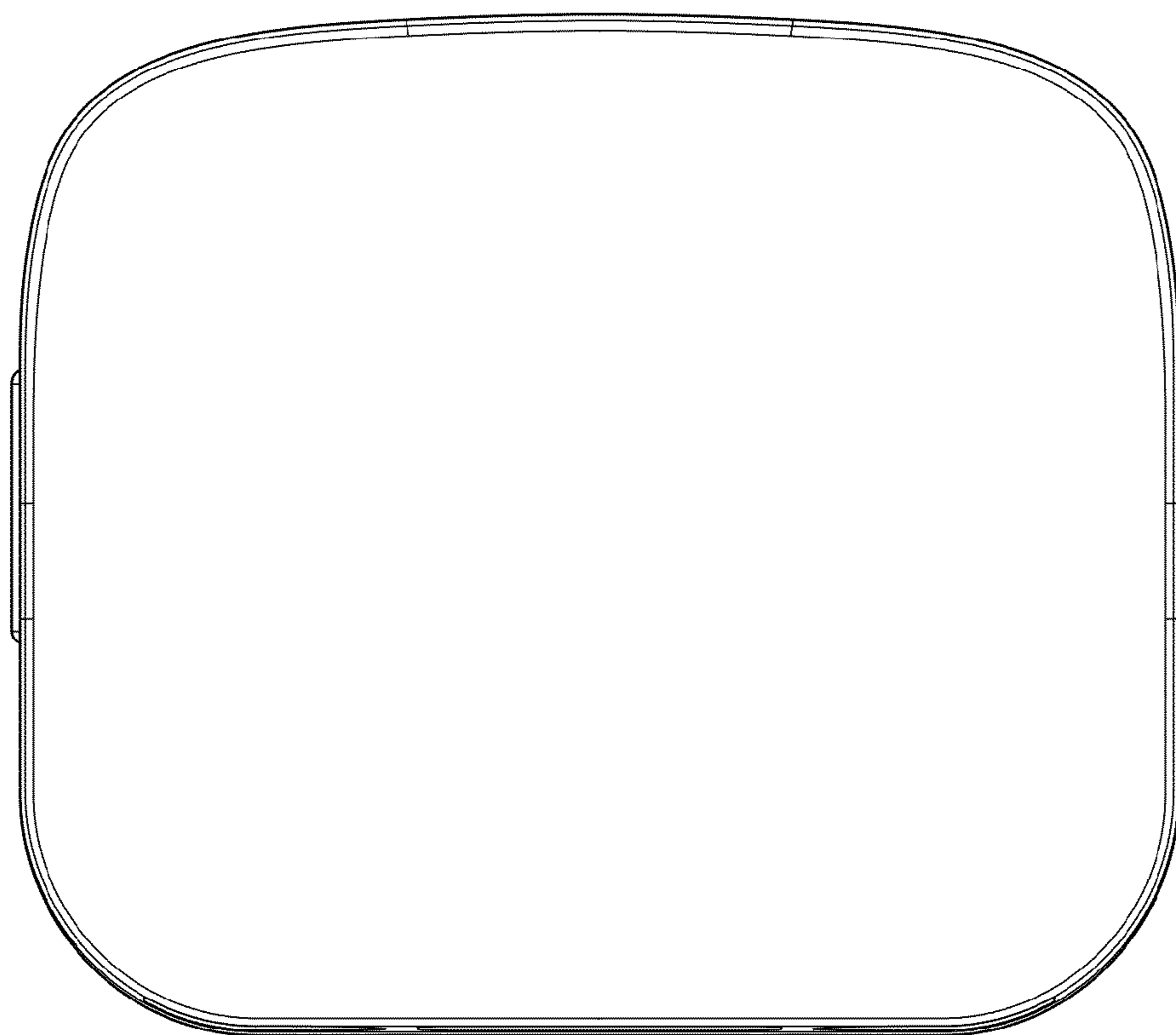


FIG. 7

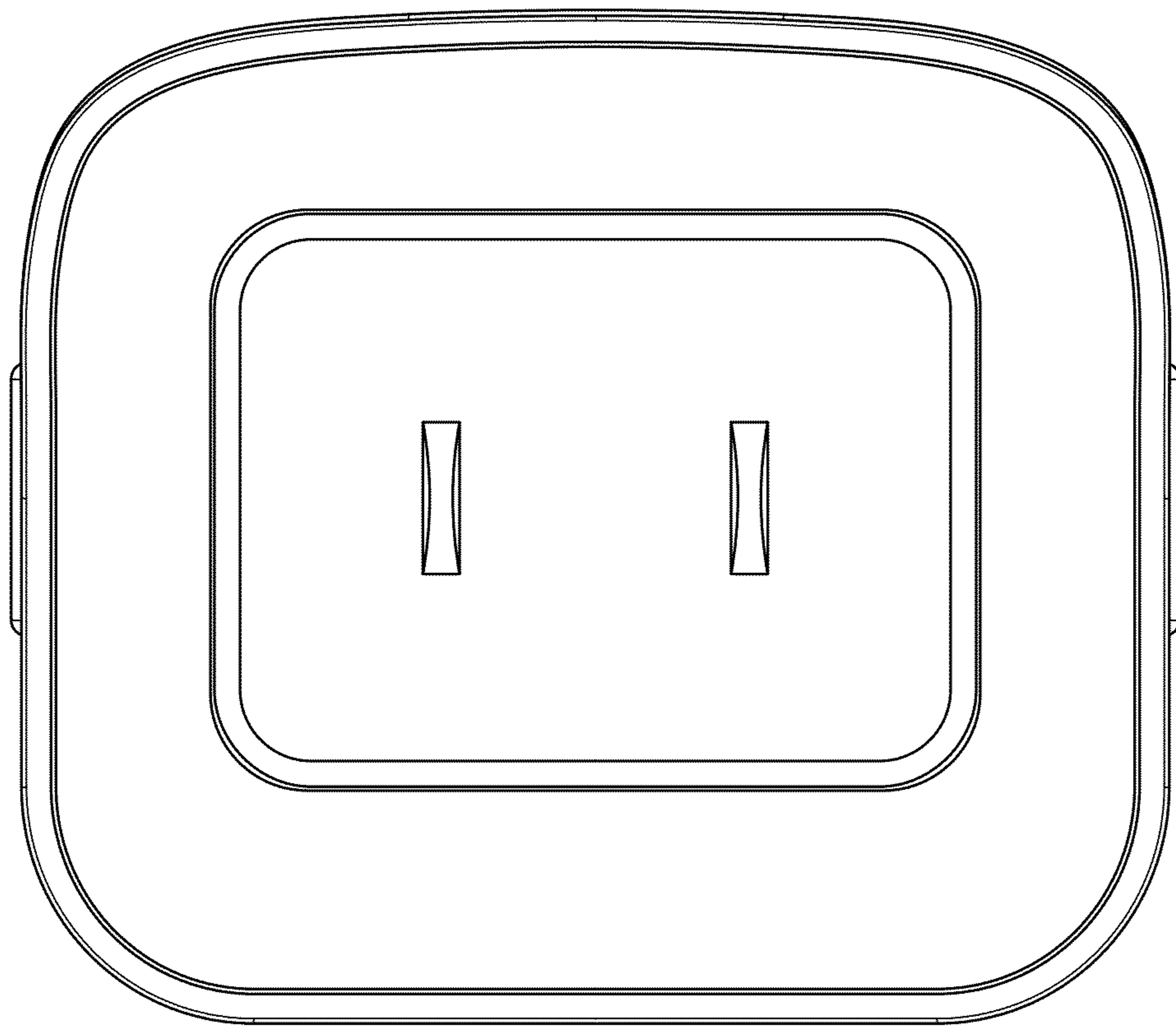


FIG. 8