



US00D735668S

(12) **United States Design Patent**
Warmuth

(10) **Patent No.:** **US D735,668 S**

(45) **Date of Patent:** **** Aug. 4, 2015**

(54) **ELECTRICAL CONNECTOR**

(71) Applicant: **BARTEC GmbH**, Bad Mergentheim (DE)

(72) Inventor: **Ewald Warmuth**, Ludwigsburg (DE)

(73) Assignee: **BARTEC GmbH**, Bad Mergentheim (DE)

(**) Term: **14 Years**

(21) Appl. No.: **29/459,189**

(22) Filed: **Jun. 27, 2013**

(30) **Foreign Application Priority Data**

Dec. 27, 2012 (EM) 001 355 937-0001

(51) **LOC (10) Cl.** **13-03**

(52) **U.S. Cl.**
USPC **D13/133**

(58) **Field of Classification Search**
USPC D13/133, 184, 199; 439/180, 252, 246,
439/279, 274, 378, 380, 527, 529, 533, 892,
439/894

CPC H01R 3/00; H01R 4/00; H01R 4/60
See application file for complete search history.

(56) **References Cited**

U.S. PATENT DOCUMENTS

| | | | | | | |
|----------|---|---|--------|------------------|-------|----------|
| D479,201 | S | * | 9/2003 | Limber et al. | | D13/156 |
| D526,960 | S | * | 8/2006 | Kobayashi et al. | | D13/110 |
| D528,980 | S | * | 9/2006 | Kobayashi et al. | | D13/110 |
| D569,349 | S | * | 5/2008 | Preston | | D13/156 |
| D698,229 | S | * | 1/2014 | Chance et al. | | D8/360.1 |

* cited by examiner

Primary Examiner — Thomas Johannes

Assistant Examiner — Shaw T Gingrich

(74) *Attorney, Agent, or Firm* — Gudrun E. Hockett

(57) **CLAIM**

The ornamental design for an electrical connector, as shown and described.

DESCRIPTION

FIG. 1 is a top plan view of an electrical connector showing my new design;

FIG. 2 is a bottom plan view thereof;

FIG. 3 is a top front perspective view thereof;

FIG. 4 is a bottom rear perspective view thereof;

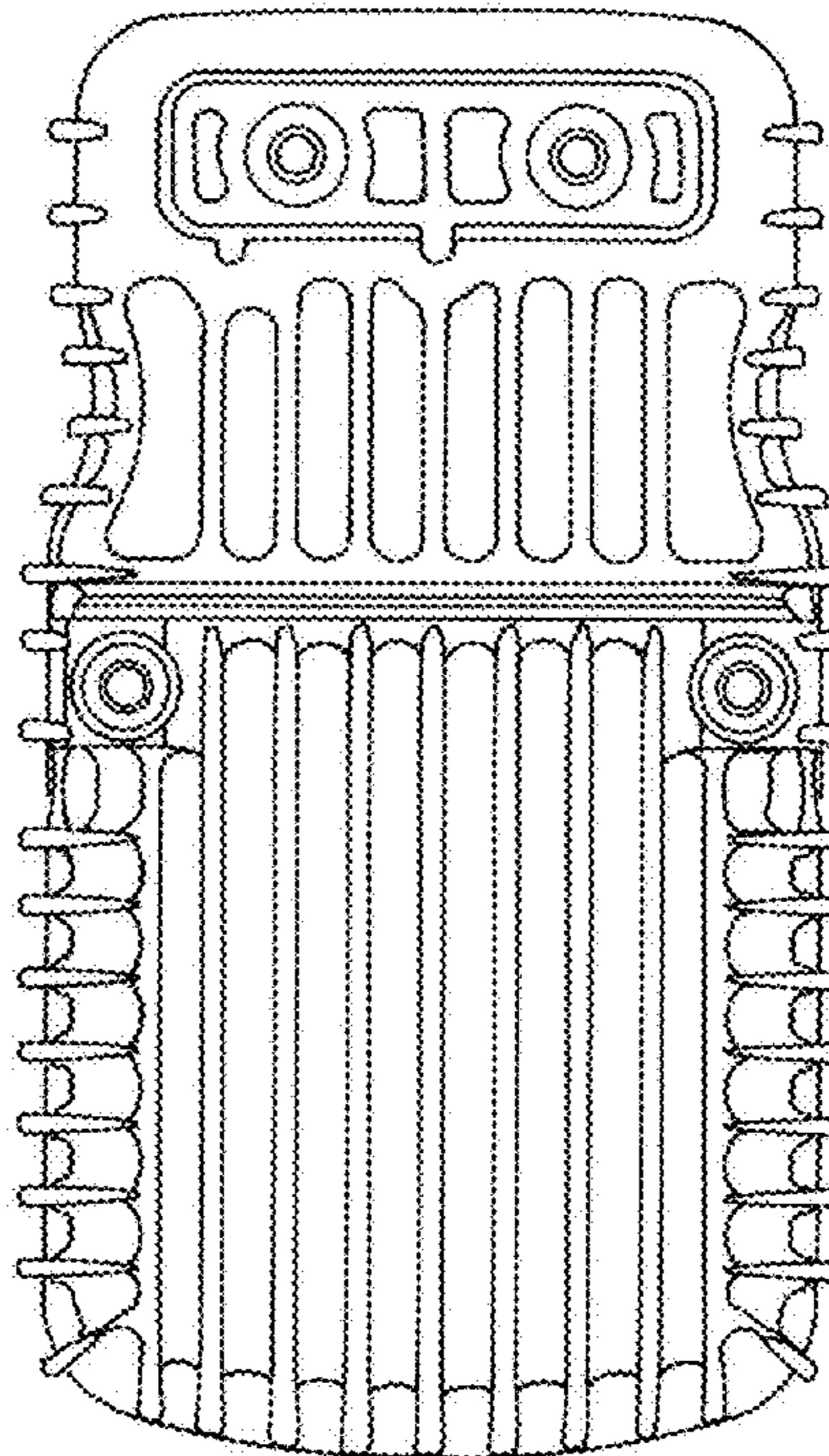
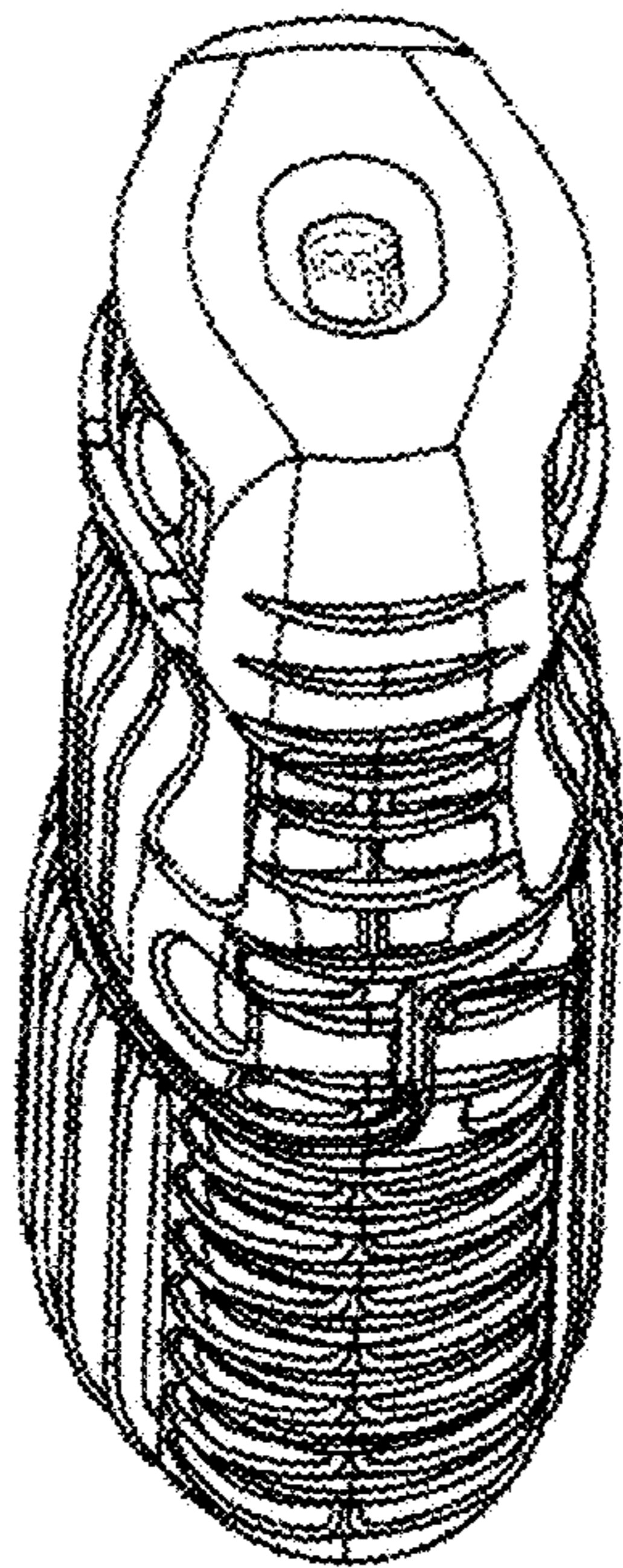
FIG. 5 is a left side elevation view thereof;

FIG. 6 is a right side elevation view thereof; and,

FIG. 7 is another front perspective view thereof.

The broken line illustration in the figure drawings is included to show unclaimed subject matter only and forms no part of the claimed design.

1 Claim, 7 Drawing Sheets



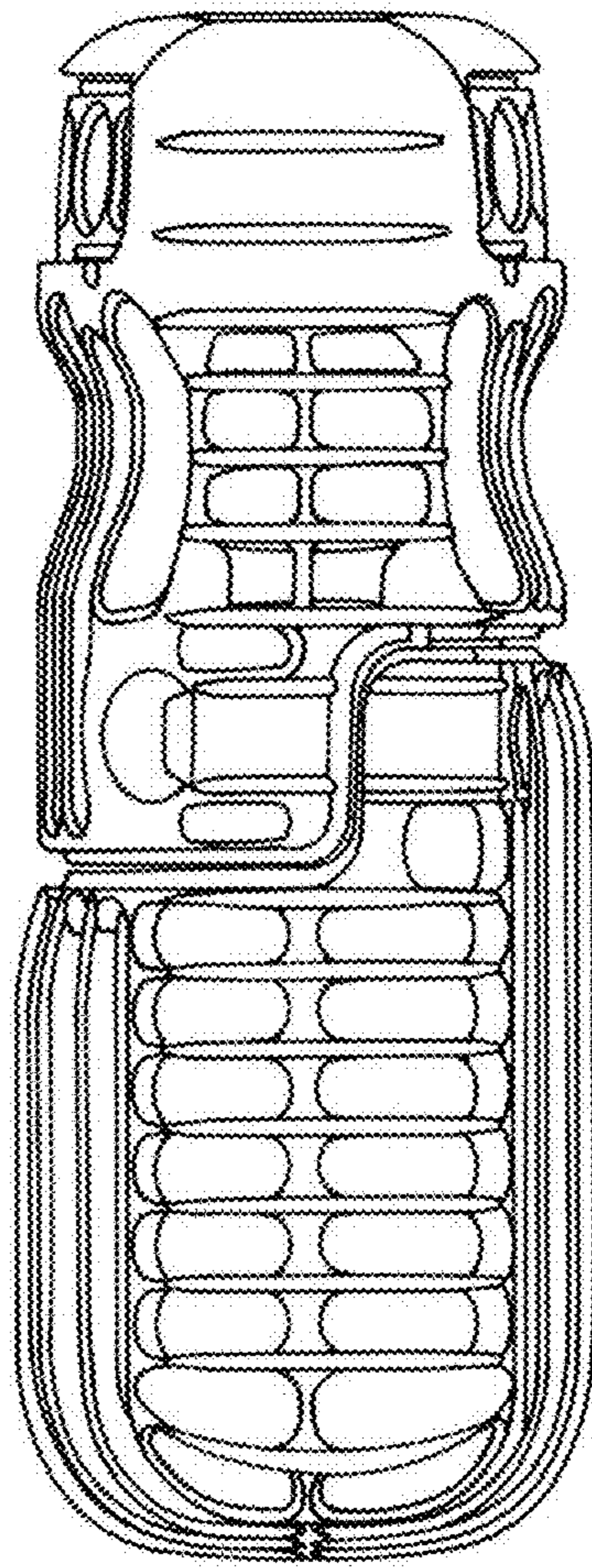


Fig. 1

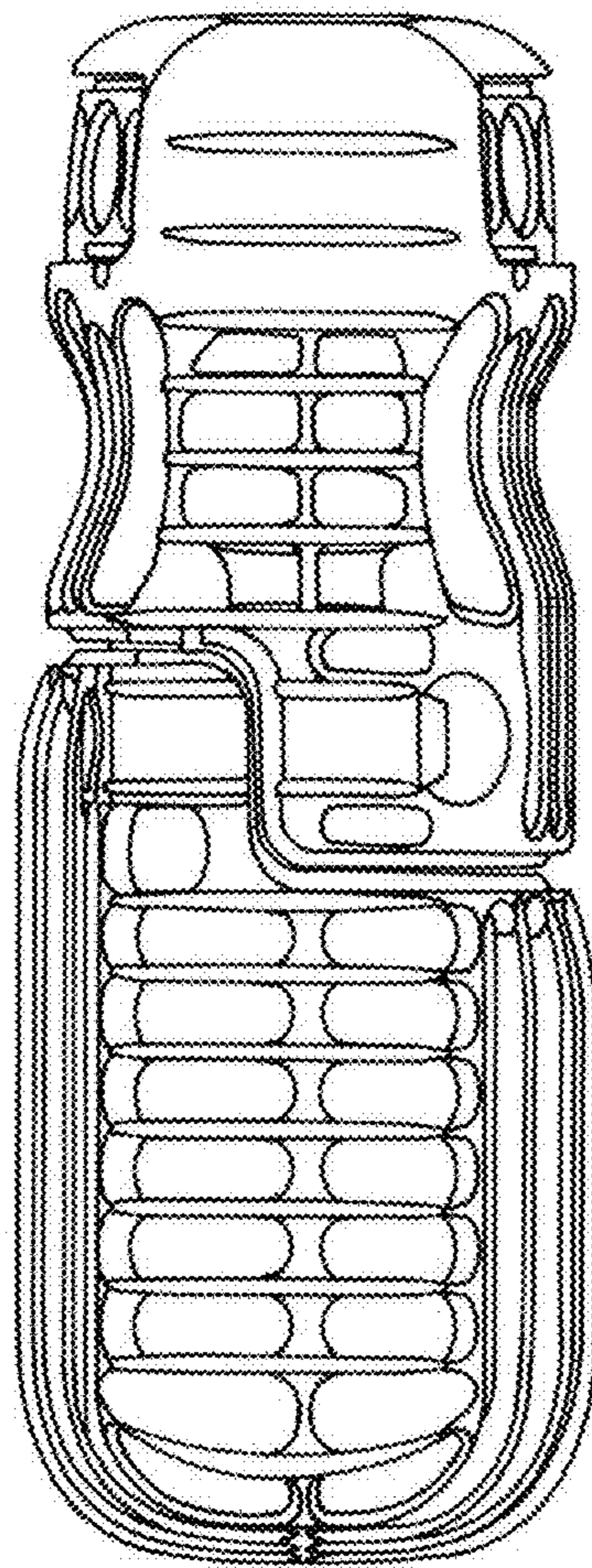


Fig. 2

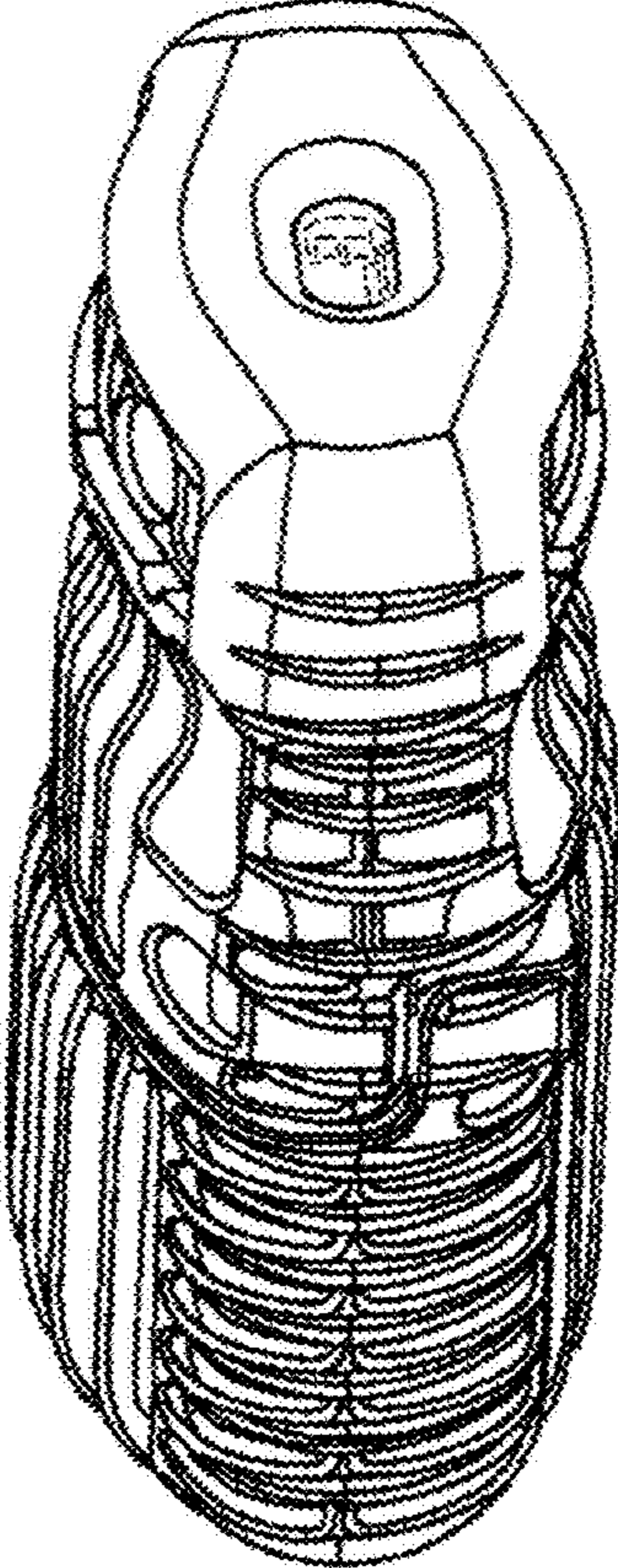


Fig. 3

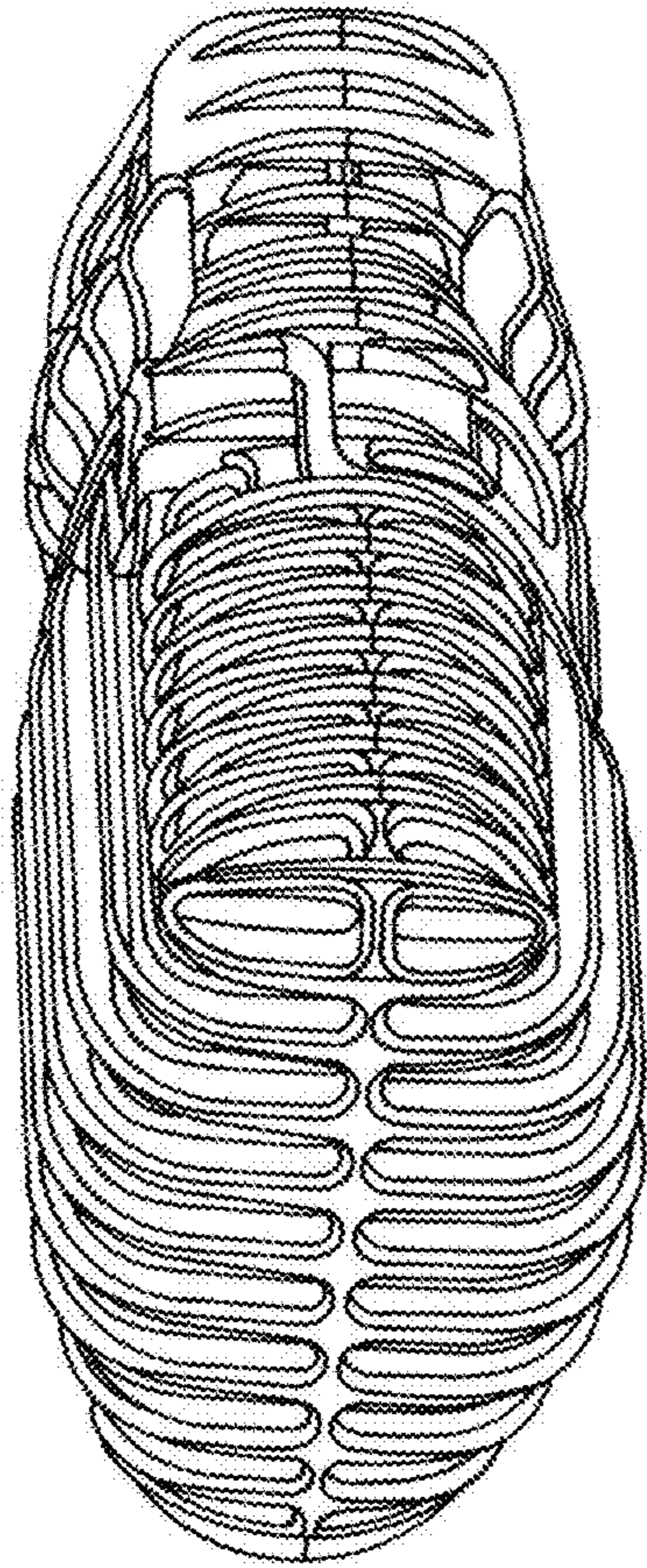


Fig. 4

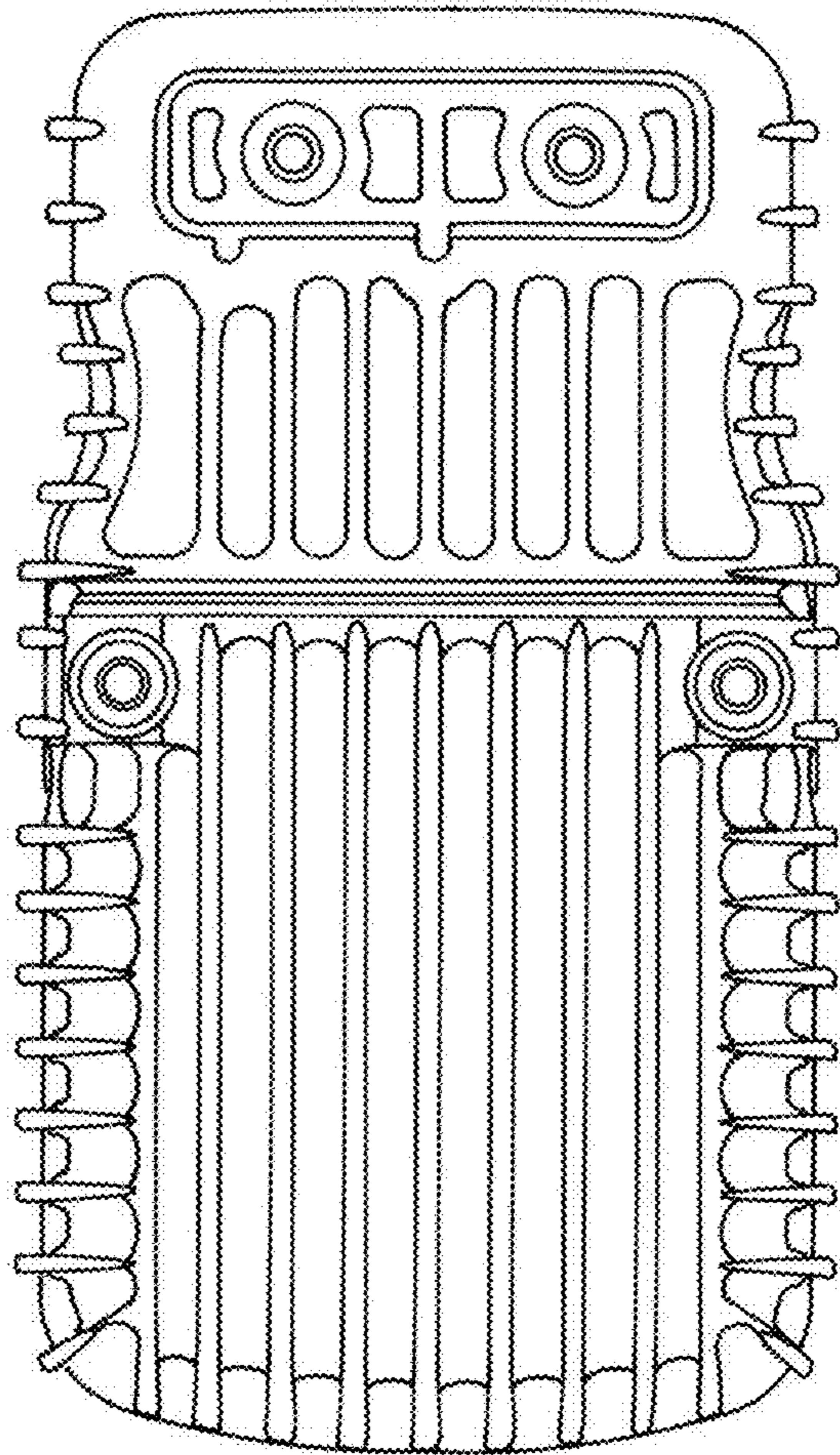


Fig. 5

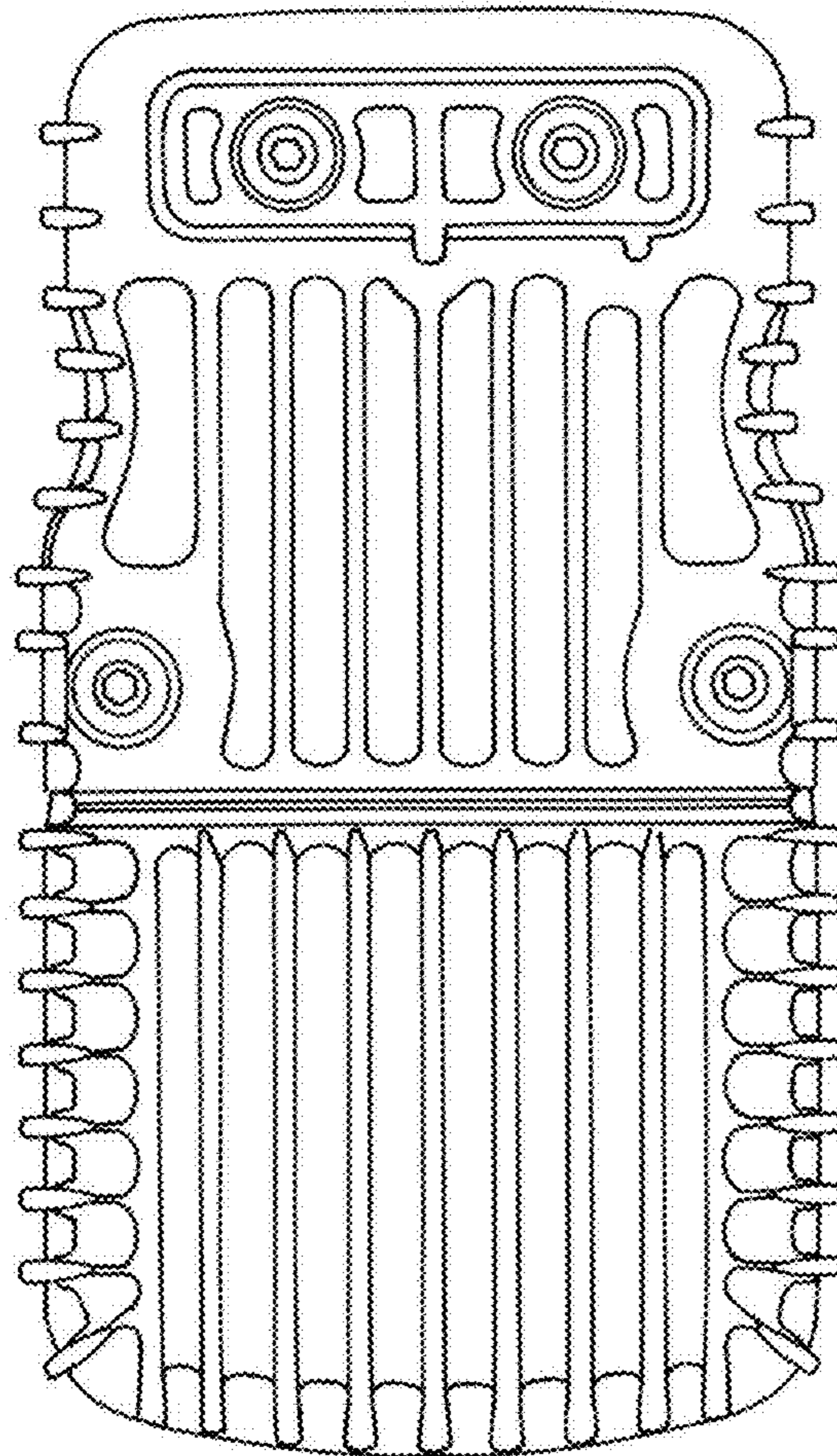


Fig. 6

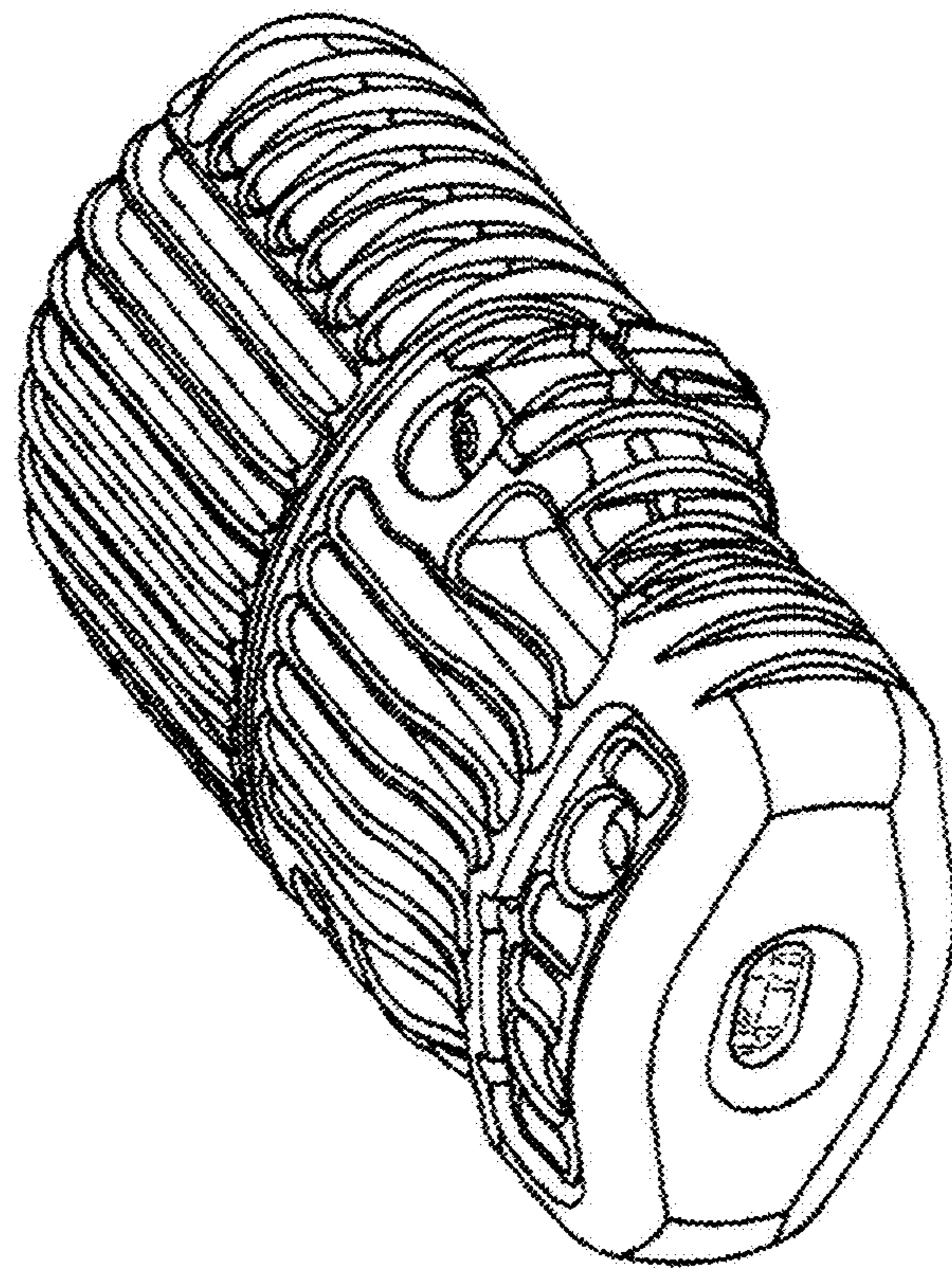


Fig. 7