



US00D735666S

(12) **United States Design Patent**  
**Tehranchi et al.**

(10) **Patent No.:** **US D735,666 S**

(45) **Date of Patent:** **\*\* Aug. 4, 2015**

(54) **GATE OPERATOR HOUSING**

(71) Applicant: **VIKING ACCESS SYSTEMS, LLC,**  
IRVINE, CA (US)

(72) Inventors: **Ali Tehranchi,** Irvine, CA (US); **Daniel Perez,** Irvine, CA (US); **Hassan Taheri,** Irvine, CA (US)

(73) Assignee: **Viking Access Systems, LLC,** Irvine, CA (US)

(\*\*) Term: **14 Years**

(21) Appl. No.: **29/471,576**

(22) Filed: **Nov. 1, 2013**

(51) **LOC (10) Cl.** ..... **13-01**

(52) **U.S. Cl.**  
USPC ..... **D13/122; D15/143**

(58) **Field of Classification Search**  
USPC ..... D13/101, 110, 118, 122, 158, 184;  
D15/143, 148, 149; 49/139, 324, 339;  
310/20, 20.8, 80; 74/89.15, 90.15,  
74/490.09, 411.5

CPC ..... H02K 7/06; H02K 7/11; Y10T 74/20354;  
Y10T 74/18704; Y10T 74/19637; E05B  
81/25; F16H 25/20

See application file for complete search history.

(56) **References Cited**

**U.S. PATENT DOCUMENTS**

6,100,609 A \* 8/2000 Weber ..... 310/12.32  
6,336,294 B1 \* 1/2002 Kowalczyk et al. .... 49/339  
D457,135 S \* 5/2002 Fong et al. .... D13/110  
D473,574 S \* 4/2003 Mullet et al. .... D15/199  
D474,215 S \* 5/2003 Mullet et al. .... D15/199

D502,477 S \* 3/2005 Beadle et al. .... D15/148  
D514,146 S \* 1/2006 Haneball ..... D15/143  
7,000,353 B2 \* 2/2006 Bosio ..... 49/139  
D522,546 S \* 6/2006 Beadle et al. .... D15/148  
D557,211 S \* 12/2007 Marchetto et al. .... D13/112  
D577,753 S \* 9/2008 Lund et al. .... D15/143  
D589,991 S \* 4/2009 Chen ..... D15/143  
D594,487 S \* 6/2009 Lund et al. .... D15/143  
D614,144 S \* 4/2010 Arosio ..... D13/166  
D624,101 S \* 9/2010 Tseng ..... D15/143  
D624,102 S \* 9/2010 Tseng ..... D15/143  
D630,492 S 1/2011 Faulkner  
D664,169 S \* 7/2012 Shirai et al. .... D15/143  
D686,257 S \* 7/2013 Wu ..... D15/143  
D722,628 S \* 2/2015 Kobayashi et al. .... D15/143

\* cited by examiner

*Primary Examiner* — Derrick Holland

*Assistant Examiner* — Jennifer O King

(74) *Attorney, Agent, or Firm* — Jafari Law Group, Inc.;  
David V. Jafari

(57) **CLAIM**

The ornamental design for a gate operator housing, as shown and described.

**DESCRIPTION**

FIG. 1 illustrates a perspective view of a gate operator housing;

FIG. 2 illustrates a right-side view thereof;

FIG. 3 illustrates a left-side view thereof;

FIG. 4 illustrates a top view thereof;

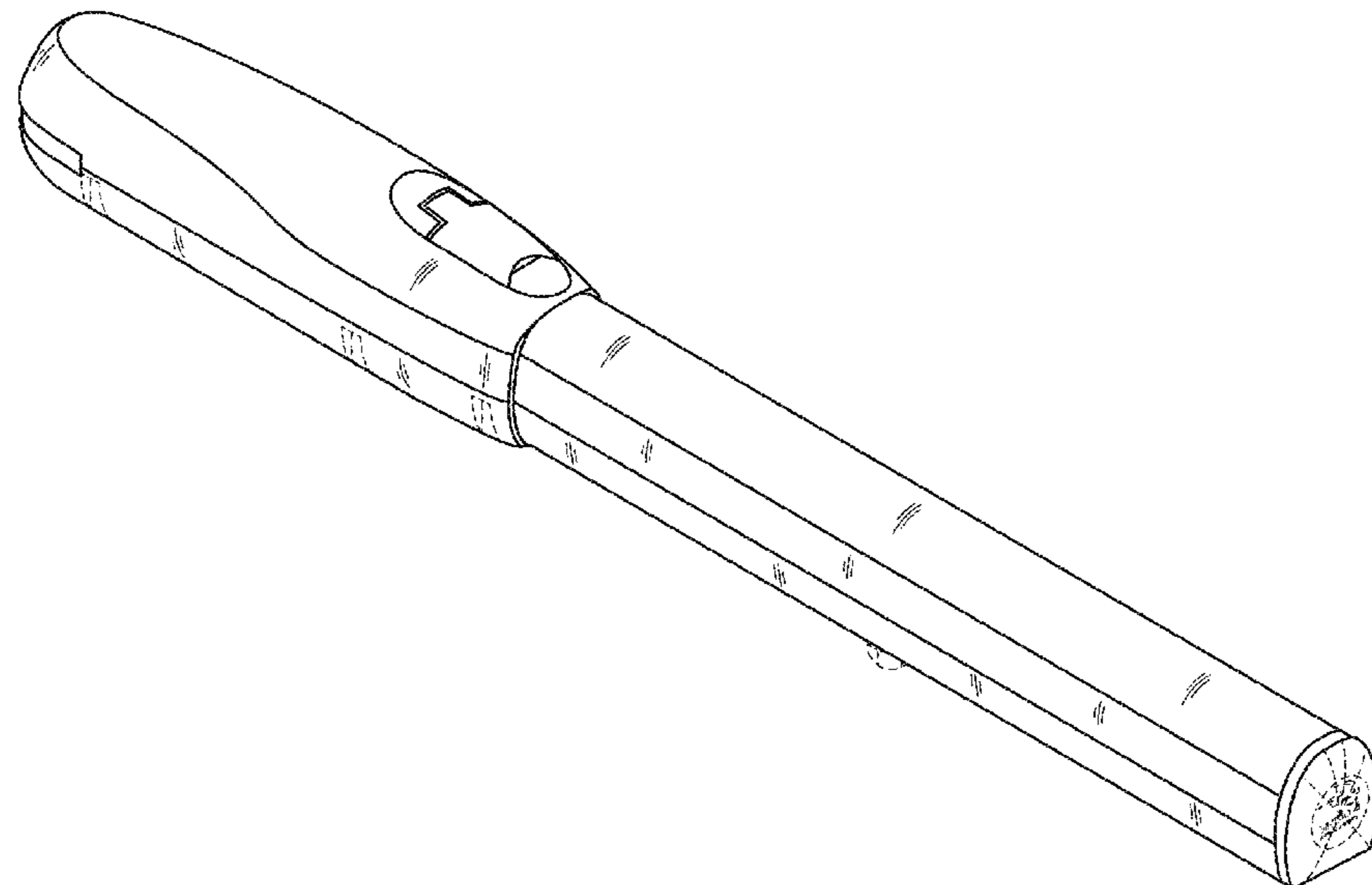
FIG. 5 illustrates a bottom view thereof;

FIG. 6 illustrates a front view thereof; and,

FIG. 7 illustrates a rear view thereof.

The broken lines shown represent unclaimed subject matter and form no part of the claimed design.

**1 Claim, 3 Drawing Sheets**



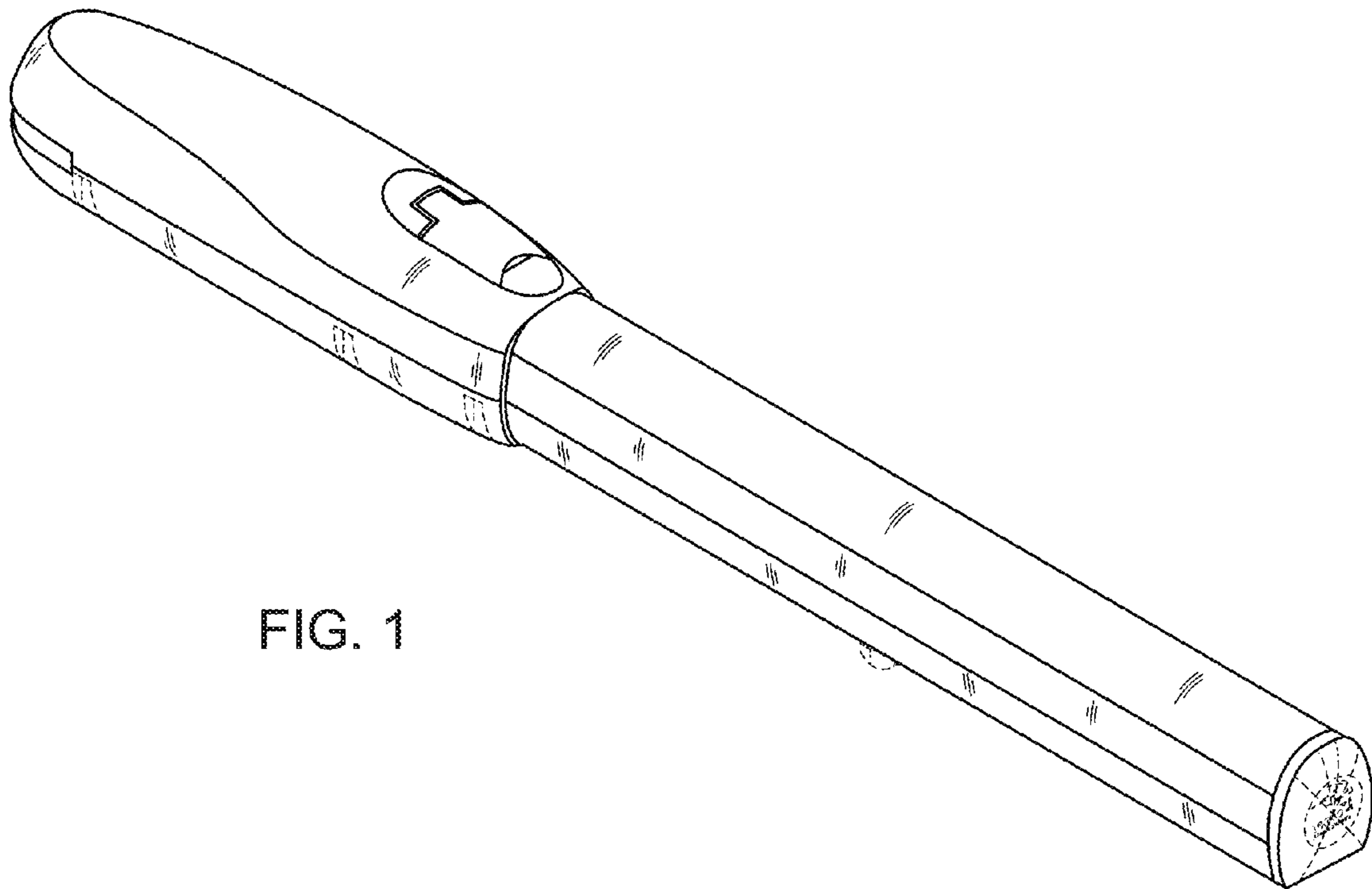


FIG. 1

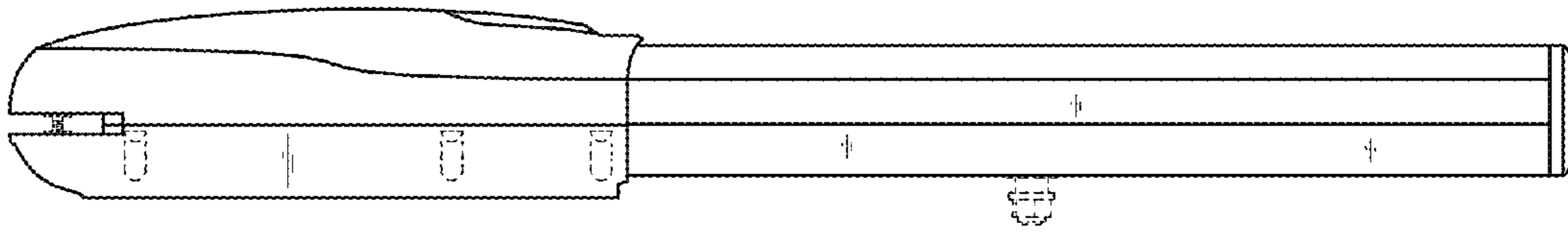


FIG. 2

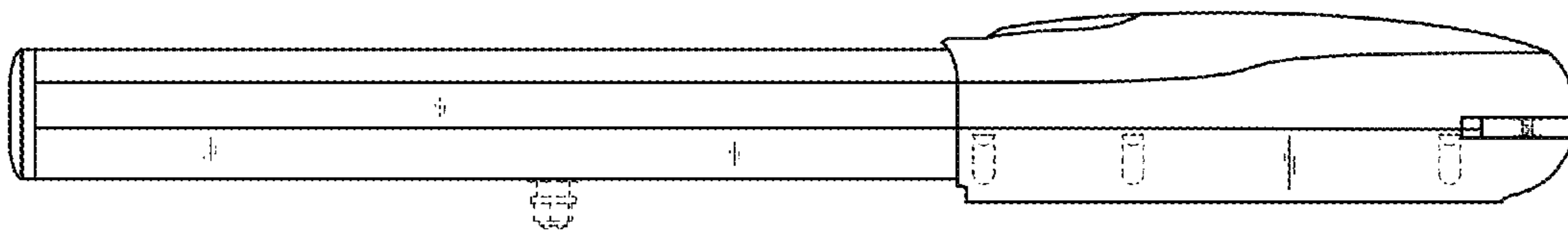


FIG. 3

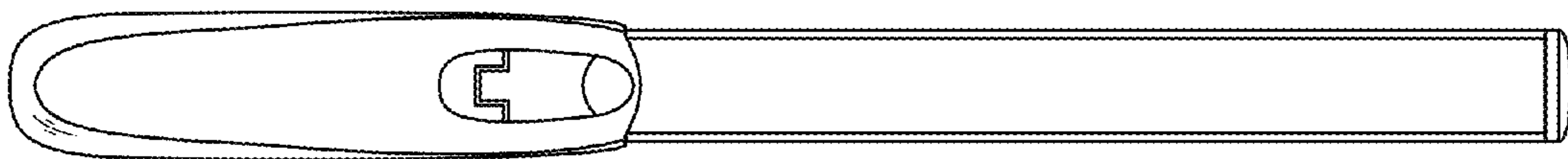


FIG. 4

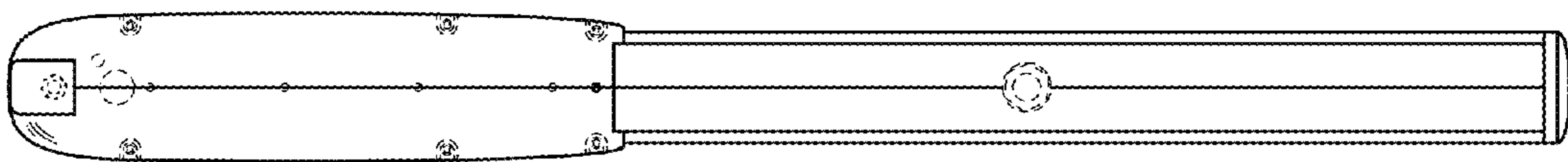


FIG. 5

FIG. 6

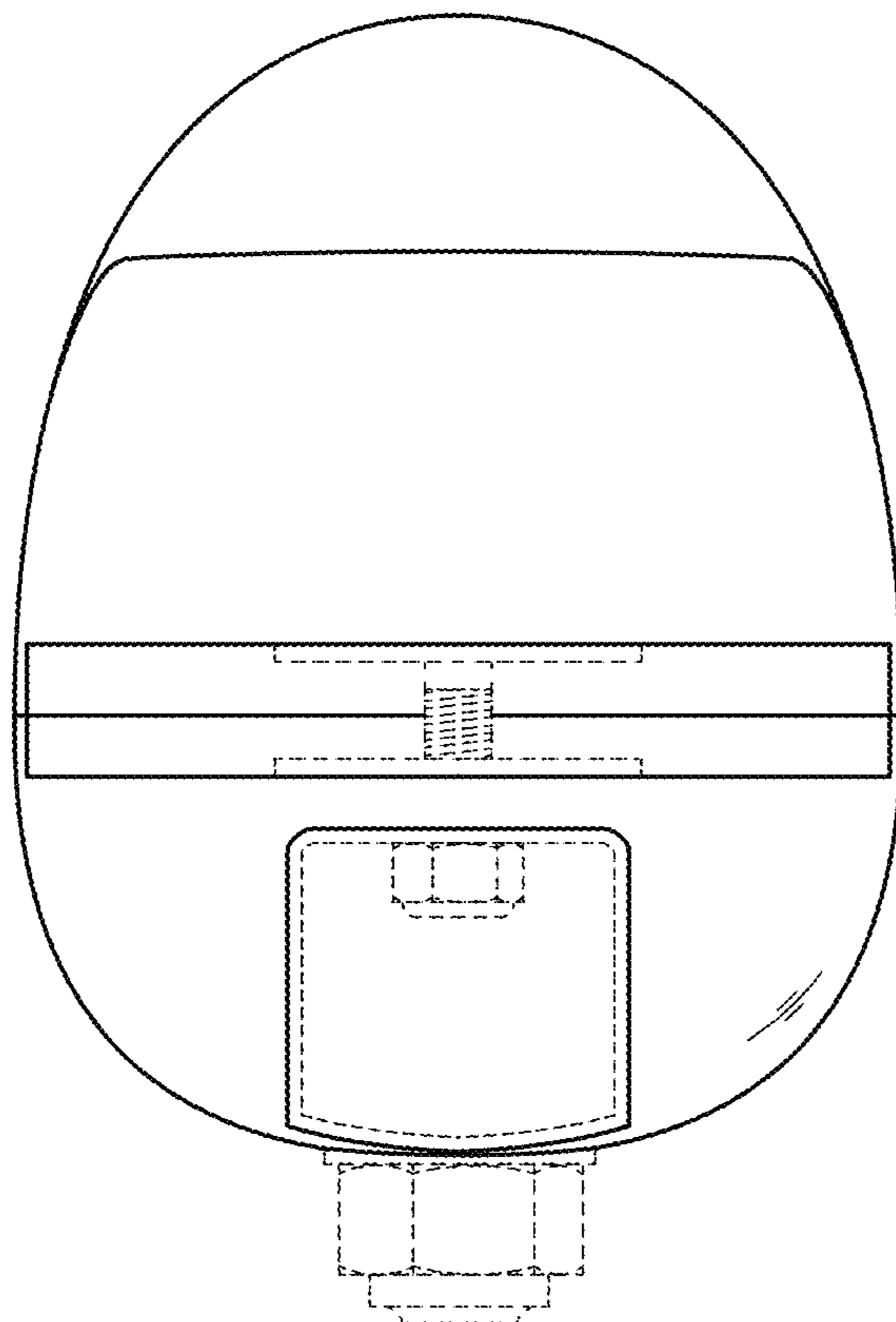
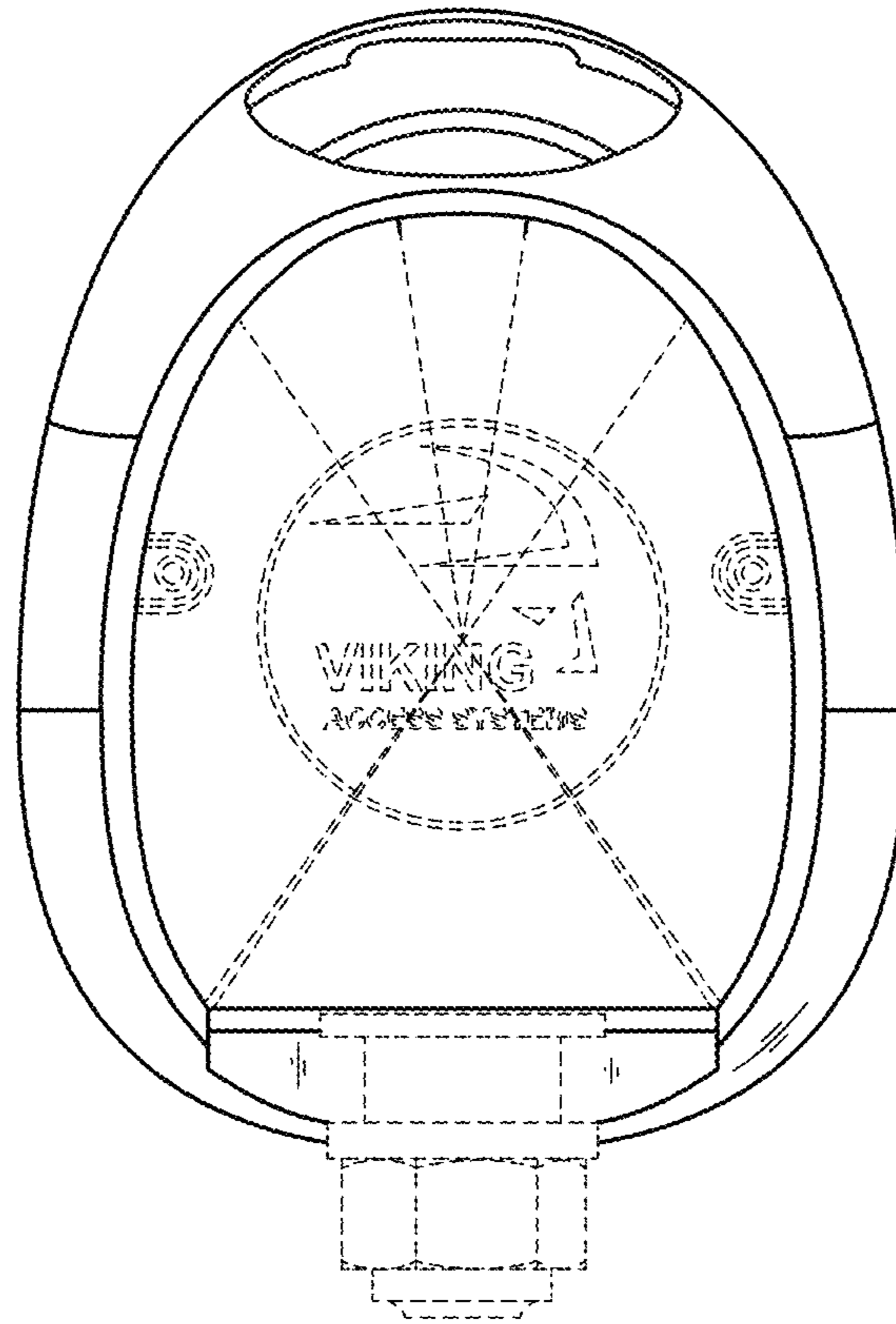


FIG. 7