



US00D735664S

(12) **United States Design Patent**  
**Woodling**

(10) **Patent No.:** **US D735,664 S**

(45) **Date of Patent:** **\*\* Aug. 4, 2015**

(54) **HLVP TURBINE UNIT**

(71) Applicant: **Benjamin Compton Woodling**,  
Hampshire (GB)

(72) Inventor: **Benjamin Compton Woodling**,  
Hampshire (GB)

(73) Assignee: **Wagner Spraytech Limited**, Guildford,  
Surrey (GB)

(\*\*) Term: **14 Years**

(21) Appl. No.: **29/441,037**

(22) Filed: **Dec. 31, 2012**

(30) **Foreign Application Priority Data**

Sep. 21, 2012 (EP) ..... 001344543

(51) **LOC (10) Cl.** ..... **13-02**

(52) **U.S. Cl.**  
USPC ..... **D13/116; D13/112**

(58) **Field of Classification Search**  
USPC ..... D13/112, 113, 114, 118, 122, 184, 199;  
D8/61, 69; D15/1, 5, 7; D23/225;  
D32/15; 137/524, 530, 560, 580;  
239/124, 329, 332, 353, 569; 310/43,  
310/47, 68 R, 158, 159, 160, 272; 322/2 R,  
322/2 A, 10, 13, 25, 35, 37, 39  
CPC ..... F15B 15/00; F15B 15/02; F15B 15/04;  
F15B 15/08; F15B 15/088; F02M 47/027;  
H02P 2009/003; B05B 9/01; B05B 9/0861;  
B05B 11/0005; B05B 11/0037

See application file for complete search history.

(56) **References Cited**

U.S. PATENT DOCUMENTS

D130,834 S *	12/1941	Woods .....	D13/112
5,667,141 A *	9/1997	Suttner .....	239/332
D405,756 S *	2/1999	Castelli, Jr. ....	D13/112
D433,997 S *	11/2000	Laituri et al. ....	D13/112
D503,380 S *	3/2005	Guion .....	D13/112
D547,014 S *	7/2007	Chen .....	D32/15
D622,215 S *	8/2010	Heimbruch et al. ....	D13/112

\* cited by examiner

*Primary Examiner* — Derrick Holland

(74) *Attorney, Agent, or Firm* — Lambert & Associates;  
Gary E. Lambert; David J. Connaughton, Jr.

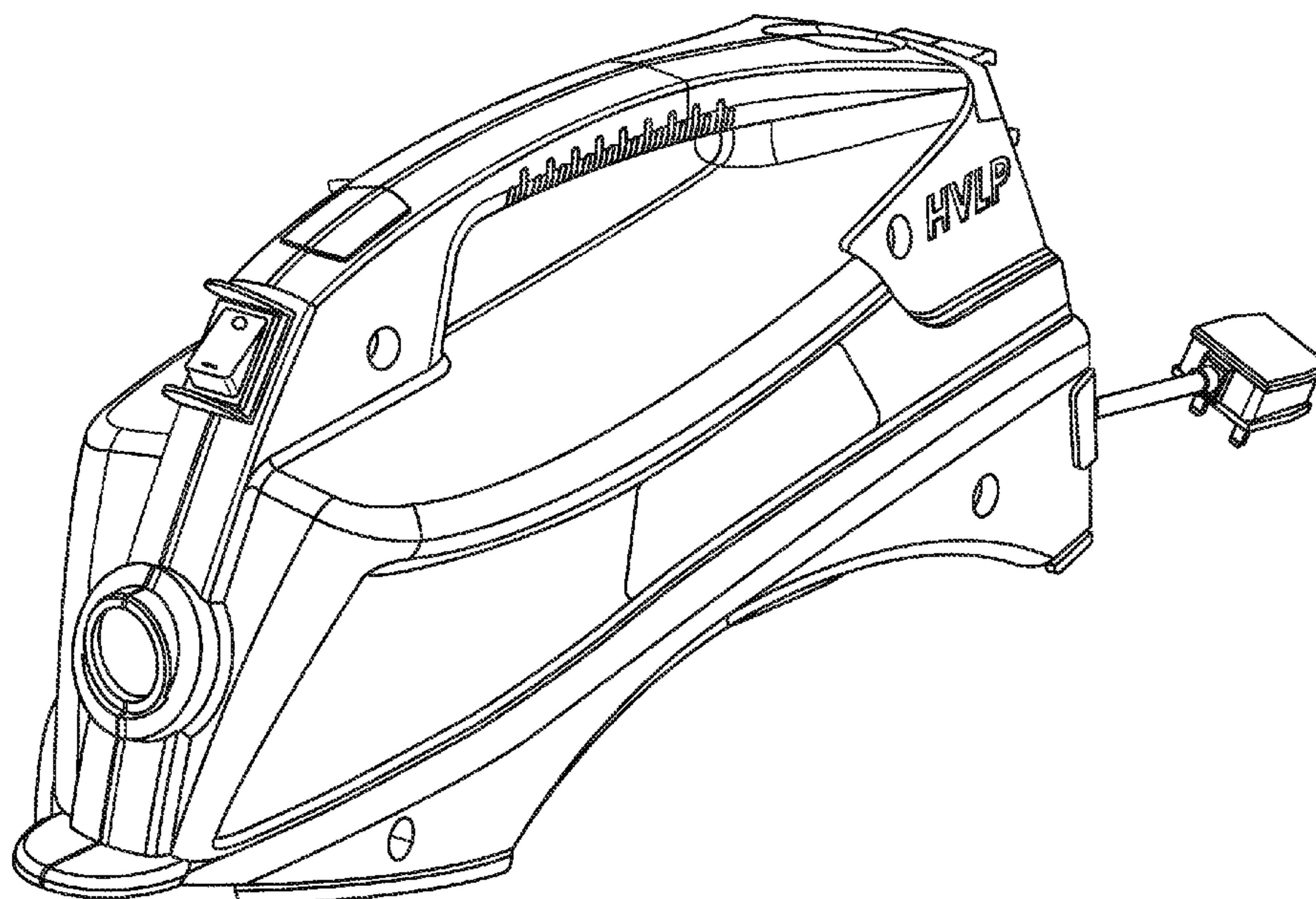
(57) **CLAIM**

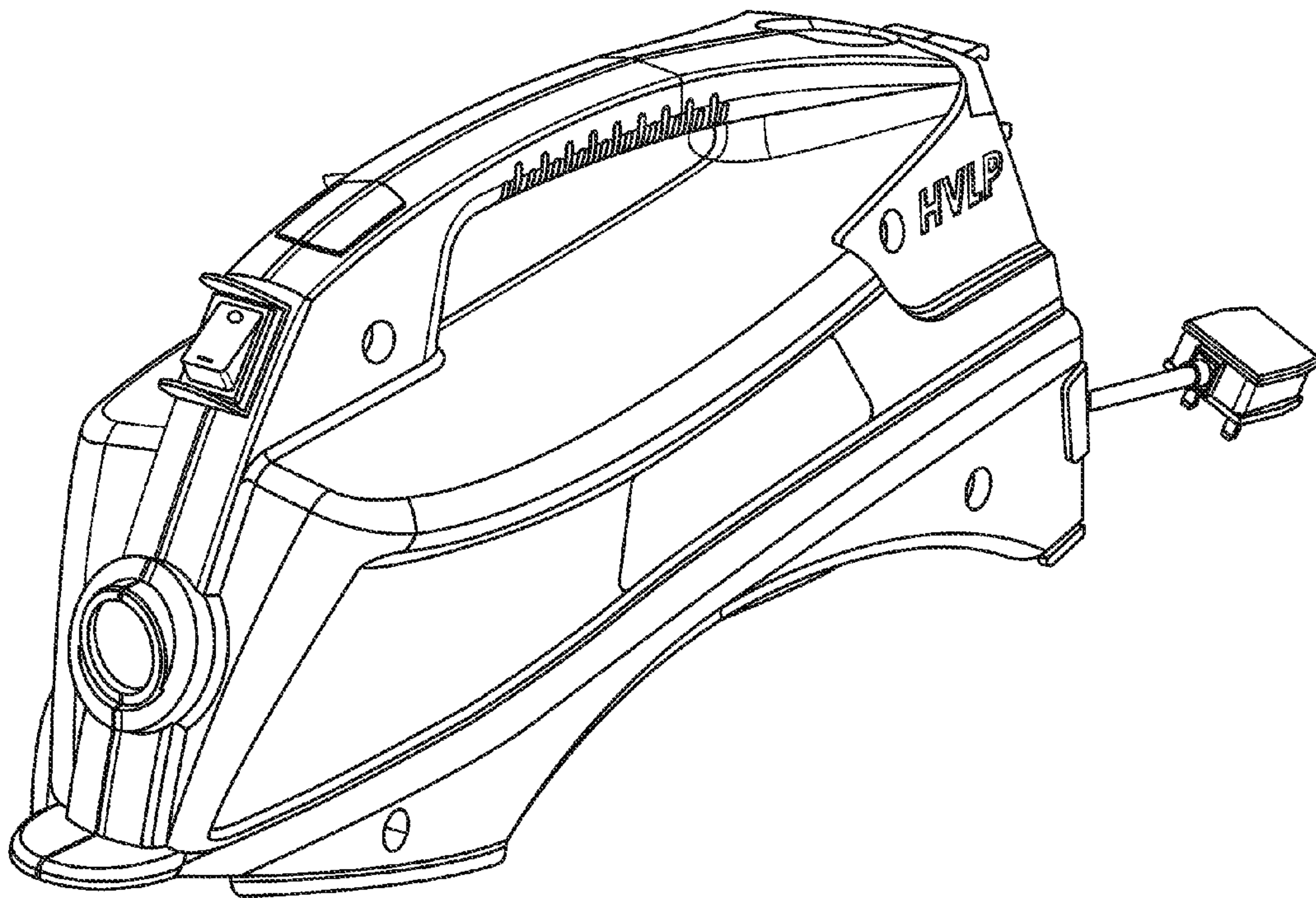
The ornamental design for a HLVP turbine unit, as shown and described.

**DESCRIPTION**

FIG. 1 is an isometric view of a HLVP turbine unit showing my new design;  
FIG. 2 is a left side view of the HLVP turbine unit;  
FIG. 3 is a right side view of the HLVP turbine unit;  
FIG. 4 is a top plan view of the HLVP turbine unit  
FIG. 5 is a bottom plan view of the HLVP turbine unit  
FIG. 6 is a front view of the HLVP turbine unit; and,  
FIG. 7 is a back view of the HLVP turbine unit.  
The broken lines shown represent unclaimed subject matter and form no part of the claimed design.

**1 Claim, 4 Drawing Sheets**





*Fig. 1*

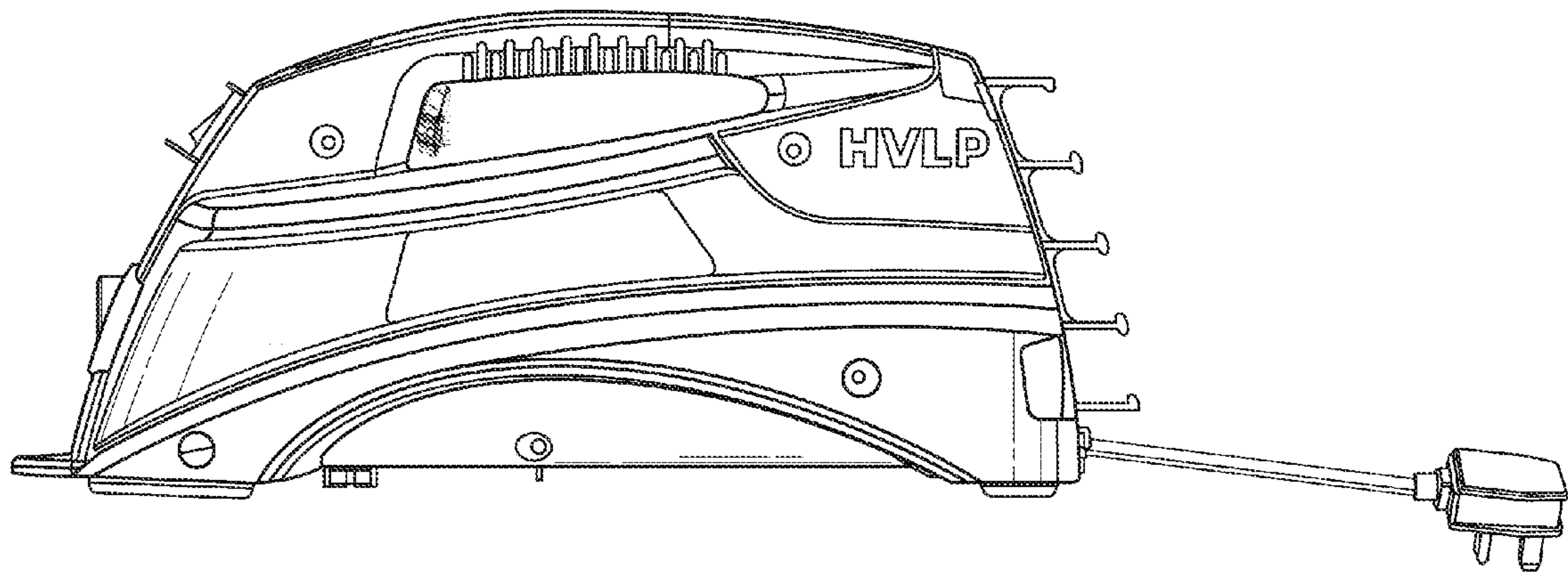


Fig. 2

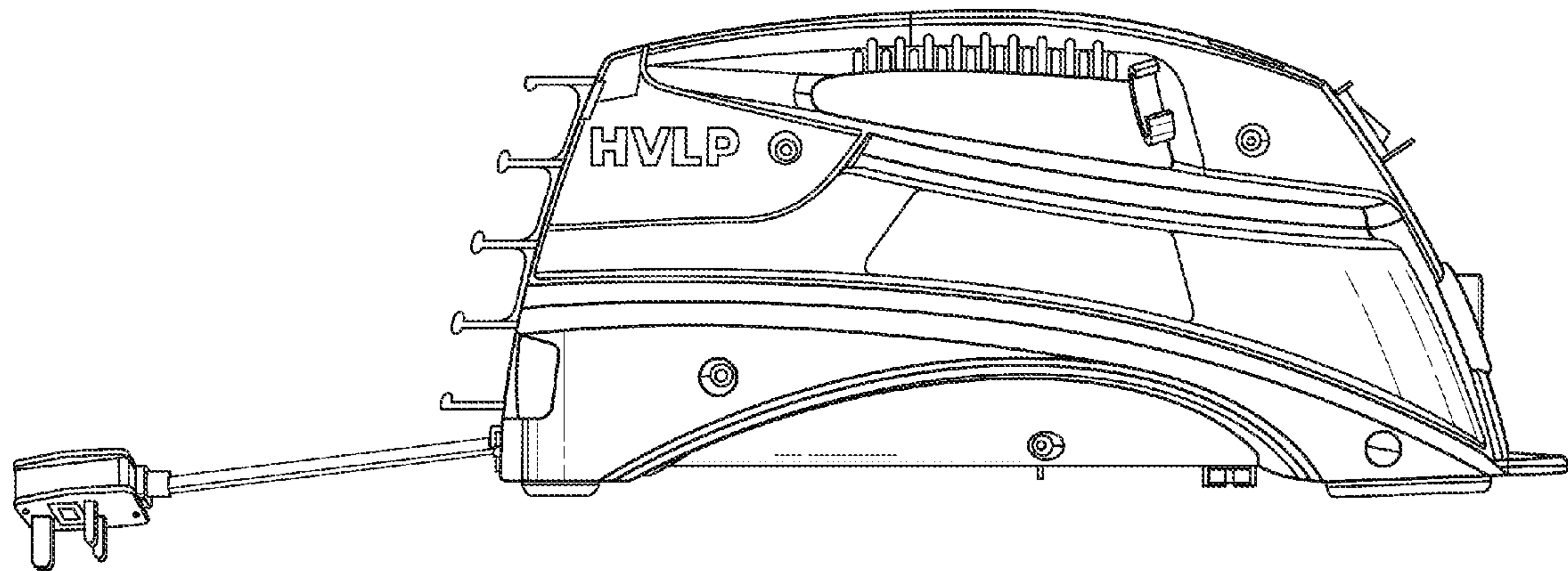
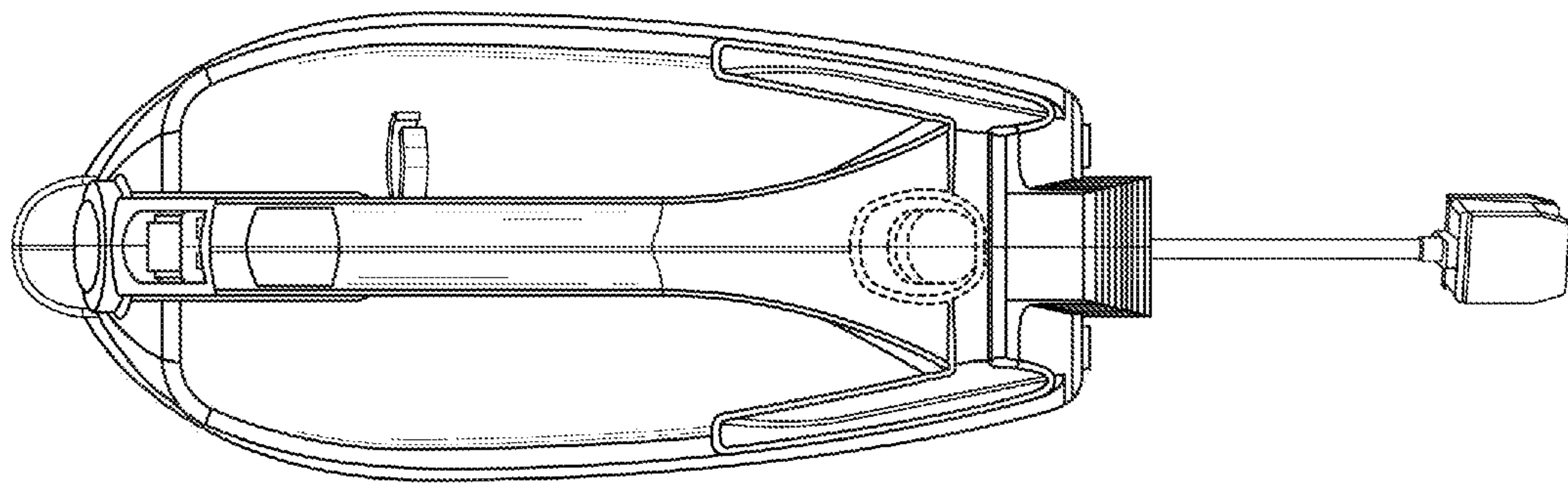
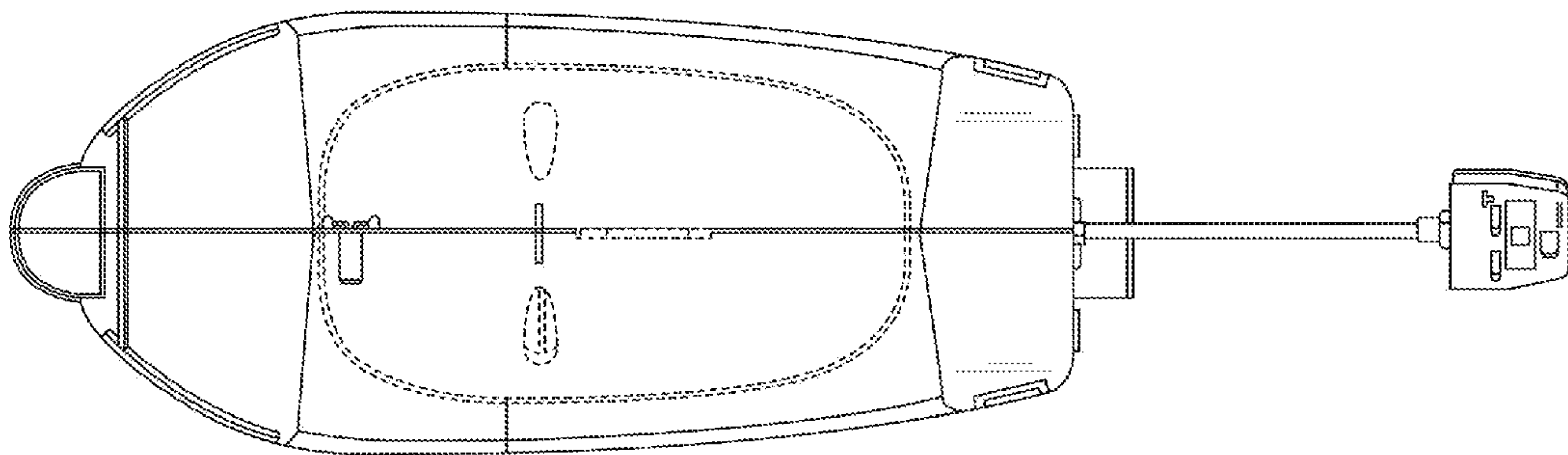


Fig. 3

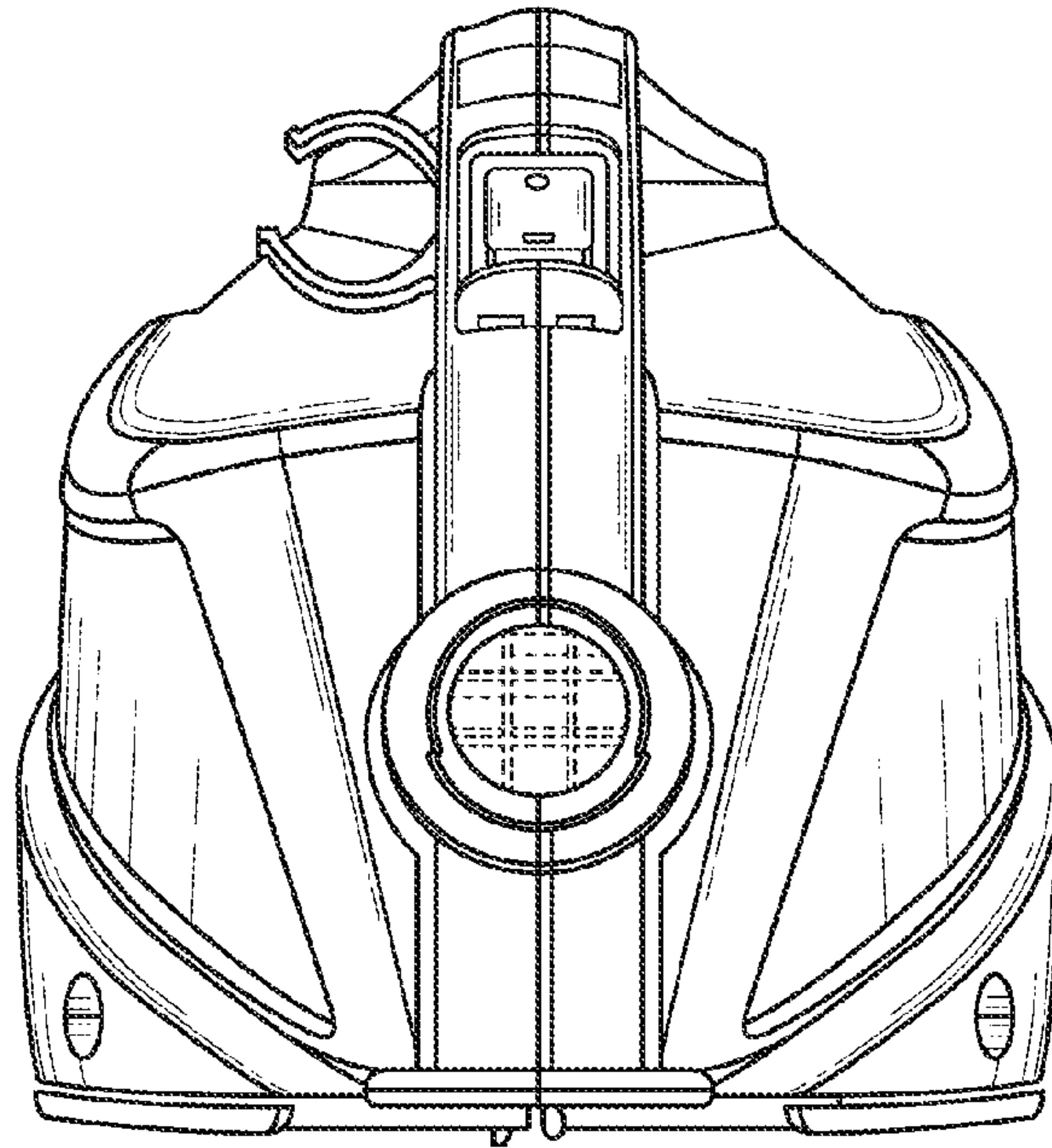




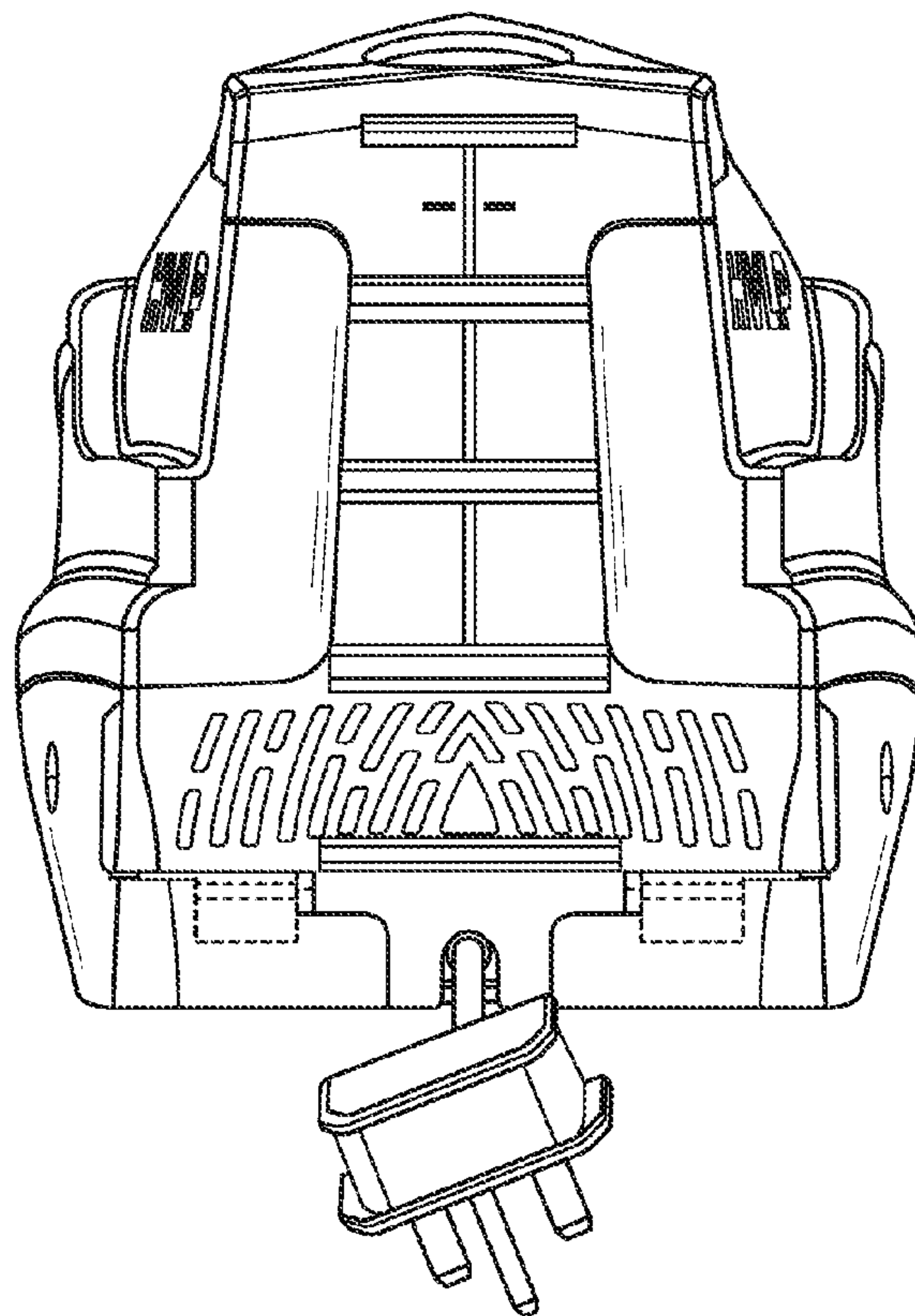
*Fig. 4*



*Fig. 5*



*Fig. 6*



*Fig. 7*