



US00D735662S

(12) **United States Design Patent**
Ward et al.

(10) **Patent No.:** **US D735,662 S**

(45) **Date of Patent:** **** Aug. 4, 2015**

(54) **CUBE CHARGE COVER**

(71) Applicant: **Just Off Center Innovations, LLC**,
Newport, RI (US)

(72) Inventors: **Matthew Ward**, Newport, RI (US);
Amanda Ward, Newport, RI (US); **Guy DeWardener**, Narragansett, RI (US);
Cheryl DeWardener, Narragansett, RI (US)

(73) Assignee: **Just Off Center Innovations, LLC**,
Newport, RI (US)

(**) Term: **14 Years**

(21) Appl. No.: **29/460,235**

(22) Filed: **Jul. 9, 2013**

(51) **LOC (10) Cl.** **13-02**

(52) **U.S. Cl.**
USPC **D13/108; D13/118**

(58) **Field of Classification Search**
USPC D13/107-110, 118-119, 184, 199;
D14/251, 253, 432, 434

CPC H02J 7/025; H02J 7/0042; H02J 7/0044;
H02J 7/0045; H02J 7/0054; H02J 7/0003;
B60L 11/182; Y02E 60/12; Y02T 10/7005;
Y02T 10/7088; Y02T 90/14; Y02T 90/163;
Y02T 90/122; Y02T 90/128; H01M 2/1022;
H01M 2/1055; H01M 10/46; H01M 10/44;
H01M 10/425; H01F 38/14; H01R 13/6675

See application file for complete search history.

(56) **References Cited**

U.S. PATENT DOCUMENTS

D611,415 S * 3/2010 Andre et al. D13/138.1
D623,136 S * 9/2010 Andre et al. D13/138.1
D627,728 S * 11/2010 Smith et al. D13/138.1
D627,729 S * 11/2010 Smith et al. D13/138.1

D642,524 S * 8/2011 Fitch et al. D13/110
D653,208 S * 1/2012 Au D13/108
D653,614 S * 2/2012 Au D13/108
D653,615 S * 2/2012 Au D13/108
D654,020 S * 2/2012 Au D13/108
D655,243 S * 3/2012 Au D13/108
D655,244 S * 3/2012 Au D13/108
D678,193 S * 3/2013 Siminoff et al. D13/108
D680,492 S * 4/2013 Smith et al. D13/110
D683,311 S * 5/2013 Siminoff et al. D13/108

(Continued)

Primary Examiner — Rosemary K Tarcza

(74) *Attorney, Agent, or Firm* — Fish & Richardson P.C.

(57) **CLAIM**

The ornamental design for a cube charge cover, as shown and described.

DESCRIPTION

FIG. 1 shows a perspective view of a design of a cube charge cover.

FIG. 2 shows a front view of the cube charge cover with a faceplate.

FIG. 3 shows a front view of the cube charge cover without a faceplate.

FIG. 4 shows a rear view of the cube charge cover.

FIG. 5 shows a right side view of the cube charge cover.

FIG. 6 shows a left side view of the cube charge cover.

FIG. 7 shows a top view of the cube charge cover with a faceplate.

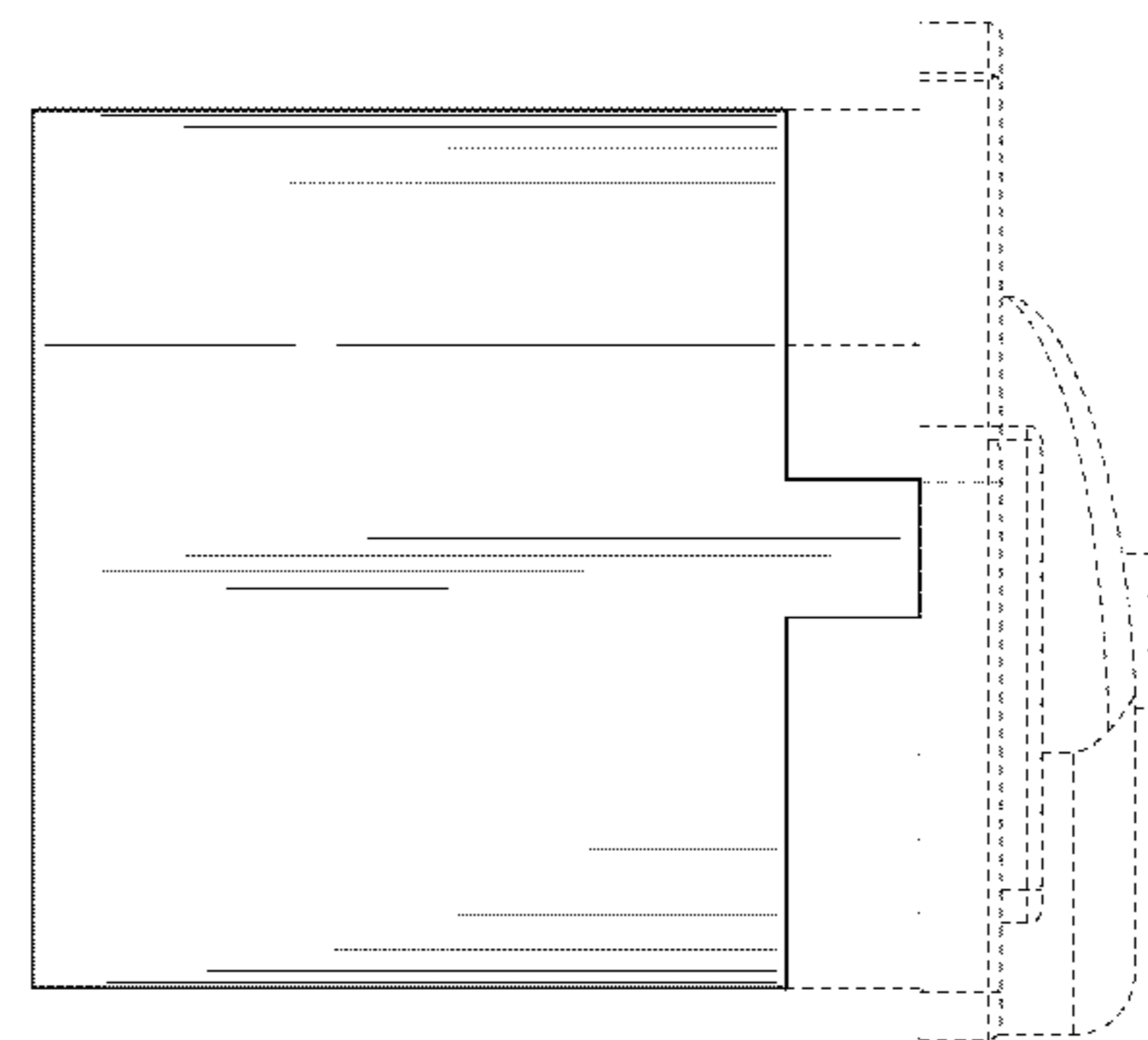
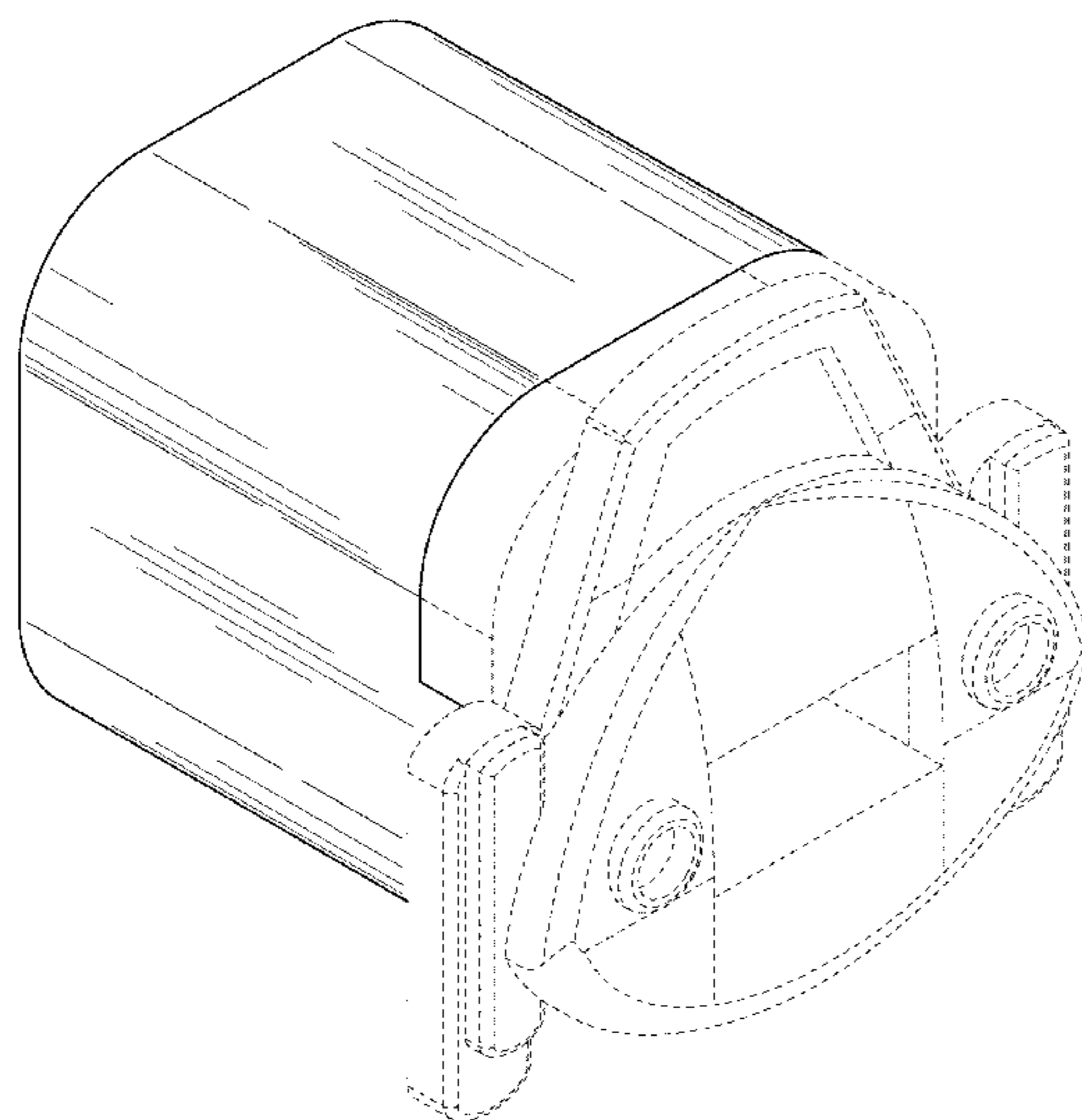
FIG. 8 shows a bottom view of the cube charge cover with a faceplate.

FIG. 9 shows a bottom view of the cube charge cover without a faceplate; and,

FIG. 10 shows a top view of the cube charge cover without a faceplate.

The broken lines shown in the drawings are included for the purpose of illustrating environmental structure and form no part of the claimed design.

1 Claim, 6 Drawing Sheets



US D735,662 S

Page 2

(56)

References Cited

U.S. PATENT DOCUMENTS

D702,631 S * 4/2014 Esses D13/108
2014/0111159 A1* 4/2014 Siminoff et al. 320/111

D683,314 S * 5/2013 Andre et al. D13/138.1 * cited by examiner

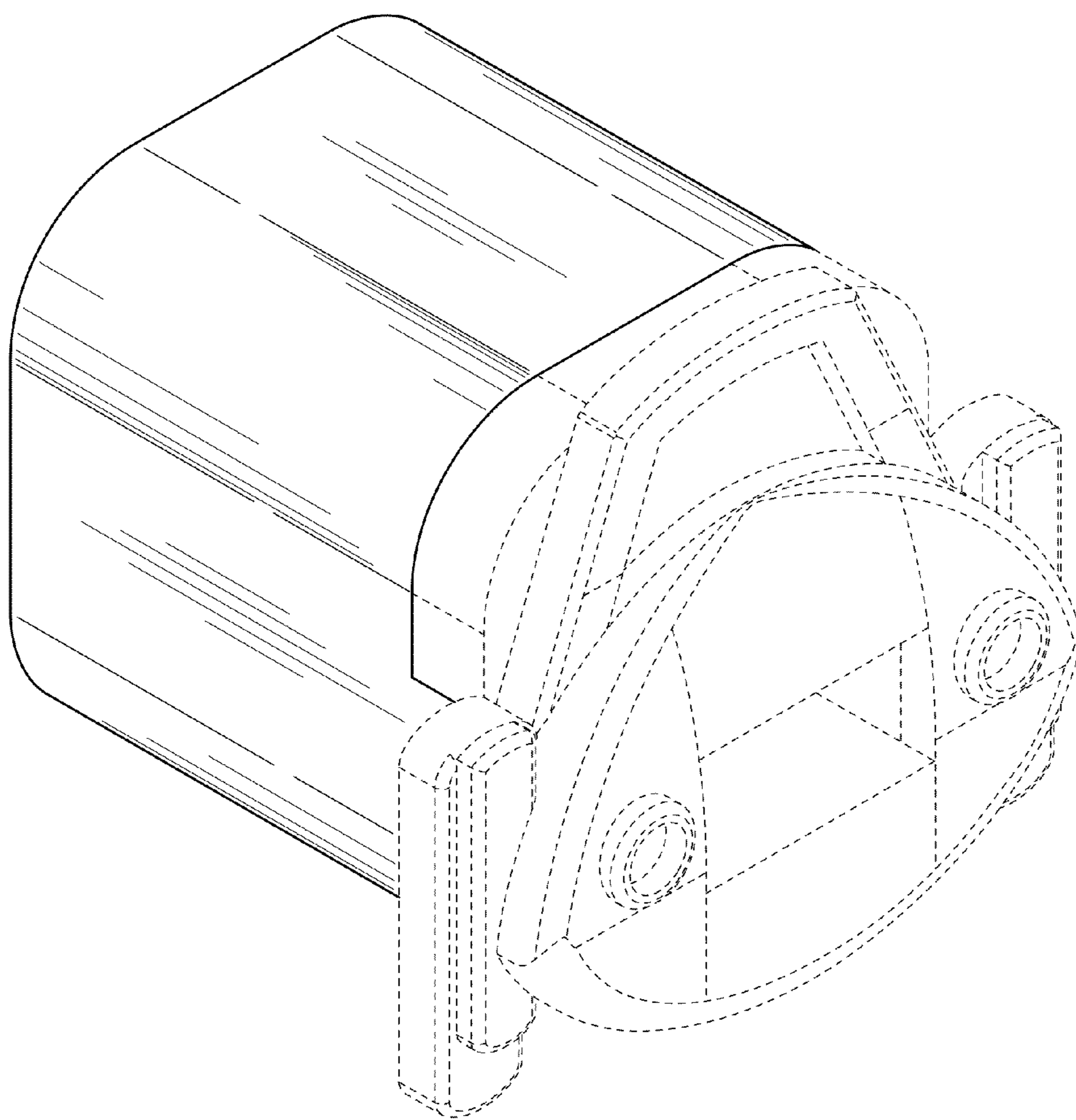


FIG. 1

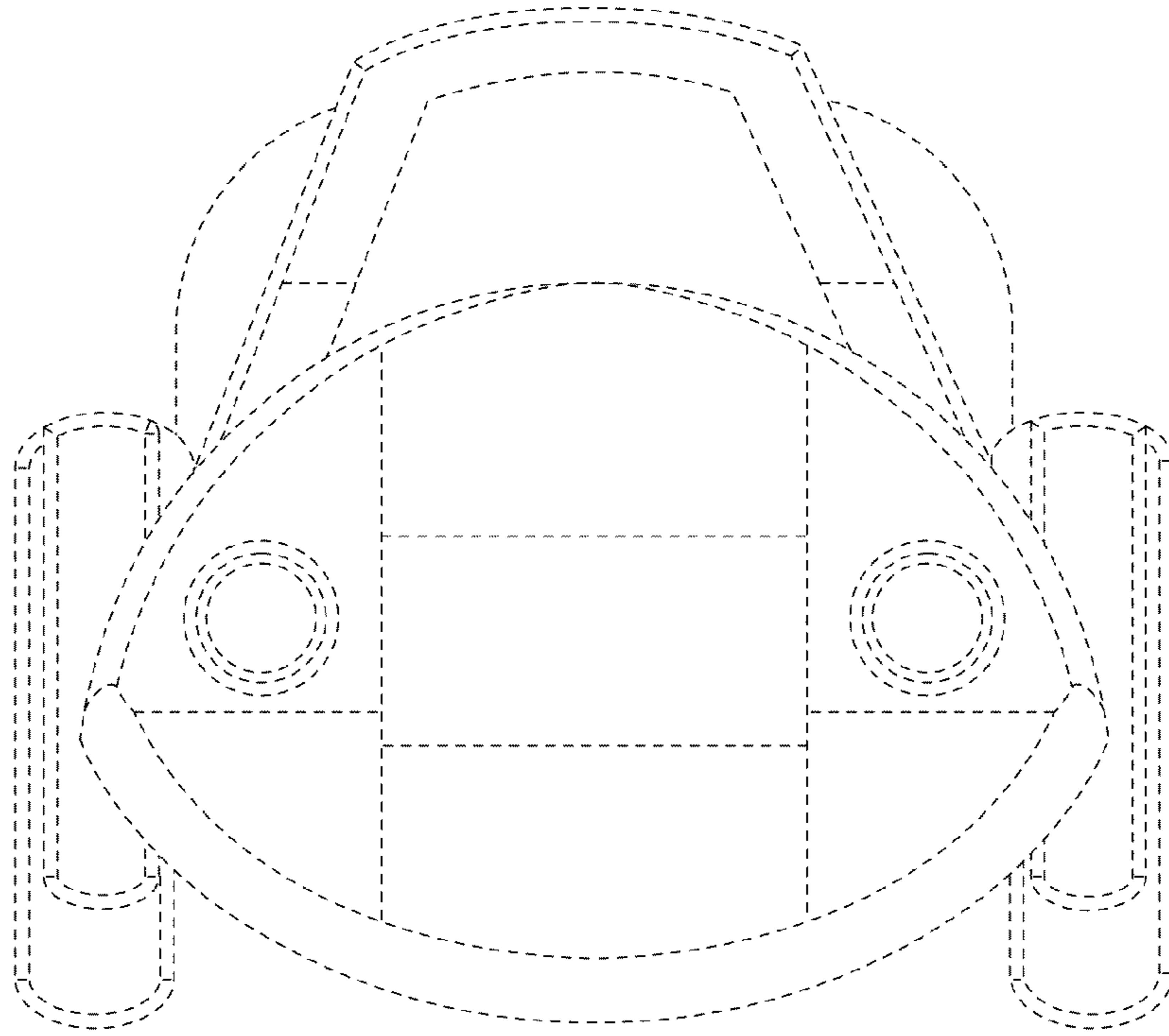


FIG. 2

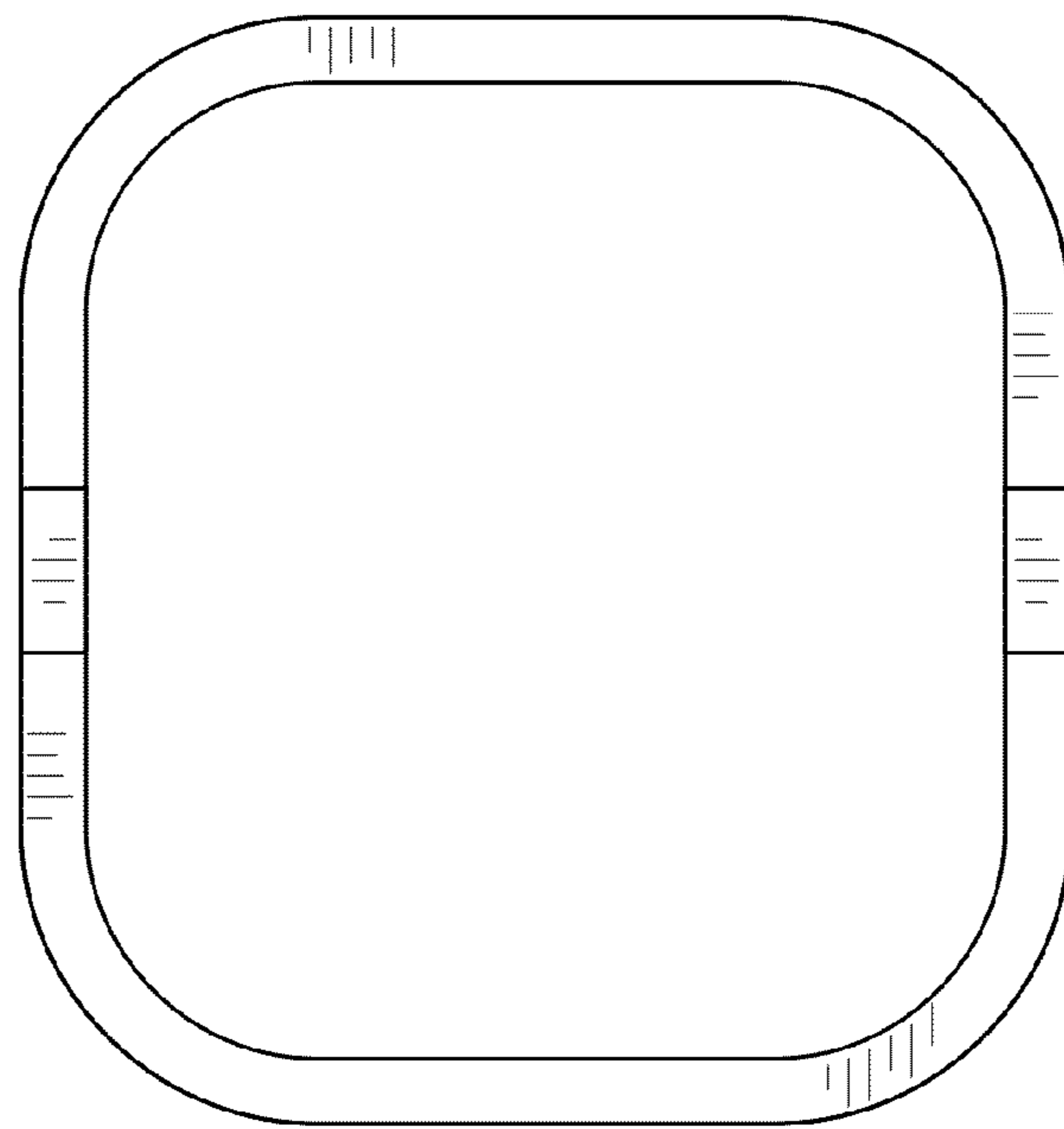


FIG. 3

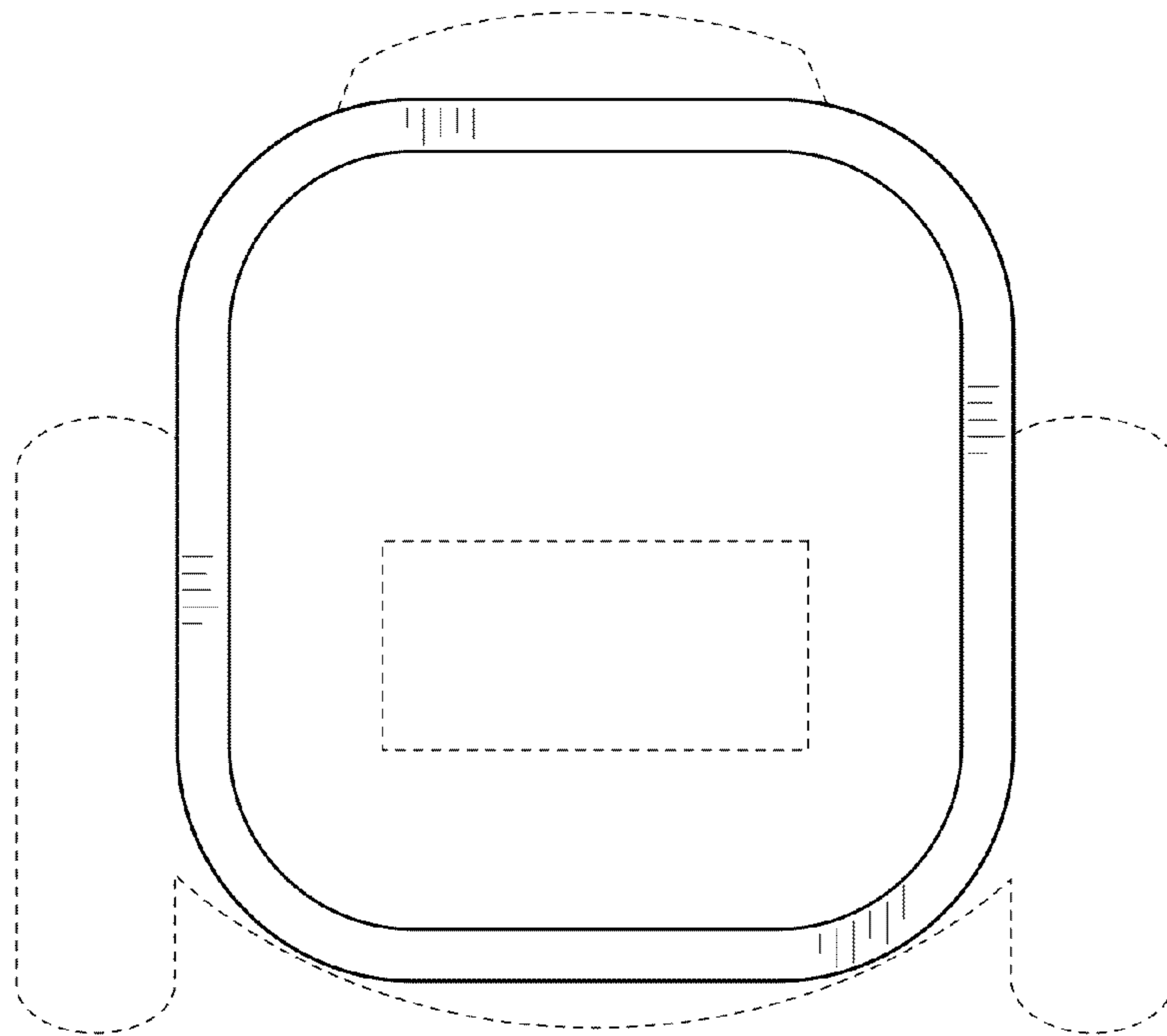


FIG. 4

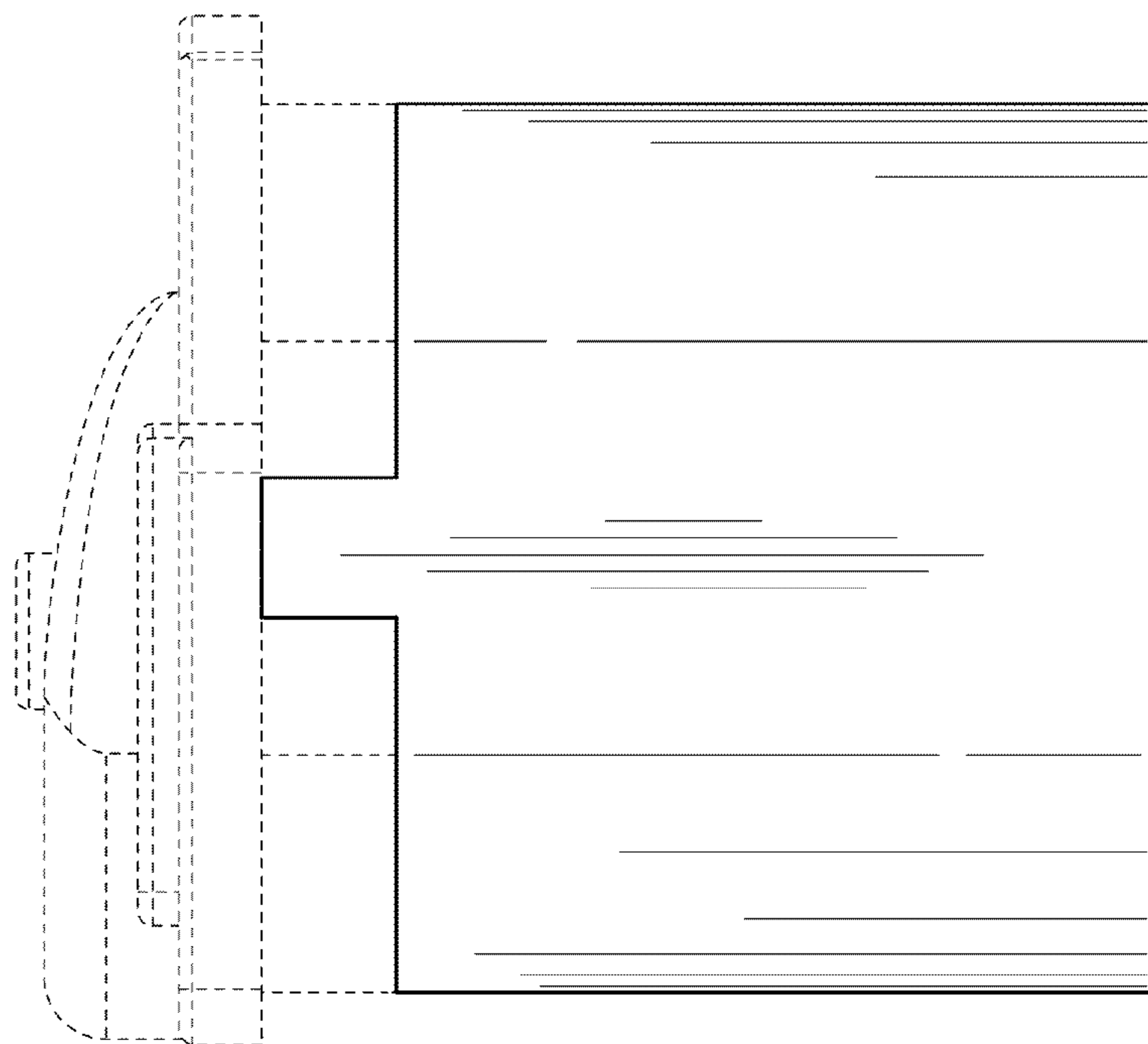


FIG. 5

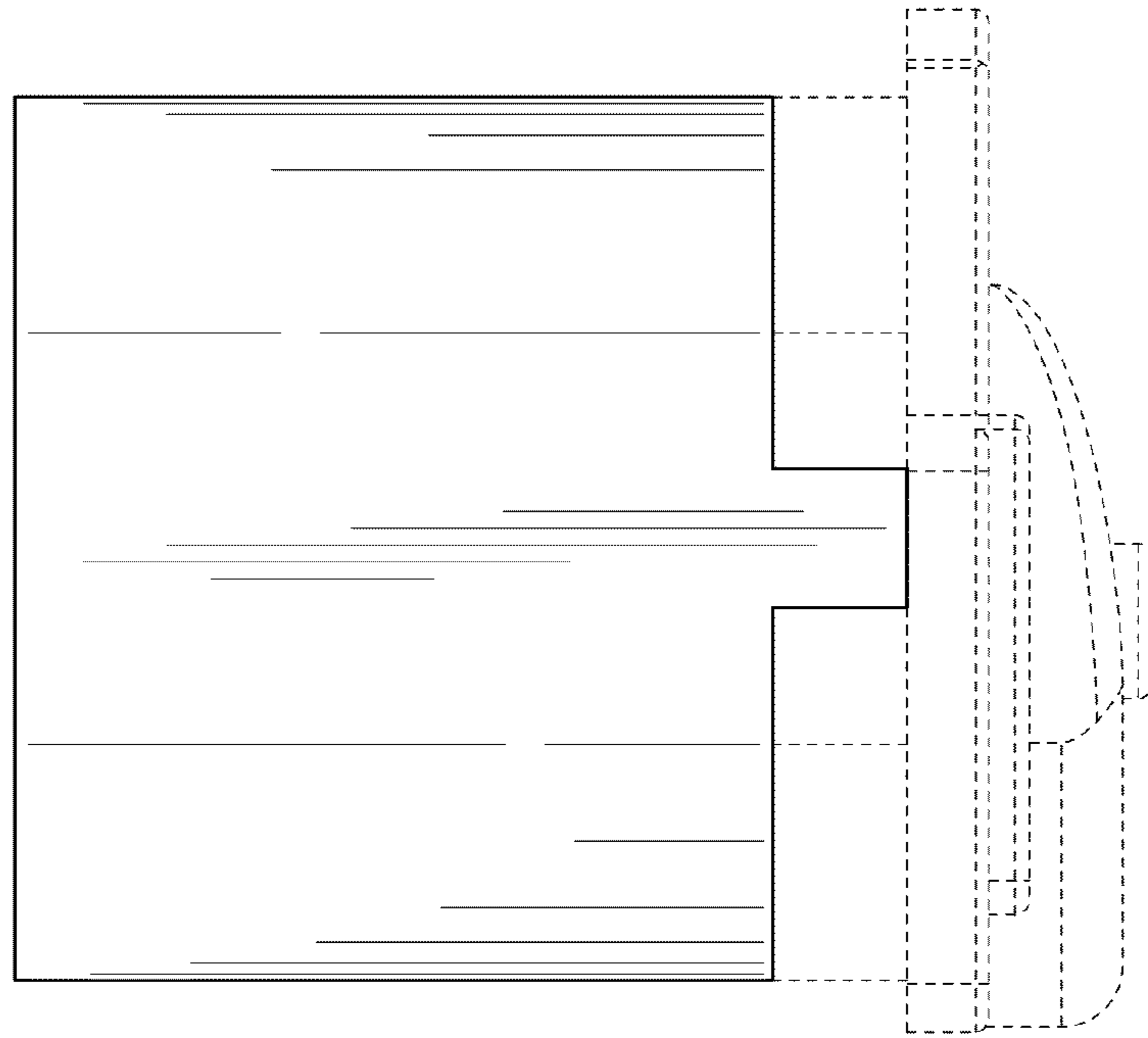


FIG. 6

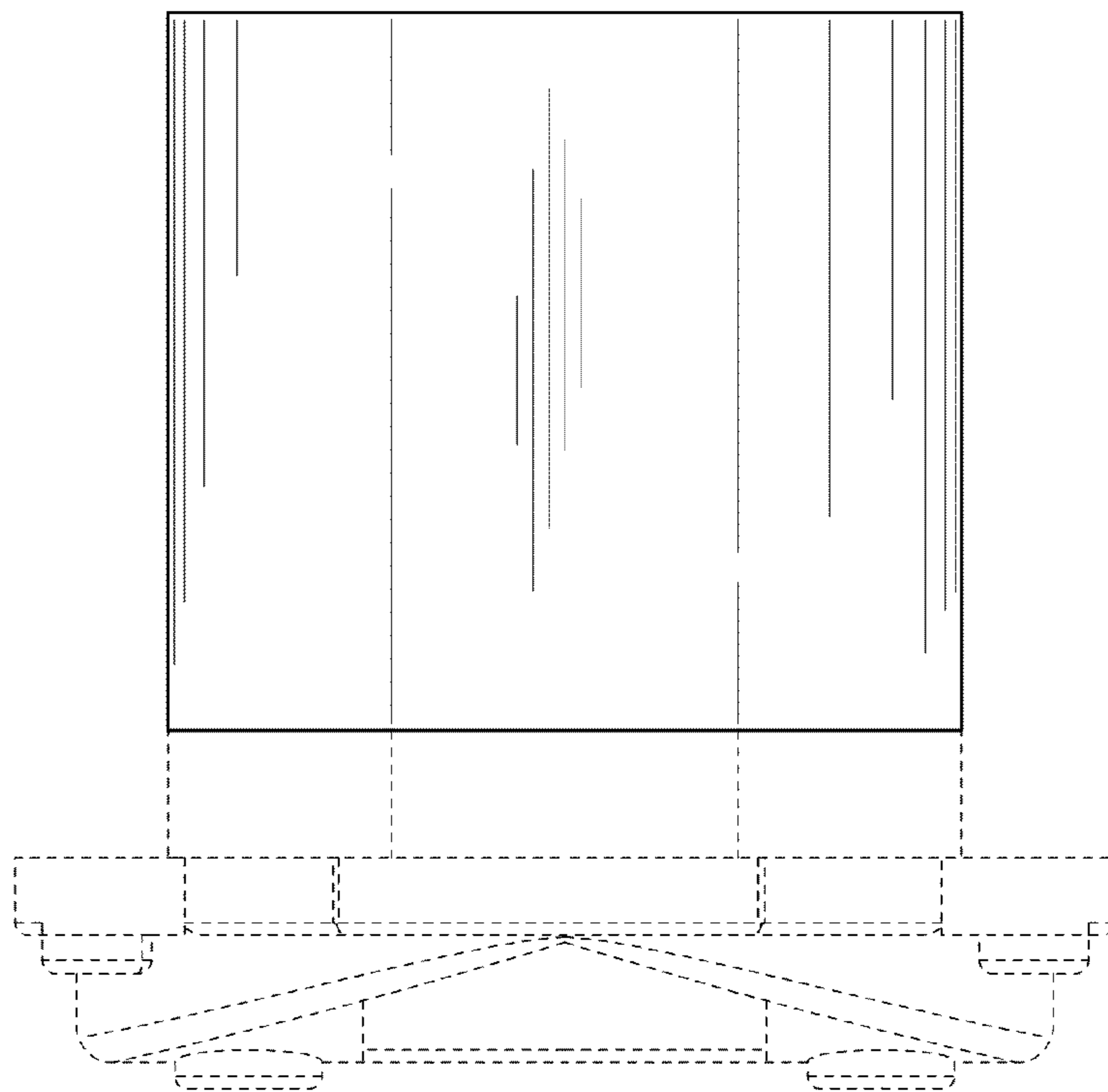


FIG. 7

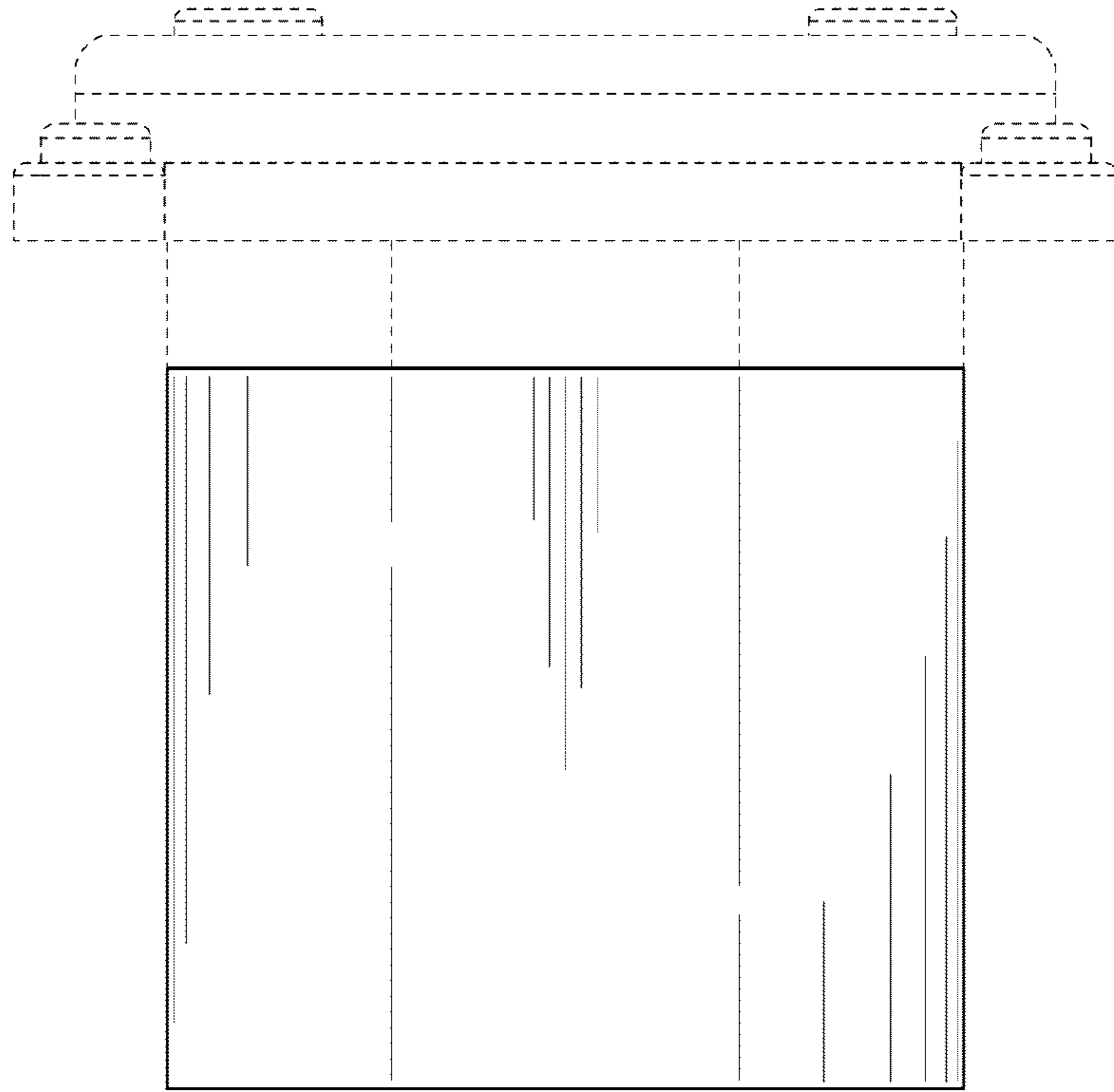


FIG. 8

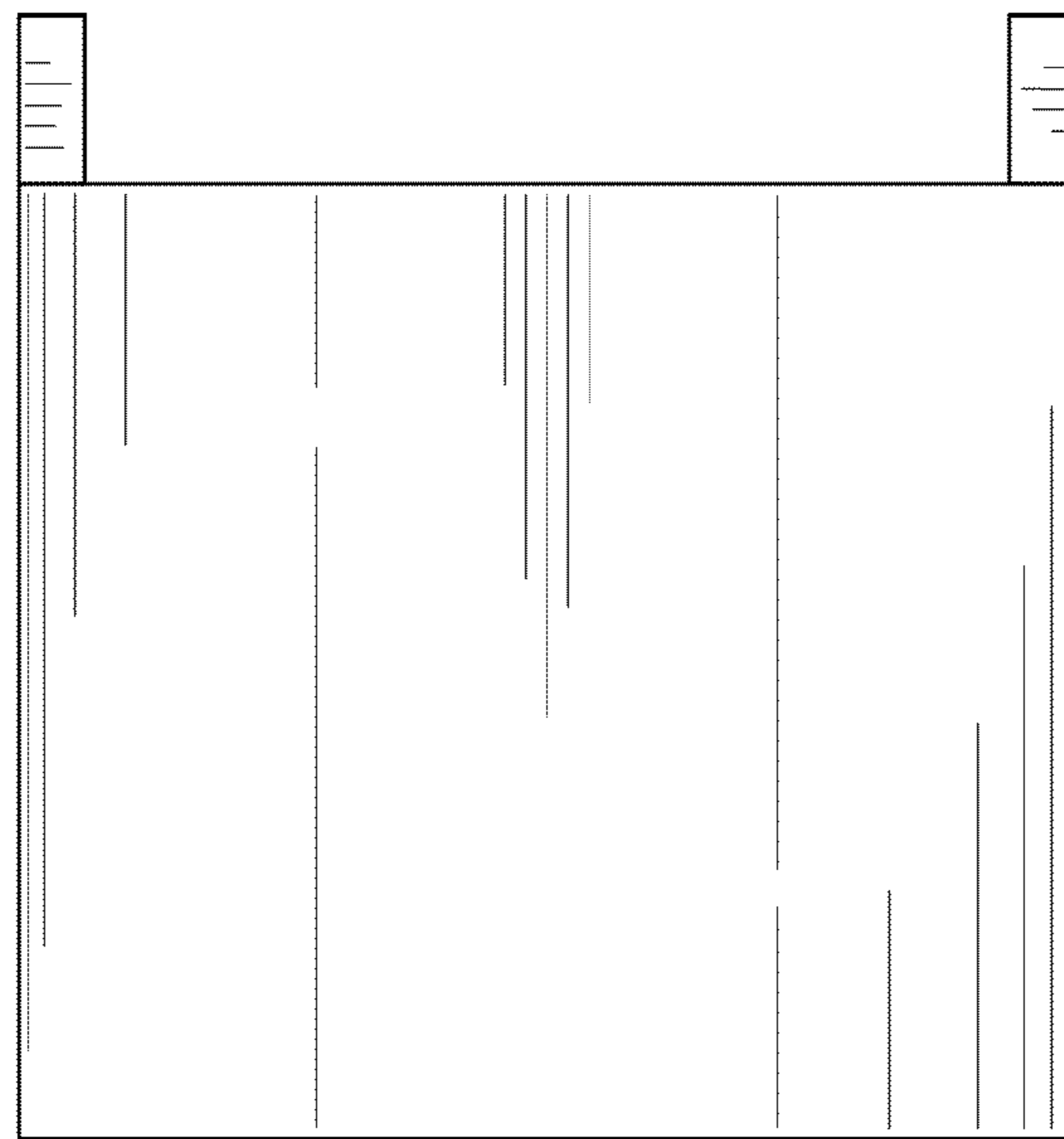


FIG. 9

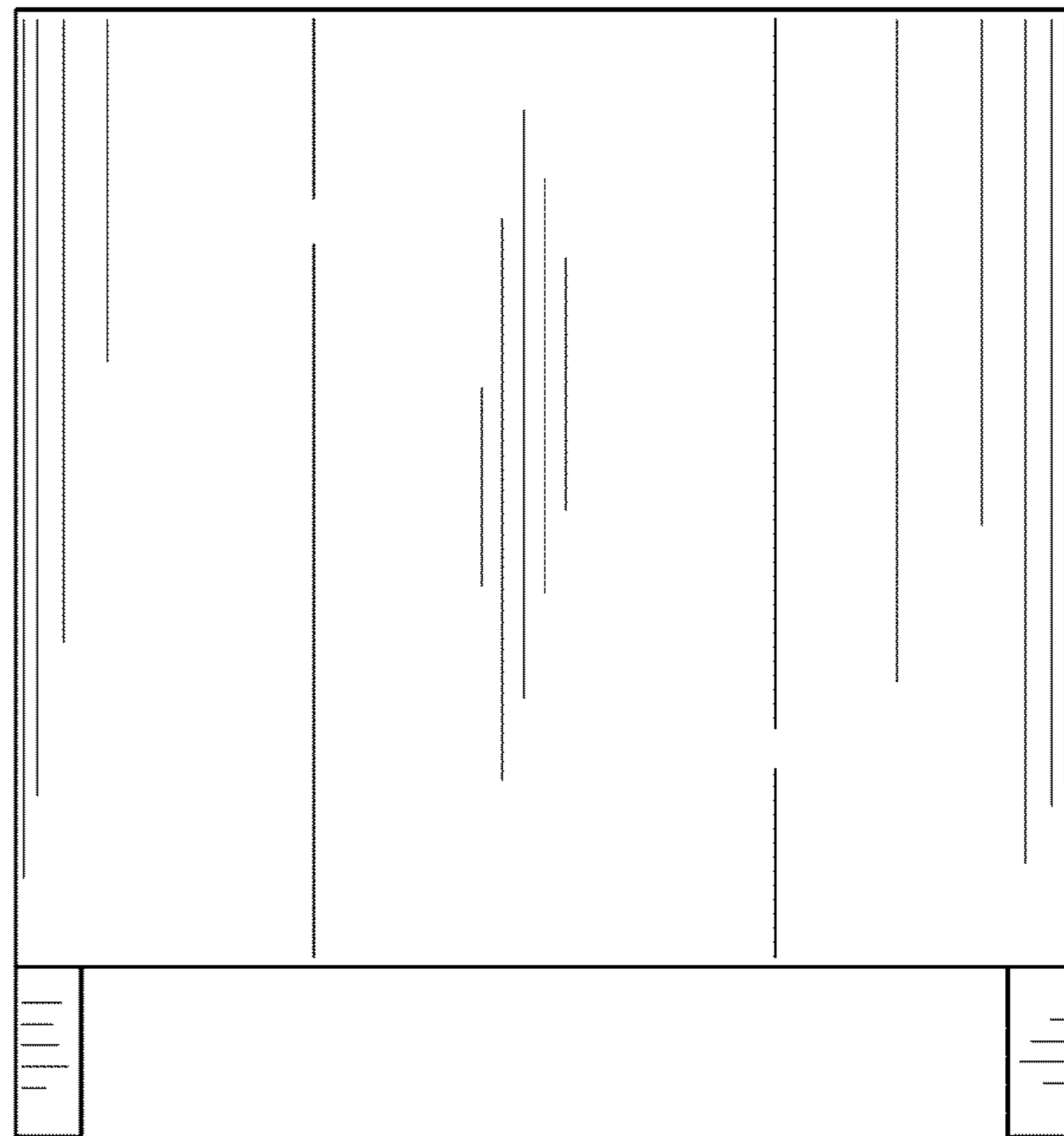


FIG. 10