



US00D735661S

(12) **United States Design Patent**
Miller et al.

(10) **Patent No.:** **US D735,661 S**
(45) **Date of Patent:** **** Aug. 4, 2015**

(54) **PORTABLE POWER CHARGER WITH FLASHLIGHT**

(71) Applicants: **Garold C. Miller**, Glastonbury, CT (US); **Nathan Daniel Weinstein**, Glastonbury, CT (US)

(72) Inventors: **Garold C. Miller**, Glastonbury, CT (US); **Nathan Daniel Weinstein**, Glastonbury, CT (US)

(73) Assignee: **Halo2Cloud**, Glastonbury, CT (US)

(**) Term: **14 Years**

(21) Appl. No.: **29/449,666**

(22) Filed: **Mar. 15, 2013**

Related U.S. Application Data

(63) Continuation of application No. 13/800,825, filed on Mar. 13, 2013.

(51) **LOC (10) Cl.** **13-02**

(52) **U.S. Cl.**
USPC **D13/108; D13/103; D26/38**

(58) **Field of Classification Search**
USPC D13/102–110, 118–119, 184, 199;
D14/356, 432; 320/103, 111–115,
320/135–146; 362/253, 200–202, 204–205,
362/194–196; D26/37–38, 46, 48, 50–52
See application file for complete search history.

(56) **References Cited**

U.S. PATENT DOCUMENTS

D179,114 S *	11/1956	Brody	D3/209
D277,415 S *	1/1985	Berger	D26/46
D320,600 S *	10/1991	Yuen	D14/168
D371,616 S *	7/1996	Porth et al.	D26/38
D532,372 S *	11/2006	Keating	D13/108
D532,745 S *	11/2006	Gaber et al.	D13/108
D539,218 S *	3/2007	Gaber et al.	D13/108
D562,480 S *	2/2008	Spartano et al.	D26/46
D598,374 S *	8/2009	Sasada	D13/108

(Continued)

OTHER PUBLICATIONS

Cheap 2500mAh Mobile External Power Battery Charger for iPho . . . , <http://www.everbuying.com/product172197.html>, entitled “2500mAh Mobile External Power Battery Charger for iPhone 4/4S, Various Mobile Phones and Digital Devices”, dated Dec. 28, 2012, pp. 1 through 7.

(Continued)

Primary Examiner — Rosemary K Tarcza

(74) *Attorney, Agent, or Firm* — McCormick, Paulding & Huber, LLP

(57) **CLAIM**

The ornamental design for a portable power charger with flashlight, substantially as shown.

DESCRIPTION

FIG. 1 is a front, top, left-hand side perspective view of a portable power charger with flashlight comprising a first embodiment of a new, original and ornamental design;

FIG. 2 is a front view thereof;

FIG. 3 is a bottom view thereof;

FIG. 4 is a rear thereof; and

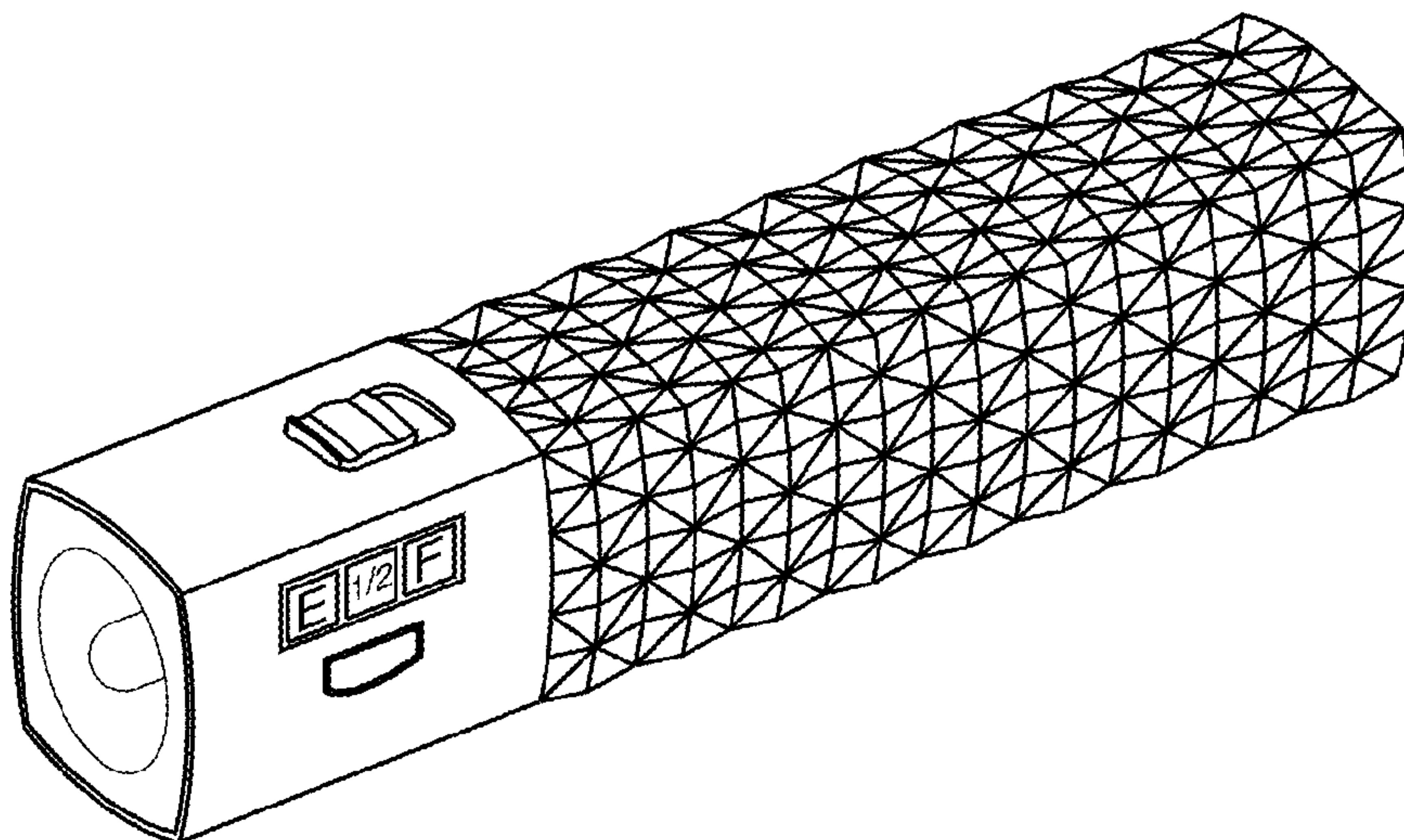
FIG. 5 is a top view thereof;

FIG. 6 is a left-hand side view thereof; and,

FIG. 7 is a right-hand side view thereof.

The broken line portion of the figure drawings is included to show unclaimed subject matter only and forms no part of the claimed design.

1 Claim, 2 Drawing Sheets



(56)

References Cited

OTHER PUBLICATIONS

U.S. PATENT DOCUMENTS

D645,816 S * 9/2011 Sasada et al. D13/108
D645,817 S * 9/2011 Sasada et al. D13/108
D665,346 S * 8/2012 Kumagai et al. D13/108
D676,993 S * 2/2013 Kotsis et al. D26/46
D686,155 S 7/2013 Nguyen
D690,449 S * 9/2013 Yeh D26/46
D695,216 S * 12/2013 Miller et al. D13/108
D702,632 S * 4/2014 Salmon D13/108
D703,134 S * 4/2014 Wong D13/108
D711,820 S * 8/2014 Zeng D13/108
D713,335 S * 9/2014 Mao D13/108
2007/0241721 A1 * 10/2007 Weinstein et al. 320/114

Amazon.com: Anker® Astro Mini 2600mAh—Ultra-Compant
Li . . . , [http://www.amazon.com/gp/product/Boo5X1Y7I2/ref=oh_](http://www.amazon.com/gp/product/Boo5X1Y7I2/ref=oh_...)
details . . . , dated Dec. 28, 2012, pp. 1 through 6.
Cheap 2600mAh Aluminum Tubes Cylindrical Mobile Power
for . . . , <http://www/everbuying.com/product170.html>, entitled
“2600mAh Aluminum Tubes Cylindrical Mobile Power for iPhone
4/4S, Various Cell Phones and Digital Devices (Rose)”, dated Dec.
28, 2012, pp. 1 through 7.

* cited by examiner

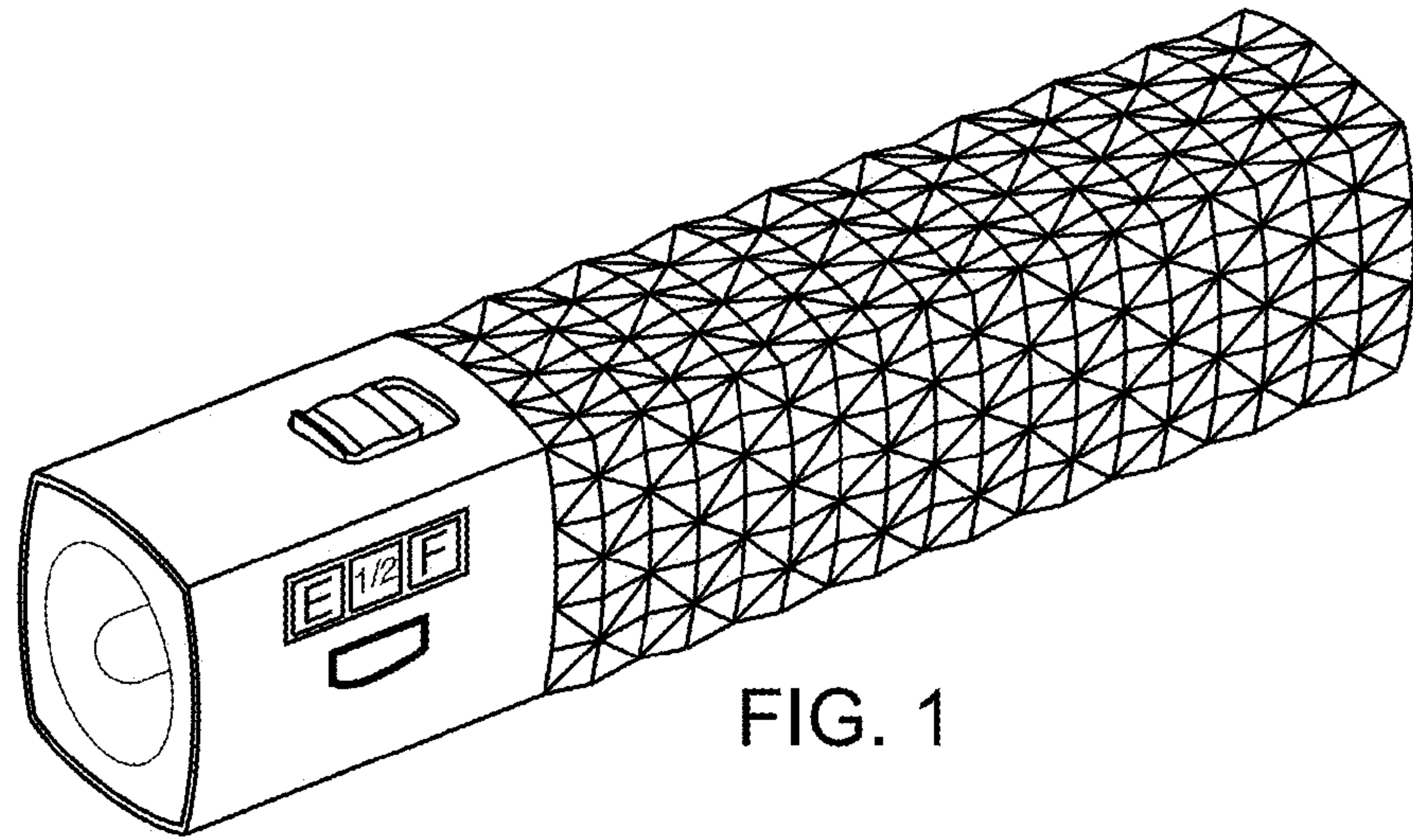


FIG. 1

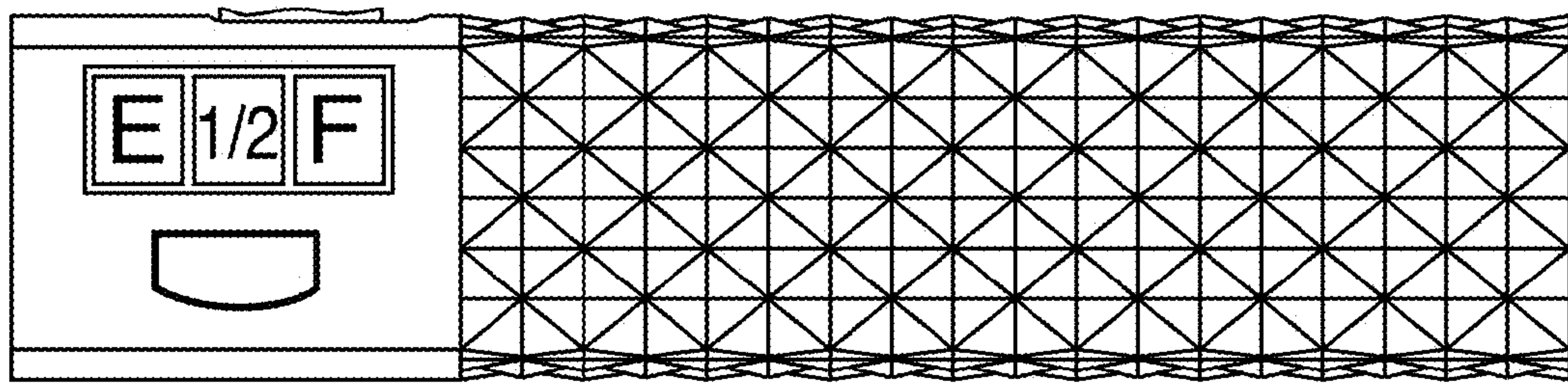


FIG. 2

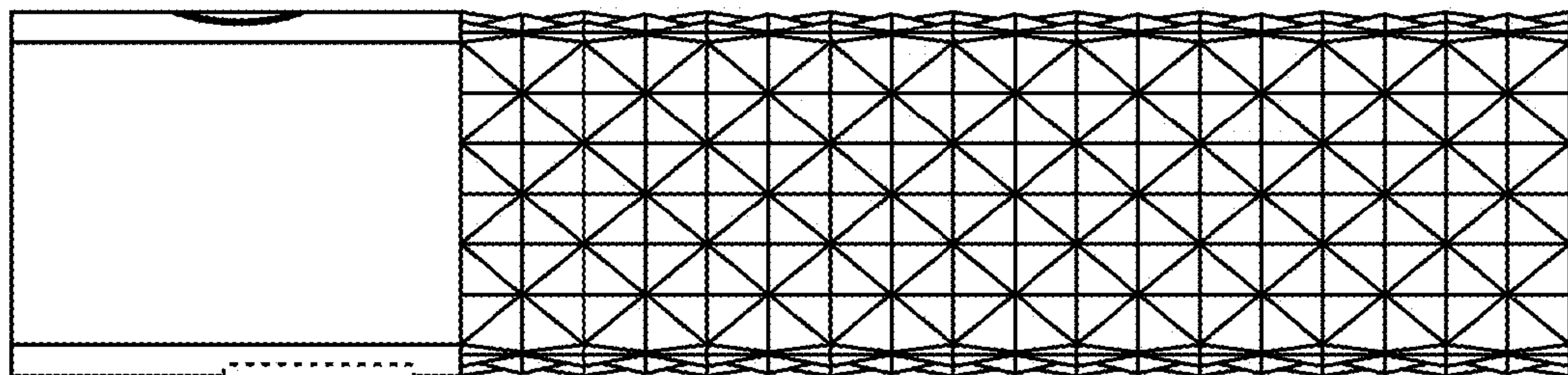


FIG. 3

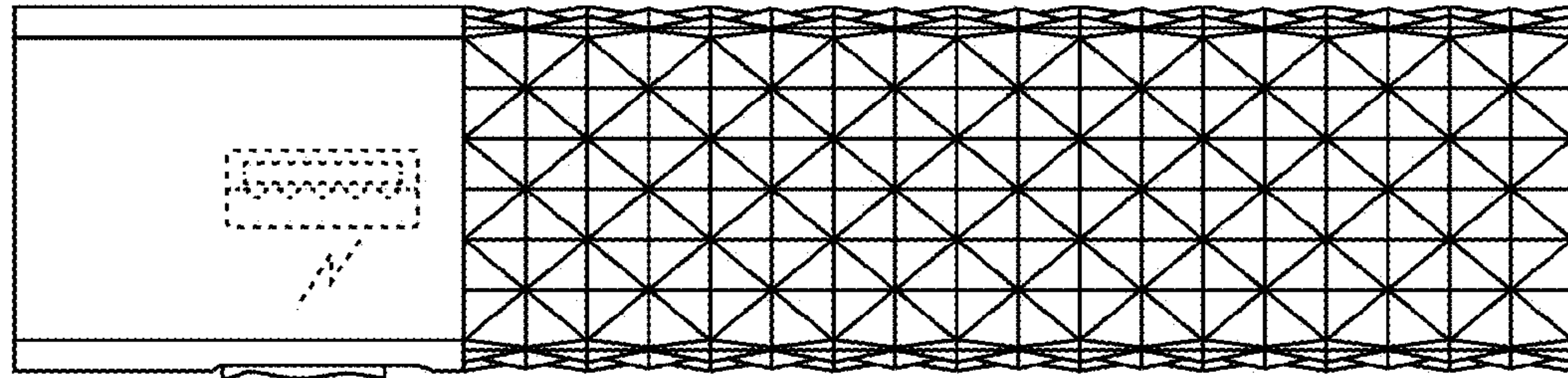


FIG. 4

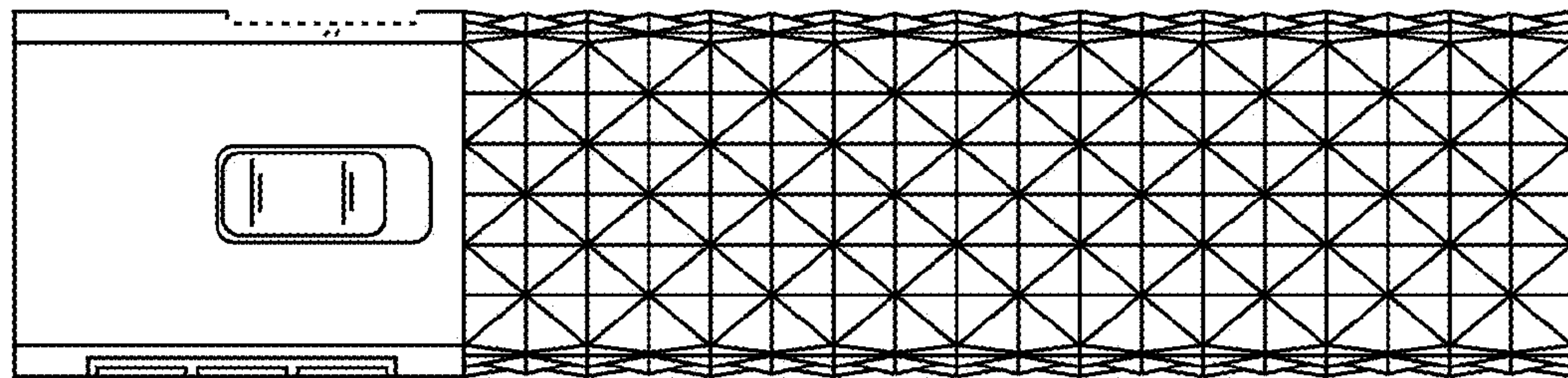


FIG. 5

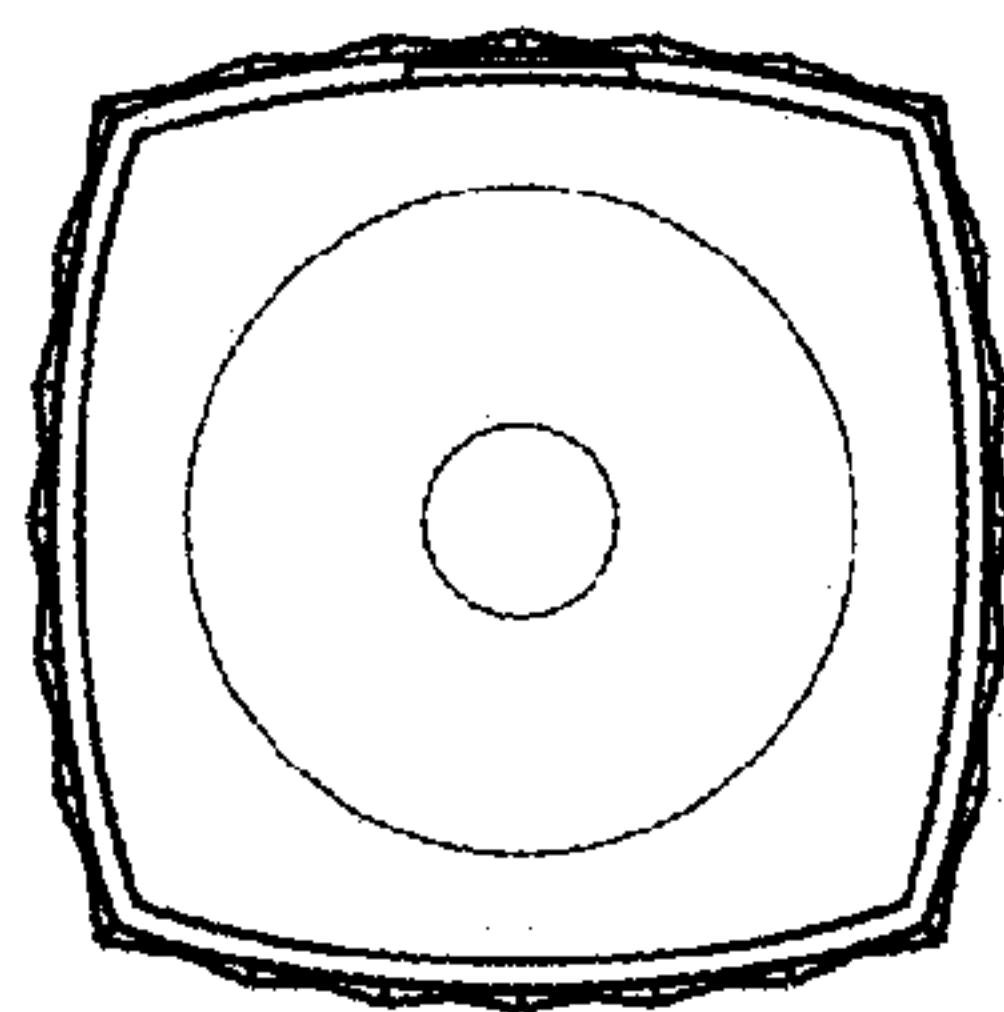


FIG. 6

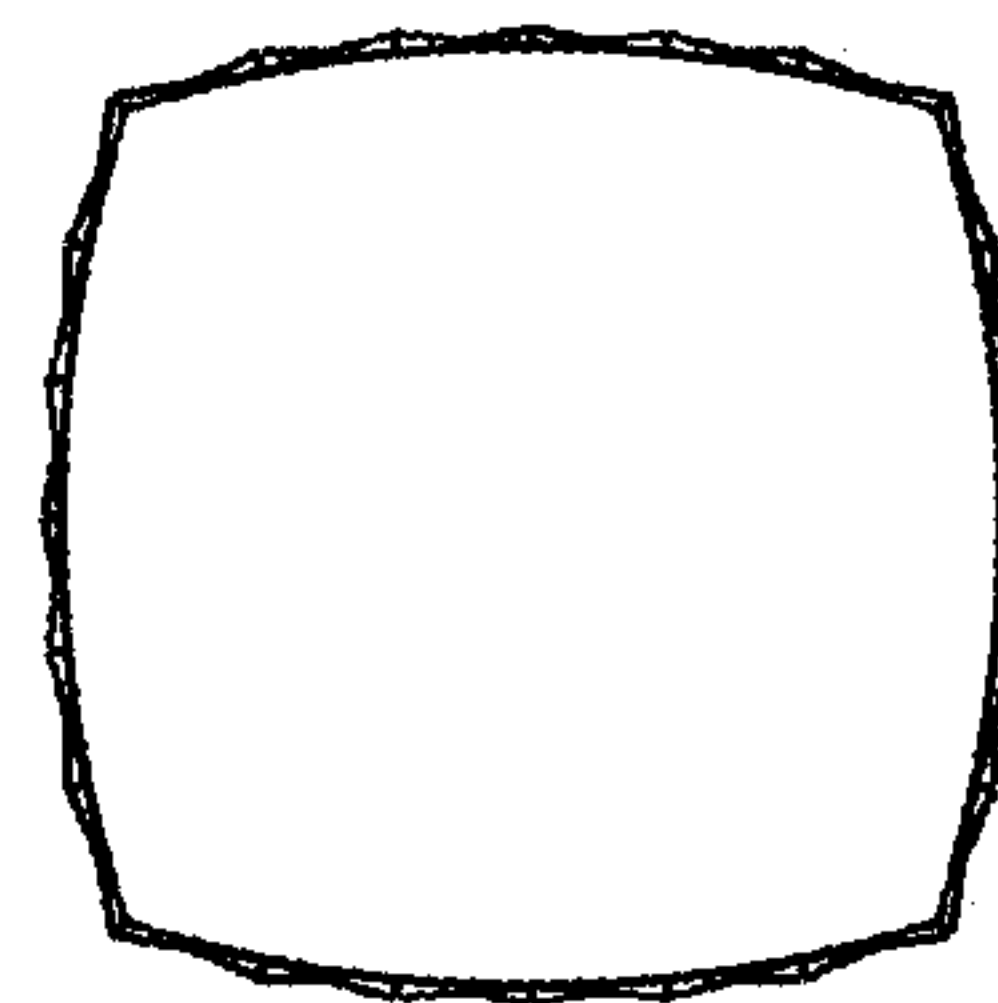


FIG. 7

UNITED STATES PATENT AND TRADEMARK OFFICE
CERTIFICATE OF CORRECTION

PATENT NO. : D735,661 S
APPLICATION NO. : 29/449666
DATED : August 4, 2015
INVENTOR(S) : Garold C. Miller et al.

Page 1 of 1

It is certified that error appears in the above-identified patent and that said Letters Patent is hereby corrected as shown below:

On the Title Page:

Please change Item (63) Related U.S. Application Data as follows:

Continuation of application No. 13/800,825 filed on March 13, 2013 and U.S. Provisional Application
No. 61/733,145 filed December 4, 2012.

Signed and Sealed this
Twenty-third Day of August, 2016



Michelle K. Lee
Director of the United States Patent and Trademark Office