



US00D735647S

(12) **United States Design Patent**  
**Buchinger-Barnstorf et al.**

(10) **Patent No.:** **US D735,647 S**

(45) **Date of Patent:** **\*\* Aug. 4, 2015**

(54) **TIRE TREAD FOR A VEHICLE TIRE**

(56)

**References Cited**

(71) Applicant: **Continental Reifen Deutschland GmbH**, Hannover (DE)

(72) Inventors: **Thomas Buchinger-Barnstorf**, Wennigsen (DE); **Florian Kristen**, Hanover (DE)

(73) Assignee: **Continental Reifen Deutschland GmbH**, Hannover (DE)

(\*\*) Term: **14 Years**

(21) Appl. No.: **29/432,944**

(22) Filed: **Sep. 24, 2012**

(30) **Foreign Application Priority Data**

May 4, 2012 (EM) ..... 002037119-0001

(51) **LOC (10) Cl.** ..... **12-15**

(52) **U.S. Cl.**  
USPC ..... **D12/598**

(58) **Field of Classification Search**  
USPC ..... D12/569–603, 900–901;  
152/209.1–209.9, 209.11–209.19,  
152/209.21–209.28, 455

See application file for complete search history.

U.S. PATENT DOCUMENTS

D390,170 S *	2/1998	Stone et al. ....	D12/590
D484,456 S *	12/2003	Irimiya .....	D12/590
D606,011 S *	12/2009	Ohara .....	D12/590
D608,727 S *	1/2010	Brown et al. ....	D12/583
D652,370 S *	1/2012	Buchinger-Barnstorf ...	D12/588
D652,785 S *	1/2012	Rittweger et al. ....	D12/590
D669,842 S *	10/2012	Buchinger-Barnstorf ...	D12/590
D675,560 S *	2/2013	Kato .....	D12/590

\* cited by examiner

*Primary Examiner* — Robert M Spear

(74) *Attorney, Agent, or Firm* — Laurence A. Greenberg; Werner H. Stemer; Ralph E. Locher

(57) **CLAIM**

The ornamental design for a tire tread for a vehicle tire, as shown and described.

**DESCRIPTION**

FIG. 1 is a perspective view of a tire tread for a vehicle tire, showing my new design;

FIG. 2 is a front elevational view thereof;

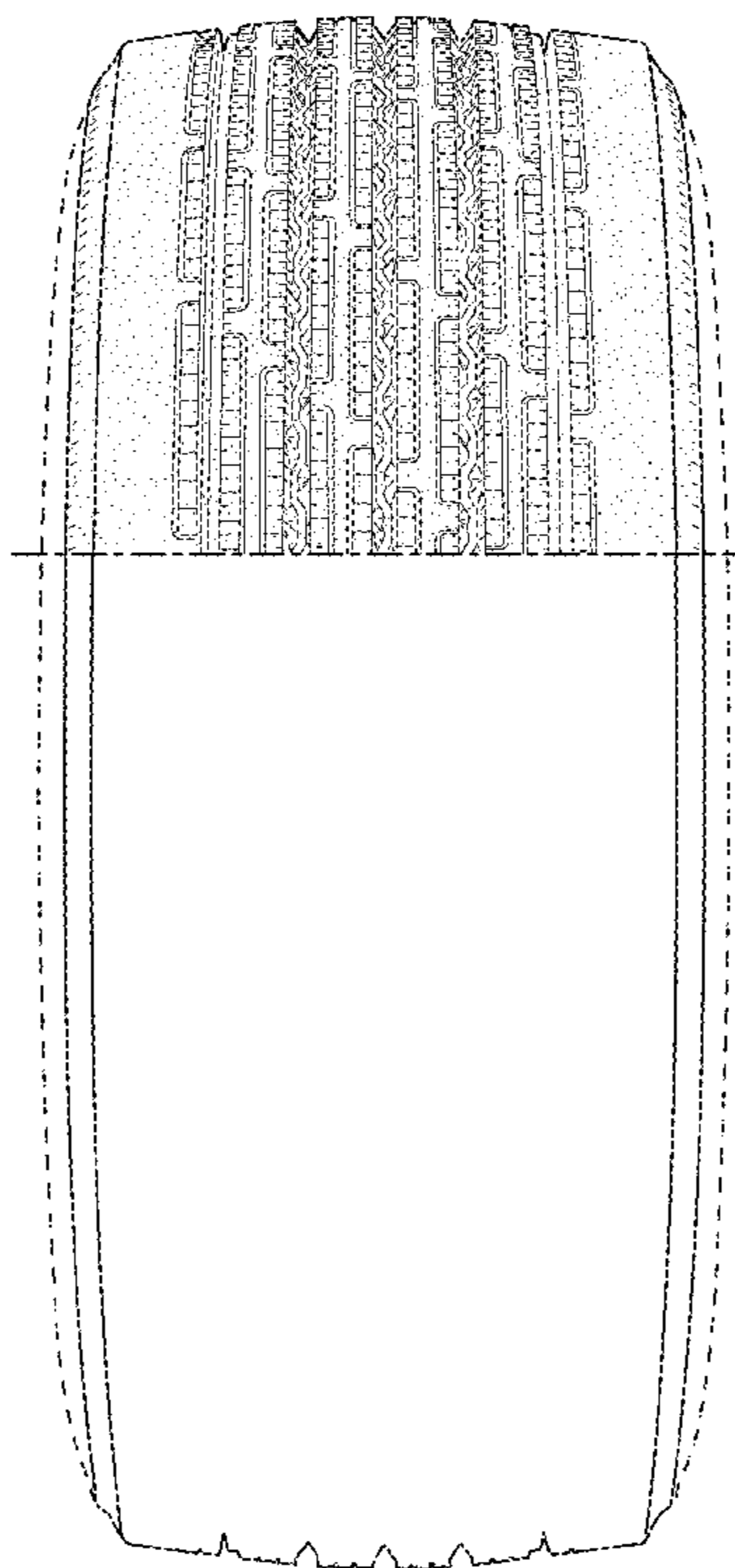
FIG. 3 is an enlarged partial front view thereof;

FIG. 4 is a right side elevational view thereof; and,

FIG. 5 is a left side elevational view thereof.

In the drawings, the broken lines defining the sidewall, and inner bead depict environmental subject matter that forms no part of the claimed design. While only portions of the tread design are shown, it should be understood that the claimed tire tread for a vehicle tire covers the tire circumferentially in its entirety as indicated by the solid lines in FIGS. 1, 2, 4 and 5.

**1 Claim, 5 Drawing Sheets**



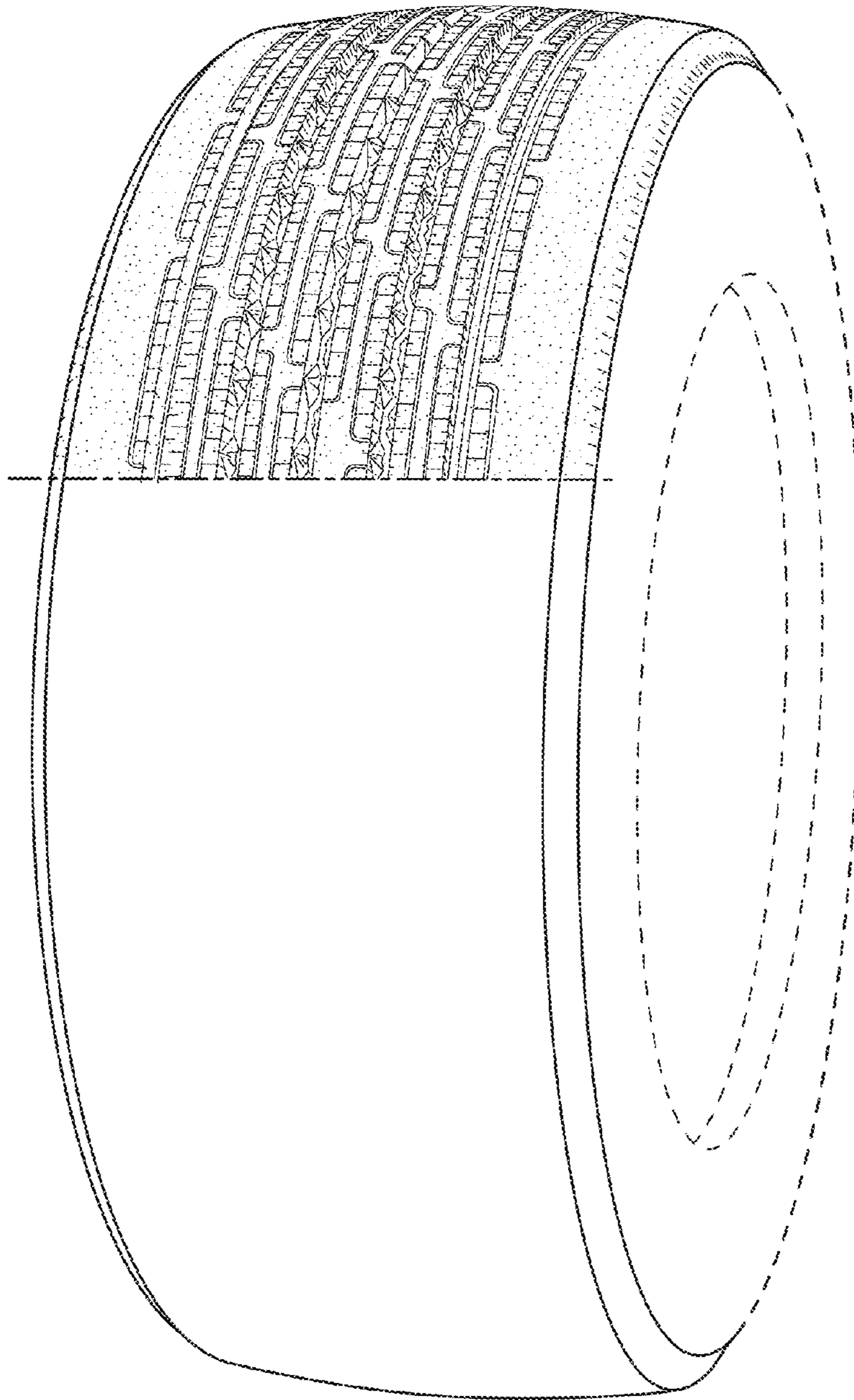


FIG. 1

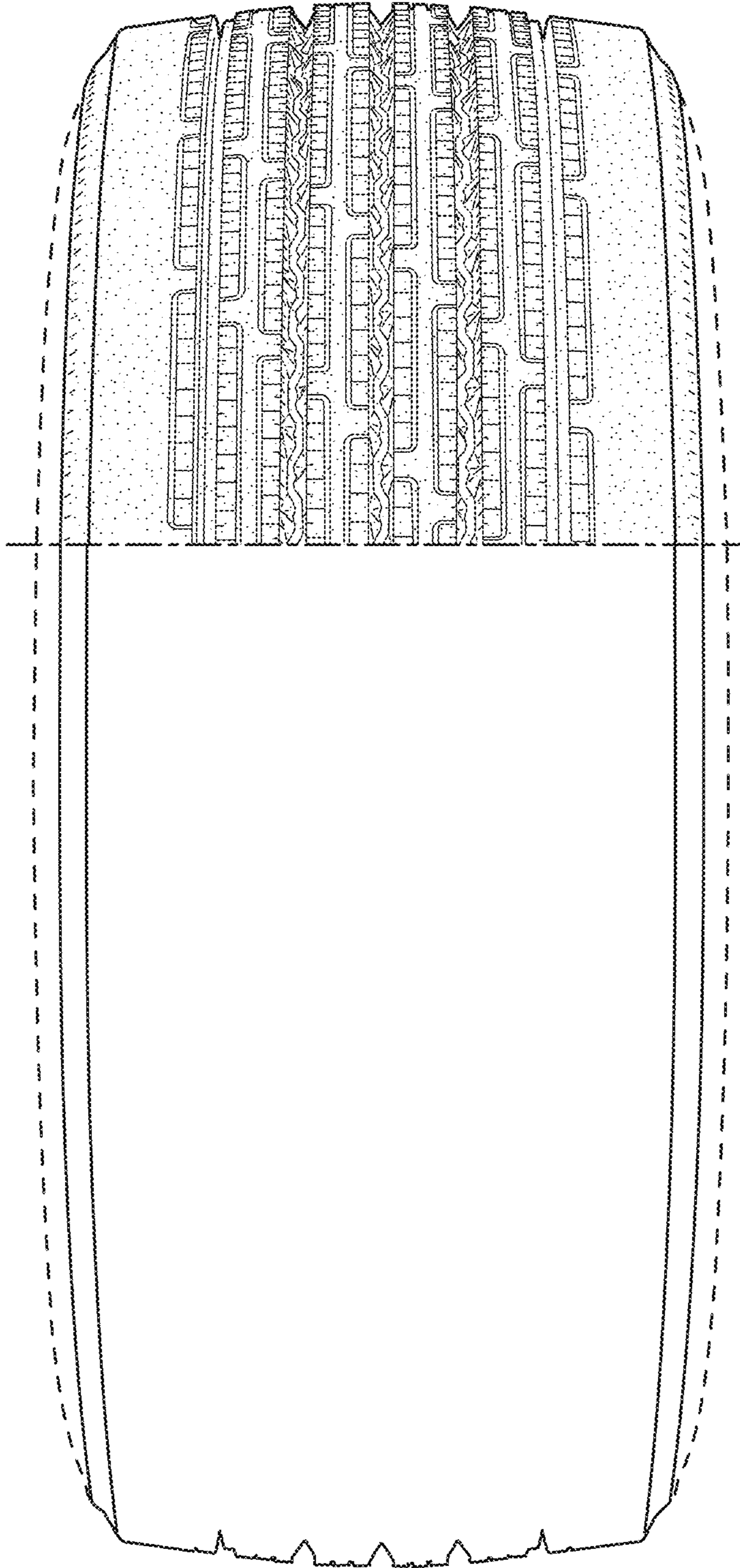


FIG. 2

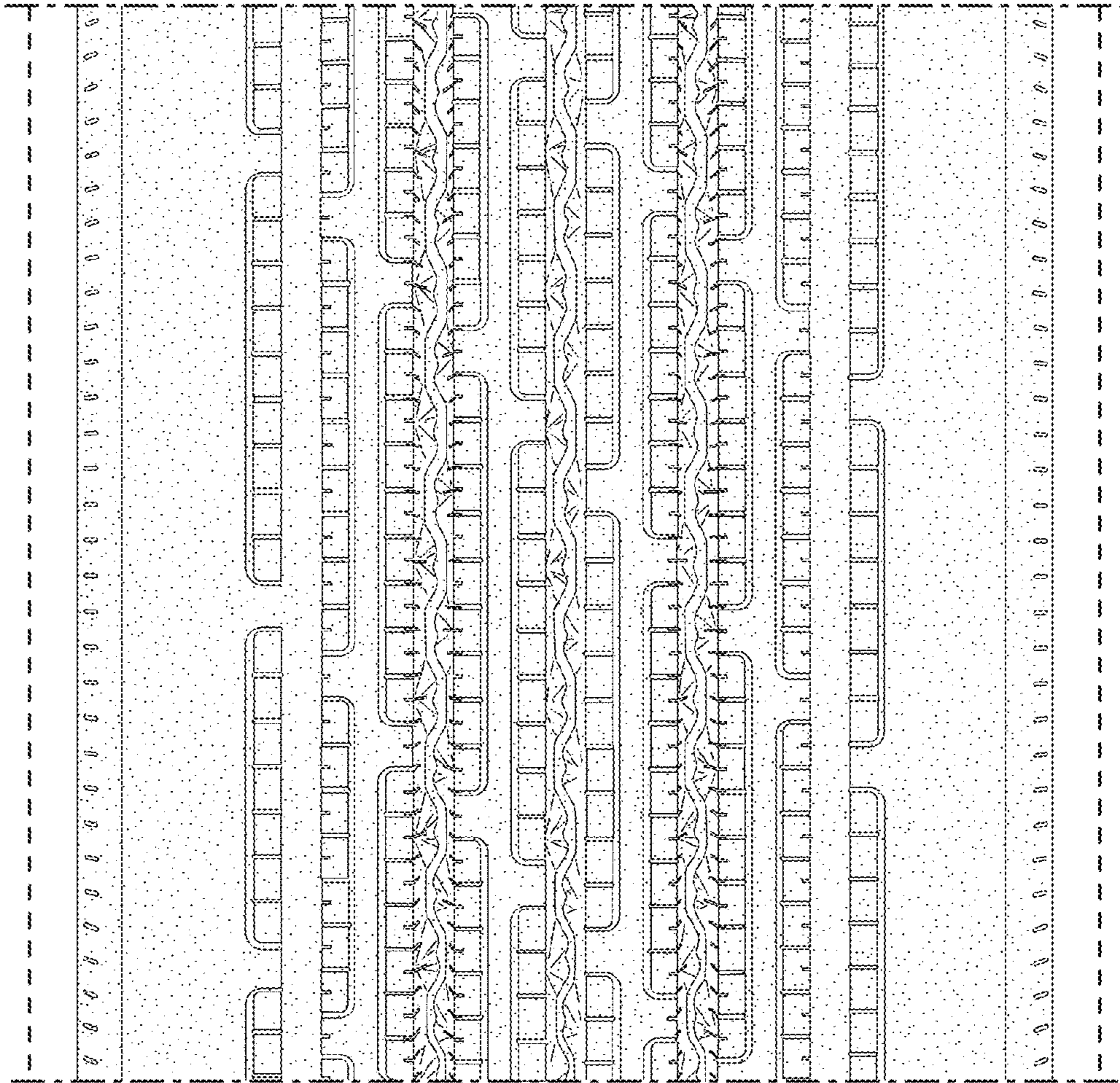


FIG. 3

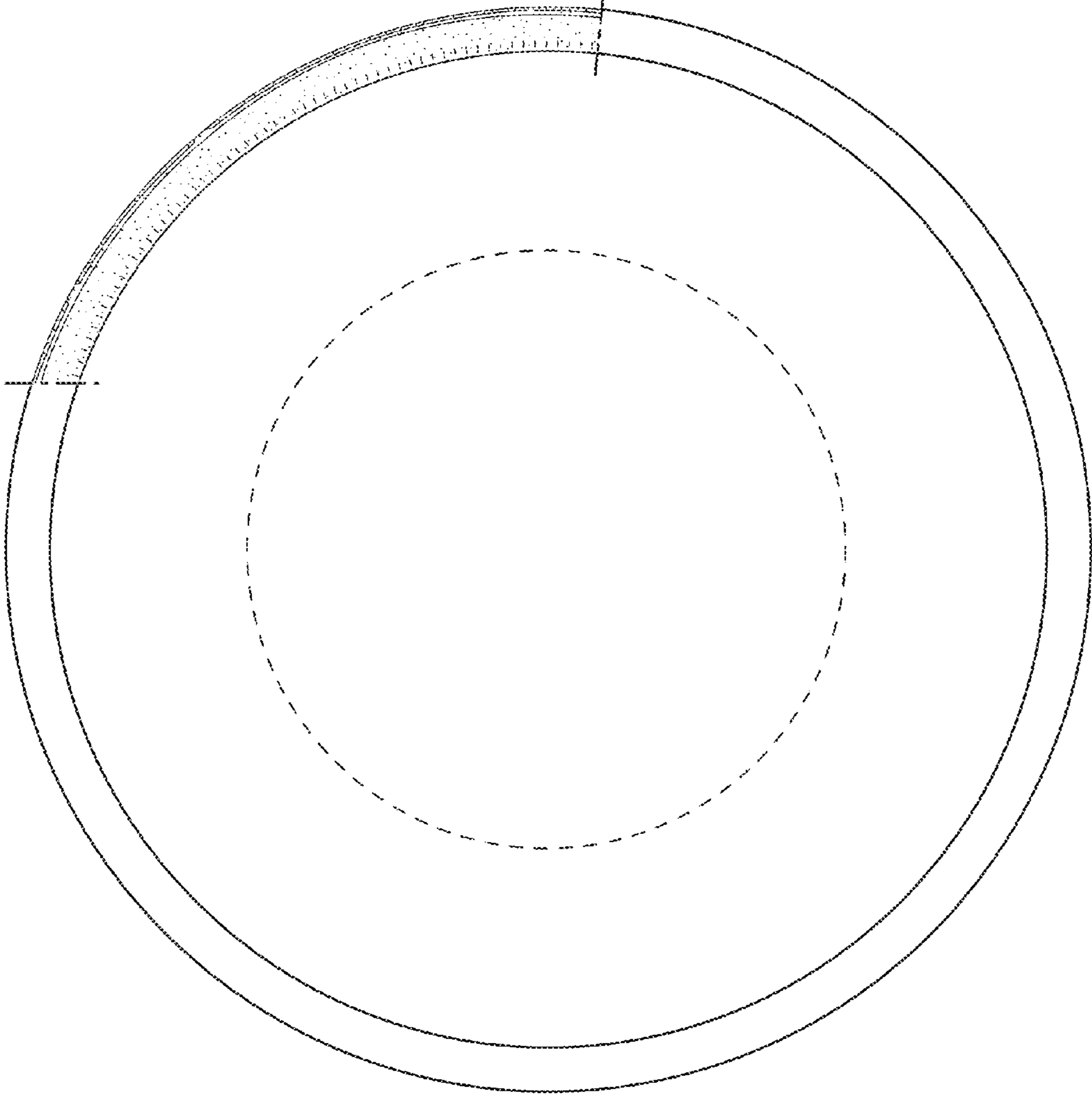


FIG. 4

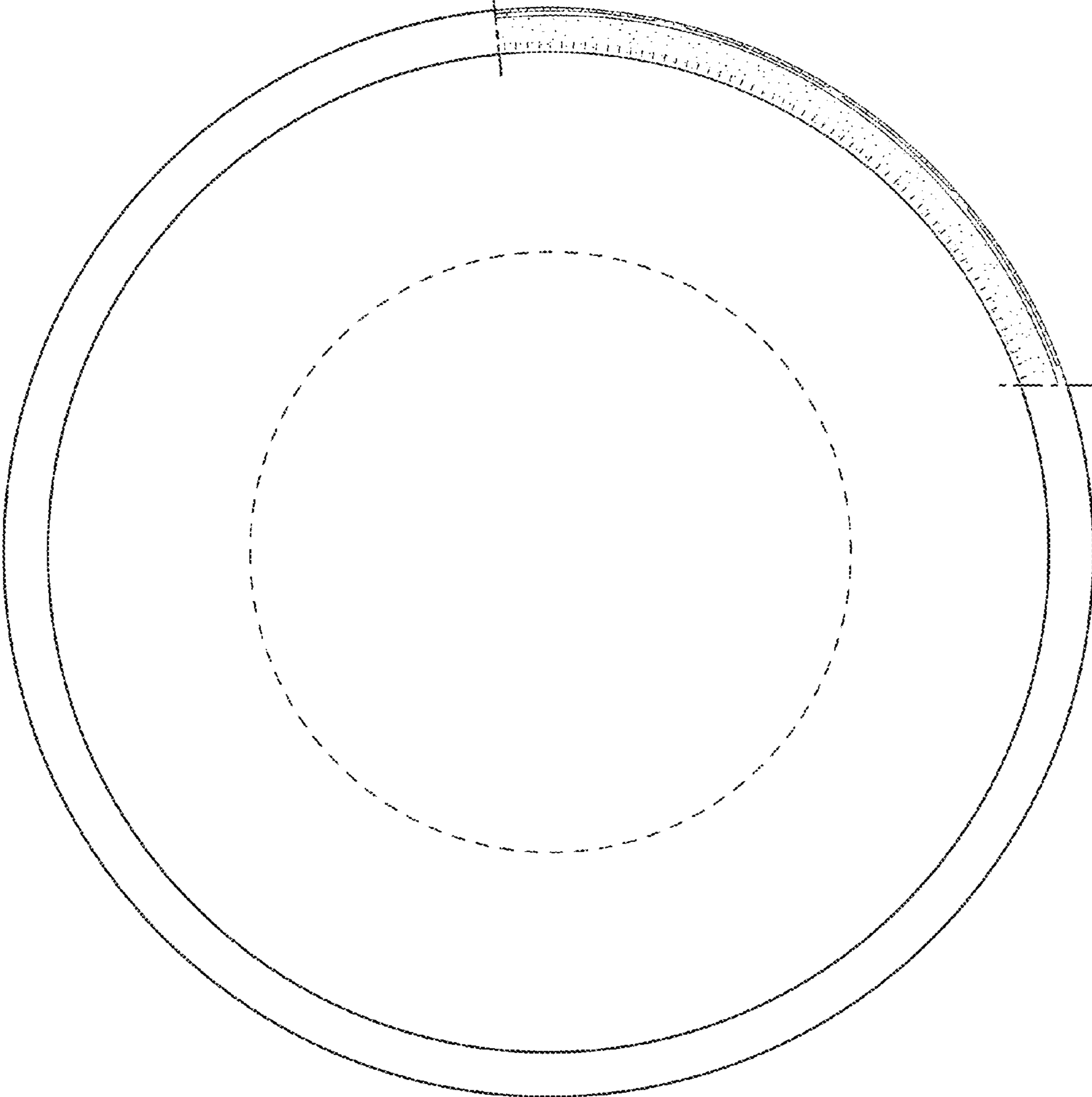


FIG. 5