

US00D735645S

(12) **United States Design Patent**  
**Drake**

(10) **Patent No.:** **US D735,645 S**

(45) **Date of Patent:** **\*\* Aug. 4, 2015**

(54) **TIRE TREAD**

(71) Applicant: **Robert J. Drake**, Forest, OH (US)

(72) Inventor: **Robert J. Drake**, Forest, OH (US)

(73) Assignee: **COOPER TIRE & RUBBER COMPANY**, Findlay, OH (US)

(\*\*) Term: **14 Years**

(21) Appl. No.: **29/469,214**

(22) Filed: **Oct. 8, 2013**

(51) **LOC (10) Cl.** ..... **12-15**

(52) **U.S. Cl.**  
USPC ..... **D12/588**

(58) **Field of Classification Search**  
USPC ..... D12/551-603; 152/209.1-209.28  
CPC ..... B60C 11/0304; B60C 11/1218; B60C 11/1236; B60C 11/1281; B60C 2011/1213; B60C 2200/06; B60C 1/00; B60C 2200/00  
See application file for complete search history.

(56) **References Cited**

**U.S. PATENT DOCUMENTS**

D418,783 S \* 1/2000 Lissan et al. .... D12/589  
6,467,517 B1 \* 10/2002 Radulescu ..... 152/209.2

D640,185 S \* 6/2011 Scheuren et al. .... D12/588  
D657,302 S \* 4/2012 Durand ..... D12/588  
D670,236 S \* 11/2012 Drake ..... D12/600  
D686,974 S \* 7/2013 Zhao ..... D12/589  
D700,132 S \* 2/2014 Wang et al. .... D12/588

\* cited by examiner

*Primary Examiner* — George D Kirschbaum

*Assistant Examiner* — Jennifer Watkins

(74) *Attorney, Agent, or Firm* — Fay Sharpe LLP

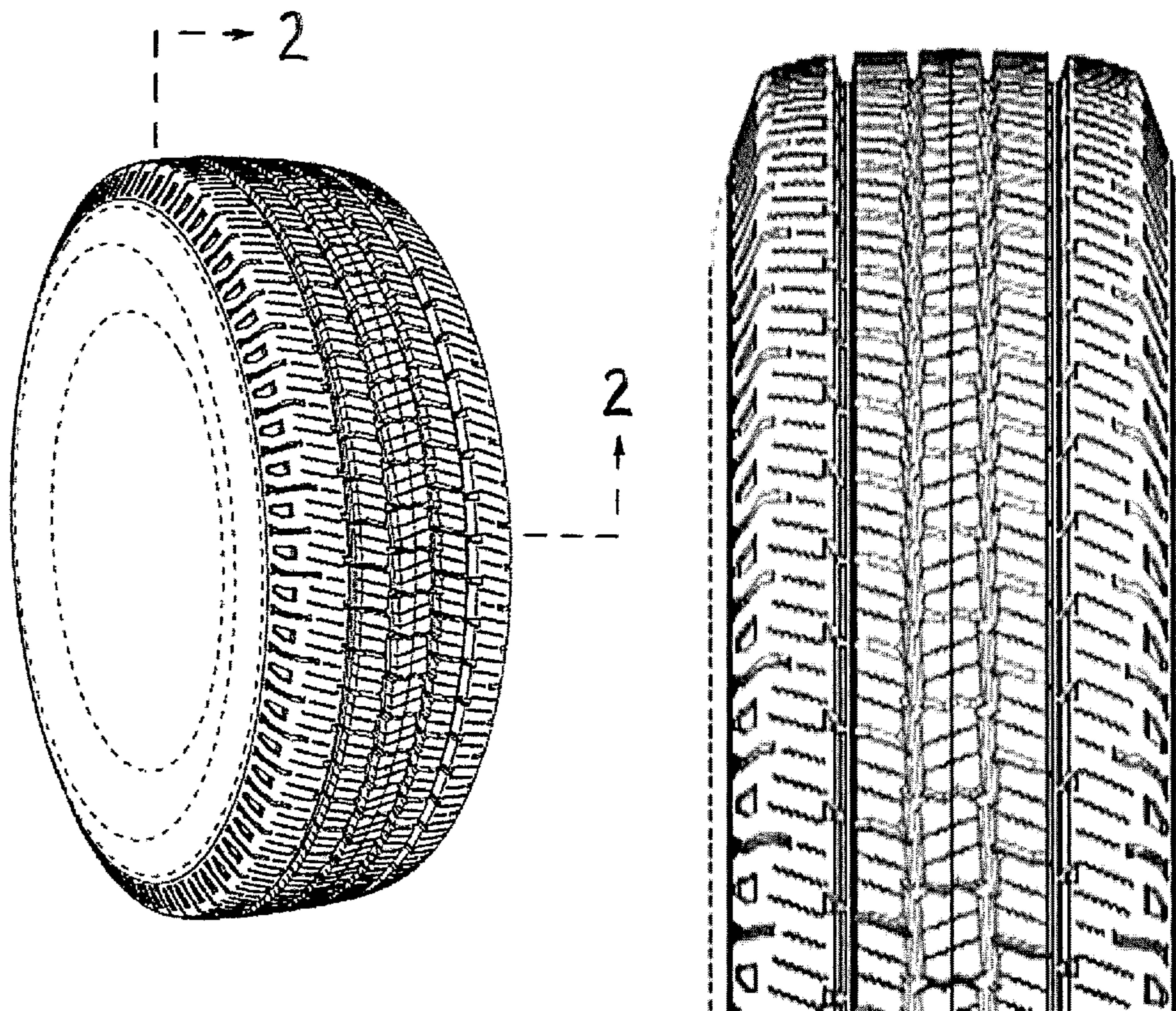
(57) **CLAIM**

The ornamental design for a tire tread, as shown and described.

**DESCRIPTION**

FIG. 1 is a perspective view of a full tire including the tire tread of the present application;  
FIG. 2 is an enlarged partial side view thereof;  
FIG. 3 is a front view thereof; and,  
FIG. 4 is an enlarged partial front view thereof.  
The broken line showing of the sidewall, inner bead, and the peripheral boundary between the tire tread and the sidewall is included for the purpose of illustrating environment and forms no part of the claim.

**1 Claim, 4 Drawing Sheets**



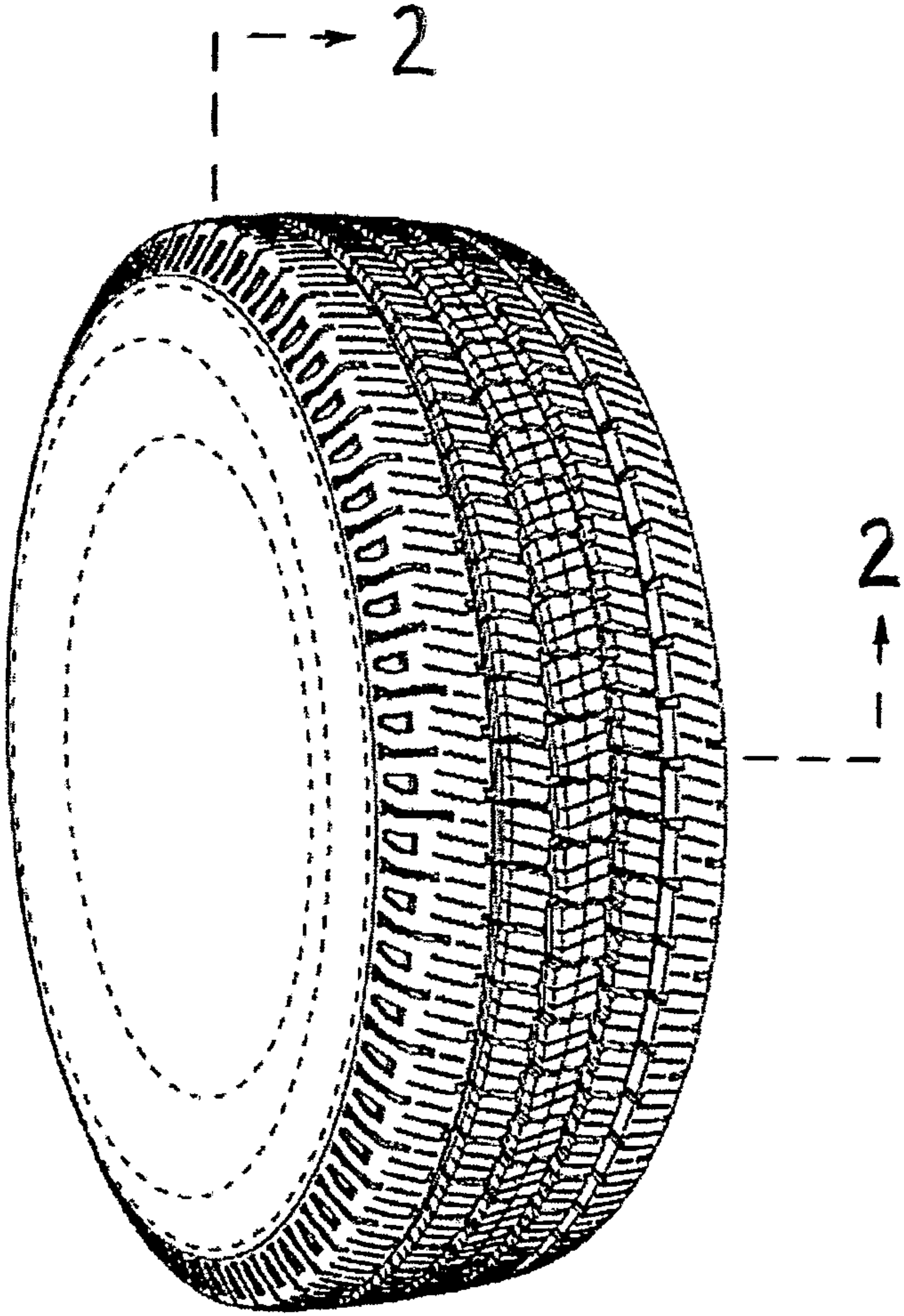


FIGURE 1



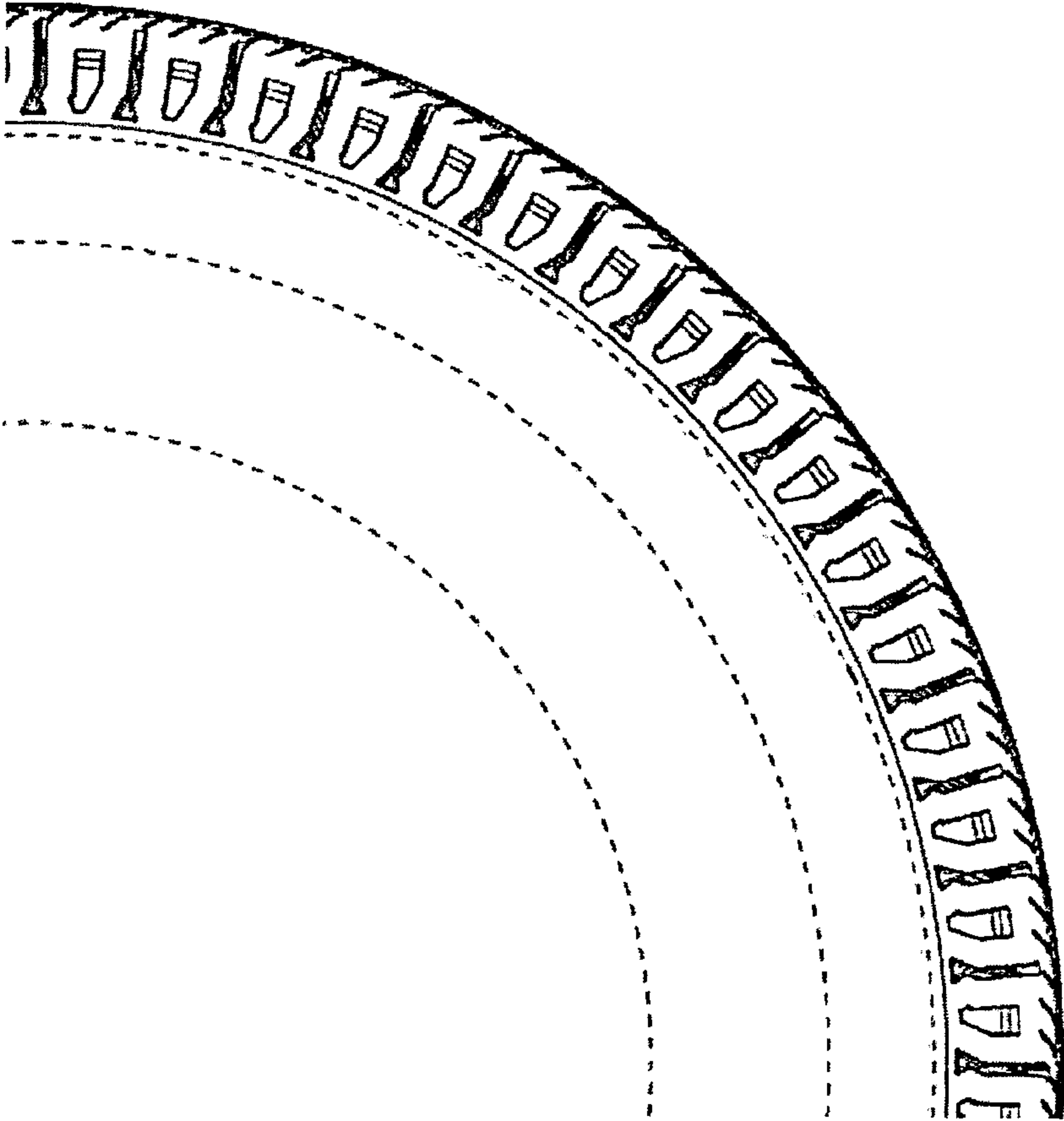


FIGURE 2

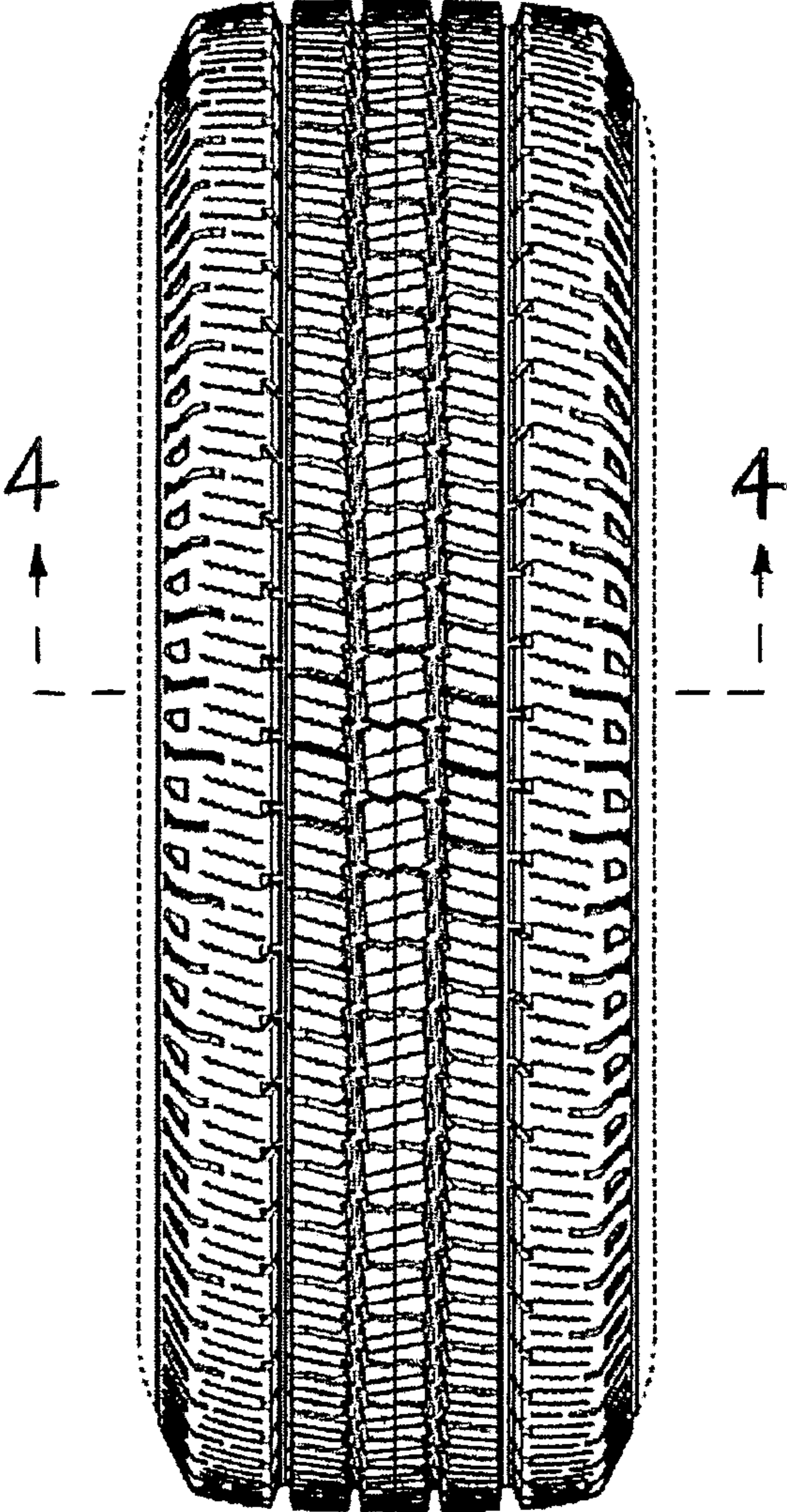


FIGURE 3



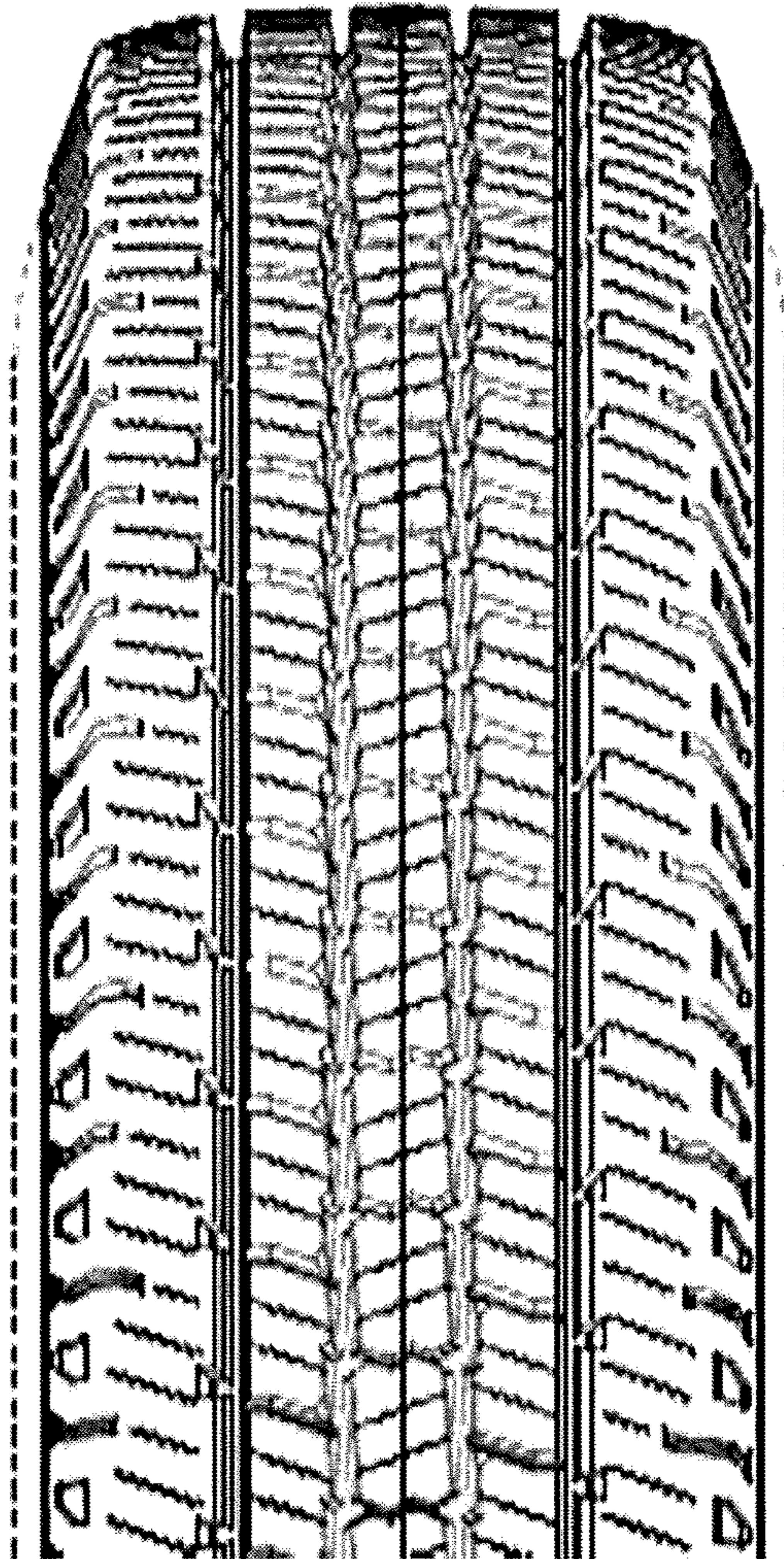


Figure 4