

US00D735637S

(12) **United States Design Patent**  
**Hughes et al.**

(10) **Patent No.:** **US D735,637 S**

(45) **Date of Patent:** **\*\* \*Aug. 4, 2015**

(54) **TIRE**  
(71) Applicant: **The Goodyear Tire & Rubber Company, Akron, OH (US)**  
(72) Inventors: **Shannon Joseph Hughes, Rootstown, OH (US); Michael Stefan Skurich, Canton, OH (US); Timothy Patrick Lovell, Uniontown, OH (US); Karl Eric Sundkvist, Akron, OH (US); David Russell Tuck, Copley, OH (US); Jonathan James Shondel, Massillon, OH (US)**

D470,443 S	2/2003	Slingluff et al. ....	D12/147
D525,186 S	7/2006	Martin .....	D12/521
D559,767 S	1/2008	Graas et al. ....	D12/521
D560,595 S	1/2008	Bindner et al. ....	D12/521
D560,600 S	1/2008	Dixon et al. ....	D12/588
D586,724 S	2/2009	Seibert et al. ....	D12/519
D593,931 S	6/2009	Fontaine et al. ....	D12/521
D597,474 S	8/2009	Yamakawa et al. ....	D12/519
D601,939 S	10/2009	Fontaine et al. ....	D12/519
D606,002 S	12/2009	Yamakawa et al. ....	D12/519
D609,161 S	2/2010	Fontaine et al. ....	D12/517
D634,699 S	3/2011	Fontaine et al. ....	D12/517
D638,348 S	5/2011	Harvey et al. ....	D12/521
D639,719 S	6/2011	Harvey et al. ....	D12/521

(Continued)

(73) Assignee: **The Goodyear Tire & Rubber Company, Akron, OH (US)**

*Primary Examiner* — Stacia Cadmus

(74) *Attorney, Agent, or Firm* — Richard B. O'Planick

(\*) Notice: This patent is subject to a terminal disclaimer.

(57) **CLAIM**

The ornamental design for a tire, as shown and described.

(\*\*) Term: **14 Years**

**DESCRIPTION**

(21) Appl. No.: **29/440,259**

(22) Filed: **Dec. 20, 2012**

(51) **LOC (10) Cl.** ..... **12-15**

(52) **U.S. Cl.**  
USPC ..... **D12/521**

(58) **Field of Classification Search**  
USPC ..... D12/505–532  
CPC ..... B60C 11/0304; B60C 11/0302; B60C 11/0306; B60C 11/0309; B60C 11/0318; B60C 11/0311; B60C 11/042; B60C 11/13; B60C 11/00; B60C 11/11; B60C 11/12  
See application file for complete search history.

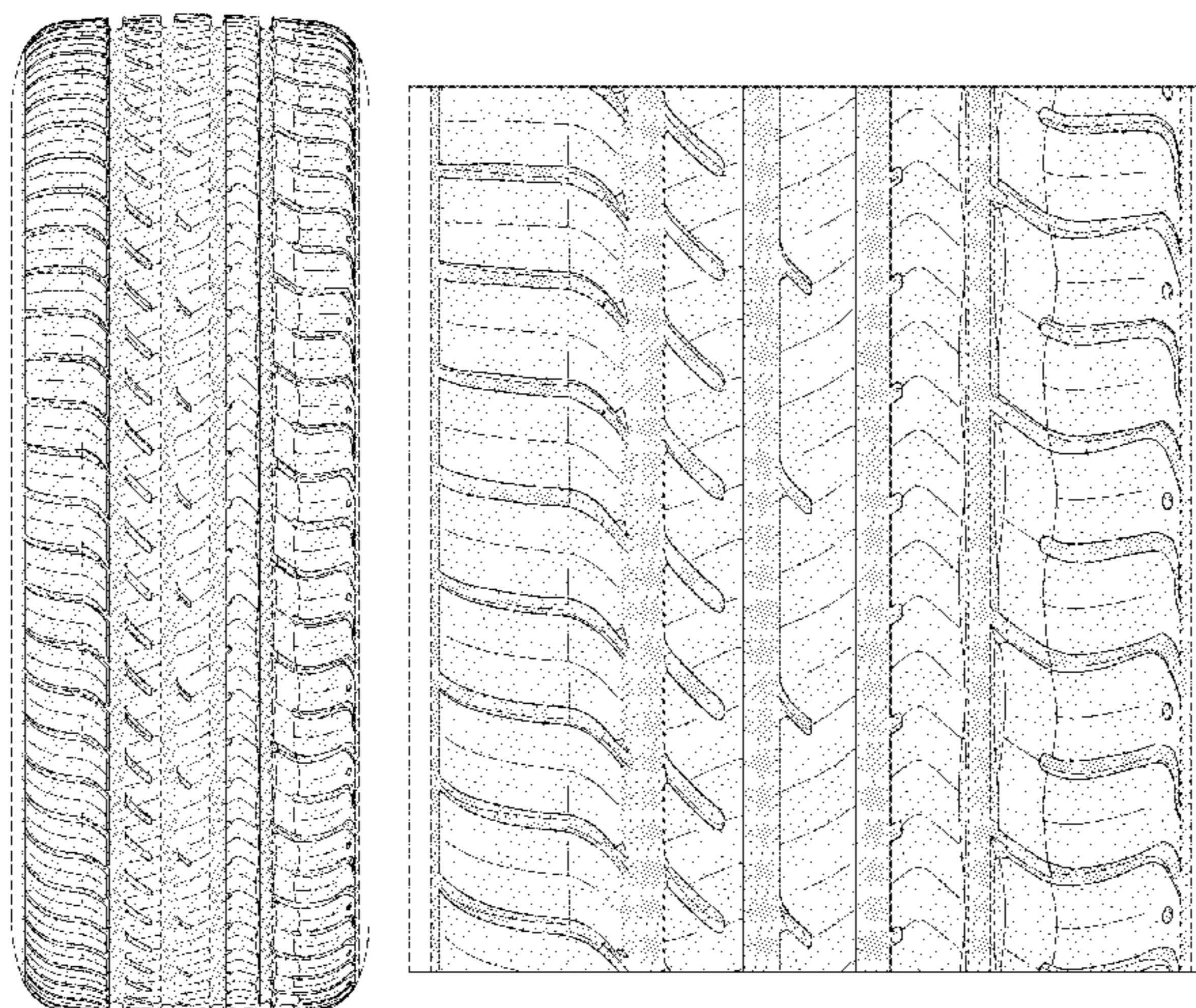
FIG. 1 is a perspective view of a tire showing our new design, it being understood that the pattern repeats uniformly throughout the circumference of the tread;  
FIG. 2 is a front elevational view thereof;  
FIG. 3 is a right side elevational view thereof;  
FIG. 4 is a left side elevational view thereof;  
FIG. 5 is an enlarged fragmentary front elevational view thereof;  
FIG. 6 is a perspective view of a second embodiment of a tire showing our new design, it being understood that the pattern repeats uniformly throughout the circumference of the tread; and,  
FIG. 7 is a front elevational view of a second embodiment, it being understood that an enlarged fragmentary view thereof would be substantially identical to that shown in FIG. 5, with the exception of the inclusion of the sidewall in solid lines.  
In the drawings, the broken lines showing of the sidewall, inner bead and the peripheral boundary between the tire tread and the sidewall in FIGS. 1 through 5 depict environmental subject matter and form no part of the claimed design.

(56) **References Cited**

**U.S. PATENT DOCUMENTS**

D418,785 S	1/2000	Lovell et al. ....	D12/147
D432,956 S	10/2000	Racquet .....	D12/141
D451,453 S	12/2001	Maxwell et al. ....	D12/147
D453,919 S	2/2002	Mast et al. ....	D12/528
D469,396 S	1/2003	Hutson et al. ....	D12/520

**1 Claim, 7 Drawing Sheets**



(56)

**References Cited**

U.S. PATENT DOCUMENTS

D639,720 S 6/2011 Harvey et al. .... D12/521  
D644,592 S 9/2011 Grabo et al. .... D12/519  
D644,593 S 9/2011 Fontaine et al. .... D12/523  
D655,239 S \* 3/2012 Zhao ..... D12/521  
D659,075 S 5/2012 Harvey et al. .... D12/521  
D659,633 S 5/2012 Bindner et al. .... D12/521

D666,138 S \* 8/2012 Fontaine et al. .... D12/521  
D666,551 S \* 9/2012 Schmidt-Zum Berge  
et al. .... D12/521  
D668,203 S \* 10/2012 Rittweger et al. .... D12/521  
D668,598 S \* 10/2012 Hughes et al. .... D12/521  
D673,894 S \* 1/2013 Hughes et al. .... D12/521  
D710,787 S \* 8/2014 Dixon et al. .... D12/521  
D724,005 S \* 3/2015 Hughes et al. .... D12/515

\* cited by examiner

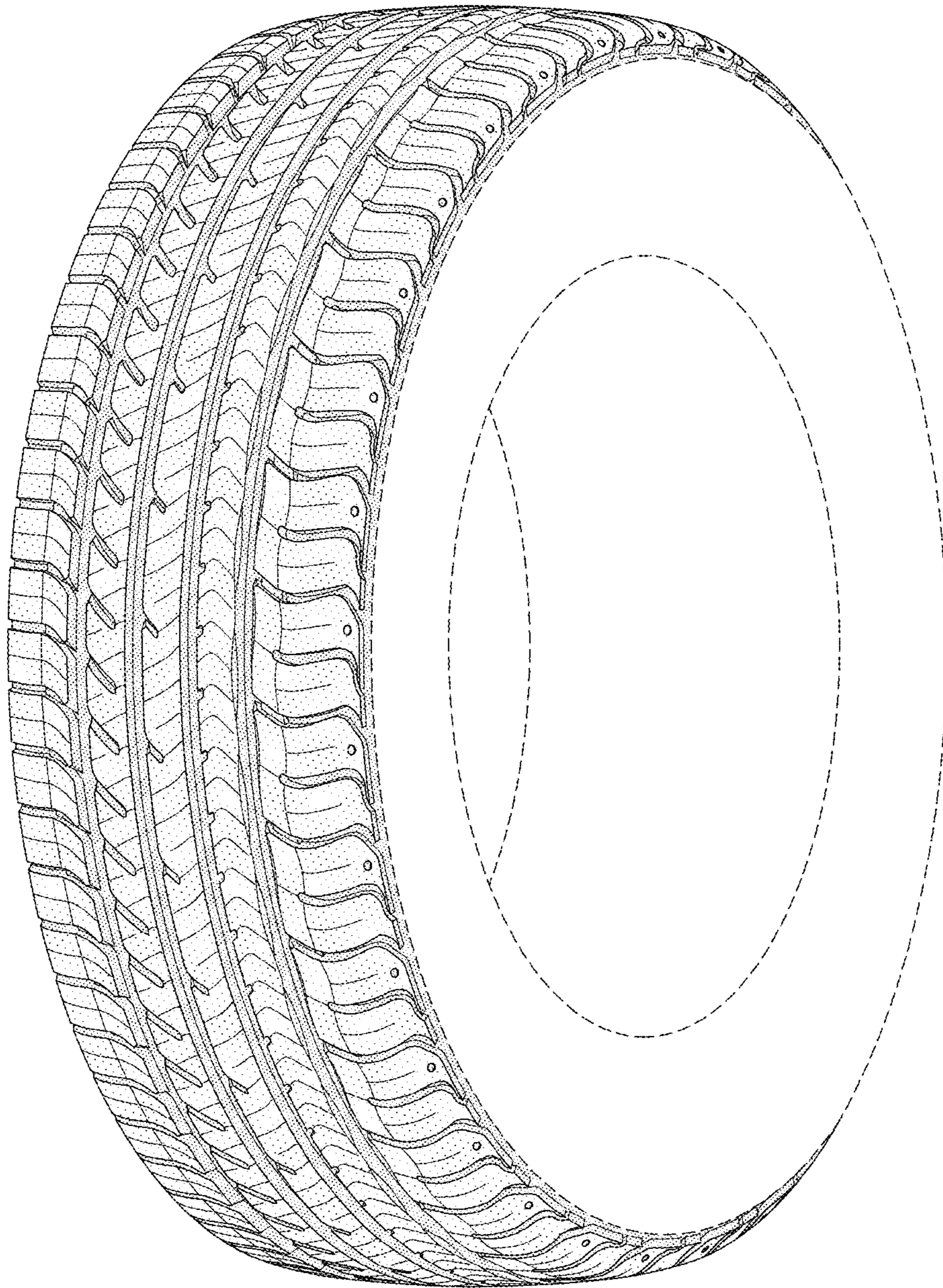


FIG-1

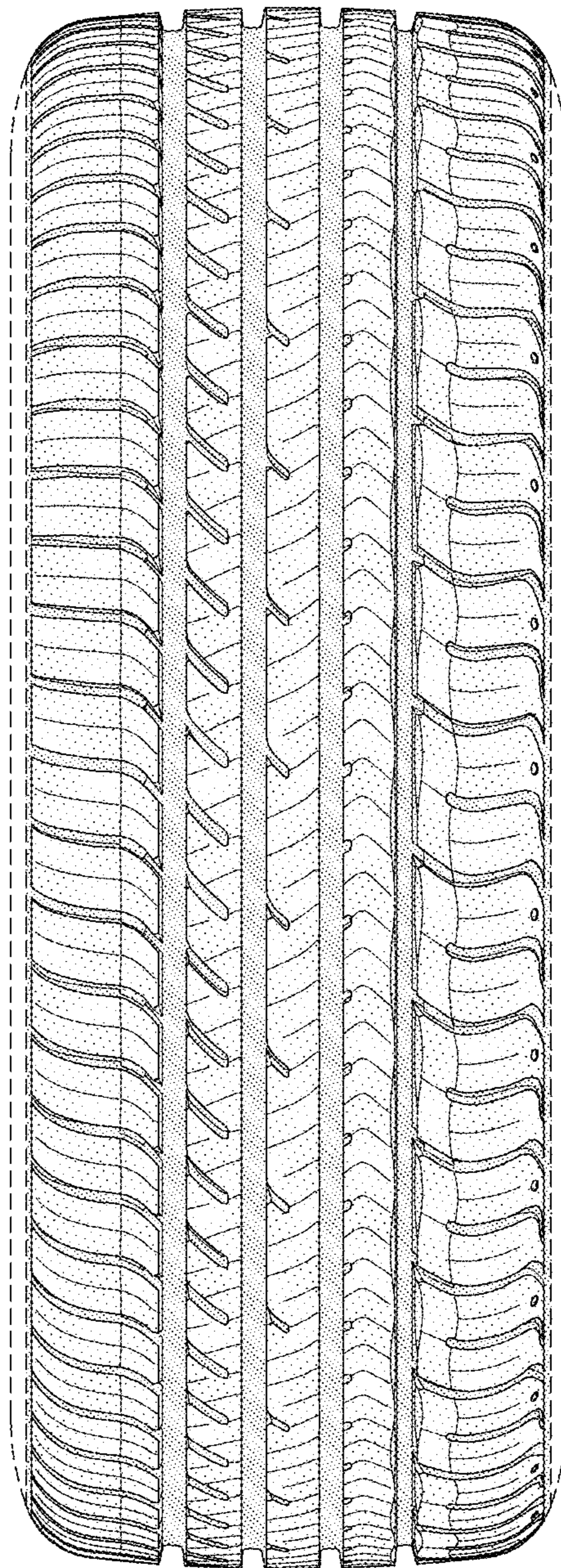


FIG-2

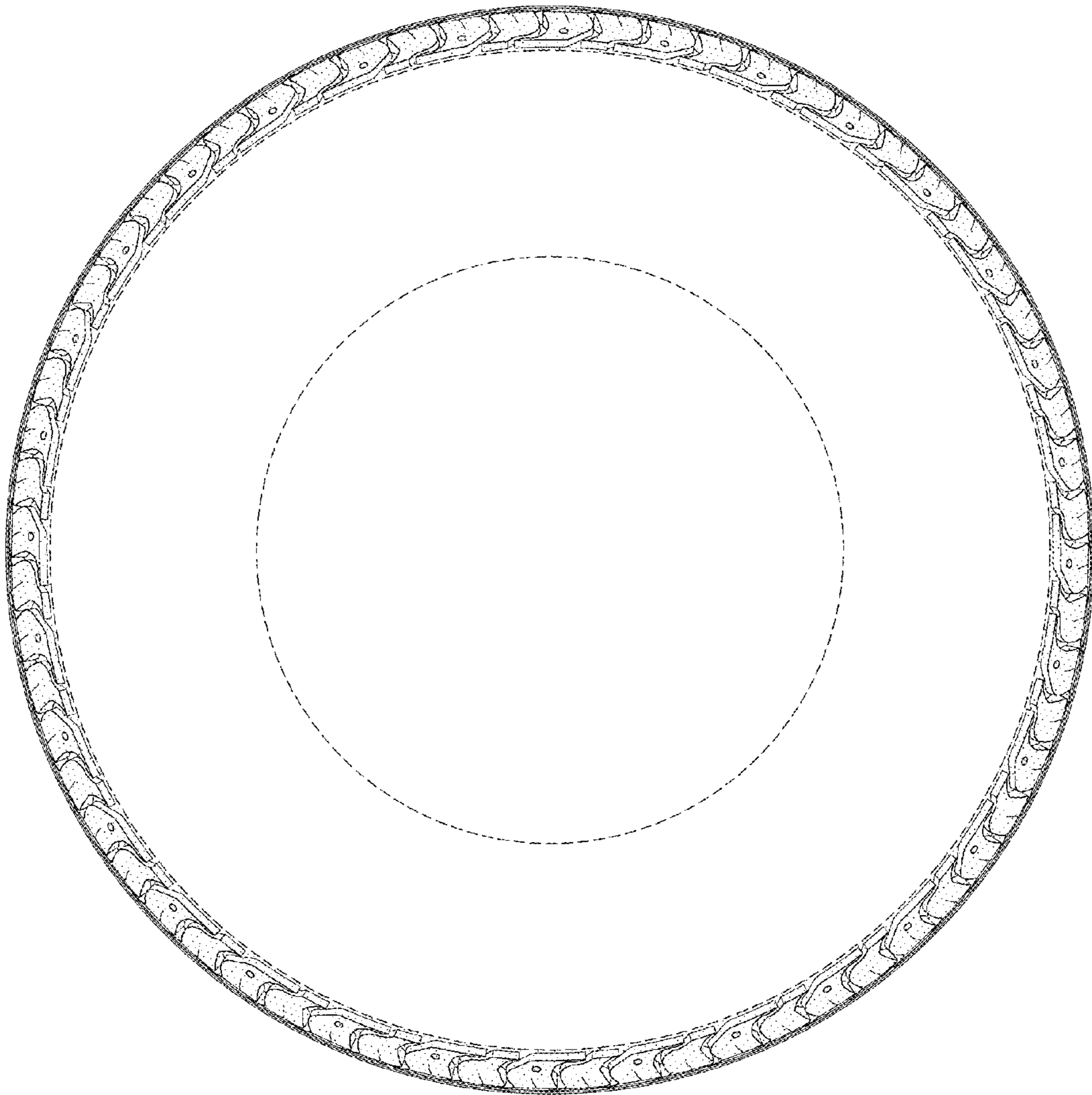


FIG-3

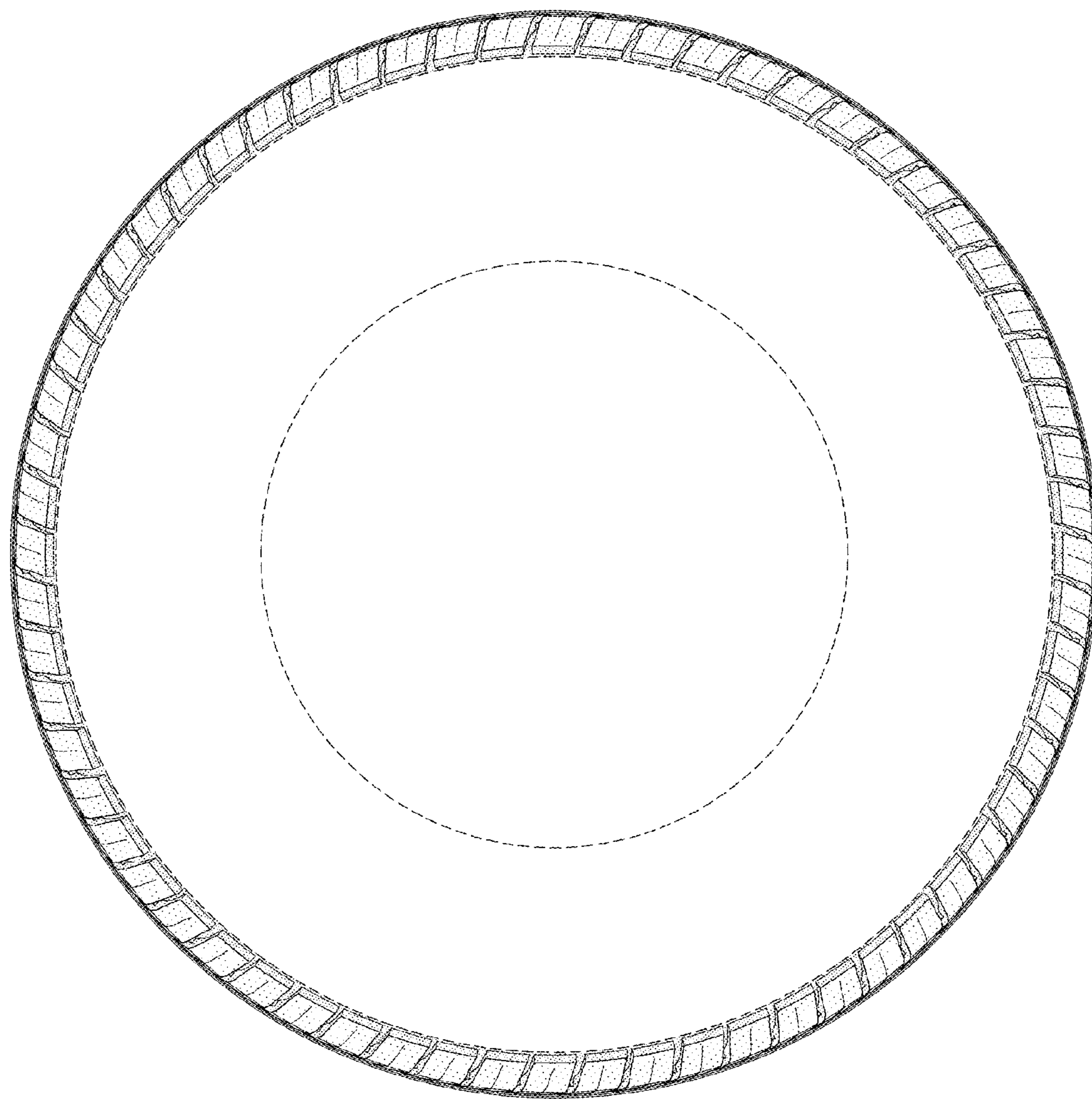


FIG-4

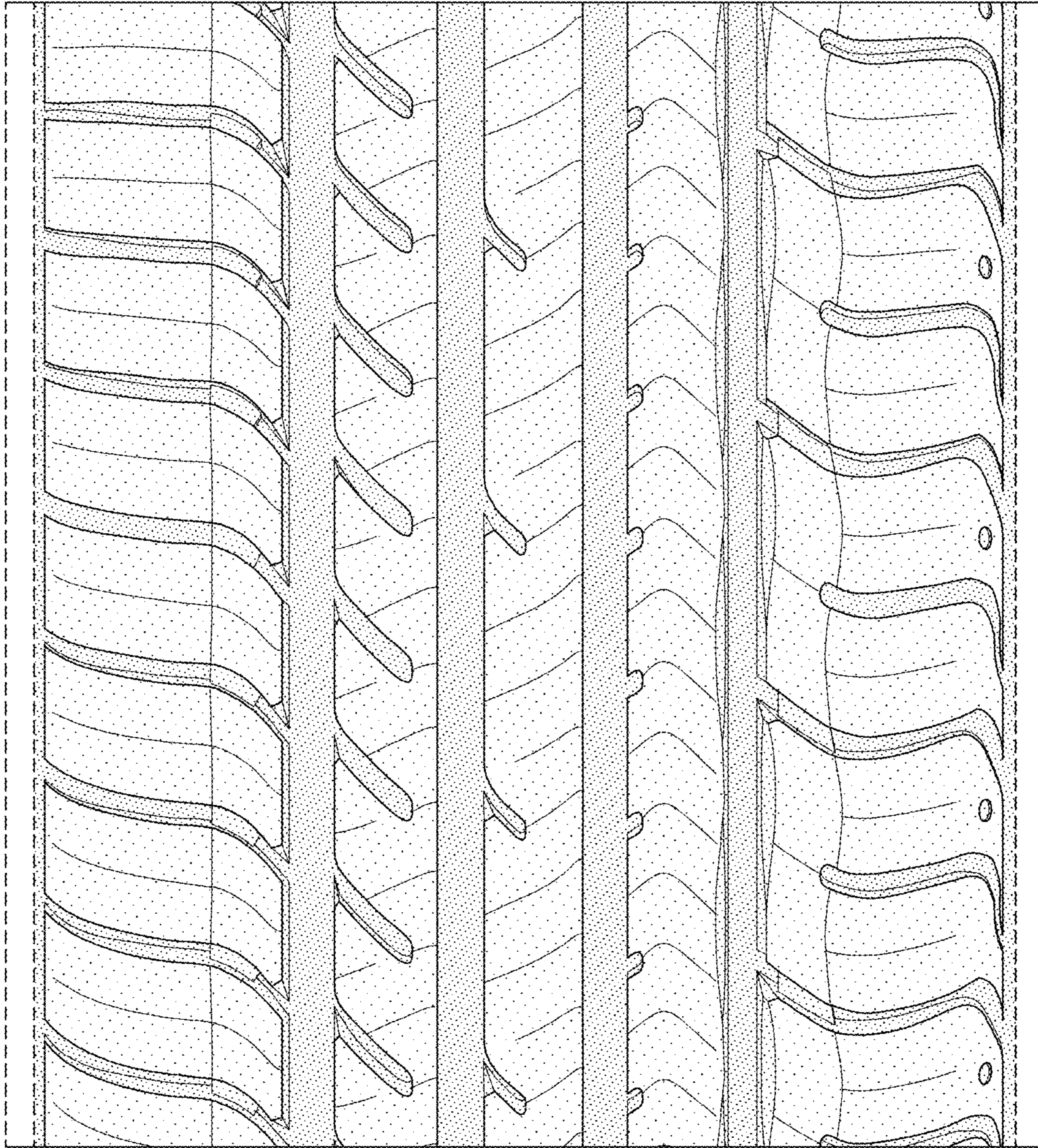


FIG-5

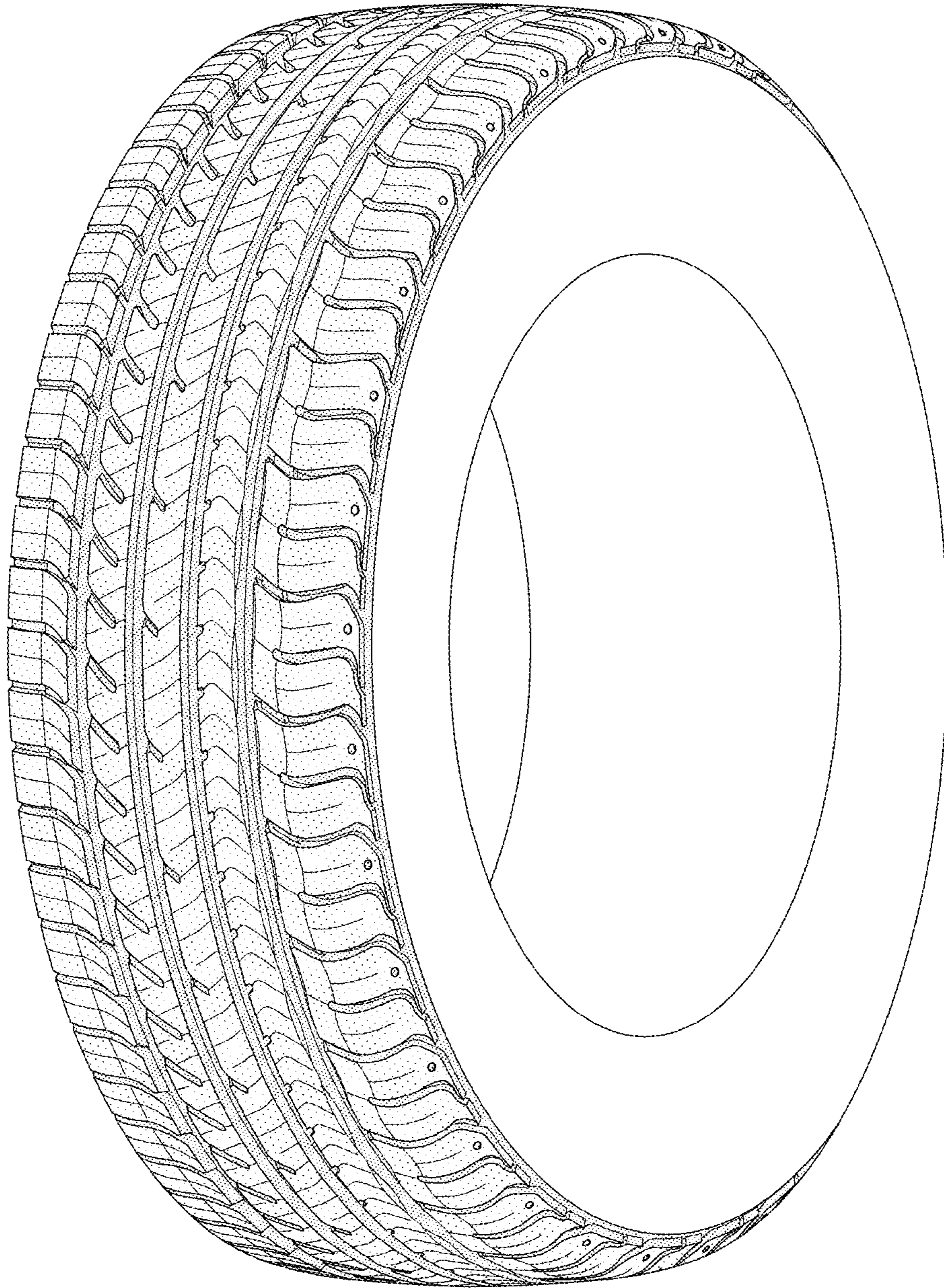


FIG-6



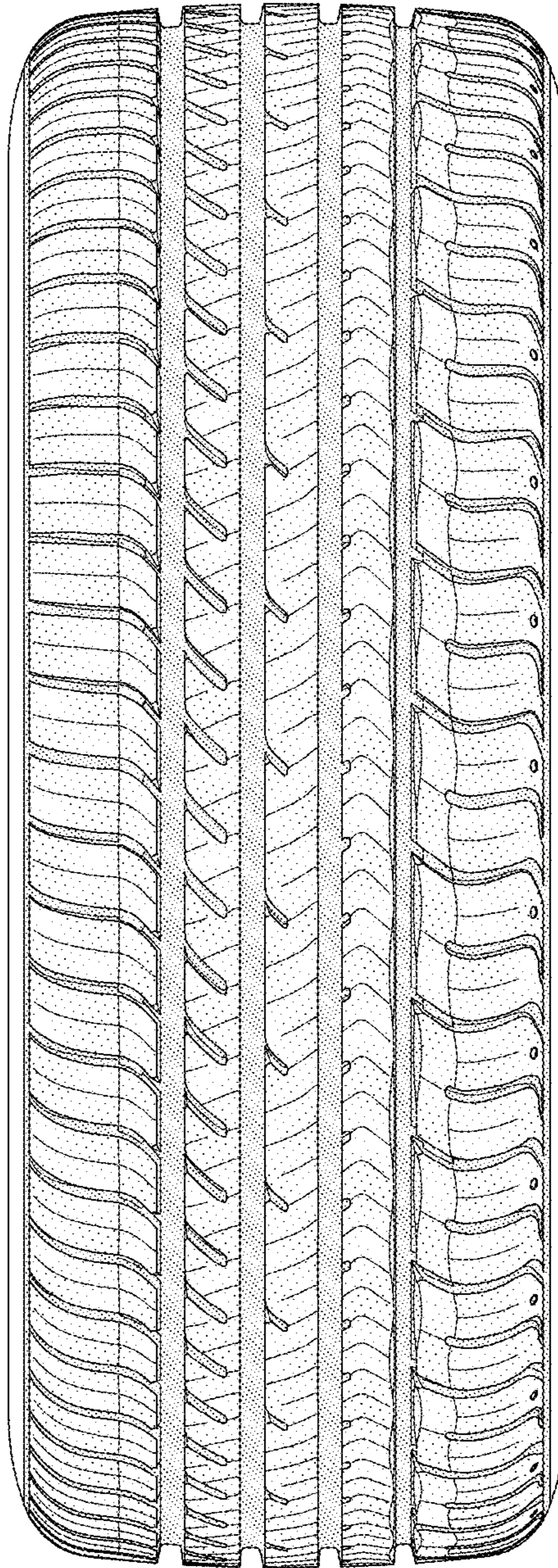


FIG-7