



US00D735632S

(12) **United States Design Patent**
Beidler et al.

(10) **Patent No.:** **US D735,632 S**
(45) **Date of Patent:** **** Aug. 4, 2015**

(54) **GRILLE GUARD BRACKET**

DESCRIPTION

- (71) Applicant: **CNH America LLC**, New Holland, PA (US)
- (72) Inventors: **Lyle Beidler**, Denver, PA (US); **William Frederick**, Naperville, IL (US)
- (73) Assignee: **CNH Industrial America LLC**, New Holland, PA (US)
- (**) Term: **14 Years**
- (21) Appl. No.: **29/461,328**
- (22) Filed: **Jul. 22, 2013**
- (51) **LOC (10) Cl.** **12-06**
- (52) **U.S. Cl.**
USPC **D12/223**; D8/349
- (58) **Field of Classification Search**
USPC D8/349, 363, 370, 354; D12/1, 223,
D12/169, 171; D15/31, 28; 49/57; 293/38,
293/115, 144, 146, 148
See application file for complete search history.

FIG. 1 is a perspective view of the grille guard bracket of the present invention,
 FIG. 2 is a side view of the grille guard bracket illustrated in FIG. 1, the left and rights sides of the grille guard assembly being mirror images.
 FIG. 3 is a front view of the grille guard bracket illustrated in FIG. 1,
 FIG. 4 is a rear view of the grille guard bracket, illustrated in FIG. 1,
 FIG. 5 is a top view of the grille guard bracket illustrated in FIG. 1,
 FIG. 6 is a bottom view of the grille guard bracket illustrated in FIG. 1,
 FIG. 7 is an environmental perspective view of the grille guard bracket illustrated in FIGS. 1-6 particularly illustrating the grille guard bracket being included within an assembly for coupling a grille guard to a portion of a work vehicle according to the present invention,
 FIG. 8 is a side view of the grille guard bracket illustrated in FIG. 7, the left and rights sides of the grille guard bracket being mirror images,
 FIG. 9 is a front view of the grille guard bracket illustrated in FIG. 7,
 FIG. 10 is a rear view of the grille guard bracket illustrated in FIG. 7,
 FIG. 11 is a top view of the grille guard bracket illustrated in FIG. 7,
 FIG. 12 is a bottom view of the grille guard bracket illustrated in FIG. 7,
 FIG. 13 is yet another environmental perspective view of the grille guard bracket illustrated in FIGS. 1-6, particularly illustrating the grille guard bracket being included within an assembly for coupling a grille guard to a portion of a work vehicle according to another aspect of the present invention,
 FIG. 14 is a side view of the grille guard bracket illustrated in FIG. 13, the left and right aides of the grille guard bracket assembly being mirror images,
 FIG. 15 is a front view of the grille guard bracket illustrated in FIG. 13,
 FIG. 16 is a rear view of the grille guard bracket illustrated in FIG. 13,

(56) **References Cited**

U.S. PATENT DOCUMENTS

D28,383 S *	3/1898	Hanes	D6/503
D282,240 S *	1/1986	Gilford	D8/349
D472,190 S *	3/2003	McCoy et al.	D12/162
D478,802 S *	8/2003	Jones	D8/354
6,685,245 B1 *	2/2004	Houseman et al.	293/115
D493,134 S *	7/2004	McCoy et al.	D12/223
D534,904 S *	1/2007	Crawford	D14/238
D580,338 S *	11/2008	Blake	D12/223
D699,270 S *	2/2014	Beidler et al.	D15/31

* cited by examiner

Primary Examiner — Sheryl Lane

(74) *Attorney, Agent, or Firm* — Sue C. Watson

(57) **CLAIM**

The ornamental design for a grille guard bracket, as shown and described.

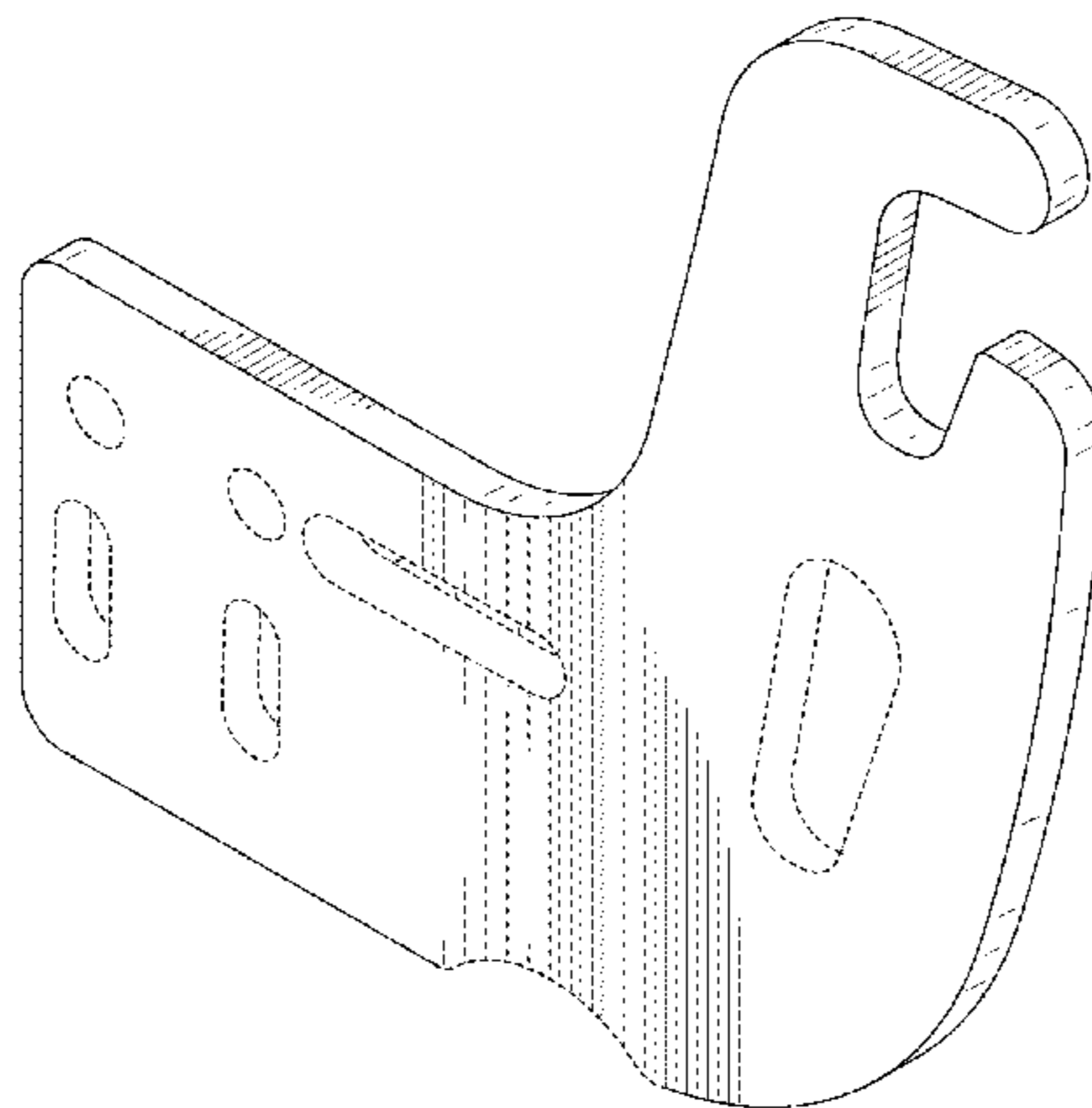


FIG. 17 is a top view of the grille guard bracket illustrated in FIG. 13.

FIG. 18 is a bottom view of the grille guard bracket illustrated in FIG. 13; and,

FIG. 19 is a further environmental perspective view of the grille guard bracket illustrated in FIG. 7, particularly illustrating the assembly shown in FIG. 7 installed onto the front of a work vehicle, such as an agricultural tractor.

The broken lines of the grille, other assembly components and work vehicle represent environment and form no part of the claimed design. The broken lines of the bracket represent boundaries and form no part of the claimed design.

1 Claim, 17 Drawing Sheets

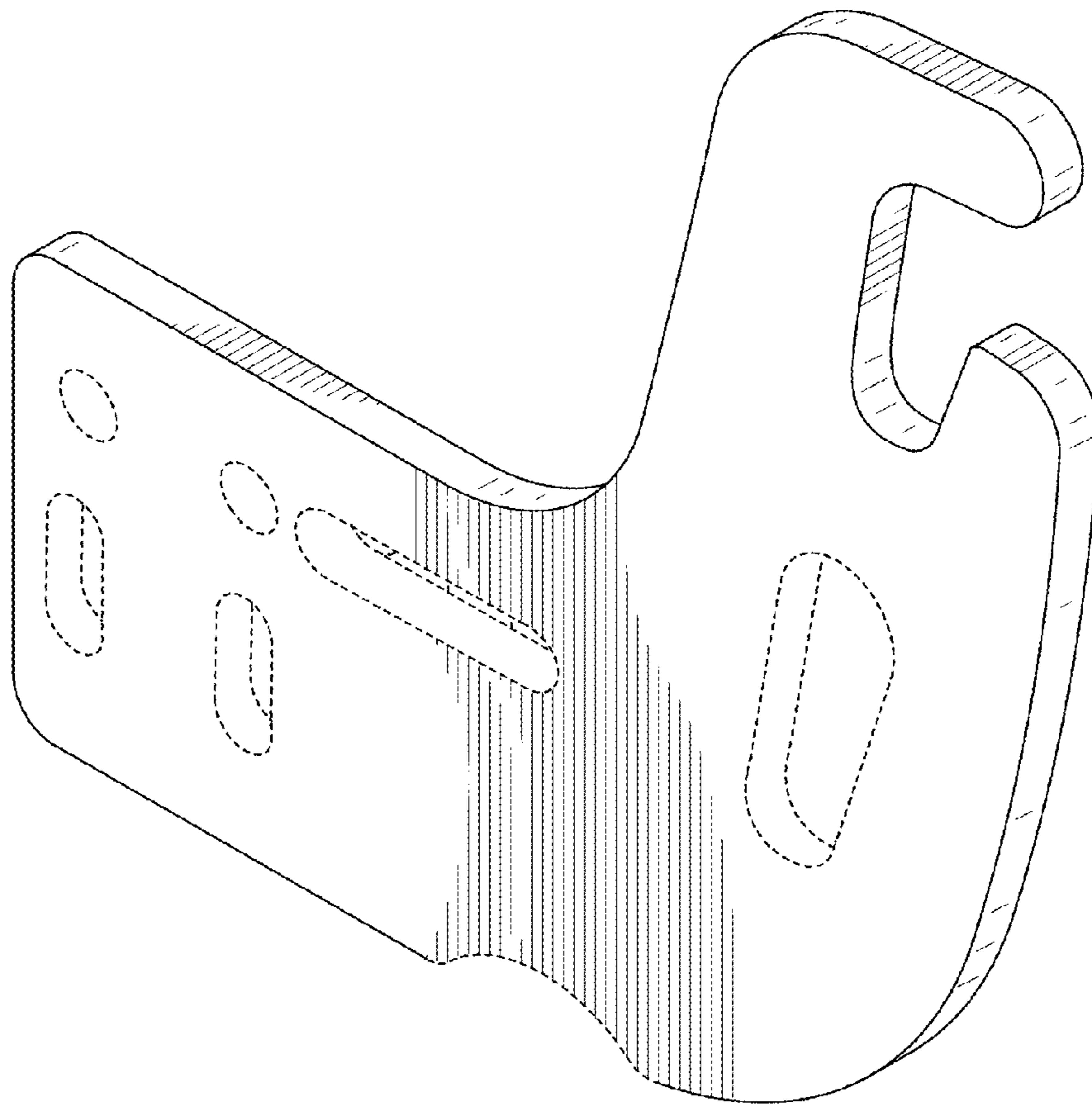


FIG. 1

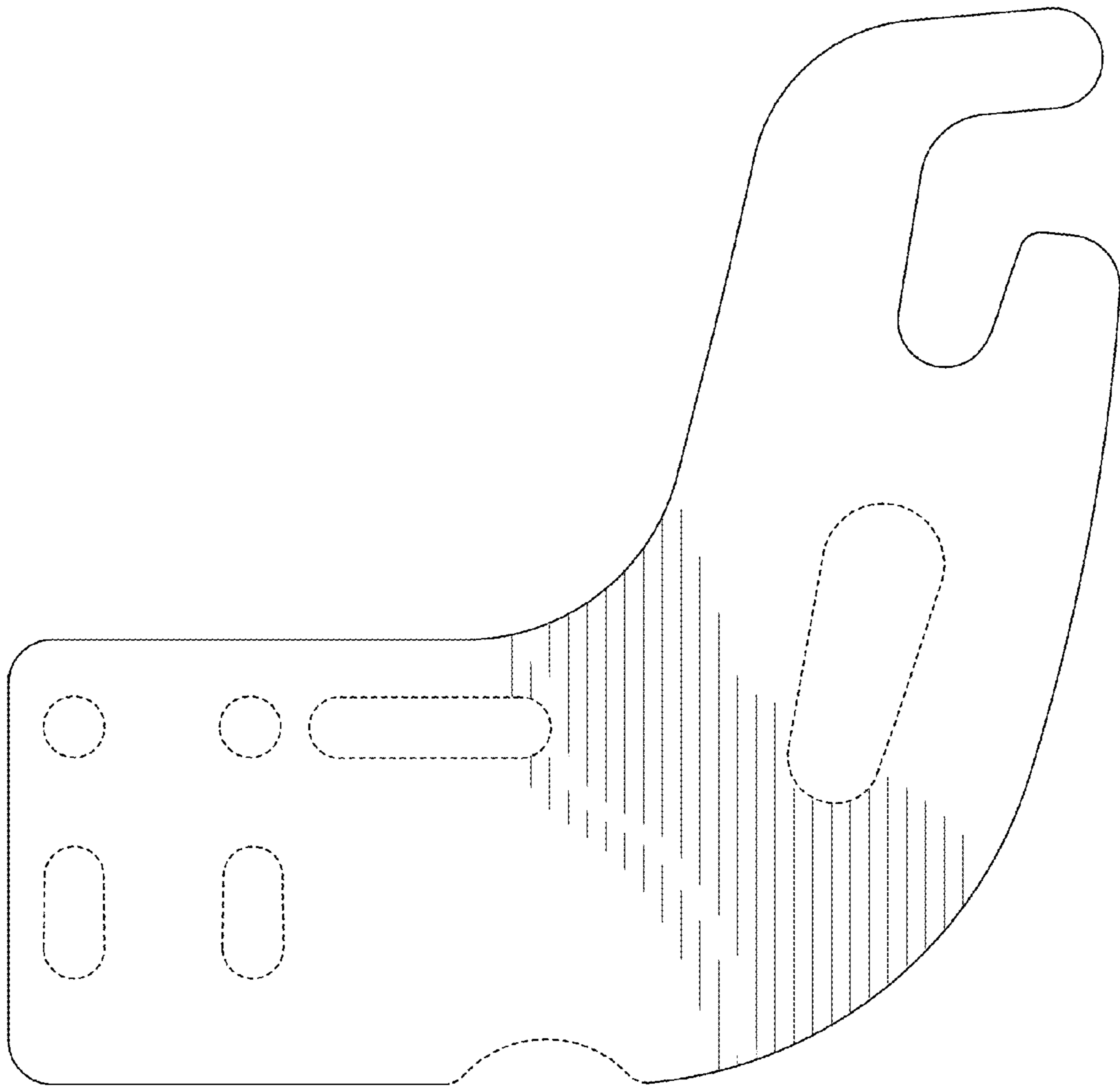


FIG. 2



FIG. 3



FIG. 4

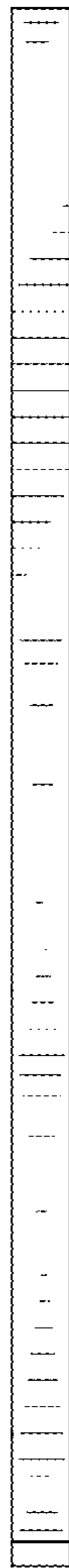


FIG. 5

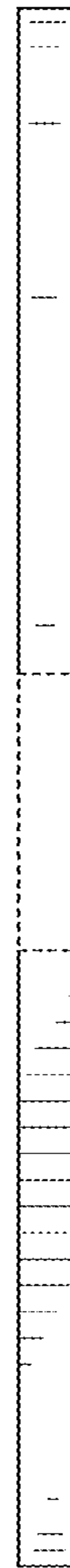
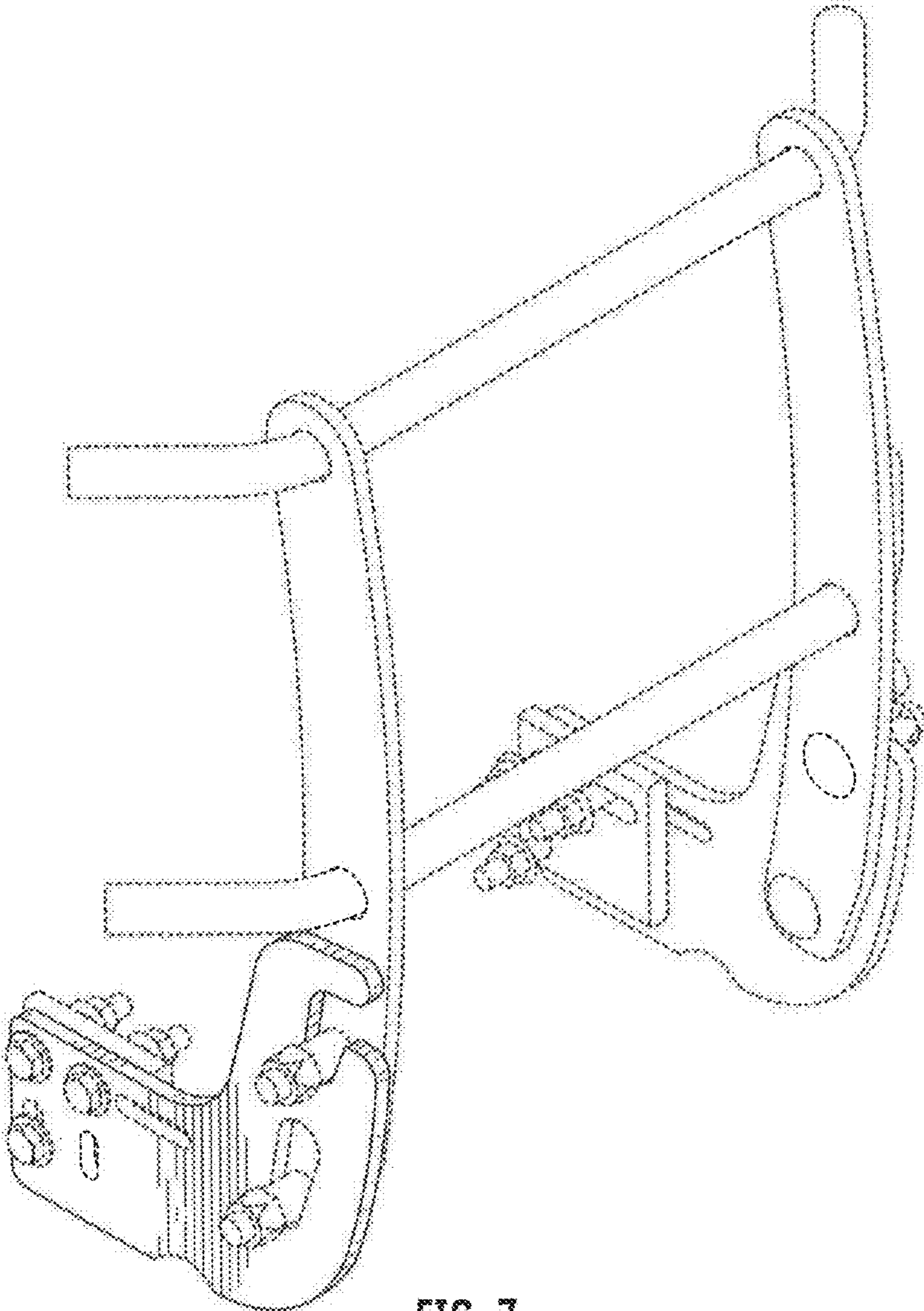


FIG. 6



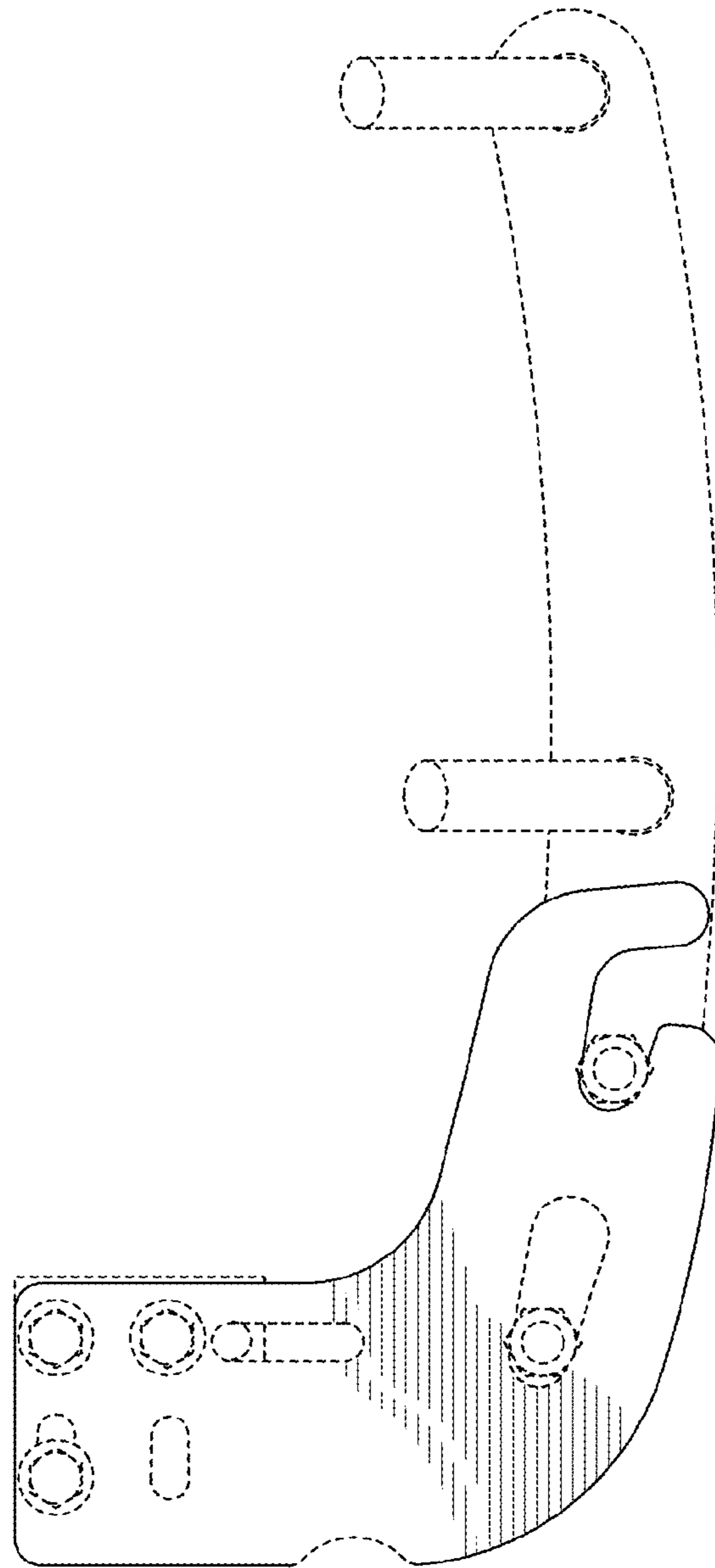


FIG. 8

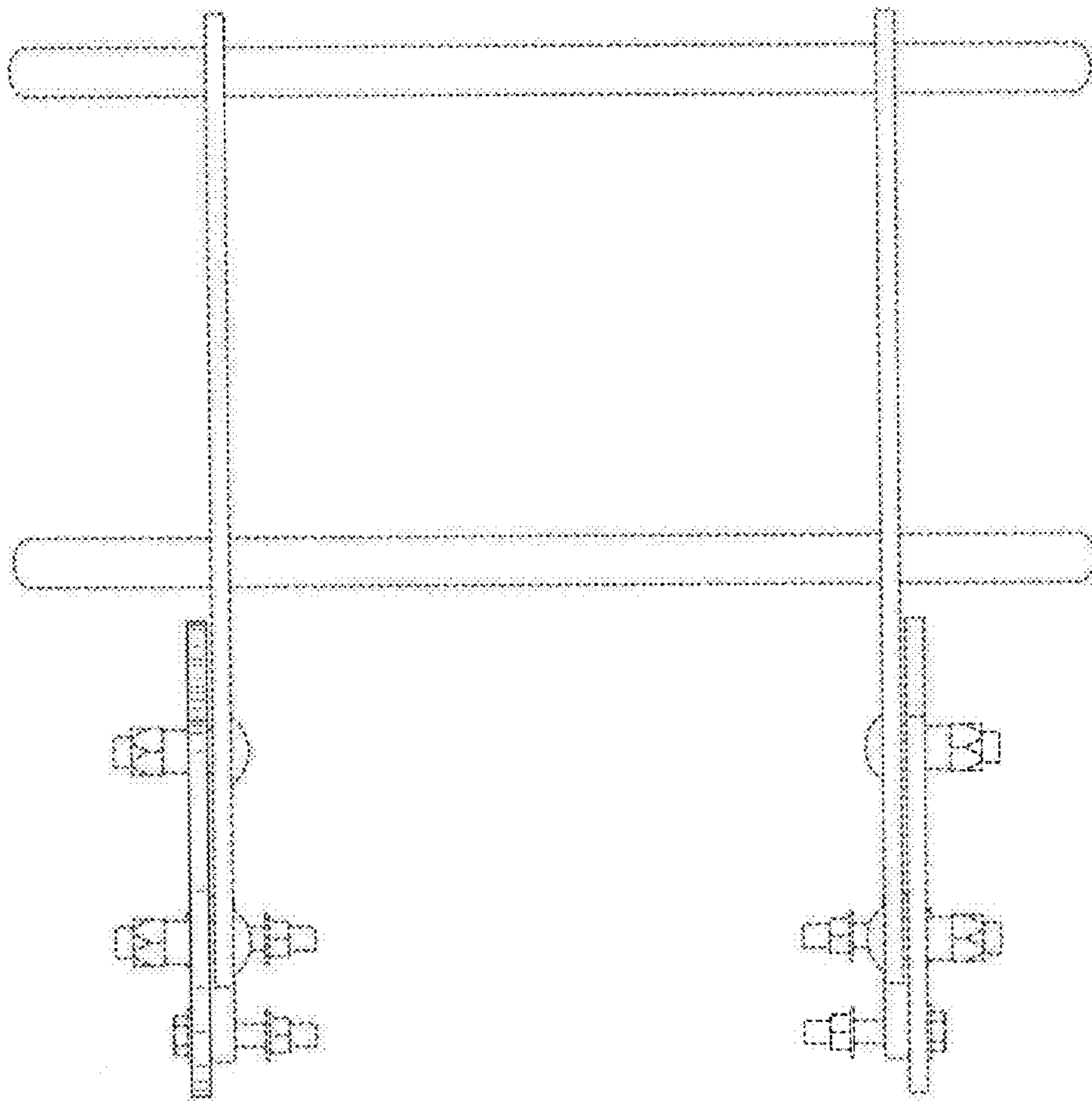


FIG. 9

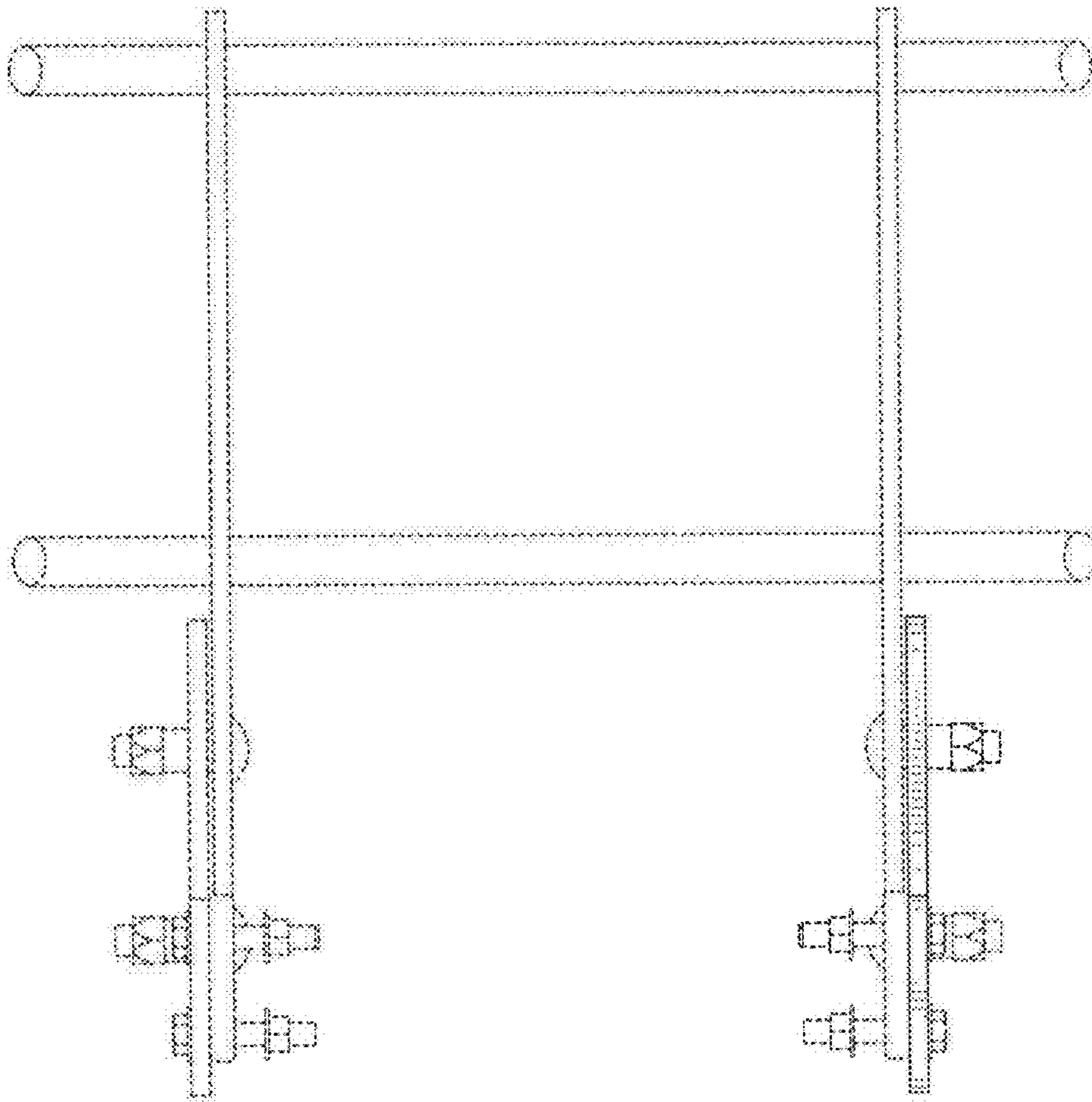


FIG. 10

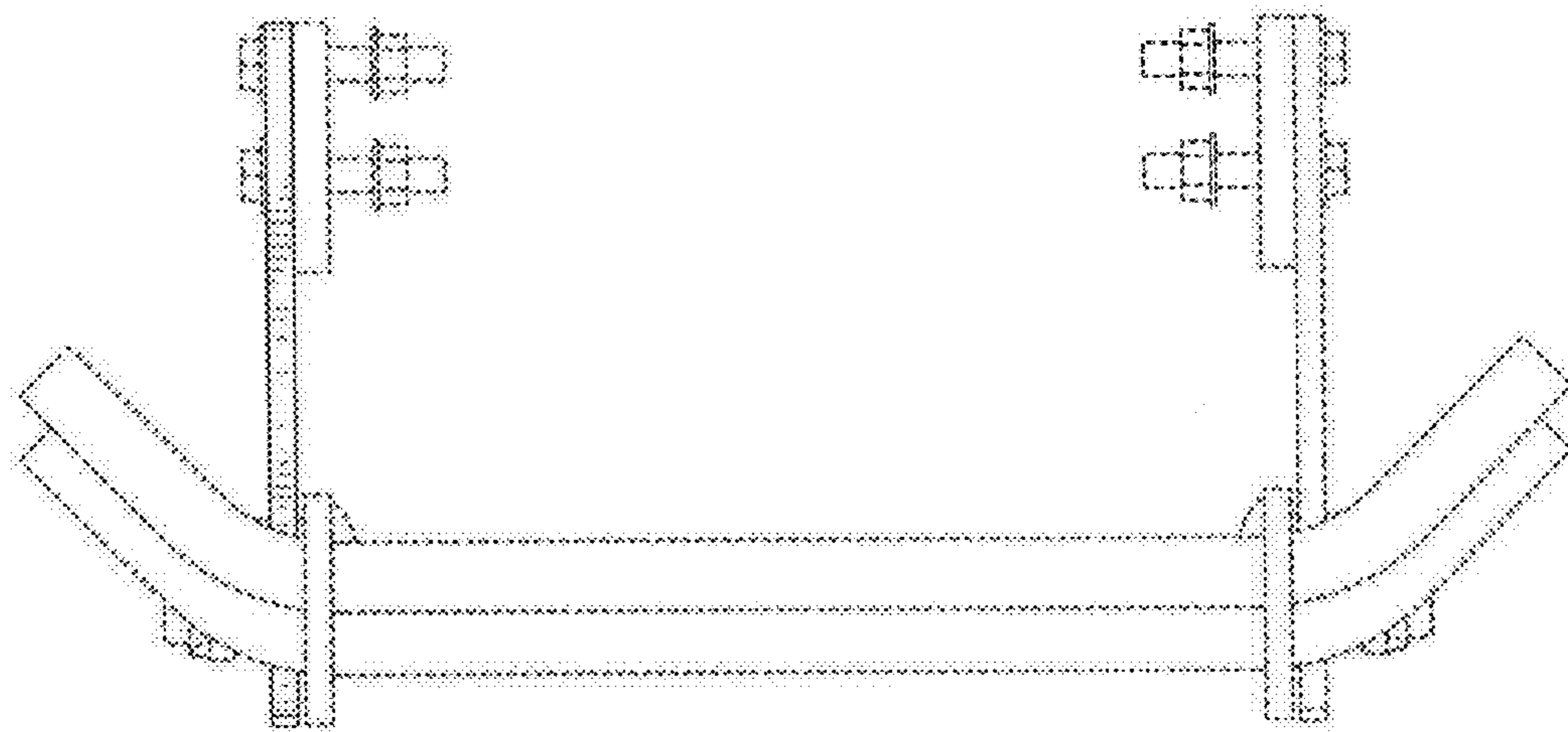


FIG. 11

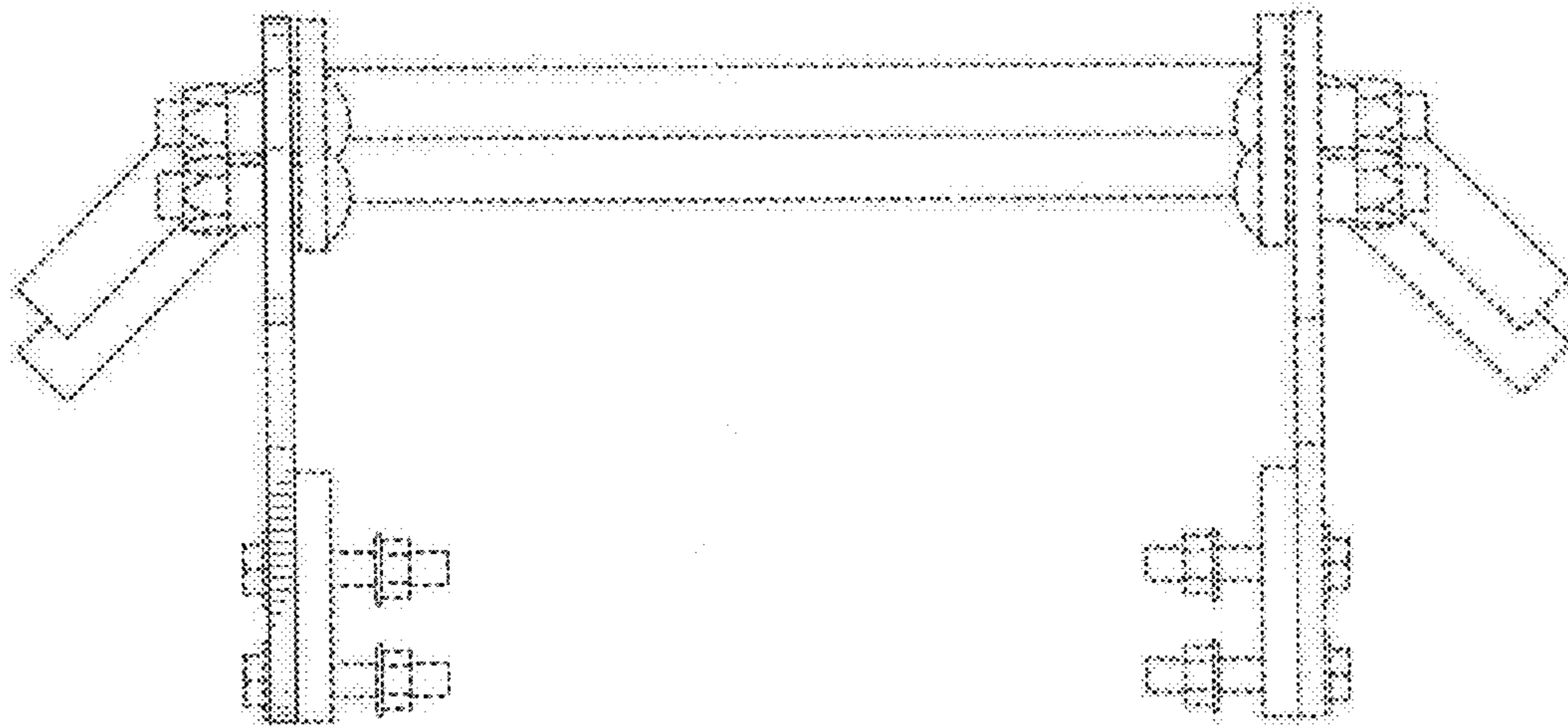


FIG. 12

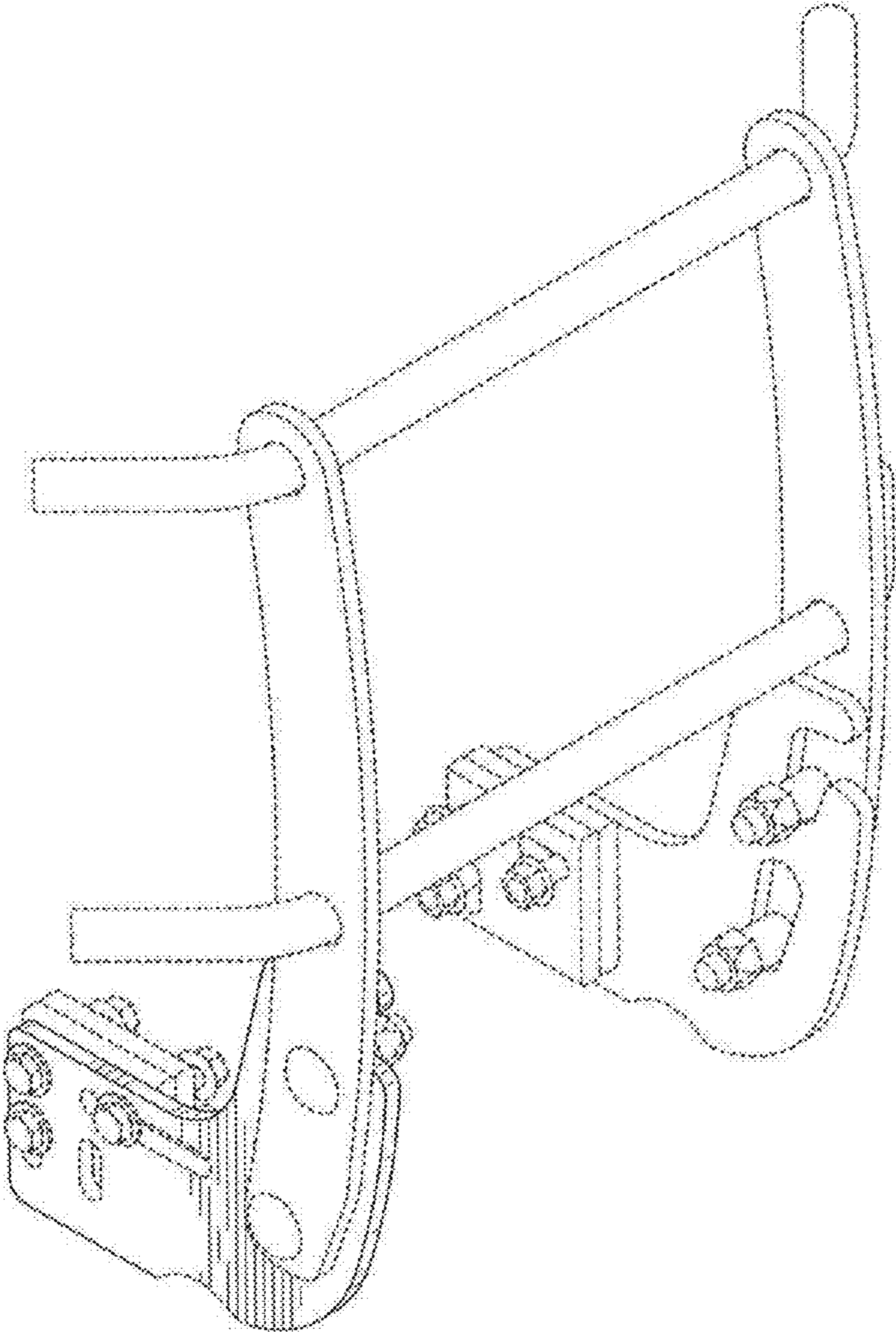


FIG. 13

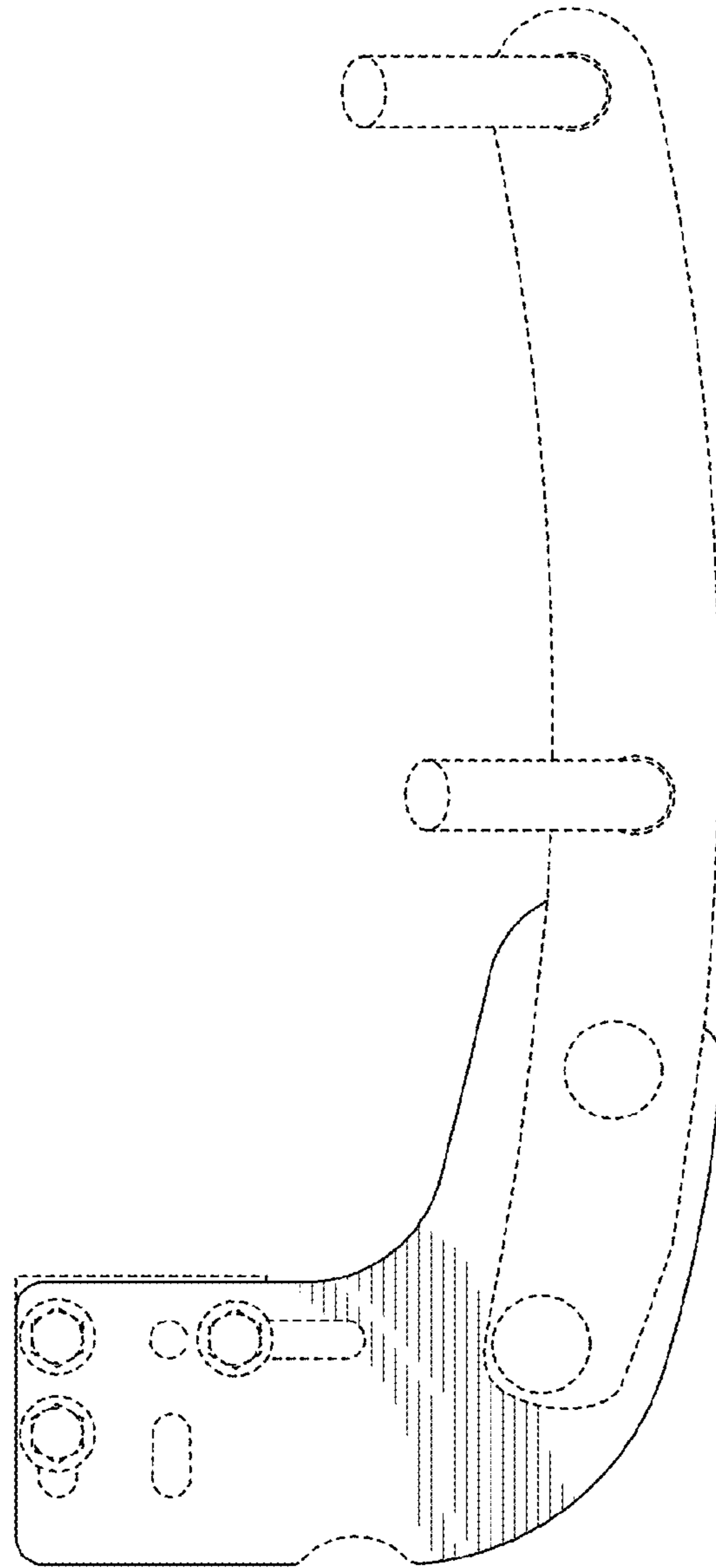


FIG. 14

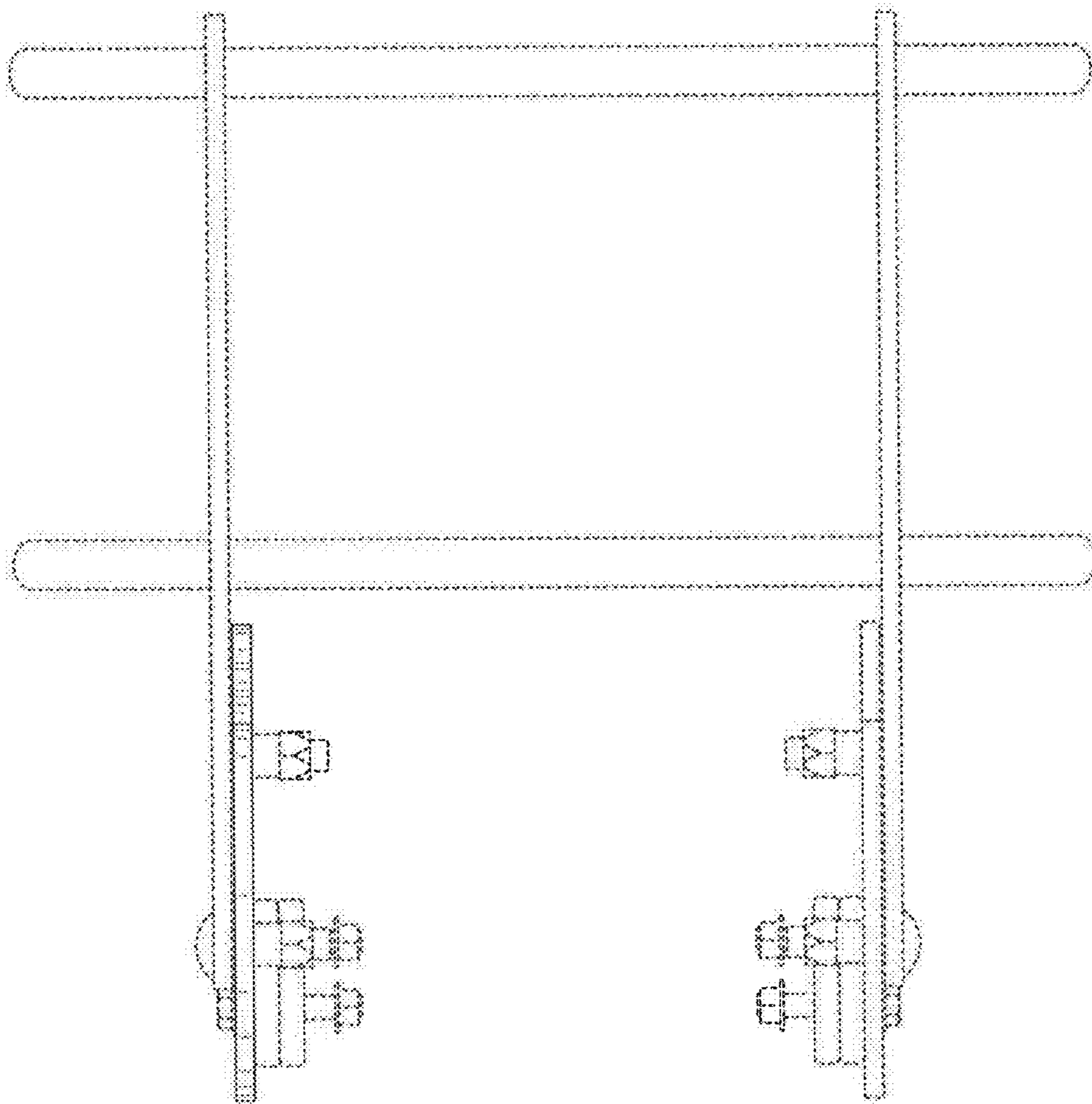


FIG. 15

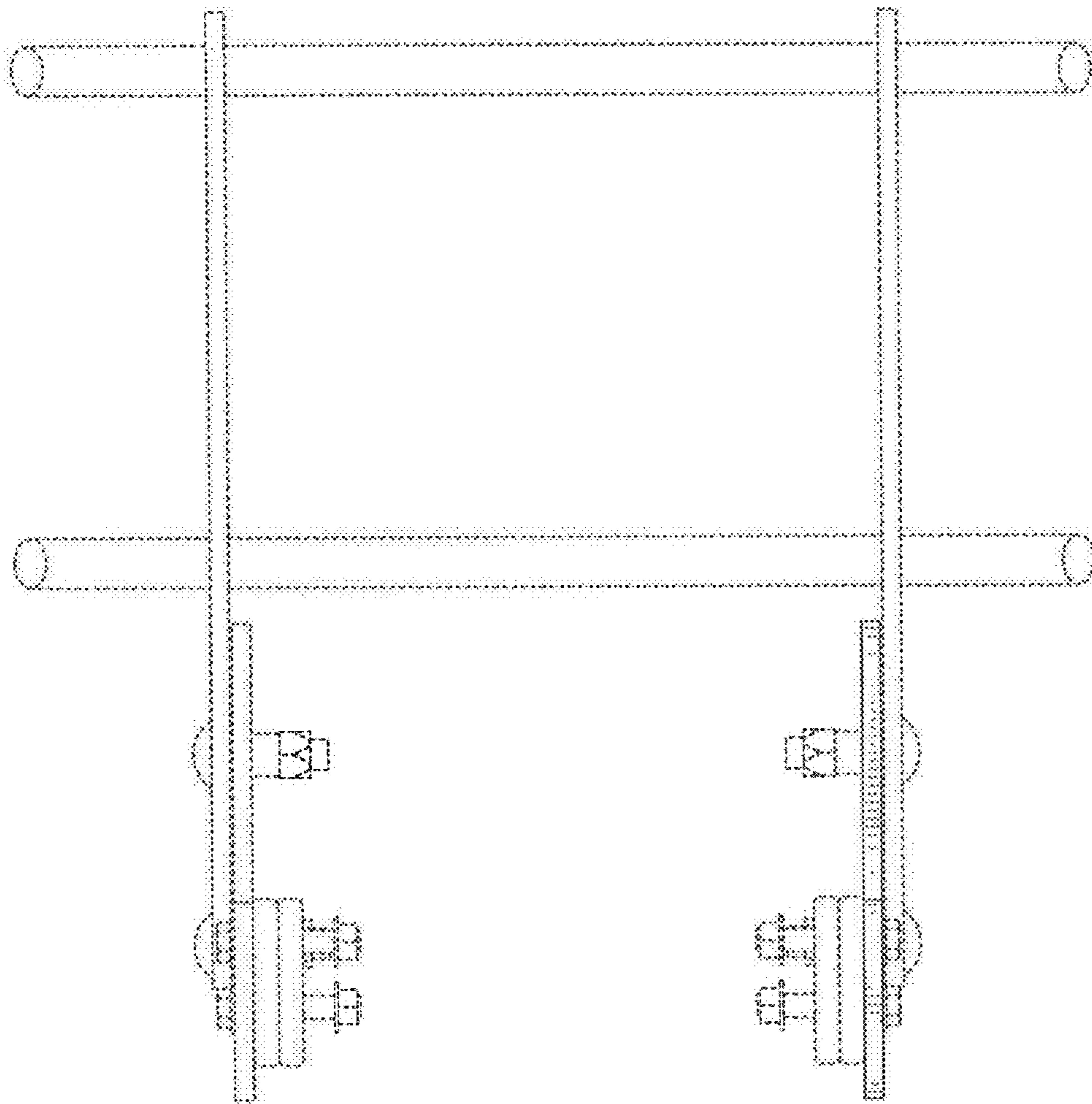


FIG. 16

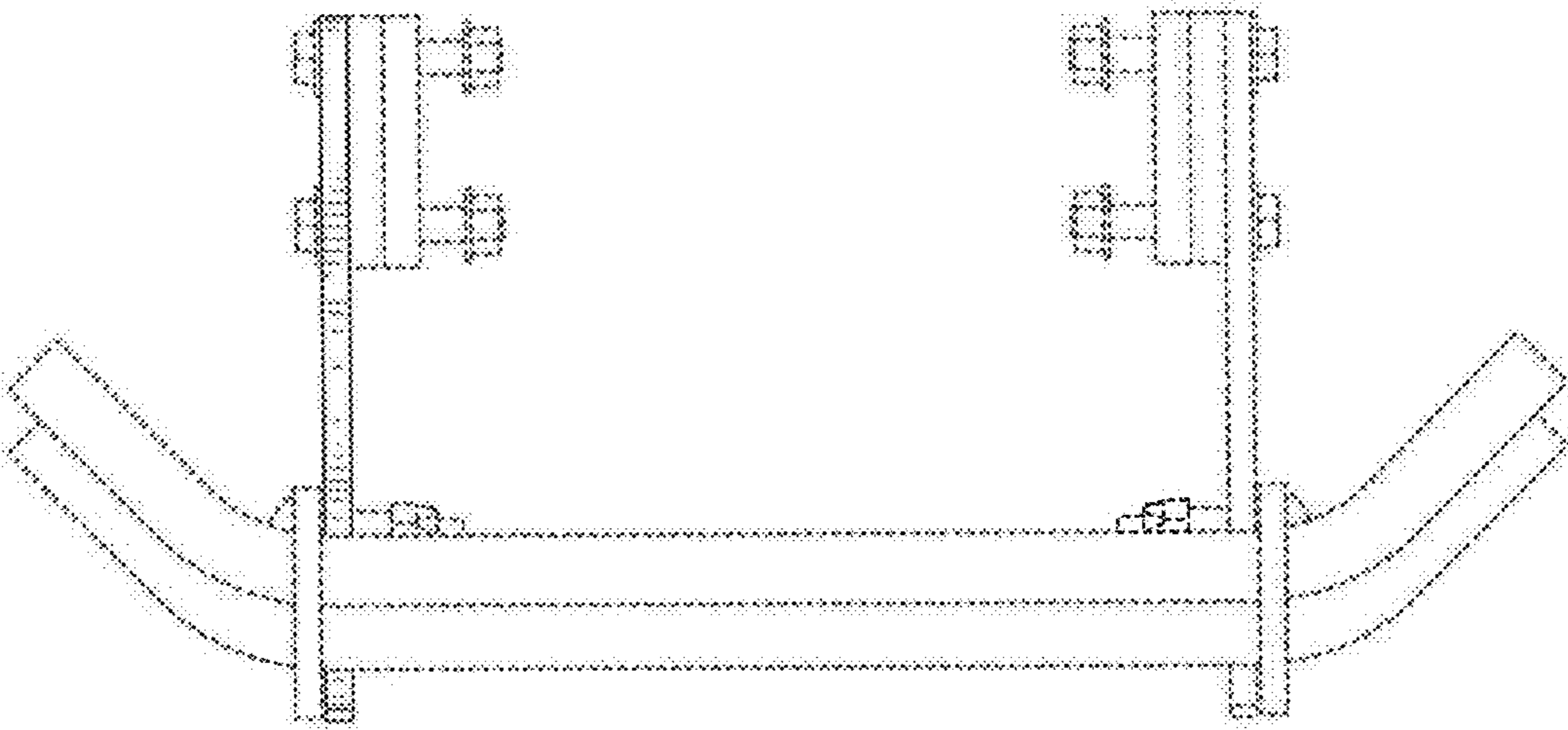


FIG. 17

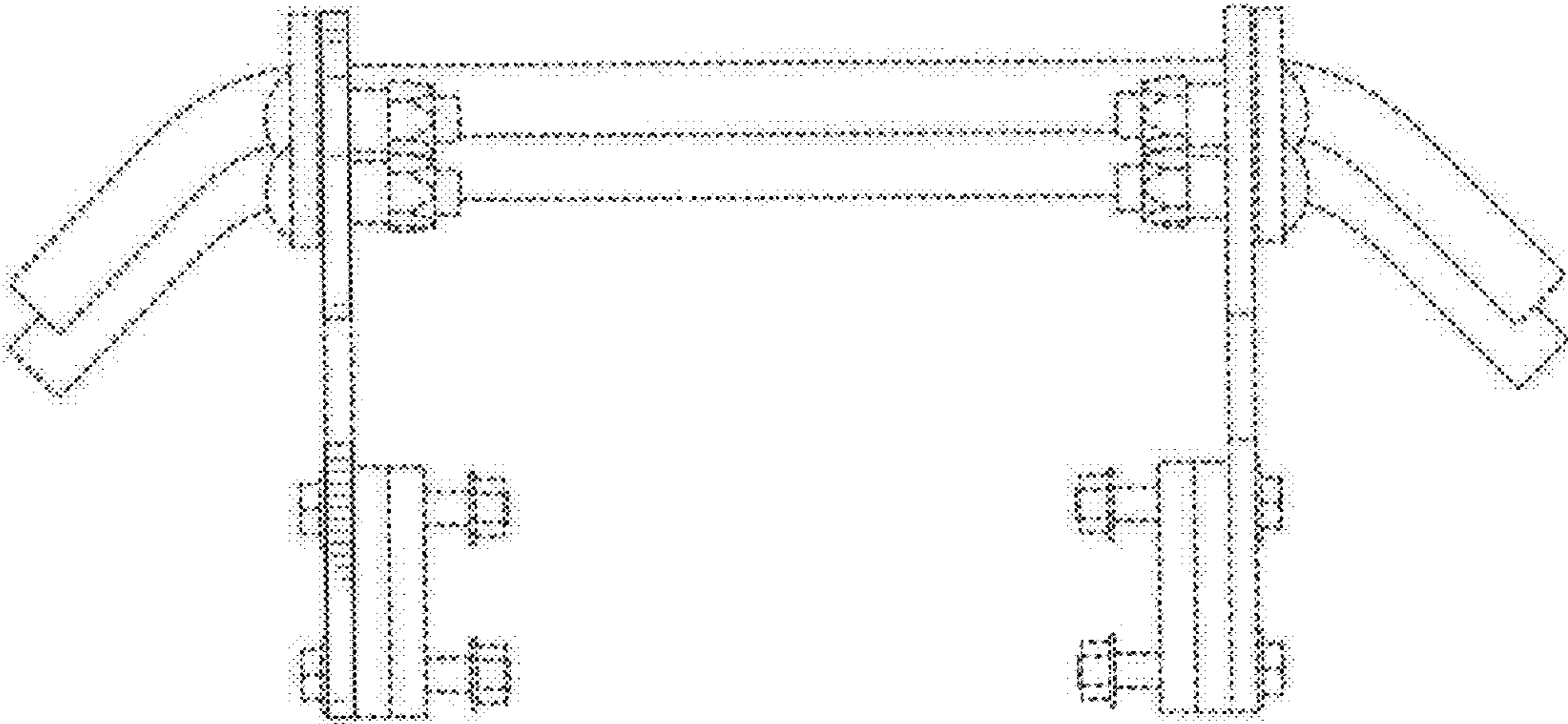


FIG. 18

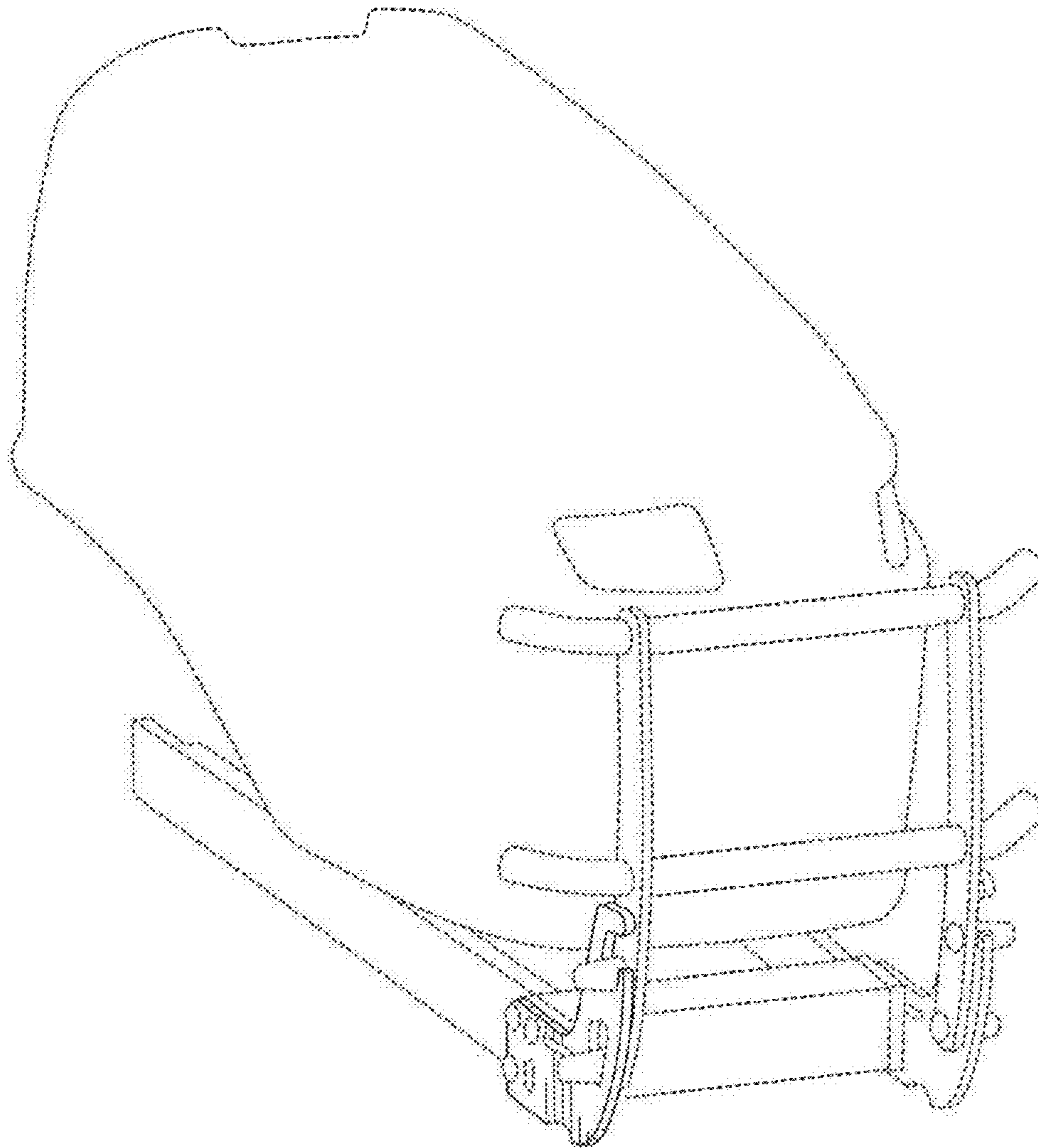


FIG. 19