

US00D735631S

(12) **United States Design Patent**  
**Chung**

(10) **Patent No.:** **US D735,631 S**

(45) **Date of Patent:** **\*\* Aug. 4, 2015**

(54) **WHEEL**

(71) Applicant: **Suny Chung**, Yorba Linda, CA (US)

(72) Inventor: **Suny Chung**, Yorba Linda, CA (US)

(73) Assignee: **Wheel Pros, LLC**, Greenwood Village, CO (US)

(\*\*) Term: **14 Years**

(21) Appl. No.: **29/475,783**

(22) Filed: **Dec. 6, 2013**

**Related U.S. Application Data**

(60) Continuation of application No. 29/439,753, filed on Dec. 14, 2012, now Pat. No. Des. 695,195, which is a division of application No. 29/435,797, filed on Oct. 29, 2012, now Pat. No. Des. 702,172.

(51) **LOC (10) Cl.** ..... **12-16**

(52) **U.S. Cl.**  
USPC ..... **D12/211**

(58) **Field of Classification Search**  
USPC ..... D12/204–213  
CPC ..... B60B 7/00; B60B 7/02; B60B 7/04;  
B60B 7/01; B60B 7/06; B60B 3/04; B60B  
3/10; B60B 3/02; B60B 3/06; B60B 1/00;  
B60B 1/10; B60B 1/08; B60B 1/12  
See application file for complete search history.

(56) **References Cited**

U.S. PATENT DOCUMENTS

D583,291 S *	12/2008	Treadway	.....	D12/211
D629,347 S *	12/2010	Kim	.....	D12/211
D639,221 S *	6/2011	Johnson	.....	D12/209
D659,067 S *	5/2012	Lee	.....	D12/209
D669,009 S *	10/2012	Chung	.....	D12/211
D671,483 S *	11/2012	Chung	.....	D12/211
D680,940 S *	4/2013	Hale, Jr.	.....	D12/211
D681,534 S *	5/2013	Zhao	.....	D12/211
D686,963 S *	7/2013	Hale, Jr.	.....	D12/211
D695,195 S *	12/2013	Chung	.....	D12/211
D704,616 S *	5/2014	Chung	.....	D12/211
D709,017 S *	7/2014	Chung	.....	D12/211

\* cited by examiner

*Primary Examiner* — Stacia Cadmus

(74) *Attorney, Agent, or Firm* — Garcia-Zamor IP Law; Ruy M. Garcia-Zamor

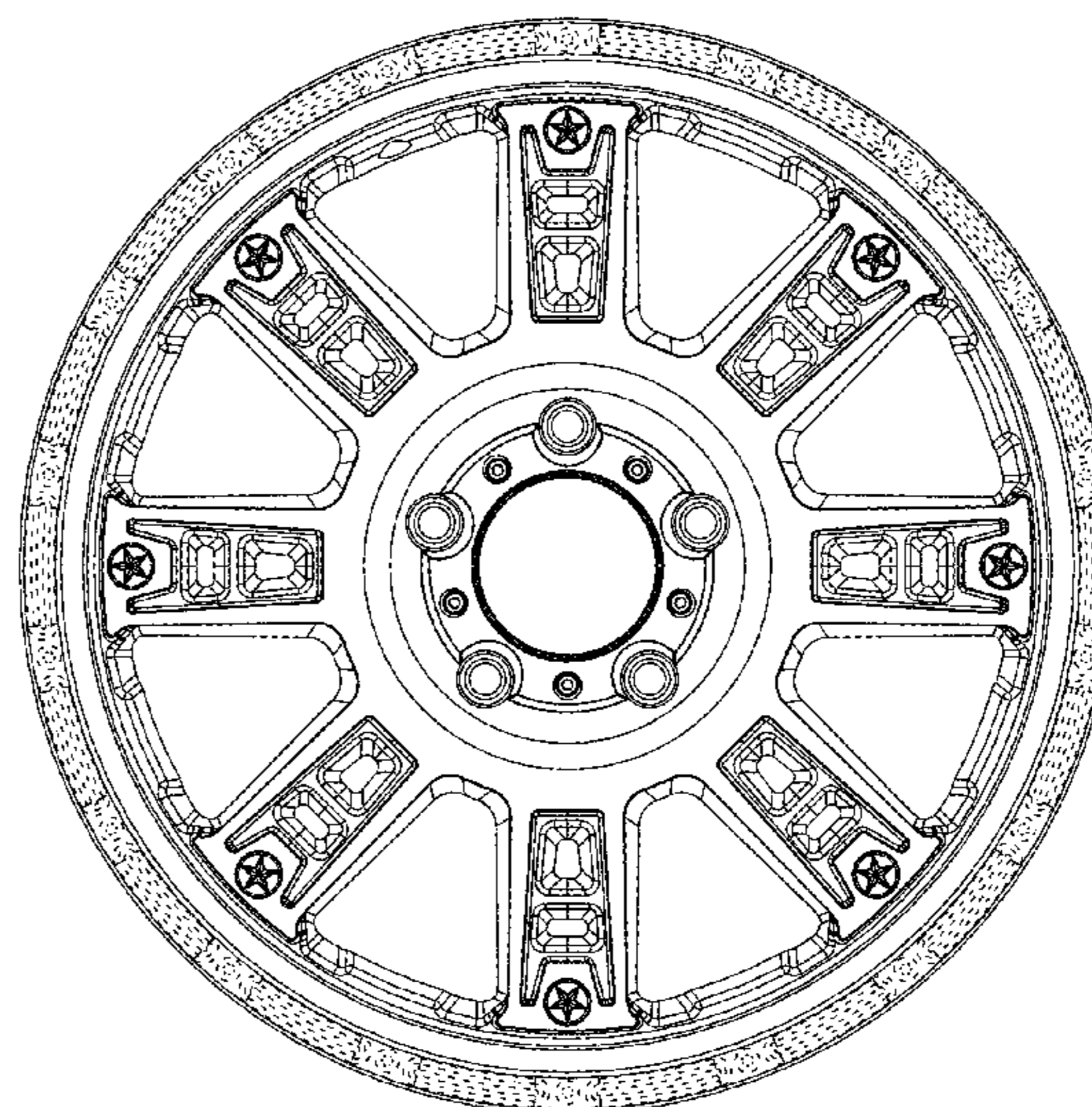
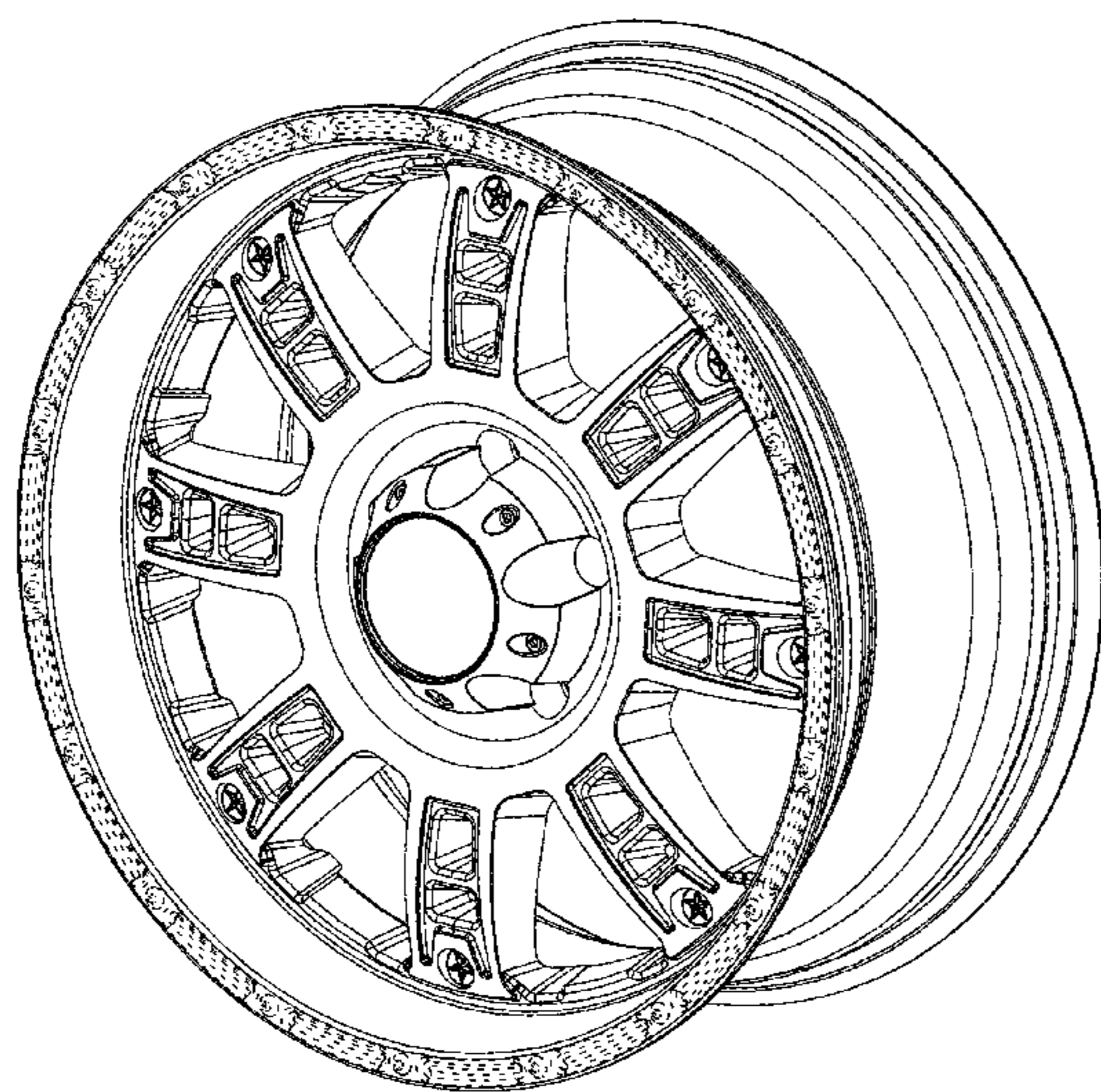
(57) **CLAIM**

The ornamental design for a wheel, as shown and described.

**DESCRIPTION**

FIG. 1 is a perspective view of a wheel showing of my new design; and, FIG. 2 is a front elevational view of the wheel of FIG. 1, those features not shown in the views of FIGS. 1 and 2 are disclaimed as forming no part of the claimed design. The broken lines in FIGS. 1 and 2 represent environment and are for illustrative purposes only and do not constitute part of the claimed design.

**1 Claim, 2 Drawing Sheets**





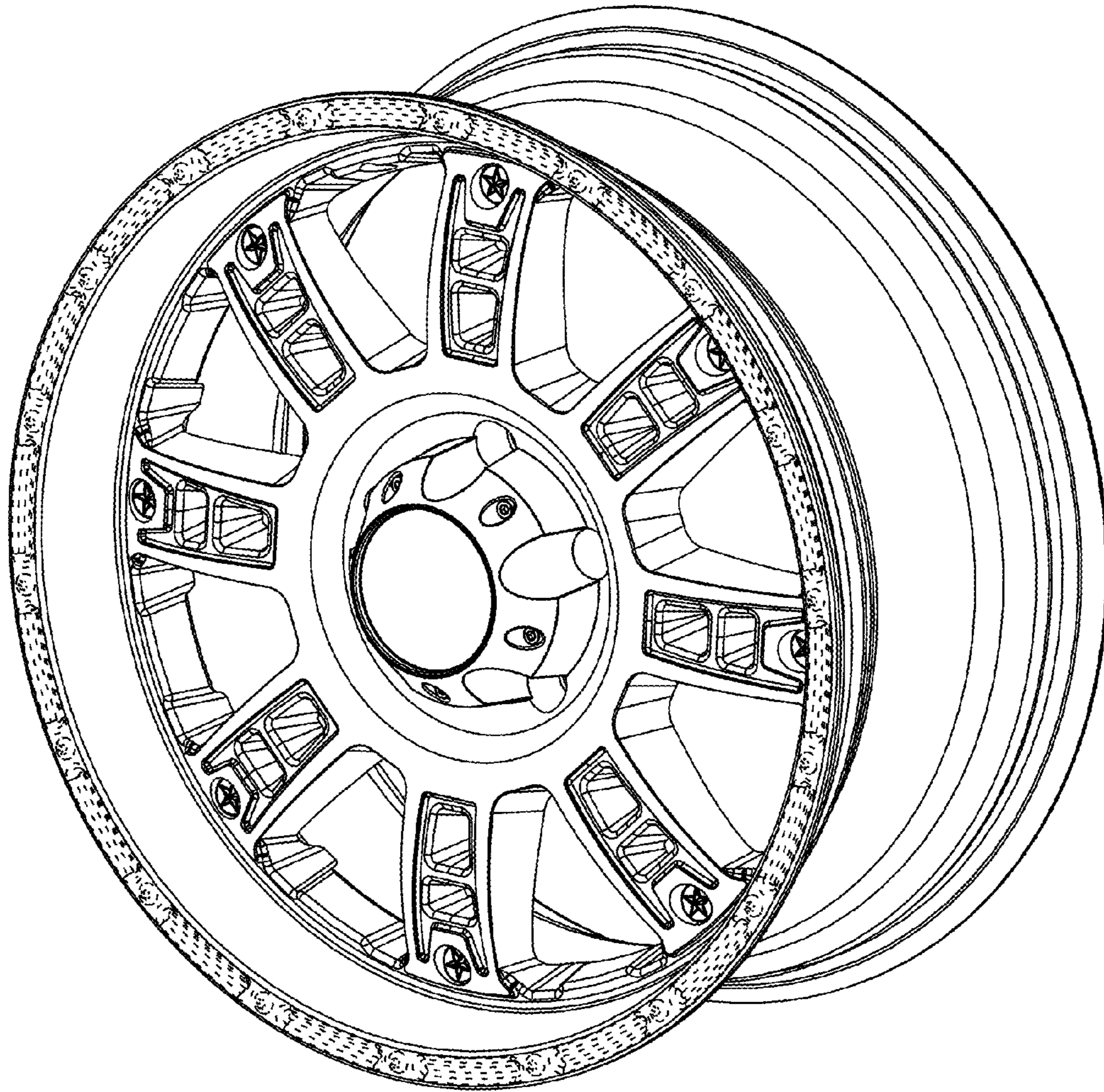


FIG. 1

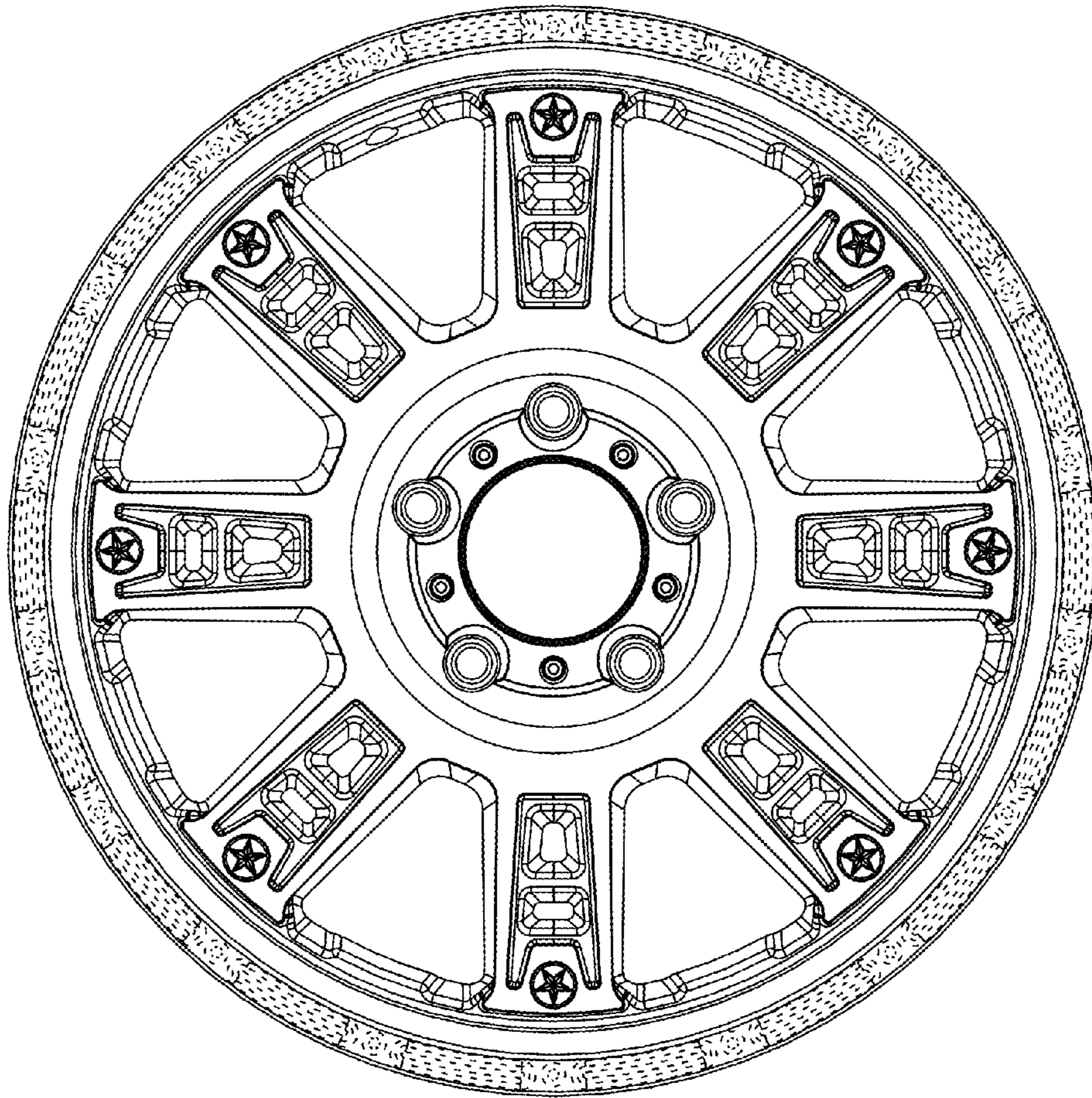


FIG. 2