



US00D735627S

(12) **United States Design Patent**
Smith et al.

(10) **Patent No.:** **US D735,627 S**
(45) **Date of Patent:** **** Aug. 4, 2015**

- (54) **VEHICLE HOOD**
- (71) Applicant: **GM GLOBAL TECHNOLOGY OPERATIONS LLC**, Detroit, MI (US)
- (72) Inventors: **Brian J. Smith**, Farmington Hills, MI (US); **Robin Krieg**, Bloomfield Hills, MI (US)
- (73) Assignee: **GM Global Technology Operations LLC**, Detroit, MI (US)
- (**) Term: **14 Years**
- (21) Appl. No.: **29/498,242**
- (22) Filed: **Aug. 1, 2014**
- (51) **LOC (10) Cl.** **12-16**
- (52) **U.S. Cl.**
USPC **D12/173**
- (58) **Field of Classification Search**
USPC D12/173, 196, 86, 90-92, 181;
180/69.21, 69.2, 69.22
CPC B62D 25/10; B60Q 1/00
See application file for complete search history.

- D679,227 S * 4/2013 Schmeckpeper D12/173
- D683,675 S * 6/2013 Munson et al. D12/173
- 8,636,396 B2 * 1/2014 Tanaka 362/496
- D709,003 S * 7/2014 Jung D12/173
- D709,004 S * 7/2014 Jung D12/173
- D712,323 S * 9/2014 Mays et al. D12/173
- D718,683 S * 12/2014 Thole et al. D12/173

OTHER PUBLICATIONS

Design U.S. Appl. No. 29/466,620, filed Sep. 10, 2013; First Named Inventor: Louis D. Thole; Title: Vehicle Hood.
Design U.S. Appl. No. 29/471,417, filed Oct. 31, 2013; First Named Inventor: Robin Krieg; Title: Vehicle Body Exterior.

* cited by examiner

Primary Examiner — Melody Brown

(74) *Attorney, Agent, or Firm* — Lionel D. Anderson; Reising Ethington P.C.

(57) **CLAIM**

The ornamental design for a vehicle hood, as shown and described.

DESCRIPTION

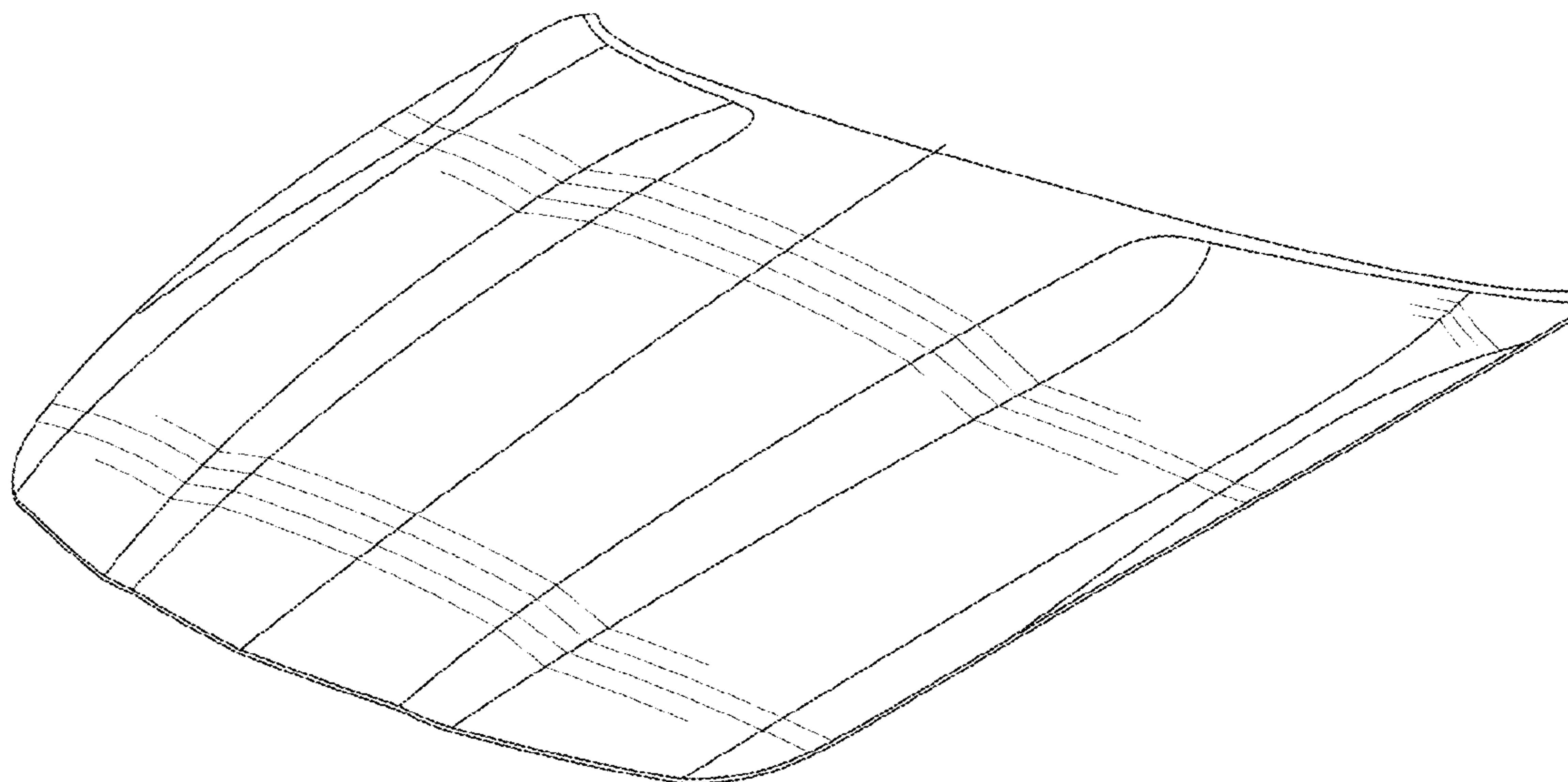
FIG. 1 is a front perspective view of a vehicle hood showing our new design;
FIG. 2 is a front view thereof;
FIG. 3 is a top plan view thereof; and,
FIG. 4 is a left side elevation view thereof.
The right side elevation view is omitted because the right side elevation view is identical to the left side elevation view.

1 Claim, 2 Drawing Sheets

(56) **References Cited**

U.S. PATENT DOCUMENTS

- D597,454 S * 8/2009 Wagner et al. D12/173
- D609,615 S * 2/2010 Krugger et al. D12/173
- D612,779 S * 3/2010 Elliott et al. D12/173
- D655,227 S * 3/2012 Hanson et al. D12/173



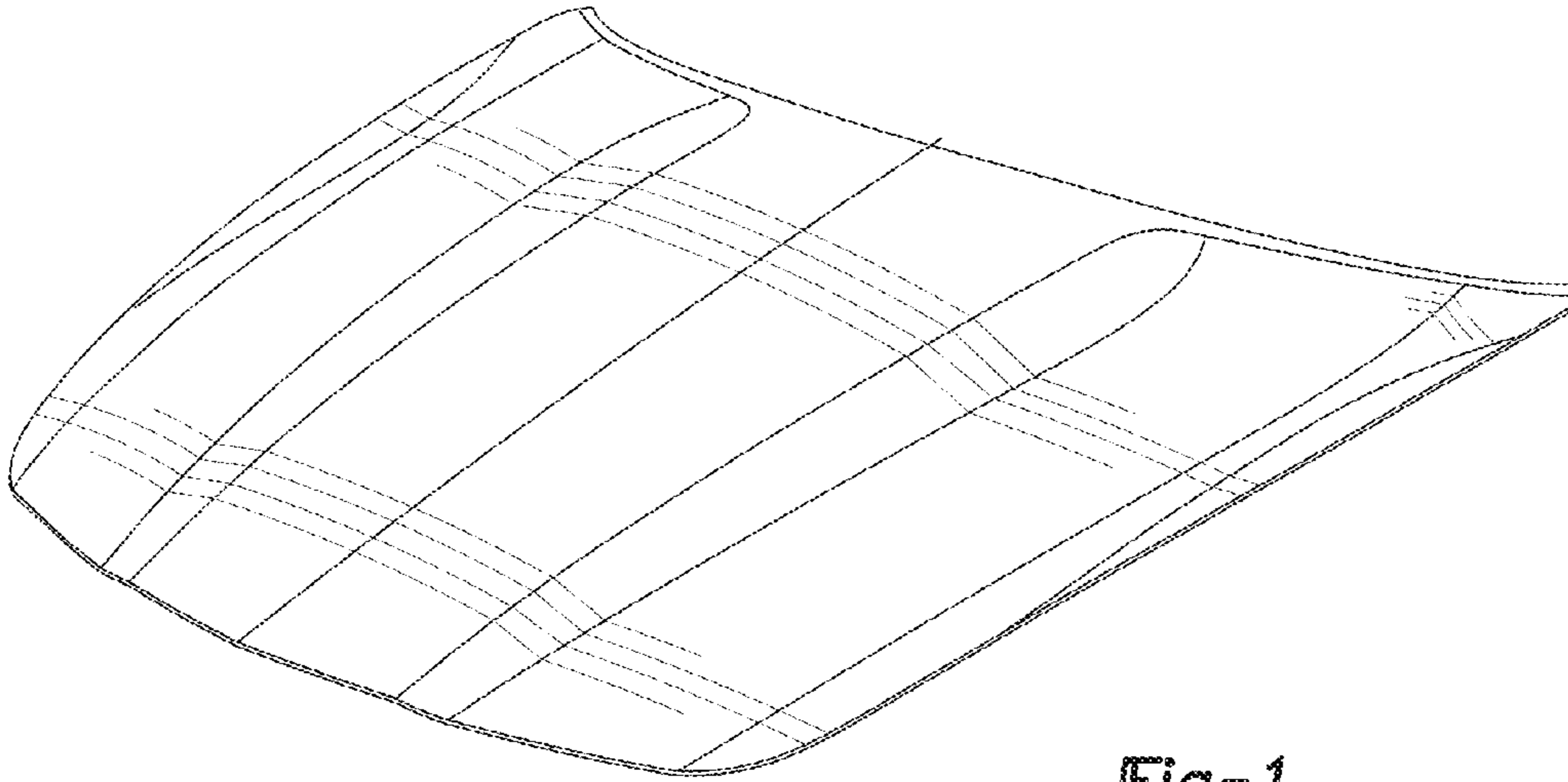


Fig-1

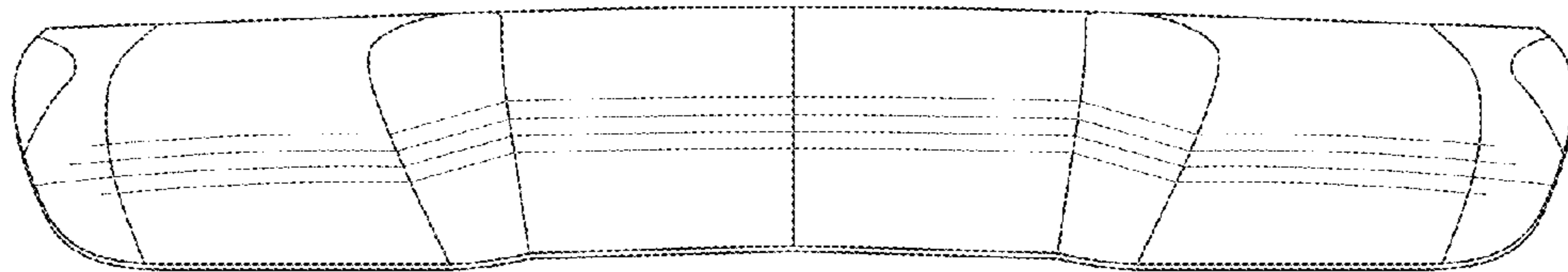


Fig-2

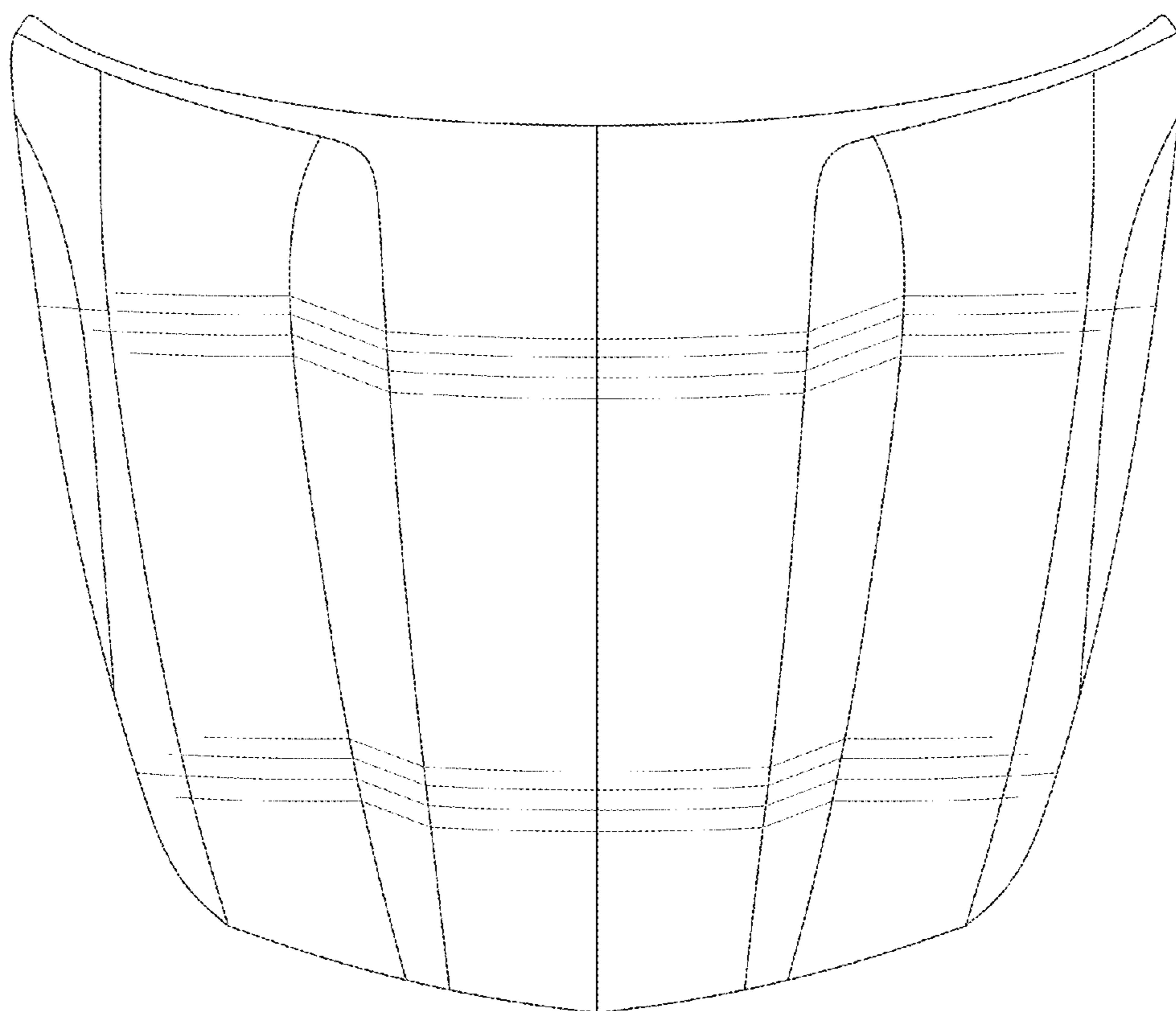


Fig-3



Fig-4