



US00D735623S

(12) **United States Design Patent**  
**Platto et al.**

(10) **Patent No.:** **US D735,623 S**

(45) **Date of Patent:** **\*\* Aug. 4, 2015**

(54) **VEHICLE GRILLE**

(71) Applicant: **Ford Motor Company**, Dearborn, MI (US)

(72) Inventors: **Gordon M. Platto**, Troy, MI (US);  
**Bradley A. Richards**, Bloomfield Hills, MI (US); **Moray S. Callum**, Ann Arbor, MI (US); **Joel Piaskowski**, Brighton (AU); **Jonathan Fontaine**, Royal Oak, MI (US); **Anthony Meyer**, Dearborn, MI (US)

(73) Assignee: **Ford Motor Company**, Dearborn, MI (US)

(\*\*) Term: **14 Years**

(21) Appl. No.: **29/475,475**

(22) Filed: **Dec. 3, 2013**

(51) **LOC (10) Cl.** ..... **12-16**

(52) **U.S. Cl.**  
USPC ..... **D12/163**

(58) **Field of Classification Search**  
USPC ..... D15/28-33, 23, 10; D12/163, 171, 216;  
296/193.1; 180/68.6, 900

See application file for complete search history.

(56) **References Cited**

U.S. PATENT DOCUMENTS

D382,279	S	*	8/1997	Goebert et al.	.....	D15/31
D456,822	S	*	5/2002	Westimayer et al.	.....	D15/31
7,152,915	B2	*	12/2006	Diehl et al.	.....	296/193.1
D535,591	S	*	1/2007	Schiavone	.....	D12/163
D579,829	S	*	11/2008	Hokao et al.	.....	D12/163
D703,108	S	*	4/2014	Futschik et al.	.....	D12/163
D712,317	S	*	9/2014	George et al.	.....	D12/163
D718,673	S	*	12/2014	Thole et al.	.....	D12/163

\* cited by examiner

*Primary Examiner* — Robin V Webster

(74) *Attorney, Agent, or Firm* — Damian Porcari

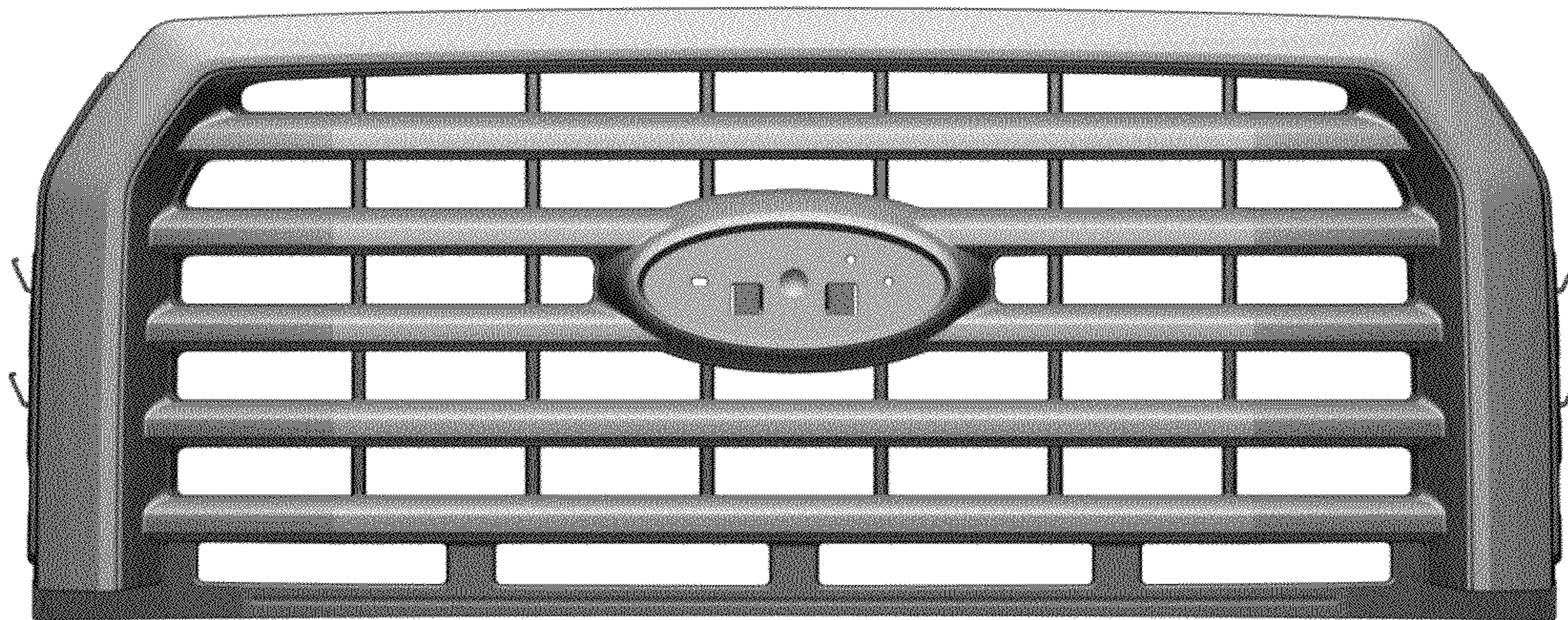
(57) **CLAIM**

The ornamental design for a vehicle grille, as shown and described.

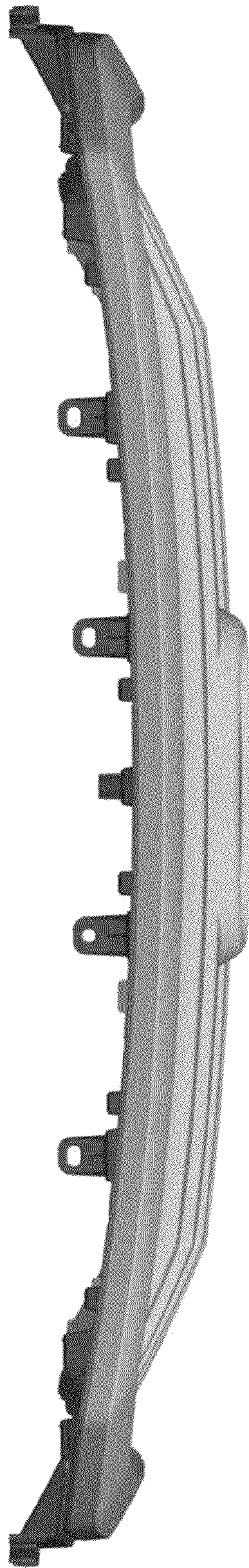
**DESCRIPTION**

FIG. 1 is a top plan view of a vehicle grille;  
FIG. 2 is a bottom plan view thereof;  
FIG. 3 is a front elevational view thereof;  
FIG. 4 is a left side elevational view thereof;  
FIG. 5 is a right side elevational view thereof;  
FIG. 6 is a top left side perspective view thereof; and,  
FIG. 7 is top right side perspective view thereof.

**1 Claim, 7 Drawing Sheets**







*Figure 1*

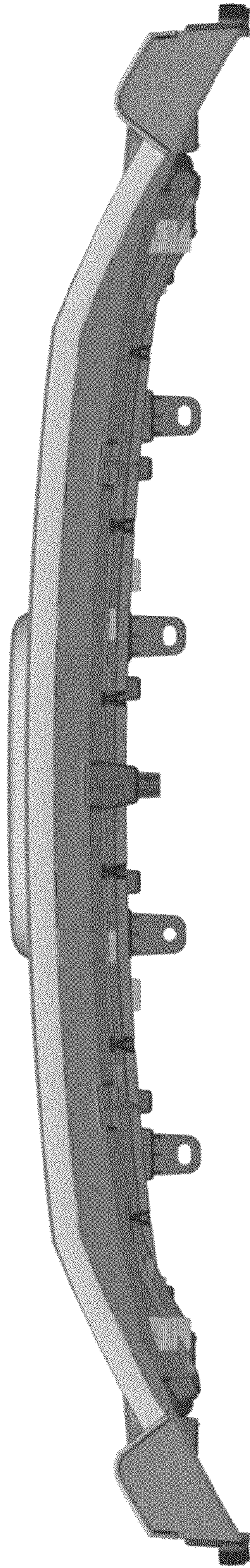


Figure 2





Figure 3



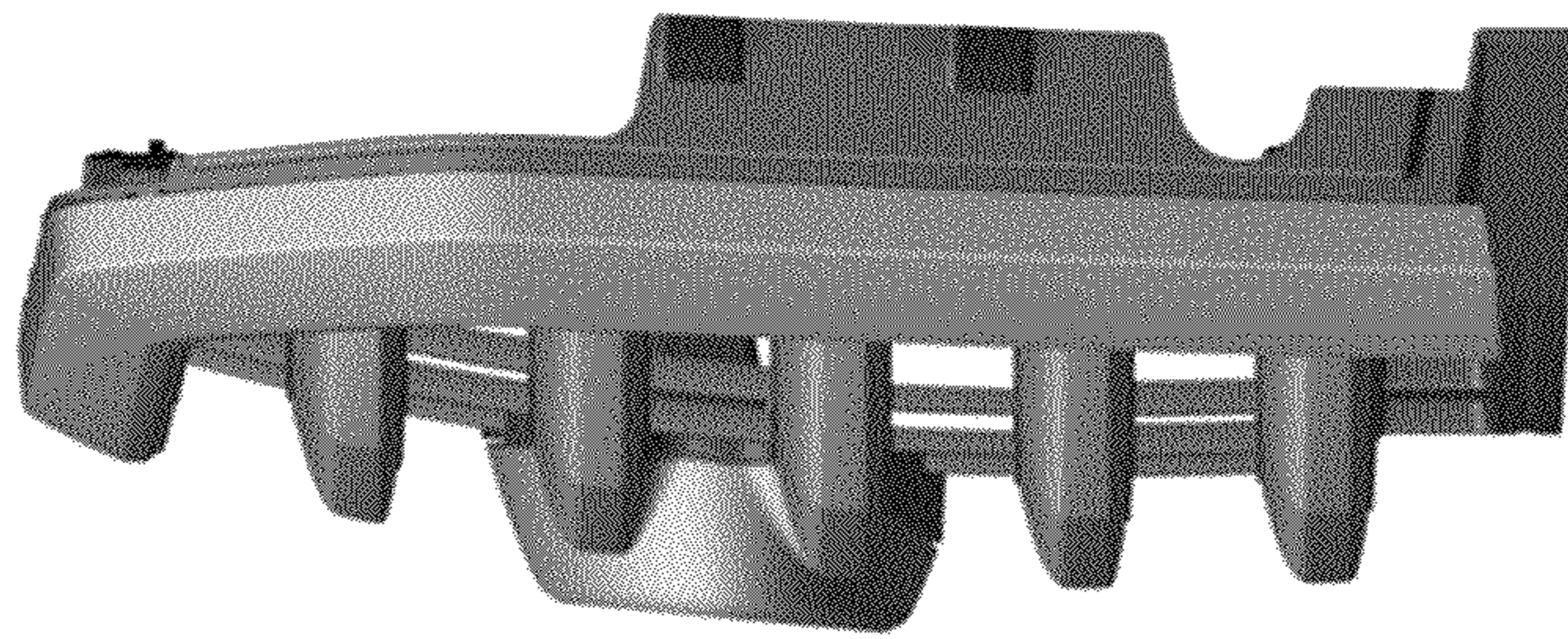


Figure 4

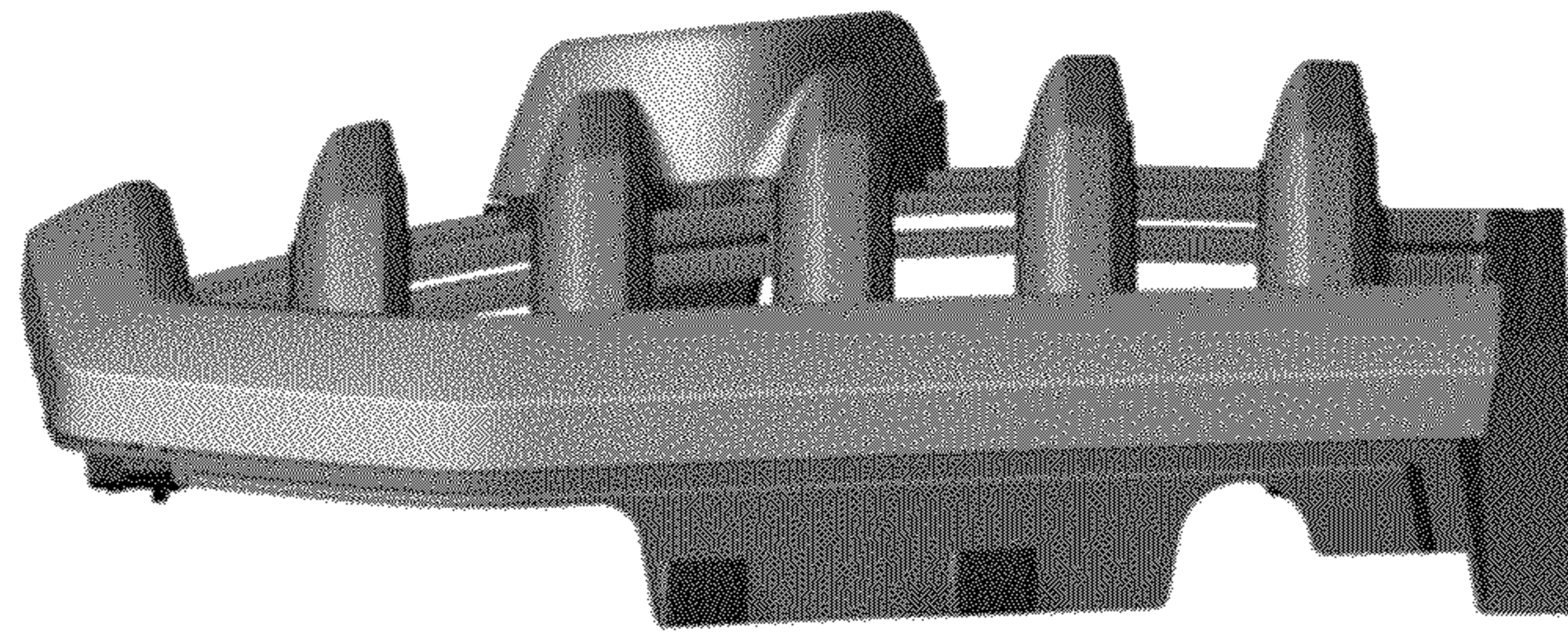


Figure 5



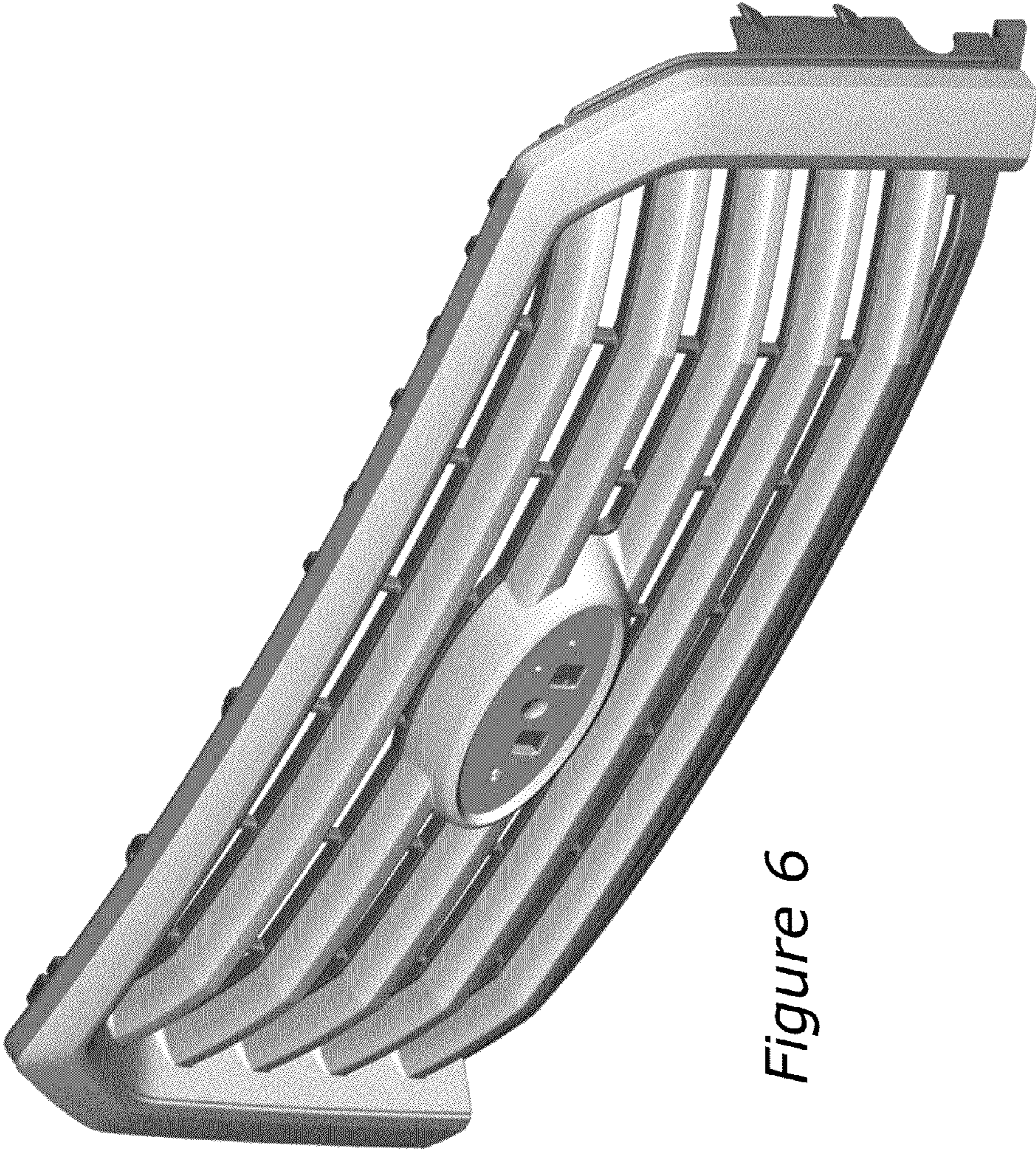


Figure 6





Figure 7