



US00D735622S

(12) **United States Design Patent**  
**Spalding et al.**

(10) **Patent No.:** **US D735,622 S**

(45) **Date of Patent:** **\*\* Aug. 4, 2015**

(54) **ARMREST FOR A WHEELCHAIR**

FOREIGN PATENT DOCUMENTS

(75) Inventors: **Joseph Spalding**, Akron, OH (US);  
**Daniel James Yee**, Parma, OH (US);  
**Damon Jurkiewicz**, Cleveland, OH  
(US); **Howard Loewenthal**, Hinckley,  
OH (US)

WO 9746516 12/1997

OTHER PUBLICATIONS

Invacare Corporation, Operator and Maintenance Manual, Pronto  
M51 and M61 with SureStep, 80 pages, Rev. J—Oct. 2008, copyright  
2008.

(73) Assignee: **Invacare Corp.**, Elyria, OH (US)

(Continued)

(\*\*) Term: **14 Years**

*Primary Examiner* — Ian Simmons

*Assistant Examiner* — Charles Hanson

(21) Appl. No.: **29/388,892**

(74) *Attorney, Agent, or Firm* — Calfee, Halter & Griswold  
LLP

(22) Filed: **Apr. 4, 2011**

(51) **LOC (10) Cl.** ..... **12-12**

(52) **U.S. Cl.**  
USPC ..... **D12/133**

(58) **Field of Classification Search**

USPC ..... D12/128–133, 85; 280/62, 647–650,  
280/29, 200, 47.38, 250.1, 259, 642, 658;  
296/65.03, 65.04; 224/409; 297/DIG. 4,  
297/411.2; 180/65.51, 65.1; 248/118;  
D6/334, 344, 364–366, 716.2, 716.3  
CPC ..... B62B 7/08; Y02T 10/7005; Y10S 297/04;  
A61G 2005/1054; B60K 7/0007  
See application file for complete search history.

(57) **CLAIM**

The ornamental design for an armrest for a wheelchair, as  
shown and described.

**DESCRIPTION**

FIG. 1 is a perspective view of an armrest for a wheel chair  
showing an embodiment of the new design;  
FIG. 2 is a right side view of the armrest for a wheel chair  
design shown in FIG. 1;  
FIG. 3 is a left side view of the armrest for a wheel chair  
design shown in FIG. 1;  
FIG. 4 is a front view of the armrest for a wheel chair design  
shown in FIG. 1;  
FIG. 5 is a back view of the armrest for a wheel chair design  
shown in FIG. 1;  
FIG. 6 is a top view of the armrest for a wheel chair of design  
shown in FIG. 1; and,  
FIG. 7 is a bottom view of the armrest for a wheel chair design  
shown in FIG. 1.

The broken lines shown in the drawings are for illustrative  
purposes only and form no part of the claimed design. The  
surface shading illustrated in the drawings is provided merely  
to highlight the contour of the design and is not intended to be  
illustrative texture or gloss.

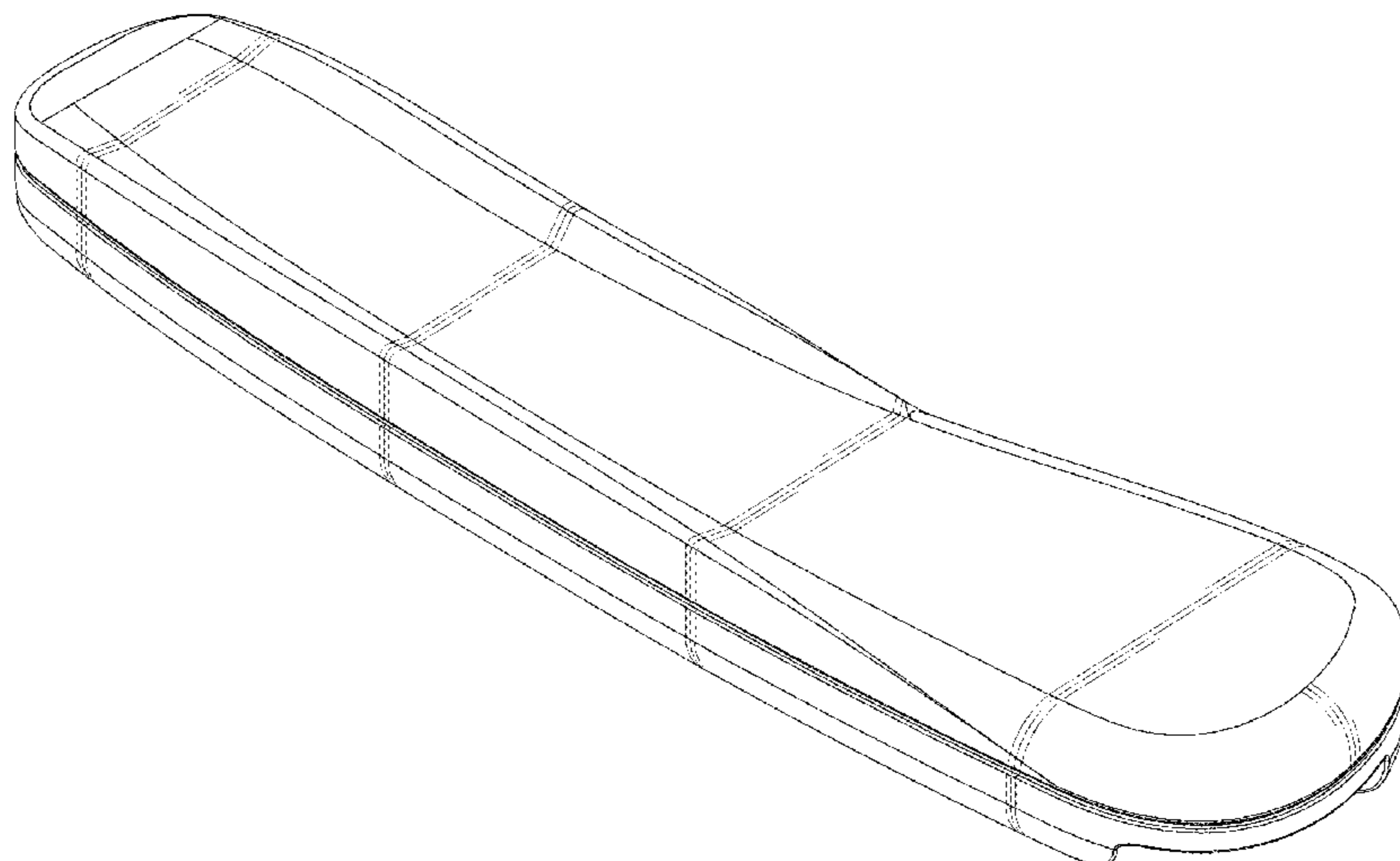
(56) **References Cited**

U.S. PATENT DOCUMENTS

D231,801 S	6/1974	Pivacek
3,865,427 A	2/1975	Delany
4,025,112 A	5/1977	Hale
4,961,610 A	10/1990	Reeder et al.
5,018,788 A	5/1991	Cedergreen
5,033,792 A	7/1991	Kanazawa
D333,737 S	3/1993	Adams
5,275,466 A	1/1994	Rentchler, Jr.
5,366,037 A	11/1994	Richey
D365,787 S	1/1996	Peterson et al.
D380,991 S	7/1997	Deming

(Continued)

**1 Claim, 3 Drawing Sheets**



(56)

References Cited

U.S. PATENT DOCUMENTS

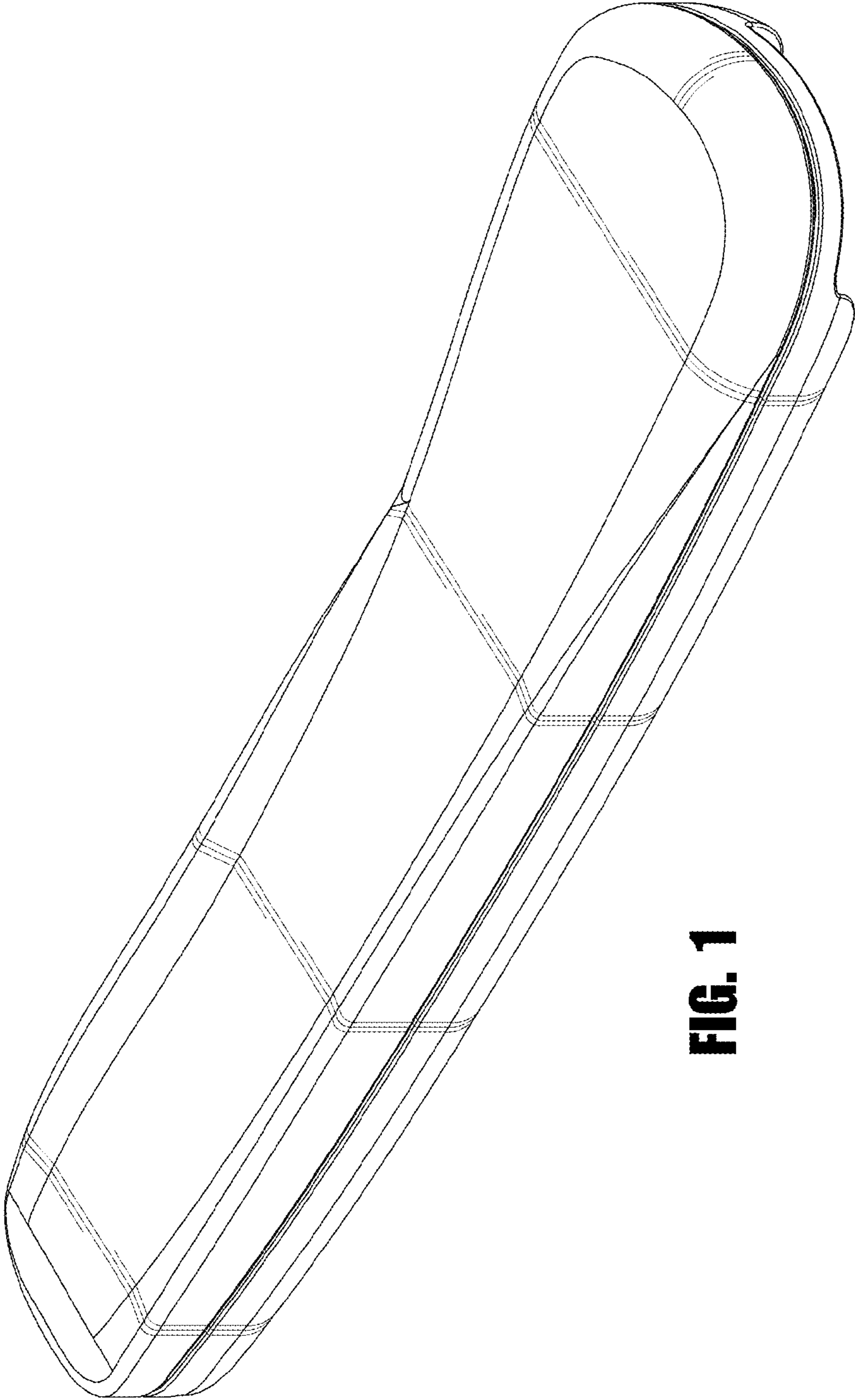
5,820,221 A 10/1998 Greaves et al.  
 5,996,716 A \* 12/1999 Montiglio et al. .... 180/65.51  
 6,015,190 A 1/2000 Wend  
 6,312,000 B1 11/2001 Pauls et al.  
 6,352,273 B1 3/2002 Dickie  
 D457,466 S \* 5/2002 Cheng ..... D12/85  
 6,386,638 B1 5/2002 Strauch  
 D460,028 S \* 7/2002 Wu et al. .... D12/128  
 D462,639 S 9/2002 Lin  
 6,459,962 B2 10/2002 Ulrich et al.  
 D468,669 S 1/2003 Hopely, Jr.  
 D489,653 S \* 5/2004 Tsai ..... D12/131  
 D491,115 S 6/2004 Taylor  
 D491,494 S 6/2004 Lippert  
 D494,110 S 8/2004 Cheng  
 D494,510 S \* 8/2004 Tsai ..... D12/128  
 7,021,641 B2 \* 4/2006 Wu ..... 280/250.1  
 D521,909 S 5/2006 Gillett et al.  
 D523,788 S 6/2006 Jones et al.  
 D529,844 S 10/2006 Chen et al.  
 D536,187 S 2/2007 Goebert et al.  
 D536,887 S 2/2007 Goebert et al.  
 D540,221 S 4/2007 Cartellone et al.  
 7,204,556 B2 4/2007 Schwerdtner et al.  
 7,229,132 B2 6/2007 Meeker et al.  
 7,273,118 B2 9/2007 Huang  
 D559,741 S 1/2008 Lasher, III  
 D569,769 S \* 5/2008 Chiu et al. .... D12/131  
 7,413,045 B2 8/2008 Tien  
 7,472,959 B1 1/2009 Ratza et al.  
 D585,794 S \* 2/2009 Lin ..... D12/131  
 D589,411 S 3/2009 Brown et al.  
 D590,304 S 4/2009 Kruse  
 D604,208 S \* 11/2009 Perk et al. .... D12/131  
 D608,550 S 1/2010 Scollberger et al.  
 D614,541 S 4/2010 Storm  
 7,694,991 B2 4/2010 Mills et al.

D615,461 S 5/2010 Storm  
 7,828,310 B2 11/2010 Vreeswijk et al.  
 7,866,613 B2 \* 1/2011 Cramer ..... 248/118  
 D632,229 S 2/2011 Kruse  
 D642,499 S 8/2011 Tuckowski et al.  
 8,727,048 B2 \* 5/2014 Jurkiewicz et al. .... 180/65.1  
 2001/0013437 A1 8/2001 Husted et al.  
 2003/0056329 A1 3/2003 Coman et al.  
 2004/0239169 A1 12/2004 DeNichilo  
 2006/0082098 A1 4/2006 Harris  
 2007/0107963 A1 5/2007 Chiu  
 2007/0195081 A1 8/2007 Fischer  
 2008/0087481 A1 4/2008 Gry

OTHER PUBLICATIONS

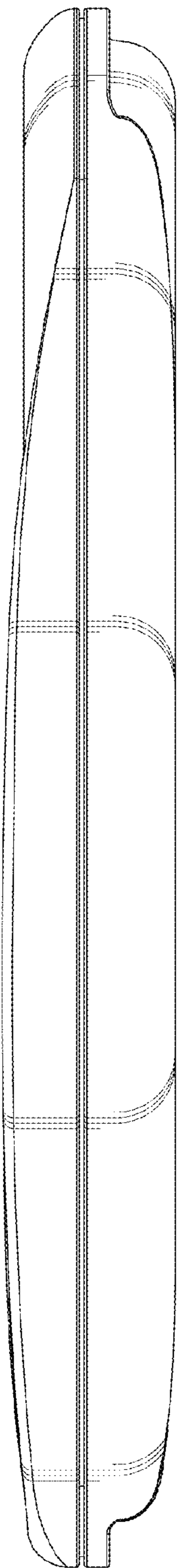
Invacare Corporation, User Manual, FDX Power Wheelchair Base FDX, FDX-CG, FDX-MCG, 96 pages, Rev. A—Apr. 2010, copyright 2010.  
 Invacare Corporation, product catalog, 14 pages, copyright 2004, printed Feb. 18, 2011.  
 Invacare Corporation, At'm (Take Along Chair) brochure, 2 pages, copyright 2009.  
 Invacare Corporation, FDX Front-Wheel Drive Power Wheelchair brochure, 4 pages, copyright 2010.  
 Invacare Corporation, Nutron R51 brochure, 2 pages, copyright 2006.  
 Invacare Corporation, P9000 XDT brochure, 2 pages, copyright 2007.  
 Invacare Corporation, Pronto M51 brochure, 4 pages, copyright 2010.  
 Invacare Corporation, Pronto M51 with Formula CG Seating website printout, 2 pages, printed Feb. 18, 2011.  
 Invacare Corporation, The New TDX Family brochure, 25 pages, copyright 2008.  
 Invacare Corporation, Storm Series brochure, 16 pages, copyright 2010.

\* cited by examiner

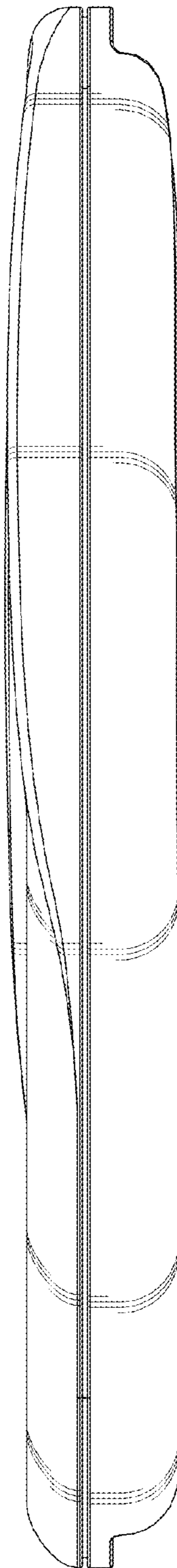


**FIG. 1**

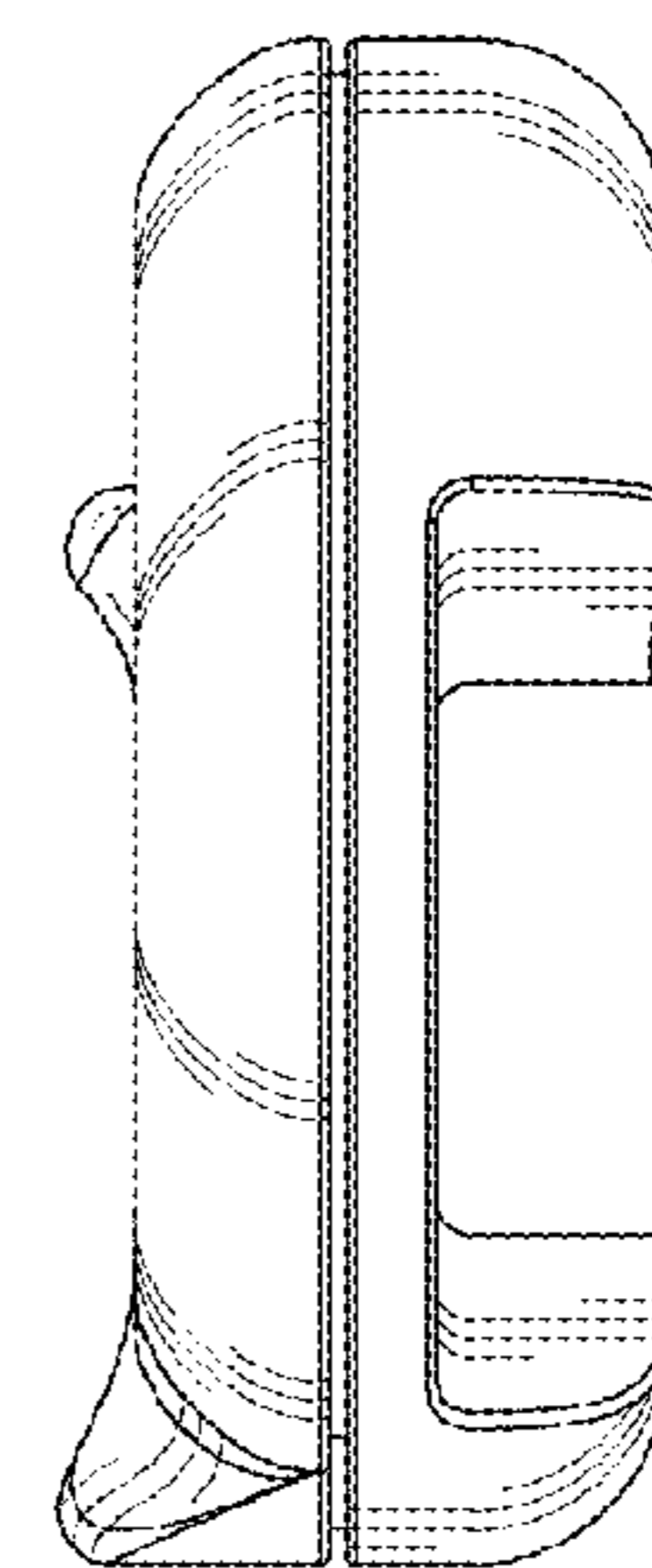




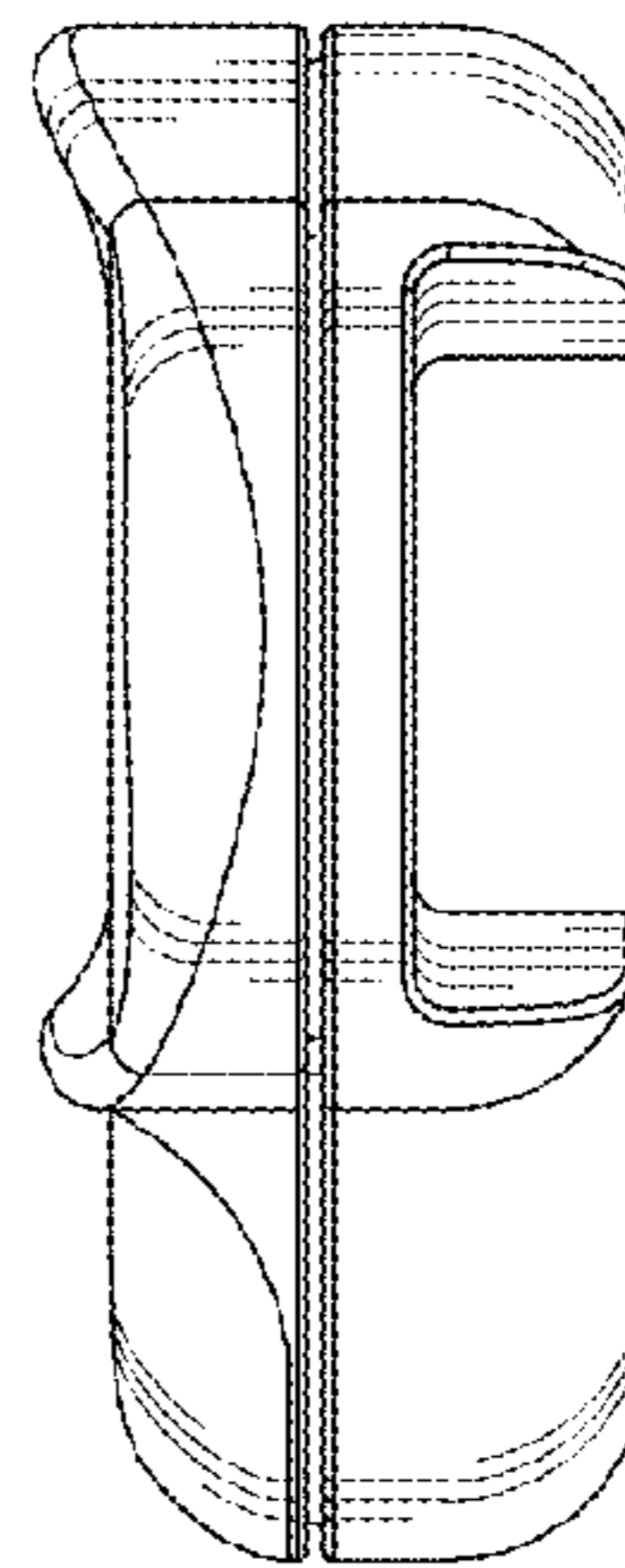
**FIG. 2**



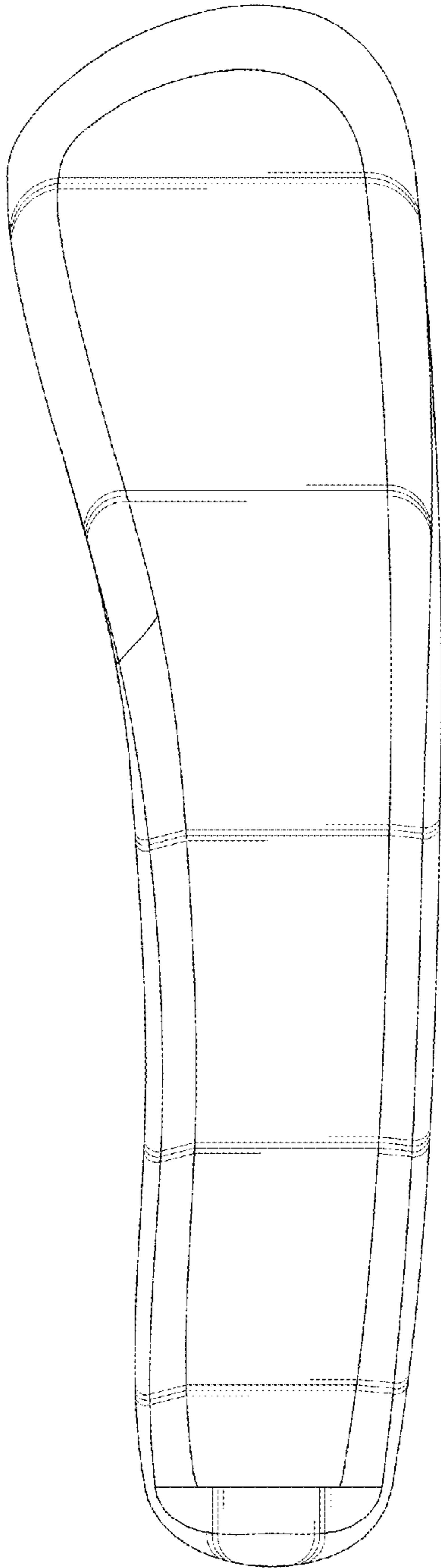
**FIG. 3**



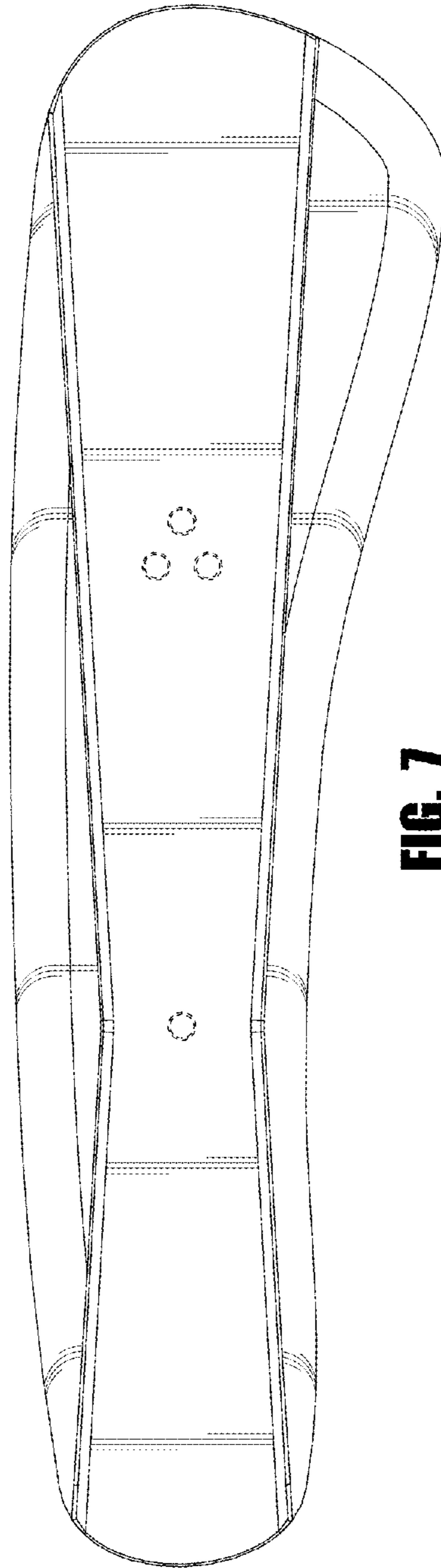
**FIG. 4**



**FIG. 5**



**FIG. 6**



**FIG. 7**