



US00D735620S

(12) **United States Design Patent**
Pape

(10) **Patent No.:** **US D735,620 S**

(45) **Date of Patent:** **** Aug. 4, 2015**

(54) **BALANCE BICYCLE**

(71) Applicant: **Bryan Pape**, Seattle, WA (US)

(72) Inventor: **Bryan Pape**, Seattle, WA (US)

(**) Term: **14 Years**

(21) Appl. No.: **29/500,595**

(22) Filed: **Aug. 26, 2014**

(51) **LOC (10) Cl.** **12-11**

(52) **U.S. Cl.**
USPC **D12/111; D21/432**

(58) **Field of Classification Search**
USPC D12/111, 117; D21/412, 414, 419,
D21/423-428, 431-435; 280/274-280,
280/281.1, 283-288, 288.1-288.4
CPC B62K 3/00; B62K 3/005; B62K 9/00;
B62K 19/00; B62K 19/02; B62K 19/04;
B62K 19/06; B62K 19/16
See application file for complete search history.

(56) **References Cited**

U.S. PATENT DOCUMENTS

D317,142 S *	5/1991	Smith	D12/111
D326,247 S *	5/1992	Hess	D12/111
D369,331 S *	4/1996	Niemeyer	D12/112
D385,513 S *	10/1997	Huang	D12/111
D400,826 S *	11/1998	Accerenzi	D12/111
D410,416 S *	6/1999	Huang	D12/111
6,086,081 A *	7/2000	Huang	280/288.4
D430,823 S *	9/2000	Nakai	D12/111
D449,020 S *	10/2001	Yang	D12/111
D460,025 S *	7/2002	Yu et al.	D12/111
D487,234 S *	3/2004	Chen et al.	D12/111
D500,713 S *	1/2005	Gunter et al.	D12/111
D504,845 S *	5/2005	Coerschulte	D12/111
D512,664 S *	12/2005	Schreier	D12/111
D537,758 S *	3/2007	Grepper	D12/111
D558,647 S *	1/2008	Seckel et al.	D12/111
D567,149 S *	4/2008	Grepper	D12/111
D614,538 S *	4/2010	Rochon	D12/111

D617,687 S *	6/2010	Brady et al.	D12/111
D629,049 S *	12/2010	McFarland	D21/419
D659,597 S *	5/2012	Chen	D12/111
D668,586 S *	10/2012	Golias et al.	D12/111
D671,173 S *	11/2012	Tompkin	D21/432
8,414,007 B2 *	4/2013	Chen	280/278
D695,847 S *	12/2013	Liu	D21/432
D696,983 S *	1/2014	Bisges et al.	D12/111

OTHER PUBLICATIONS

“Yedoo TooToo—Running Bike.” Yedoo., Feb. 18, 2011 [online], [retrieved on Apr. 1, 2015]. Retrieved from the Internet <URL: file:///C:/Users/dly/Documents/e-Red%20Folder/29500595/NPL_Yedoo%20TOOTOO%20Manual.pdf>.*
“Yedoo Balance Bikes—New lower Map.” Balance Bikes & Reviews., Jan. 16, 2014 [online], [retrieved on Apr. 1, 2015]. Retrieved from the Internet <URL: http://balancebikesandreviews.com/yedoo-balance-bikes-new-lower-map/>.*

(Continued)

Primary Examiner — Philip S Hyder

Assistant Examiner — Darlington Ly

(74) *Attorney, Agent, or Firm* — QuickPatents; Kevin Prince

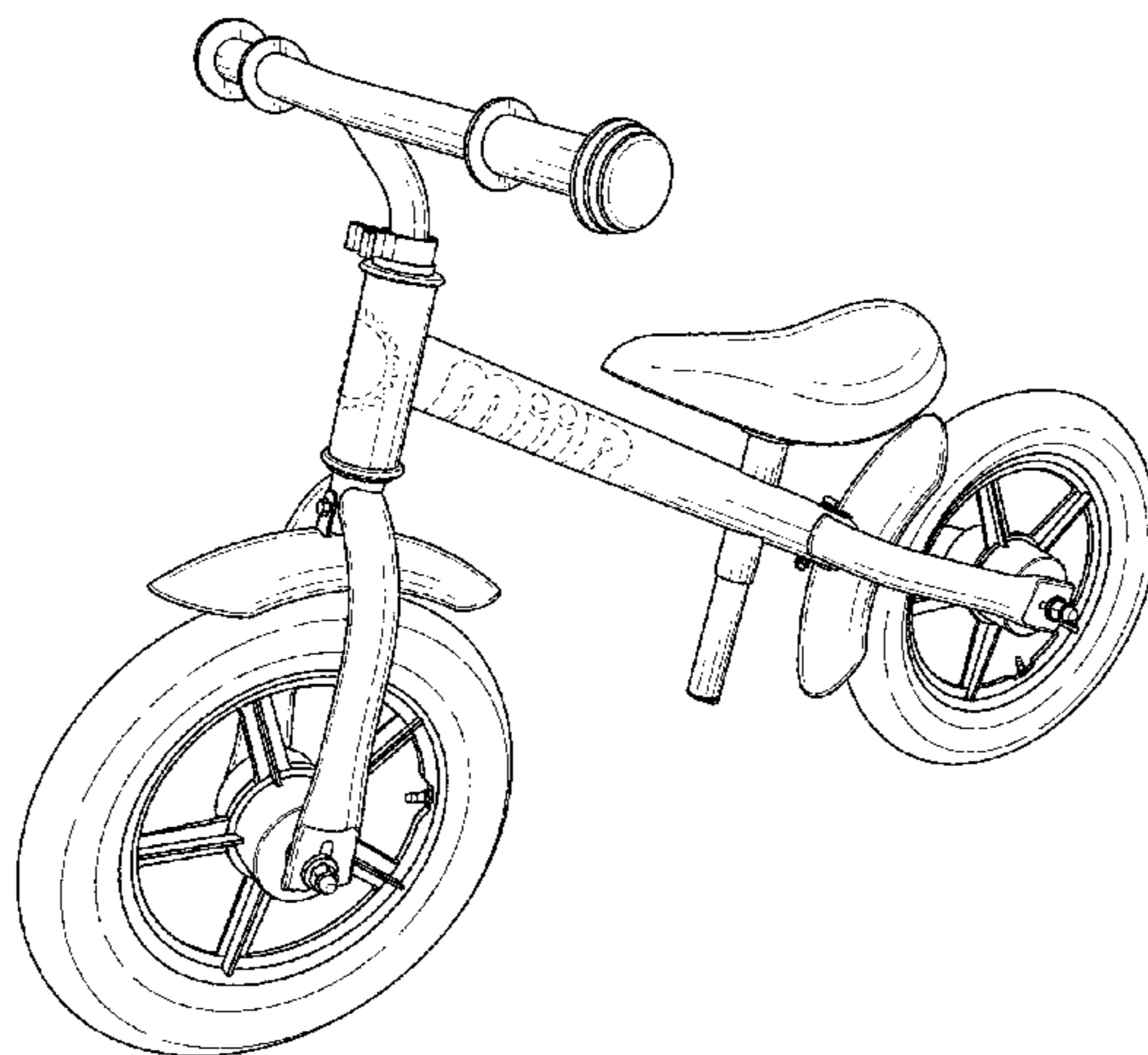
(57) **CLAIM**

I claim the ornamental design for a balance bicycle, as shown and described.

DESCRIPTION

FIG. 1 is a perspective view of a balance bicycle, showing my new design;
FIG. 2 is a front elevational view thereof;
FIG. 3 is a rear elevational view thereof;
FIG. 4 is a left-side elevational view thereof;
FIG. 5 is a right-side elevational view thereof;
FIG. 6 is a top plan view thereof; and,
FIG. 7 is a bottom plan view thereof.
The broken lines showing a logo in the figures depict environmental matter and form no part of the claimed design.

1 Claim, 4 Drawing Sheets



(56)

References Cited

OTHER PUBLICATIONS

Goizueta, Rafael. "Kundo—Cool Kids Mobility." Kundo., May 25, 2014 [online], [retrieved on Apr. 1, 2015]. Retrieved from the Internet <URL: <http://www.kundobikes.com/ab.php>>.*

"GlideBikes Balance Bikes Review." Balance Bikes & Reviews., Feb. 7, 2015 [online], [retrieved on Apr. 1, 2015]. Retrieved from the Internet <URL: <http://balancebikesandreviews.com/glidebikes-balance-bikes-review/>>.*

"Children's Balance Bike," http://www.amazon.com/Vilano-Pedal-Balance-Bicycle-Children/dp/B00A9XXOSS/ref=sr_1_5?ie=UTF8&qid=1408654663&sr=8-5&keywords=balance+bikes.

* cited by examiner

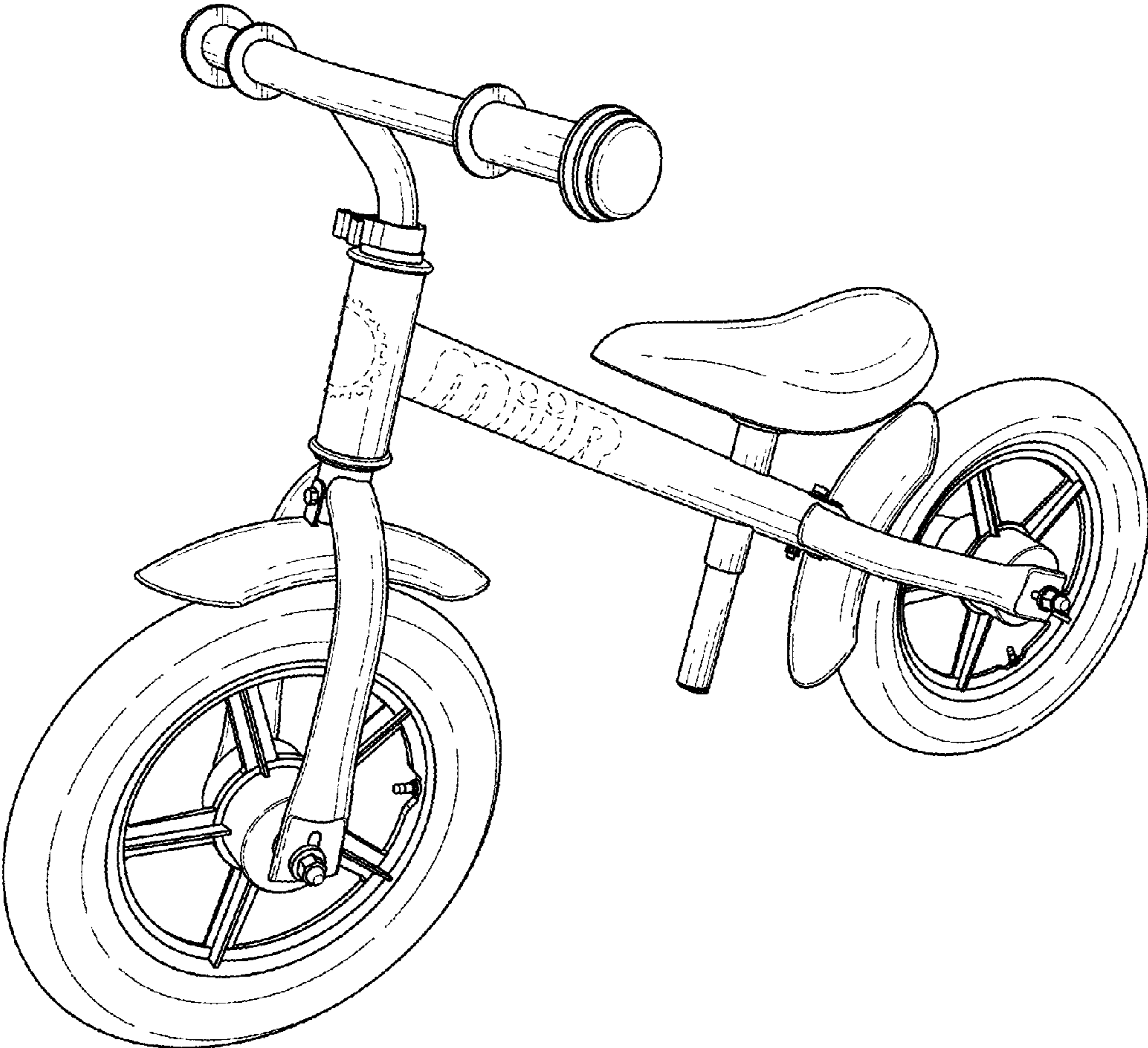


FIG. 1

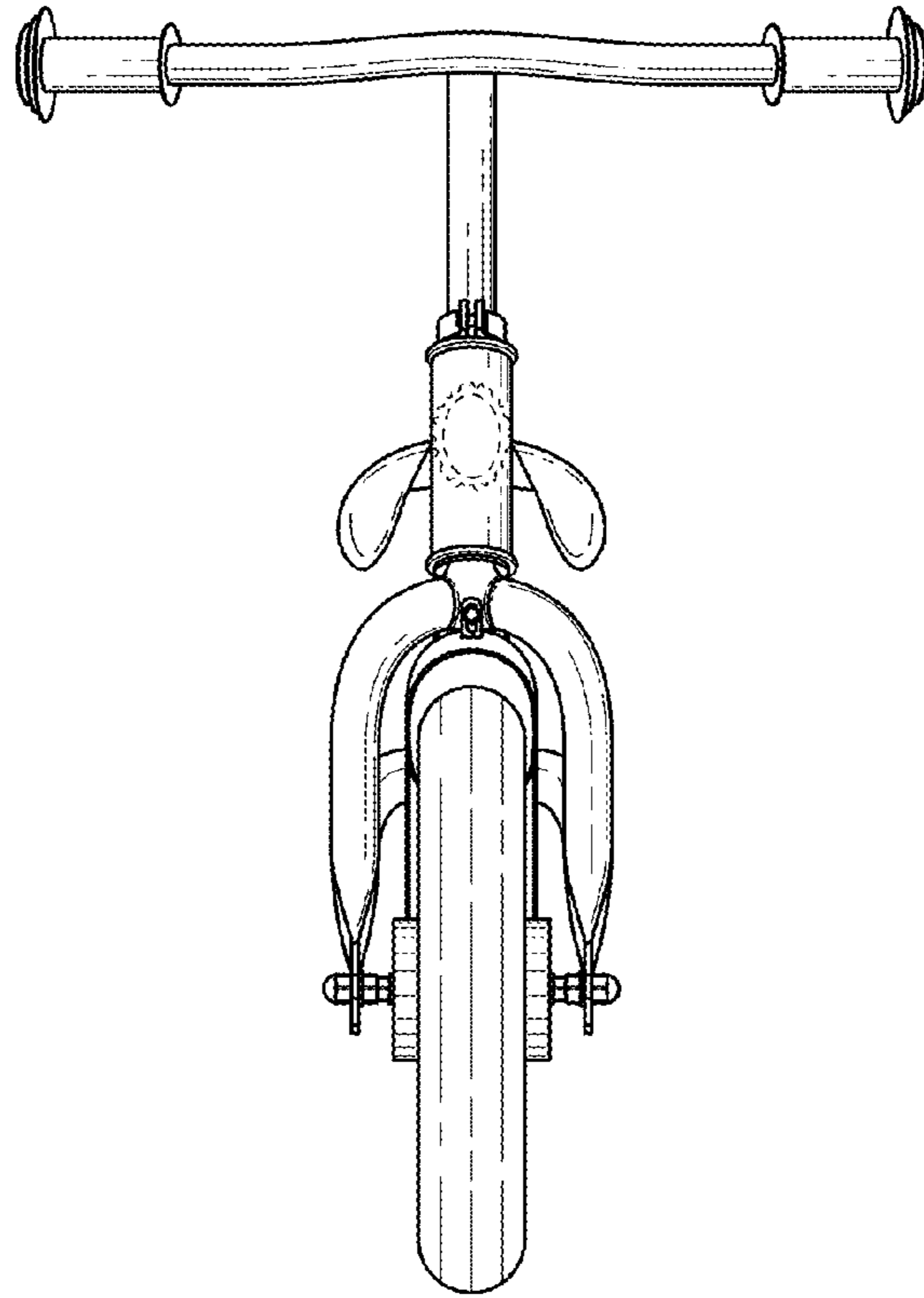


FIG. 2

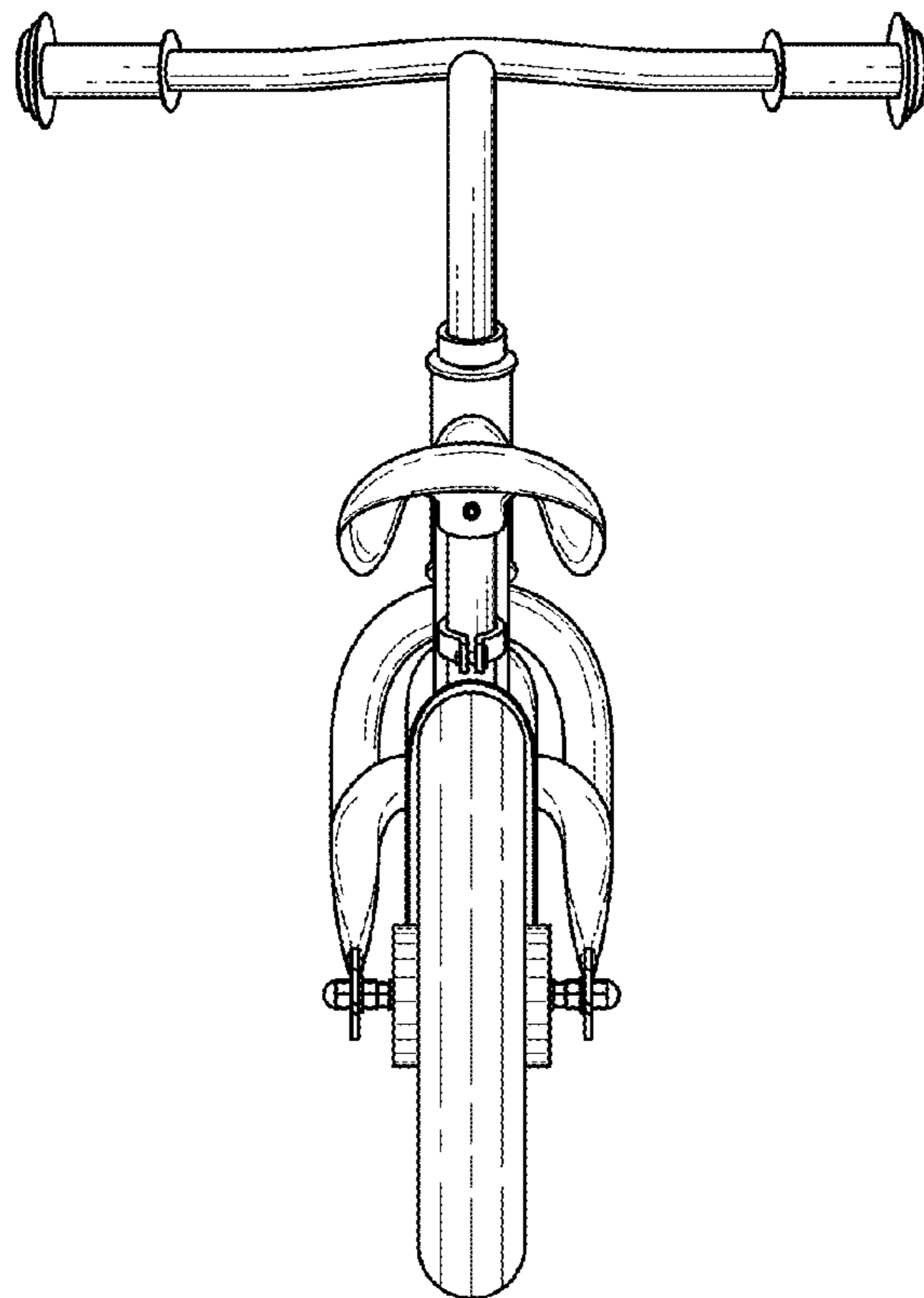


FIG. 3

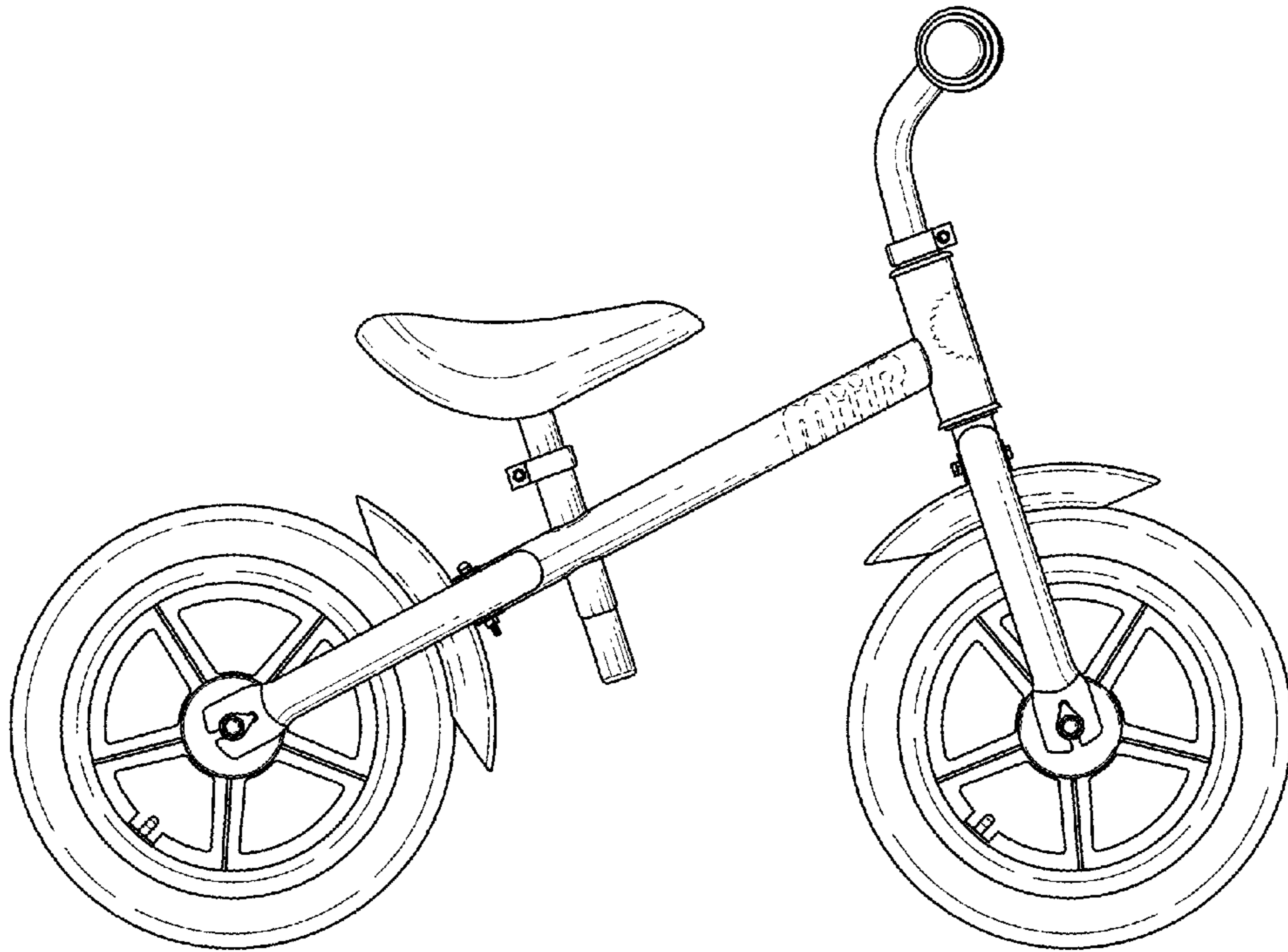


FIG. 4

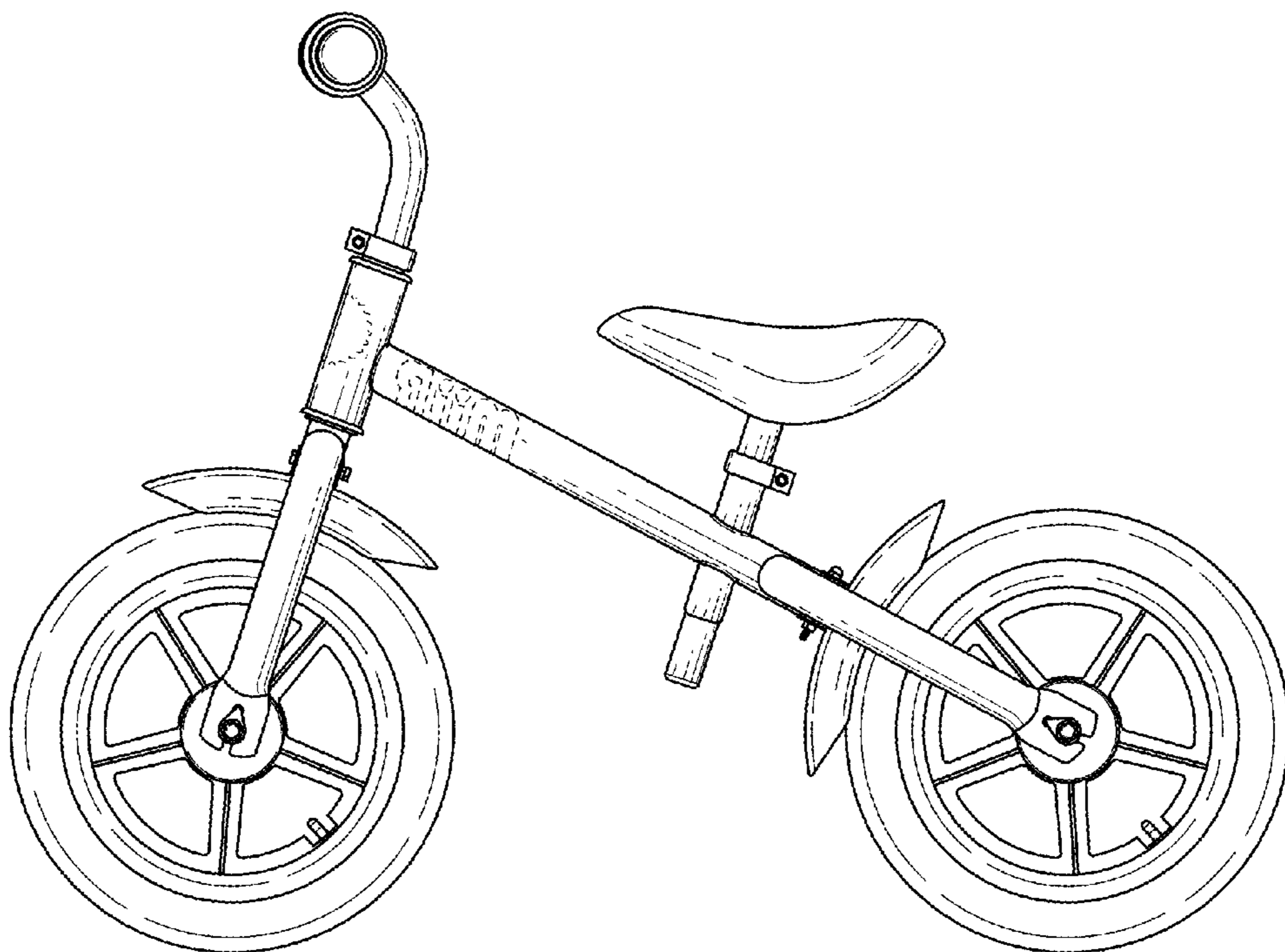


FIG. 5

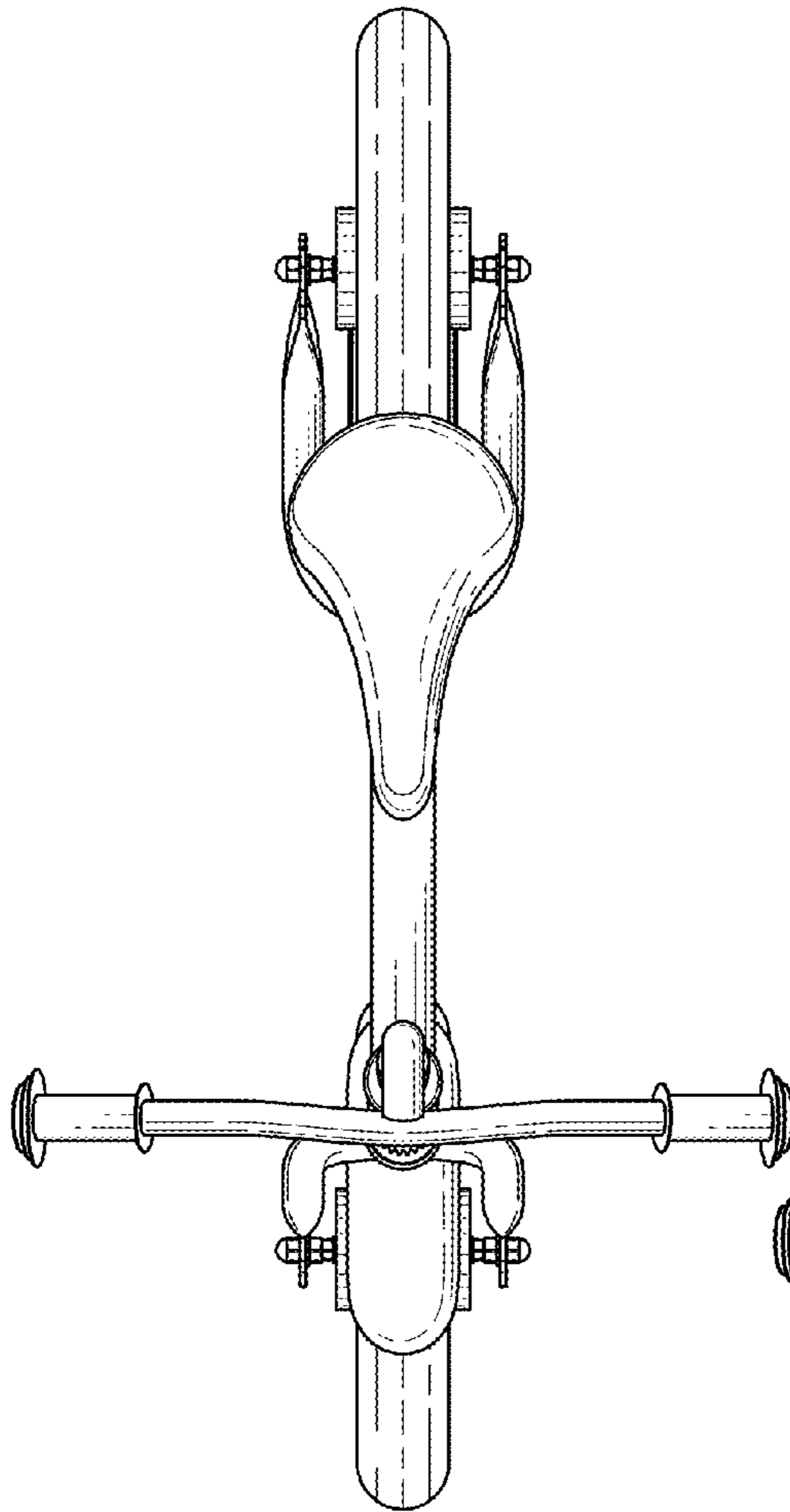


FIG. 6

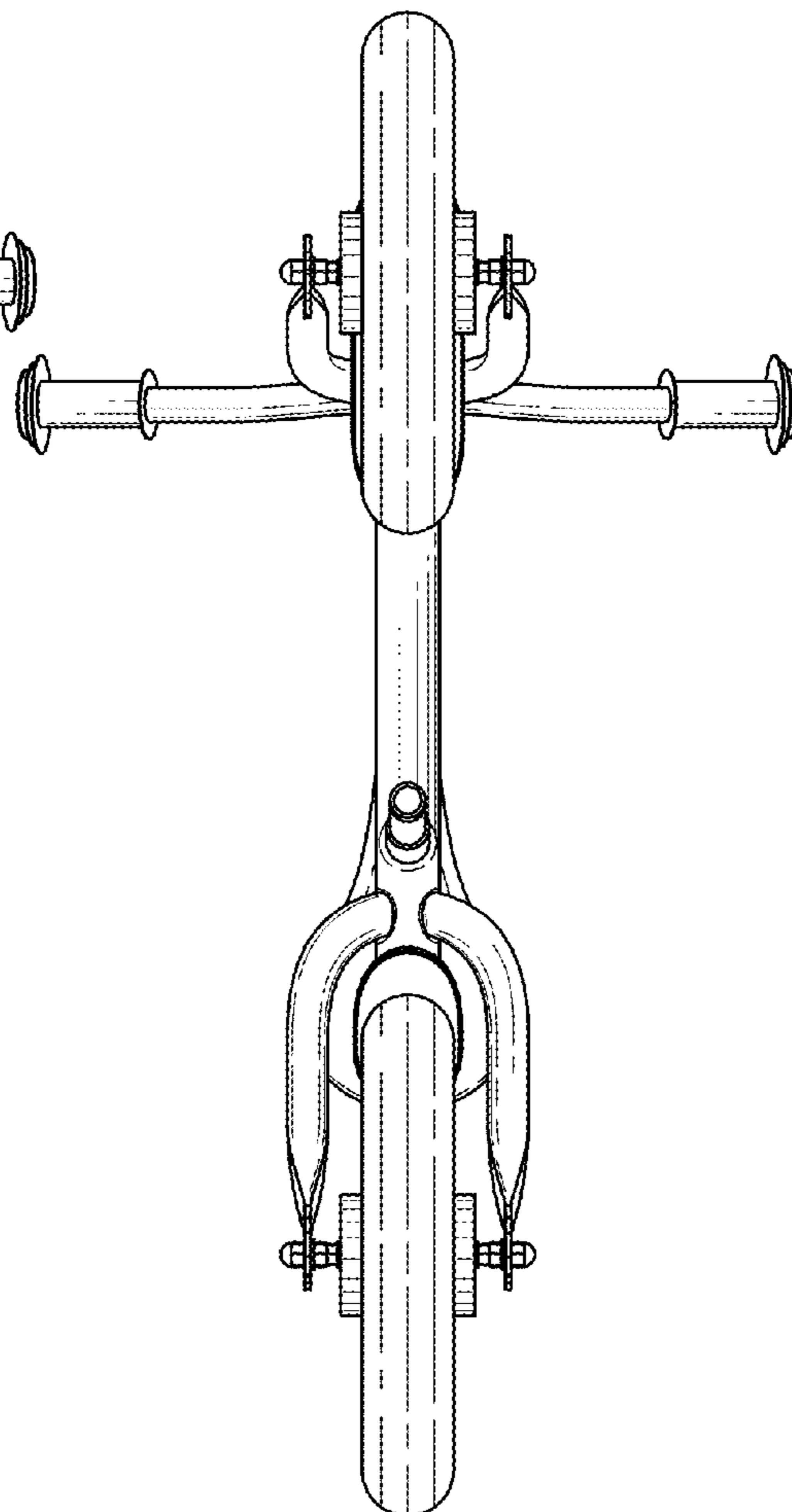


FIG. 7