



US00D735615S

(12) **United States Design Patent**
Itaya et al.

(10) **Patent No.:** **US D735,615 S**
(45) **Date of Patent:** **** Aug. 4, 2015**

(54) **MULTI-PURPOSE ALL-TERRAIN VEHICLE
AND/OR REPLICA THEREOF**

(71) Applicant: **HONDA MOTOR CO., LTD.**, Tokyo
(JP)

(72) Inventors: **Asao Itaya**, Irvine, CA (US); **Erik
Dunshee**, Torrance, CA (US); **Jessica
Vera**, Long Beach, CA (US); **Takao
Mikami**, Rancho Palos Verdes, CA (US)

(73) Assignee: **HONDA MOTOR CO., LTD.**, Tokyo
(JP)

(**) Term: **14 Years**

(21) Appl. No.: **29/460,127**

(22) Filed: **Jul. 8, 2013**

(51) **LOC (10) Cl.** **12-11**

(52) **U.S. Cl.**

USPC **D12/107**

(58) **Field of Classification Search**

USPC D12/3, 4, 5, 14, 85, 86, 87, 107, 110;
280/183-185, DIG. 5, 1, 16, 82, 88, 90,
280/14; 180/233, 908

CPC A01B 59/02; A61G 3/08; B62B 5/04;
B62B 13/10; B62B 19/04; B62B 2202/404;
B62C 9/00; B62D 7/22; B62K 5/01; B60K
23/0808

See application file for complete search history.

(56) **References Cited**

U.S. PATENT DOCUMENTS

D374,416 S * 10/1996 Miyamoto et al. D12/107
D513,718 S * 1/2006 Itaya et al. D12/107
D520,914 S * 5/2006 Luh D12/107
D522,924 S * 6/2006 Yokoyama et al. D12/107
D539,705 S * 4/2007 Ichikawa et al. D12/107

D546,246 S * 7/2007 Crepeau et al. D12/107
D585,792 S * 2/2009 Chao et al. D12/107
7,743,864 B2 * 6/2010 Tweet 180/89.1
D620,399 S * 7/2010 Wu et al. D12/107
D628,520 S * 12/2010 Lin D12/107
D643,781 S * 8/2011 Nagao et al. D12/107
D680,468 S * 4/2013 Li et al. D12/107
2008/0277184 A1 * 11/2008 Marleau 180/312

OTHER PUBLICATIONS

“Suzuki Unveils 2011 KingQuad 500 AXi and 2010 KingQuad 450 AXi.” ATV.com., May 10, 2010 [online], [retrieved on Oct. 31, 2014]. Retrieved from the Internet <URL: <http://www.atv.com/manufacturers/suzuki/suzuki-unveils-2011-kingquad-500-axi-and-2010-kingquad-450-axi-1656.html>>.*

(Continued)

Primary Examiner — Philip S Hyder

Assistant Examiner — Darlington Ly

(74) *Attorney, Agent, or Firm* — Westerman, Hattori,
Daniels & Adrian, LLP

(57) **CLAIM**

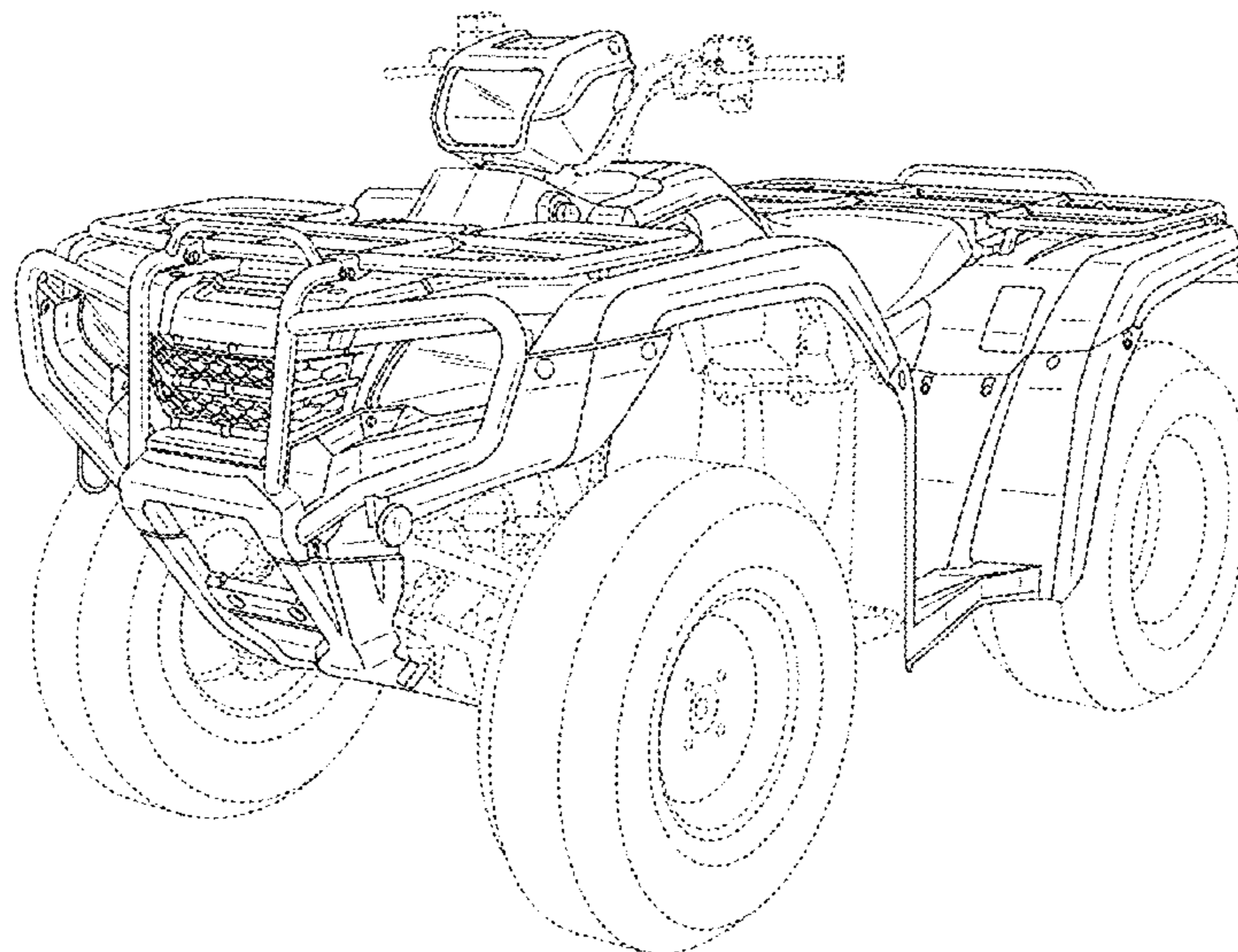
The ornamental design for a multi-purpose all terrain vehicle and/or replica thereof, as shown and described.

DESCRIPTION

FIG. 1 is a left front perspective view of a multi-purpose all terrain vehicle and/or replica thereof of our new design; FIG. 2 is a left rear perspective view thereof; FIG. 3 is a front perspective view thereof; FIG. 4 is a rear perspective view thereof; FIG. 5 is a left side elevational view thereof; FIG. 6 is a right side elevational view thereof; and, FIG. 7 is a top plan view thereof.

The portions in broken lines shown in the drawings illustrate portions of the multi-purpose all terrain vehicle and/or replica thereof that form no part of the claimed design.

1 Claim, 7 Drawing Sheets



(56)

References Cited

OTHER PUBLICATIONS

Hilderbrand, J.C. "2010 Honda Rancher AT ATV Review." 4 Wheel Dirt., May 11, 2010 [online], [retrieved on Oct. 31, 2014]. Retrieved from the Internet <URL: <http://www.4wheeldirt.com/2010-honda-rancher-atv-review>>.*

Hilderbrand, J.C. "2012 Honda Foreman ES EPS First Look." Motorcycle USA., Feb. 22, 2011 [online], [retrieved on Oct. 31, 2014].

Retrieved from the Internet <URL: <http://www.motorcycle-usa.com/621/9271/Motorcycle-Article/2012-Honda-Foreman-ES-EPS-First-Look.aspx>>.*

Fargher, Seth. "2013 Kymco MXU 700i Review." ATV.com., Jul. 4, 2012 [online], [retrieved on Oct. 31, 2014]. Retrieved from the Internet <URL: <http://www.atv.com/manufacturers/kymco/2013-kymco-mxu-700i-review-2088.html>>.*

* cited by examiner

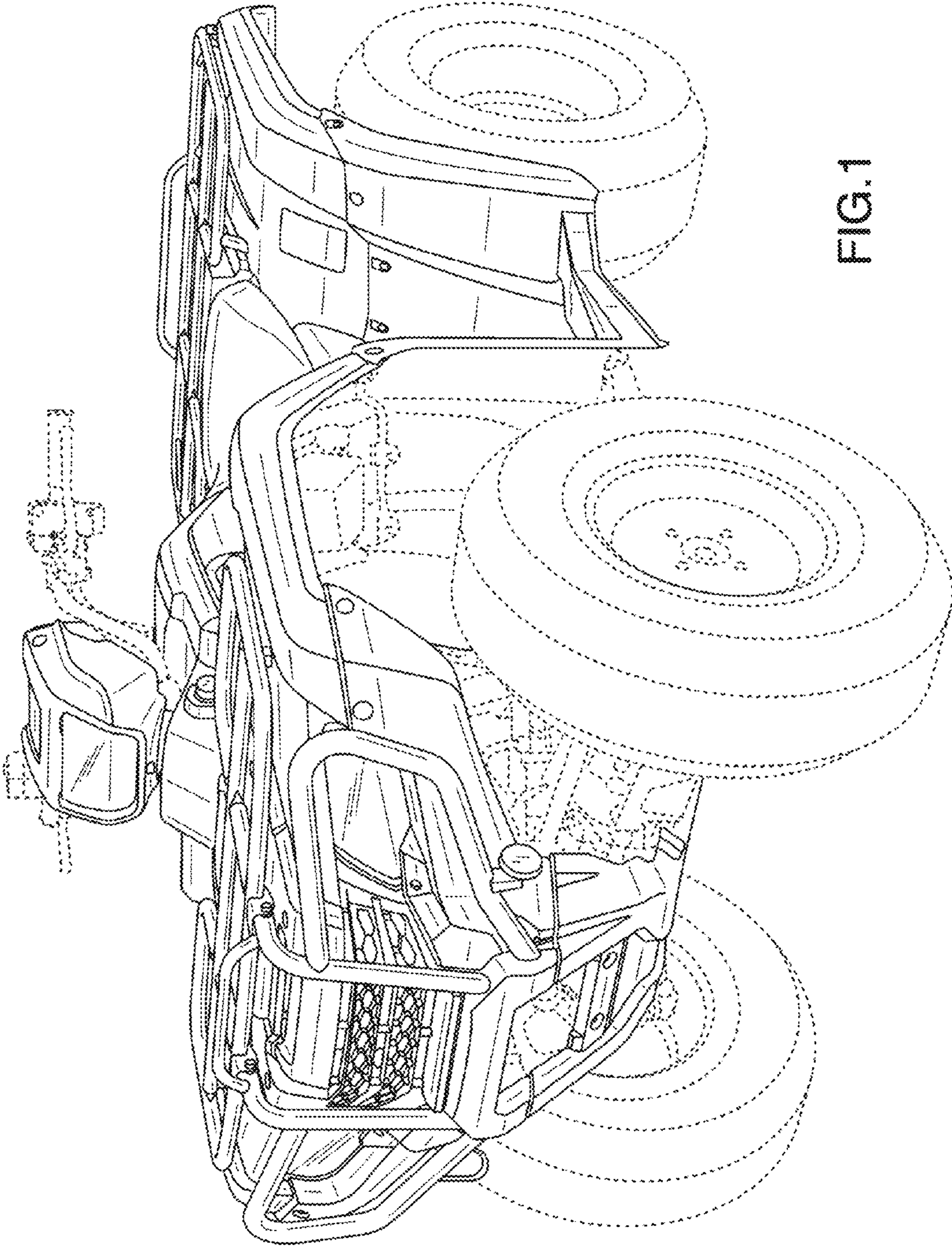


FIG.1

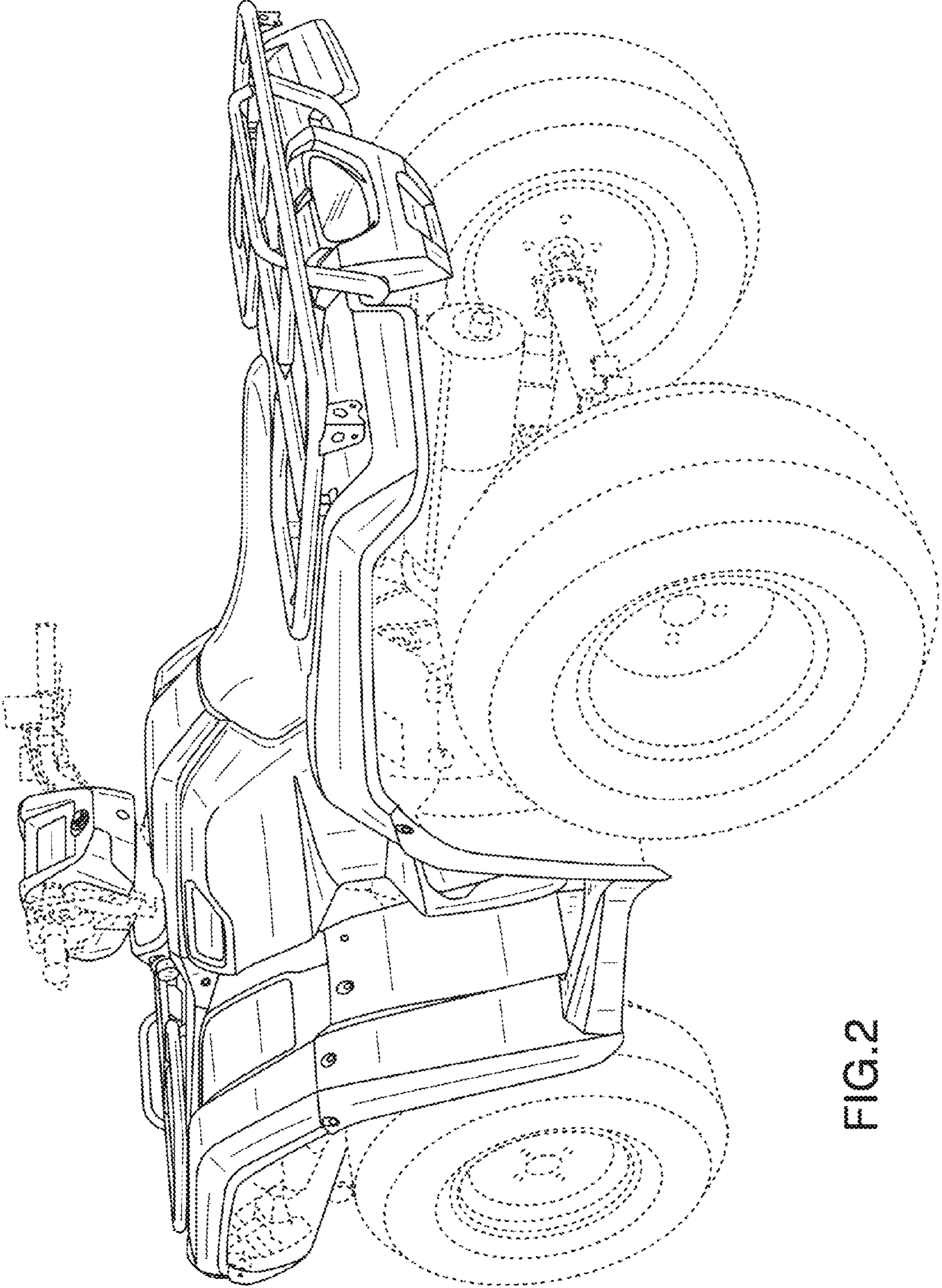


FIG.2

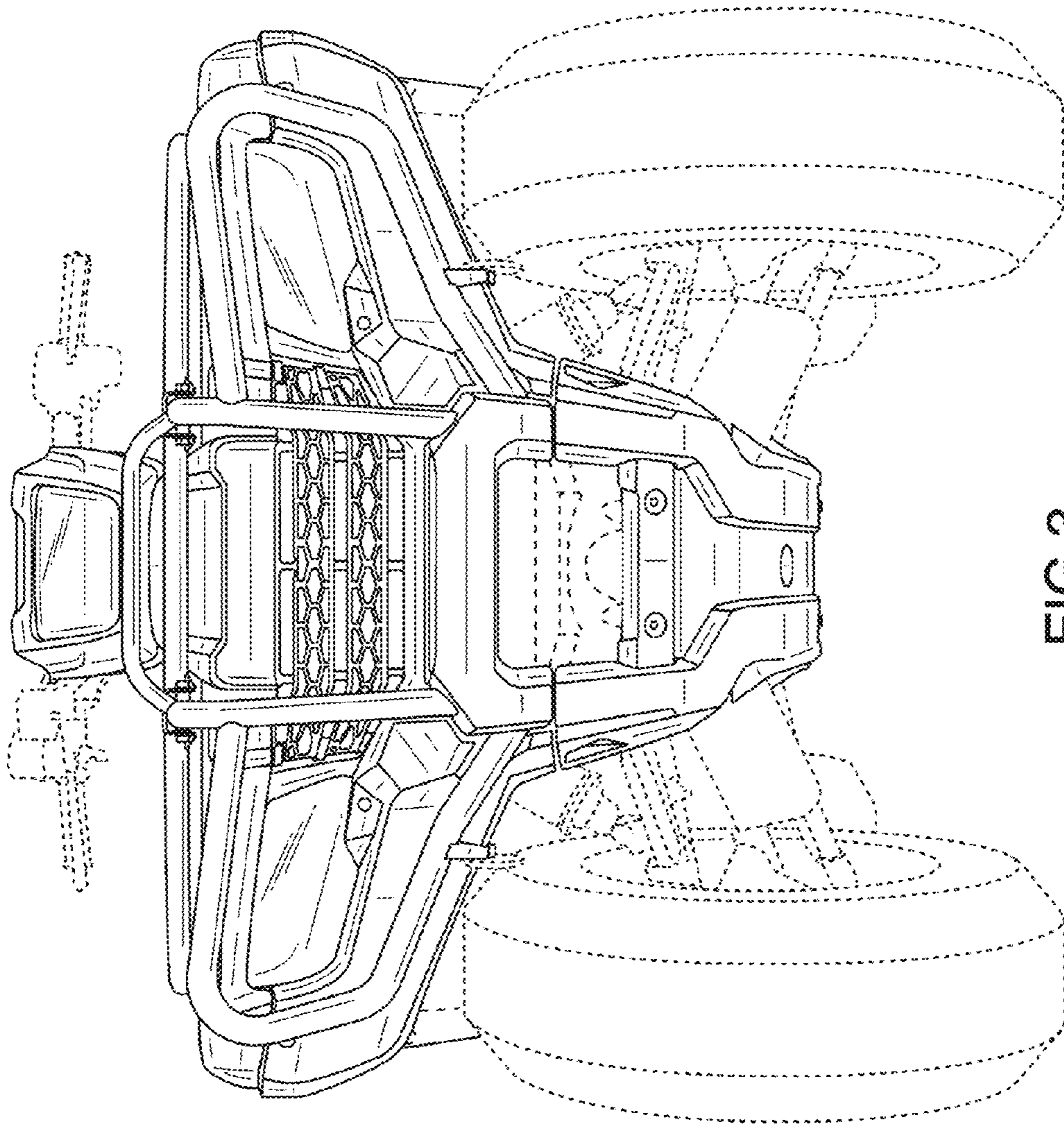


FIG.3

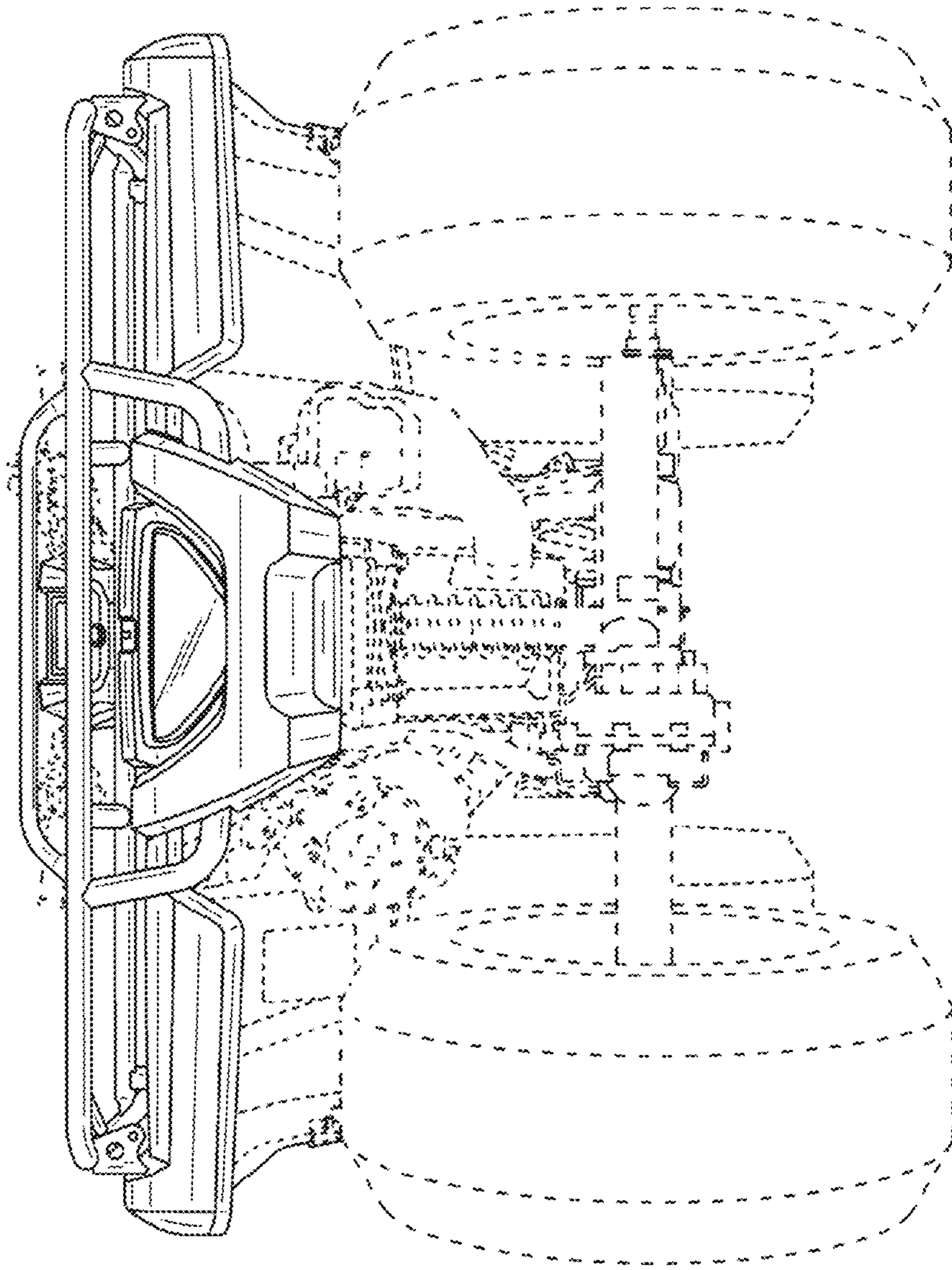


FIG.4

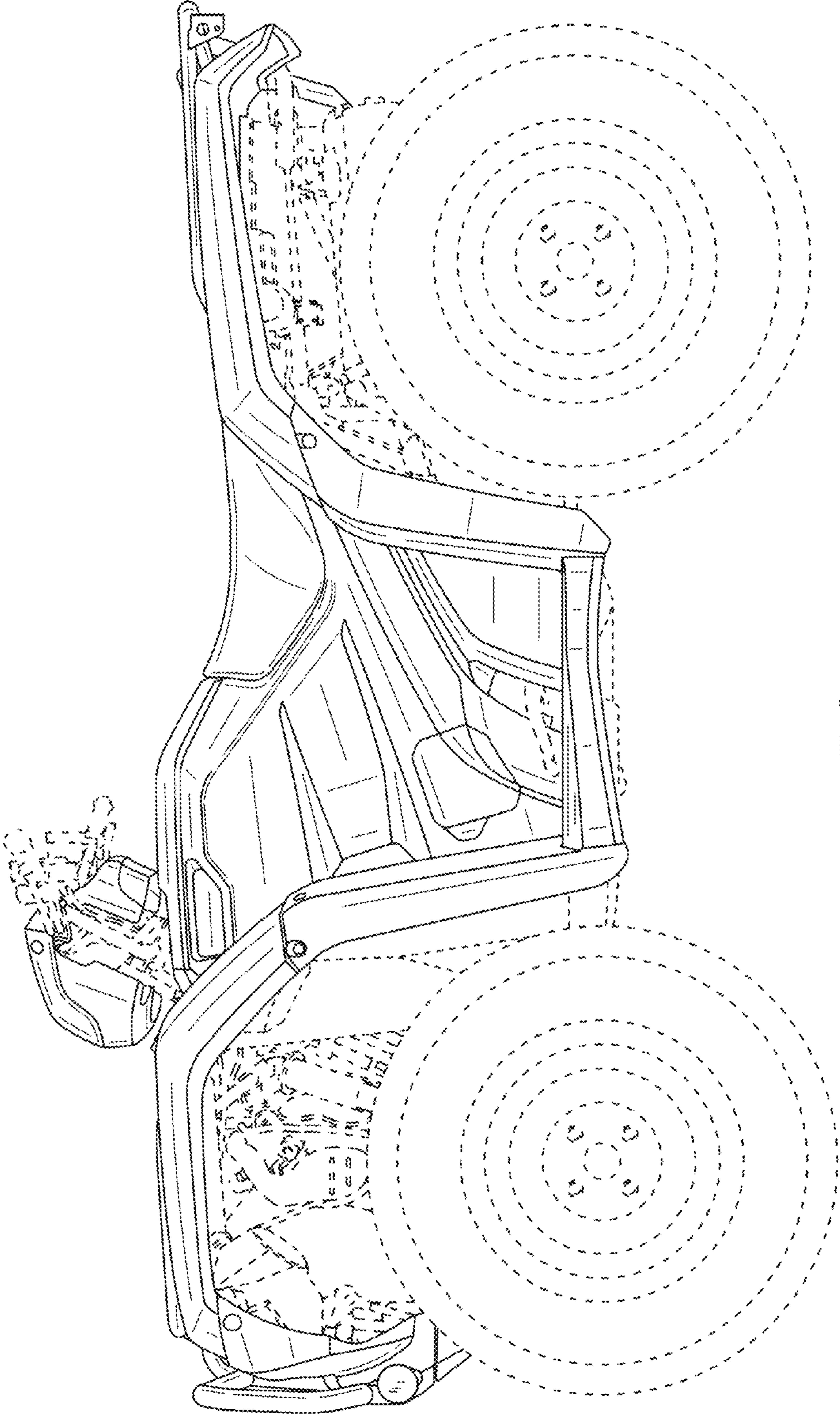


FIG.5

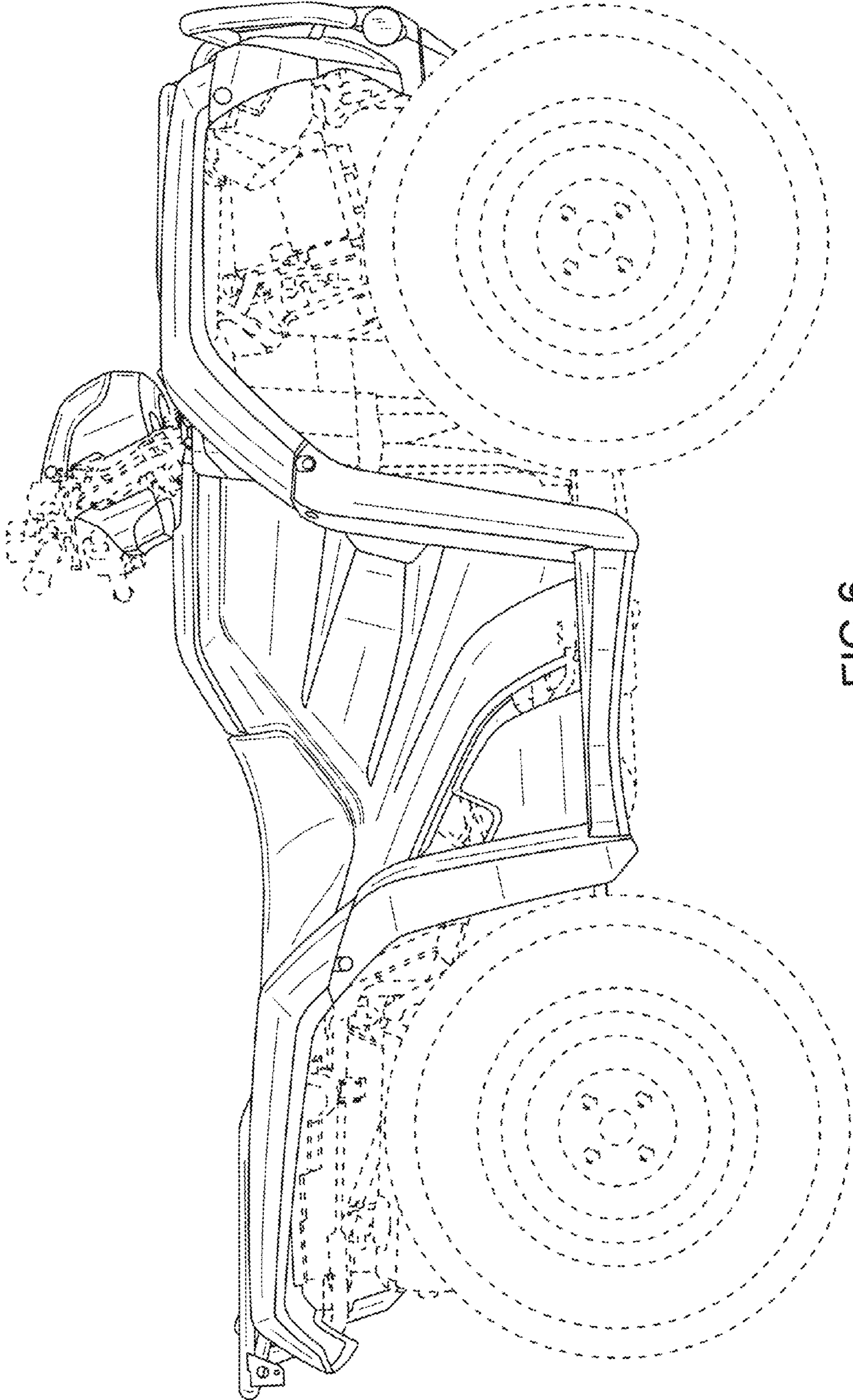


FIG.6

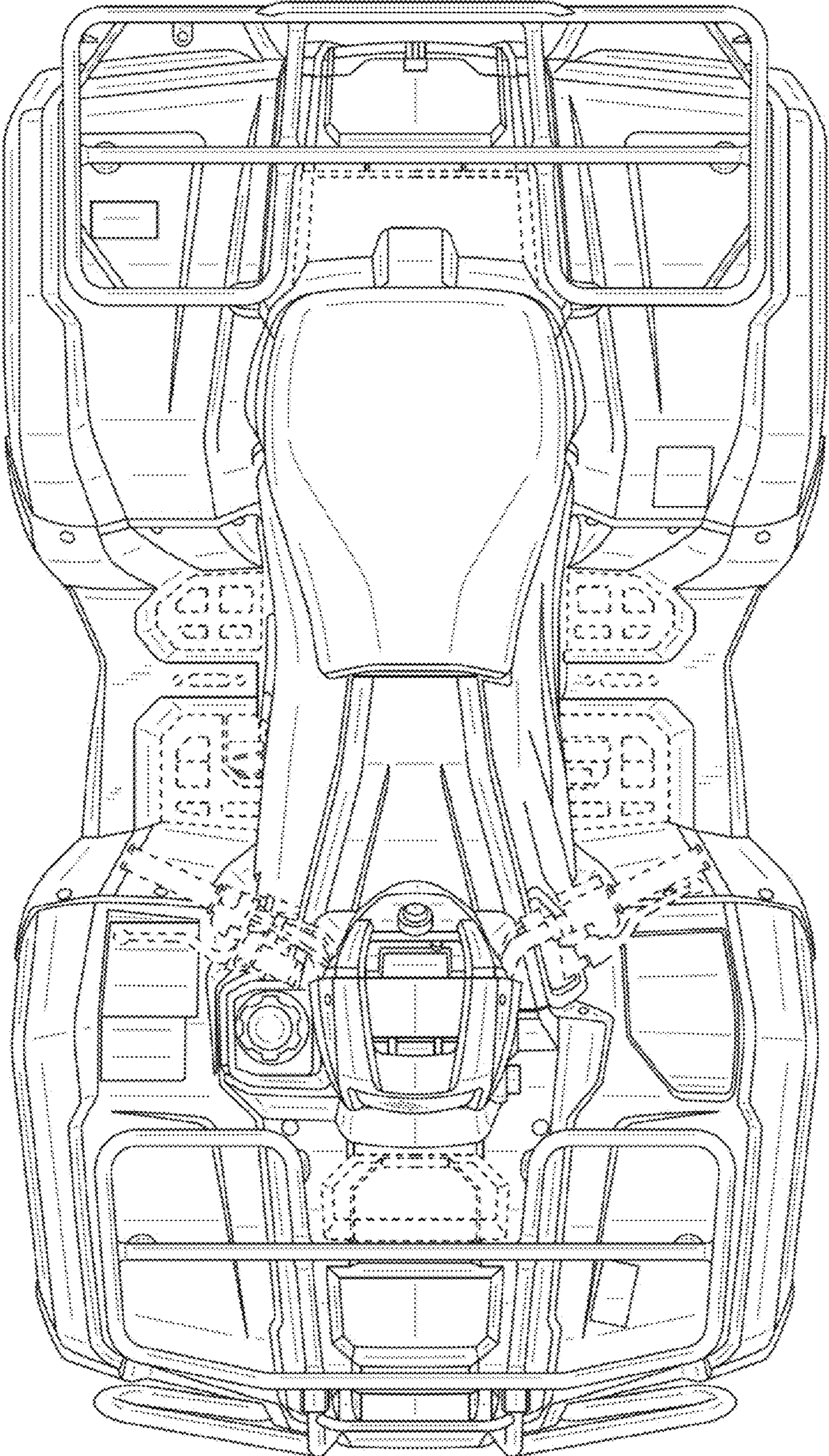


FIG.7