



US00D735612S

(12) **United States Design Patent**  
**Kadiadze**

(10) **Patent No.:** **US D735,612 S**

(45) **Date of Patent:** **\*\* Aug. 4, 2015**

(54) **AUTOMOBILE BODY**

(71) Applicant: **Desmond Kadiadze**, Alexandria, VA  
(US)

(72) Inventor: **Desmond Kadiadze**, Alexandria, VA  
(US)

(\*\*) Term: **14 Years**

(21) Appl. No.: **29/498,371**

(22) Filed: **Aug. 2, 2014**

(51) **LOC (10) Cl.** ..... **12-08**

(52) **U.S. Cl.**  
USPC ..... **D12/92**

(58) **Field of Classification Search**

USPC ..... D12/86, 90-92, 82, 83, 197, 114, 196,  
D12/163; D21/421, 433, 434, 424,  
D21/533-535, 540, 541; 296/181.1, 181.5  
CPC ..... B62D 35/00; B62D 25/00; B62D 25/06;  
B62D 25/08; B62D 33/00

See application file for complete search history.

(56) **References Cited**

**U.S. PATENT DOCUMENTS**

D78,732 S *	6/1929	Darling et al.	.....	D12/83
D276,173 S *	10/1984	Allen et al.	.....	D21/540
D549,615 S *	8/2007	Brooks et al.	.....	D12/92
D669,819 S *	10/2012	Hall et al.	.....	D12/92
D671,036 S *	11/2012	Inatomi et al.	.....	D12/92
D686,535 S *	7/2013	Van Braeckel	.....	D12/92
D717,195 S *	11/2014	Taylor-Cattapan	.....	D11/17
D717,212 S *	11/2014	Thurner et al.	.....	D12/92

\* cited by examiner

*Primary Examiner* — Melody N Brown

(57) **CLAIM**

The ornamental design for an automobile body, as shown and described.

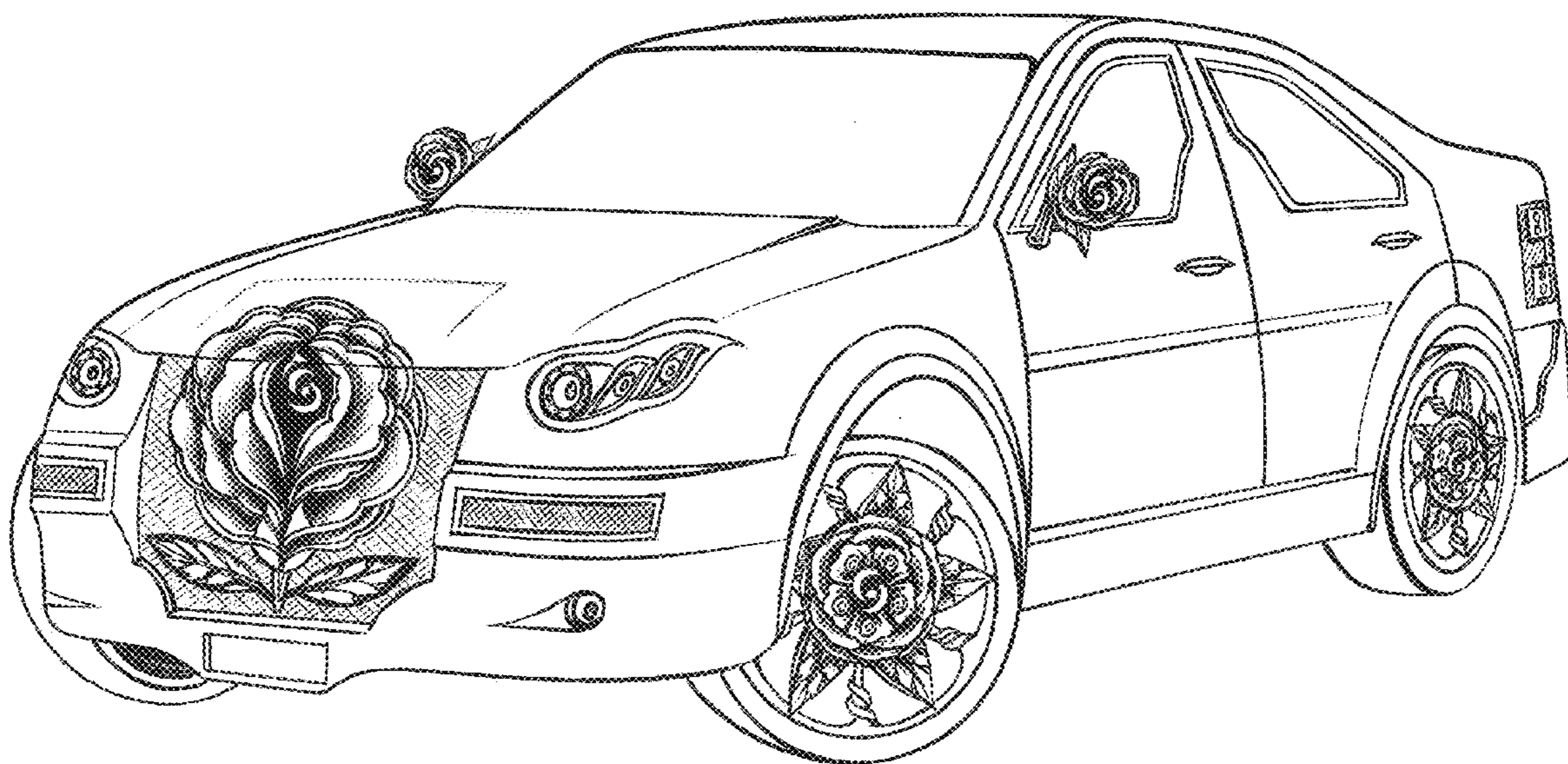
**DESCRIPTION**

FIG. 1 is a front perspective of an automobile body showing my new design;  
FIG. 2 is a rear perspective view thereof;  
FIG. 3 is a front elevational view thereof;  
FIG. 4 is a rear elevational view thereof;  
FIG. 5 is a left side elevational view thereof, the right side being a mirror image of that side shown; and,  
FIG. 6 is a top plan view thereof.

These vehicles are designed with a rear light that projects the artistically composed flower when the vehicle is on. The light gets brighter when the breaks are applied and when the vehicle is put in a reverse gear. The flower design could be created either in the light housing or in the lens of the light. The light also has inner chambers that allows for the separation of the petal lights from the sepal lights of the flower as they would differ in color a lot of the times. The sepal lights could be set up as left and right turn signals (indicators) These vehicles also have front grilles that projects a version of the artistically composed flower. The entire hood (bonnet) or just the space of shape around the part of the flower on the hood edge could be treated in the same color as the space around the flower part on the grille.

The flower as projected on the grille could be given ornamental outlines to the edges of the petals and sepals for extra beautification.

**1 Claim, 6 Drawing Sheets**





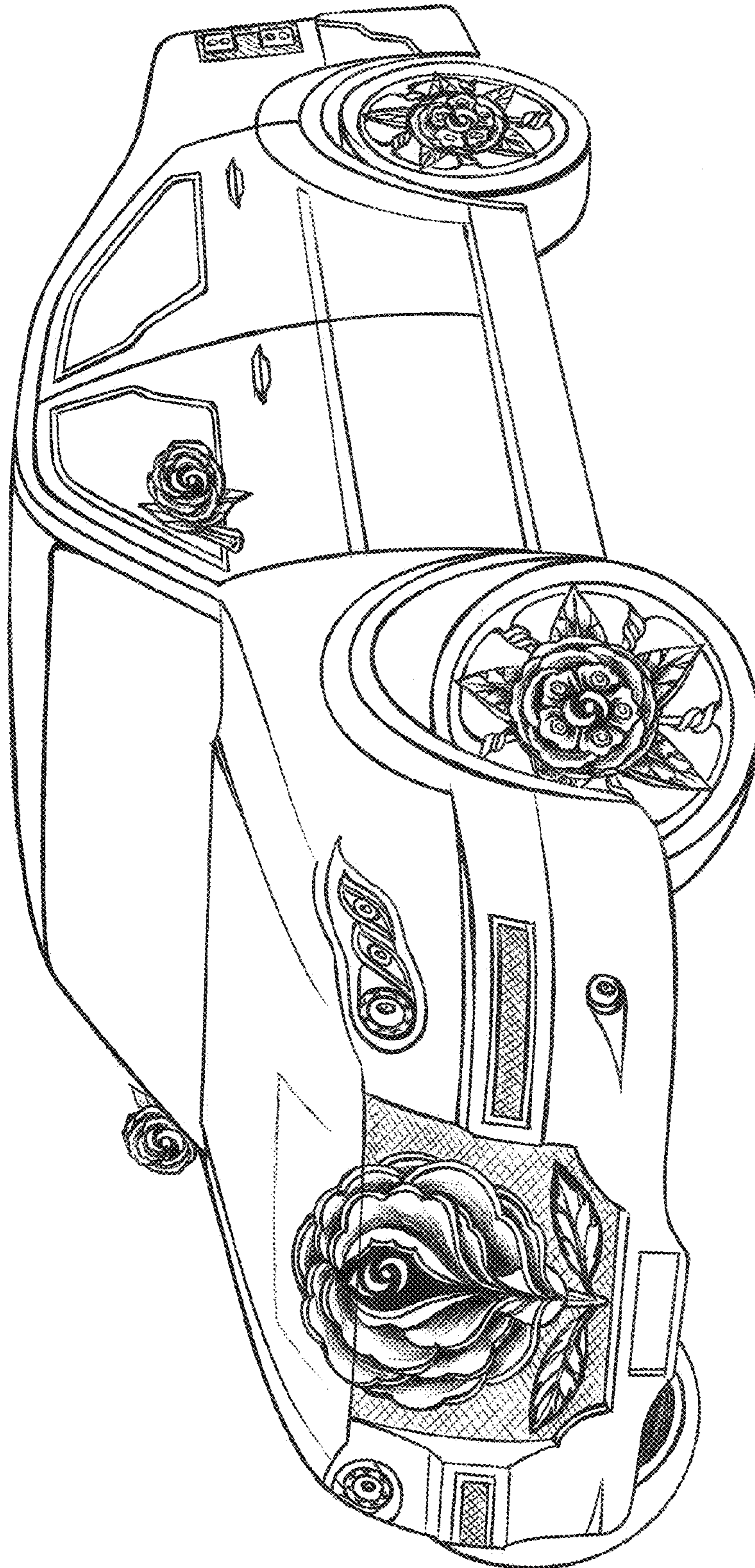


FIG. 1



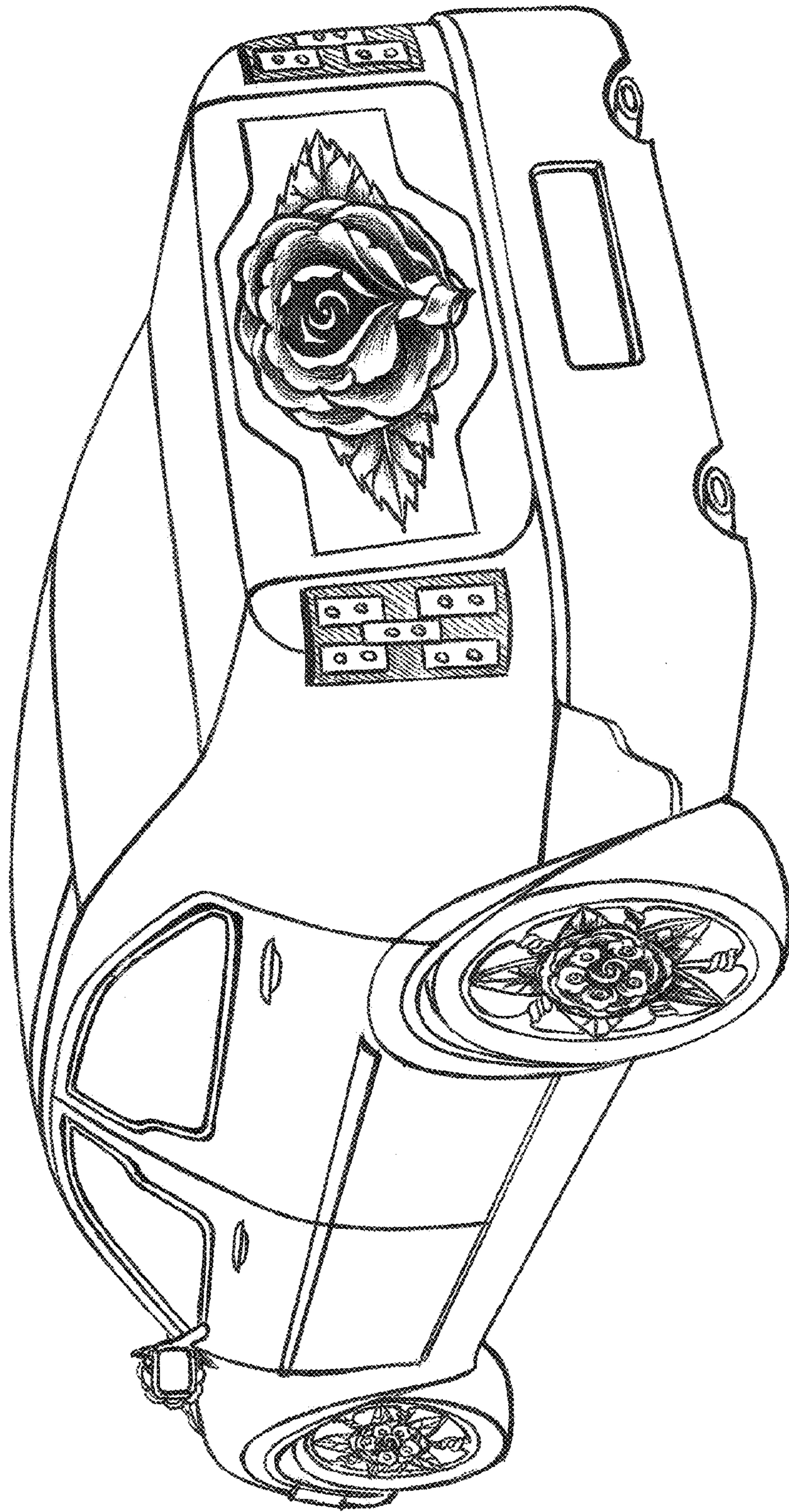


FIG. 2

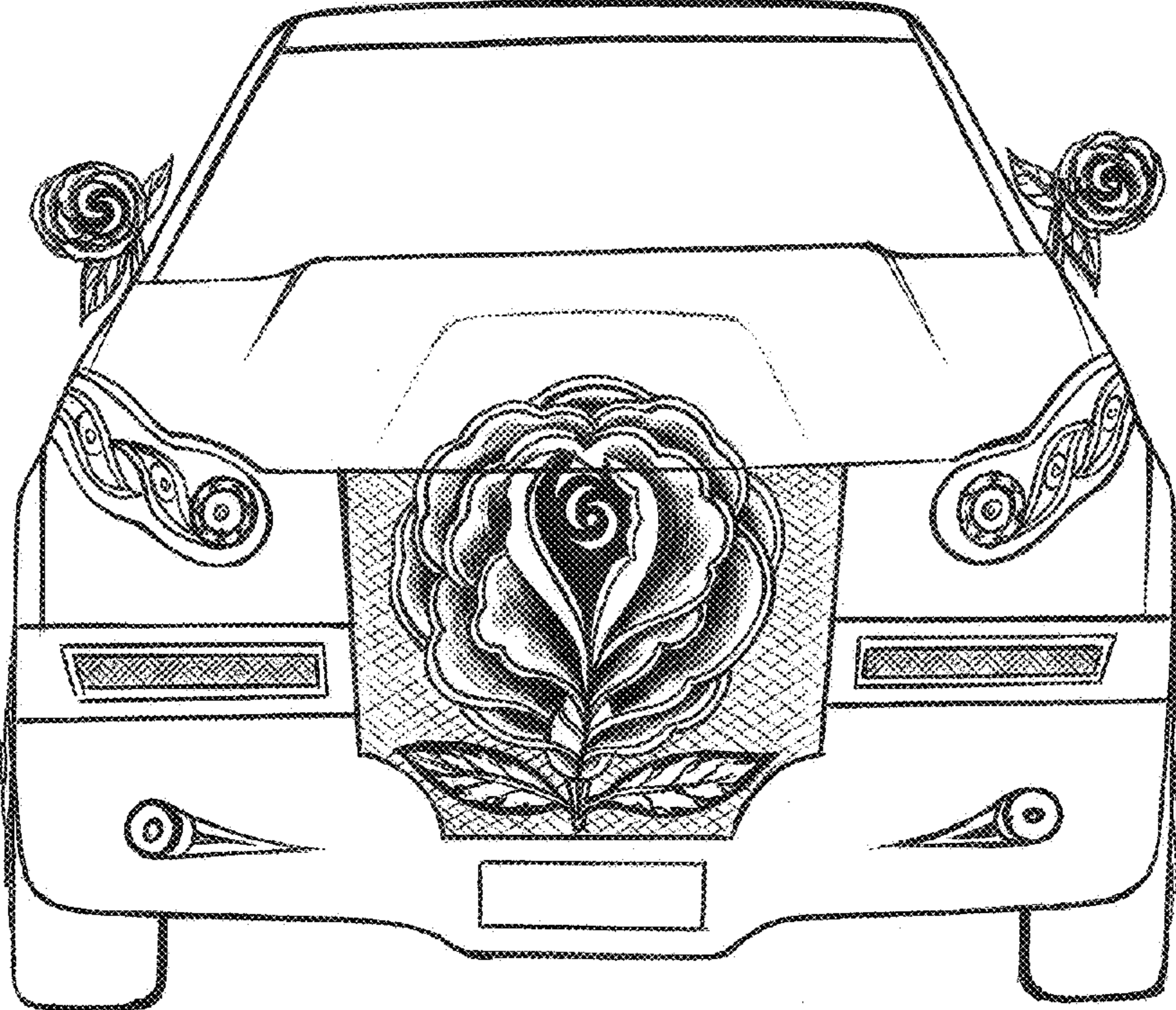


FIG. 3



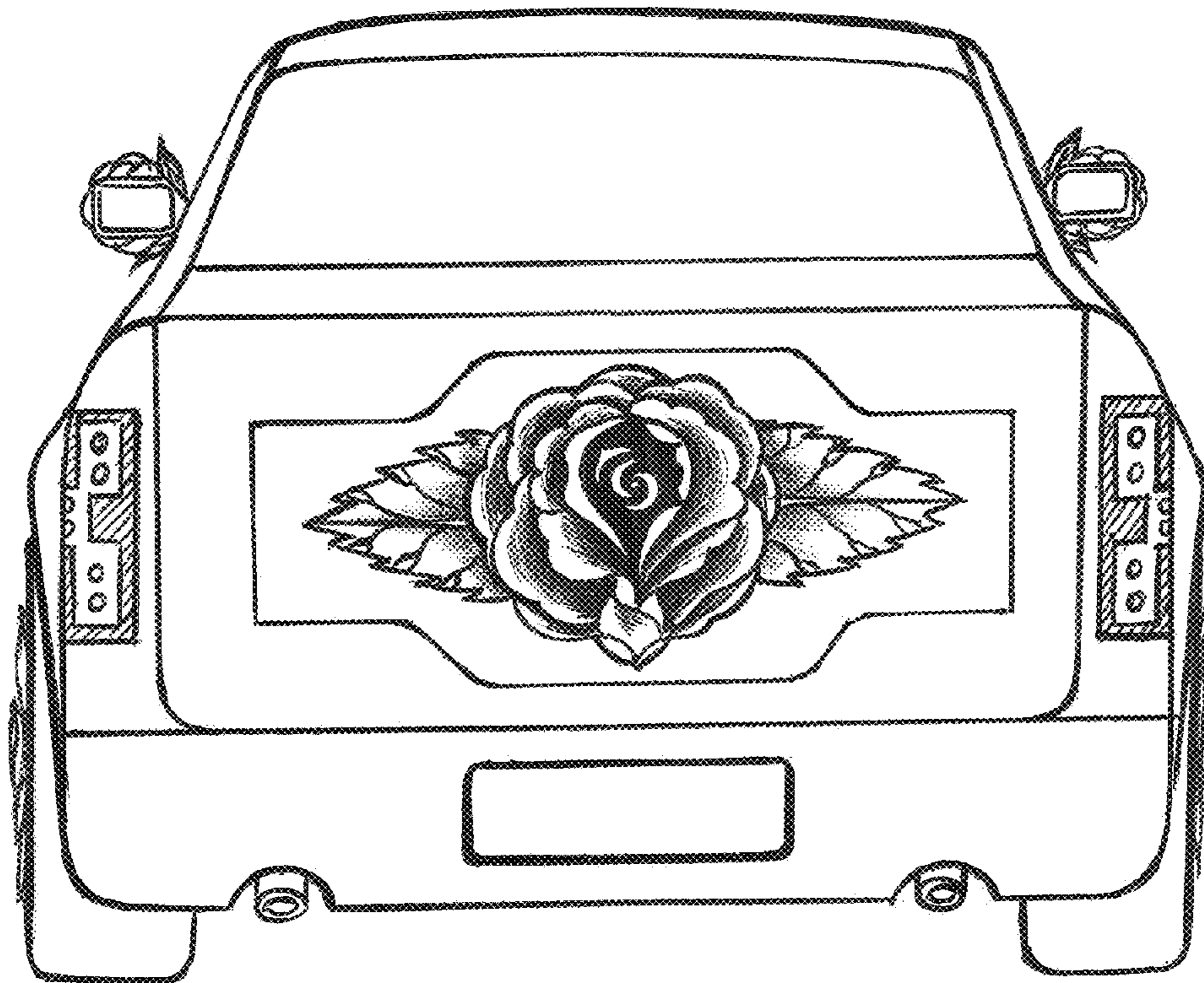


FIG. 4

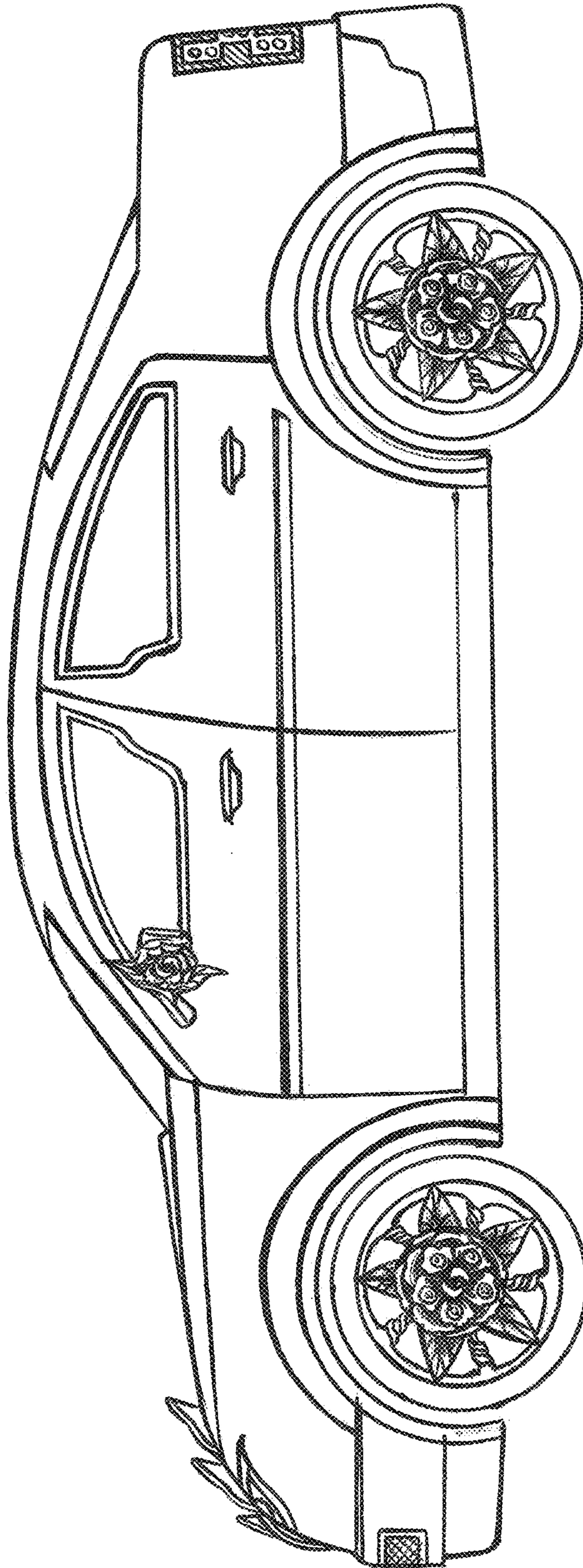
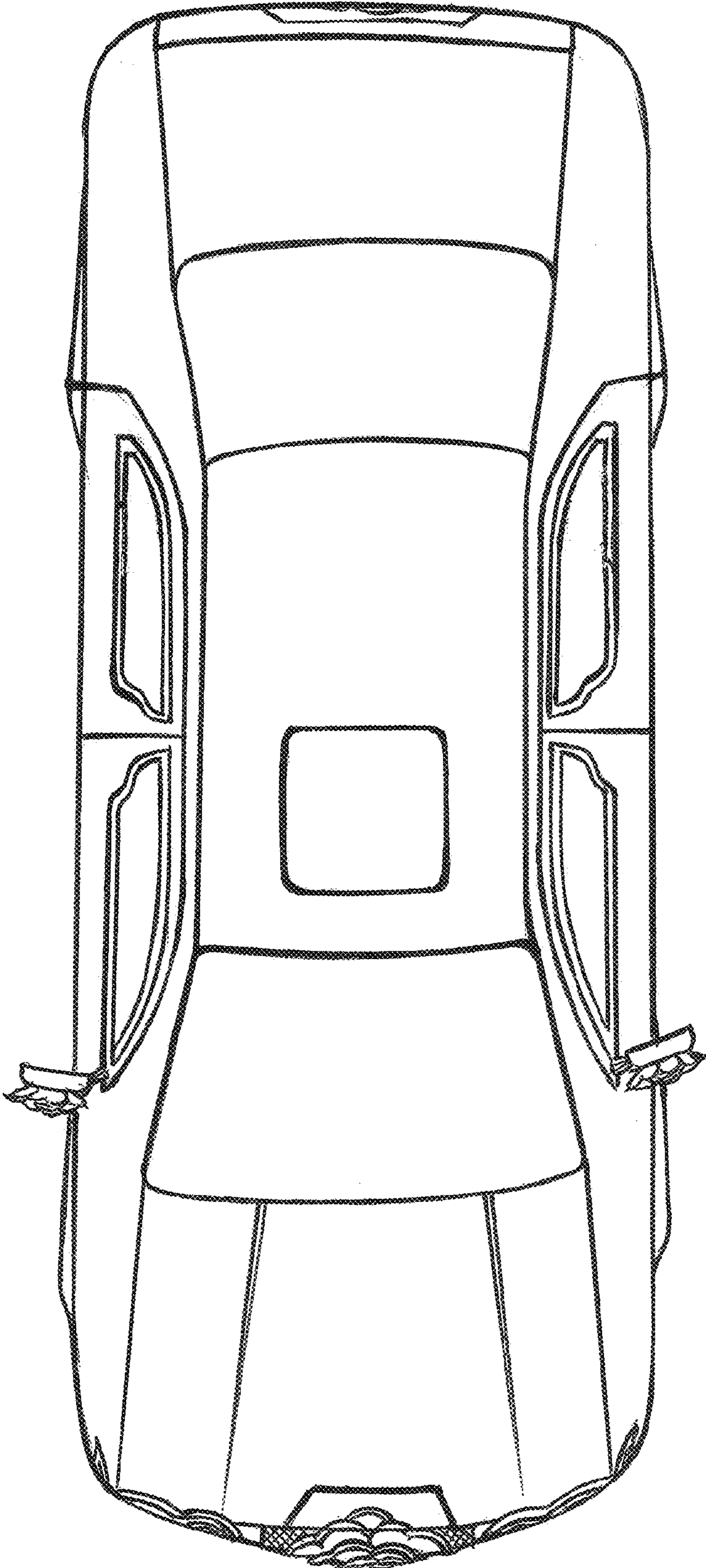


FIG. 5





**FIG. 6**