



US00D735610S

(12) **United States Design Patent**  
**Wheel**

(10) **Patent No.:** **US D735,610 S**

(45) **Date of Patent:** **\*\* Aug. 4, 2015**

(54) **VEHICLE**

(71) Applicant: **Jaguar Land Rover Limited**, Coventry  
(GB)

(72) Inventor: **Andrew Wheel**, Coventry (GB)

(73) Assignee: **Jaguar Land Rover Limited** (GB)

(\*\*) Term: **14 Years**

(21) Appl. No.: **29/483,401**

(22) Filed: **Feb. 27, 2014**

(51) **LOC (10) Cl.** ..... **12-08**

(52) **U.S. Cl.**  
USPC ..... **D12/91**

(58) **Field of Classification Search**  
USPC ..... D12/86, 90-92; D21/421, 433, 434;  
296/181.1, 181.5  
CPC ..... B62D 35/00; B62D 25/00; B62D 25/06;  
B62D 25/08; B62D 33/00  
See application file for complete search history.

(56) **References Cited**

**U.S. PATENT DOCUMENTS**

D618,138 S \* 6/2010 Yamaguchi et al. .... D12/91  
D637,110 S \* 5/2011 Sperling et al. .... D12/91

D647,820 S \* 11/2011 Jang ..... D12/91  
D684,093 S \* 6/2013 Woolley et al. .... D12/91  
D684,094 S \* 6/2013 Le Grice et al. .... D12/91  
D706,171 S \* 6/2014 Bischoff et al. .... D12/91  
D716,695 S \* 11/2014 Woolley et al. .... D12/91  
D718,188 S \* 11/2014 Wheel et al. .... D12/91

\* cited by examiner

*Primary Examiner* — Melody N Brown

(74) *Attorney, Agent, or Firm* — Fishman Stewart  
Yamaguchi PLLC

(57) **CLAIM**

The ornamental design for a vehicle, as shown and described.

**DESCRIPTION**

FIG. 1 is a front perspective view of a vehicle;  
FIG. 2 is a rear perspective view of a vehicle;  
FIG. 3 is a front view of a vehicle;  
FIG. 4 is a rear view of a vehicle;  
FIG. 5 is a left side view of a vehicle;  
FIG. 6 is a right side view of a vehicle; and,  
FIG. 7 is a top view of a vehicle.  
Portions of FIG. 1-7 that are shown in broken lines are for  
illustrative purposes only and form no part of the claimed  
design.

**1 Claim, 6 Drawing Sheets**

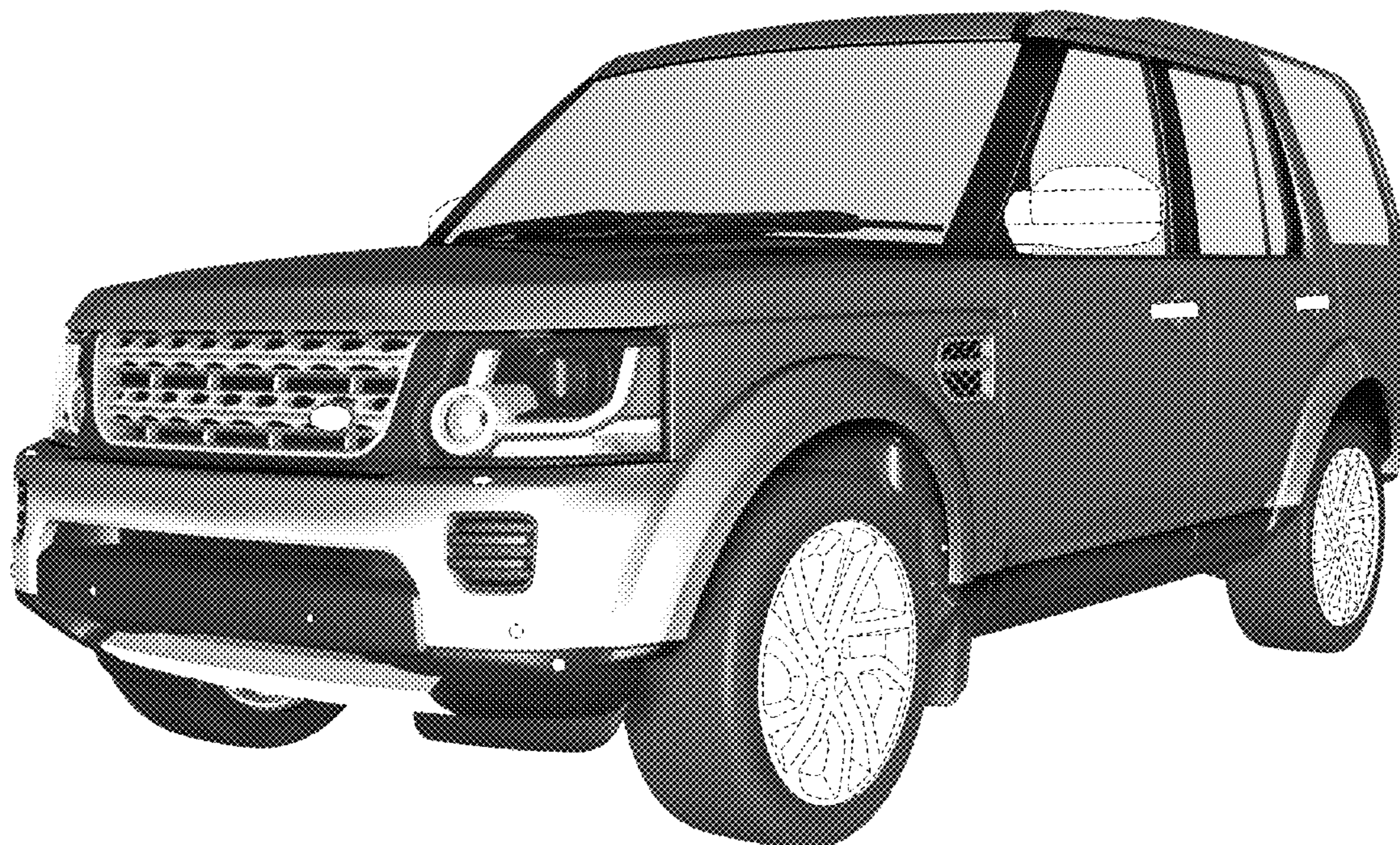






FIG. 1



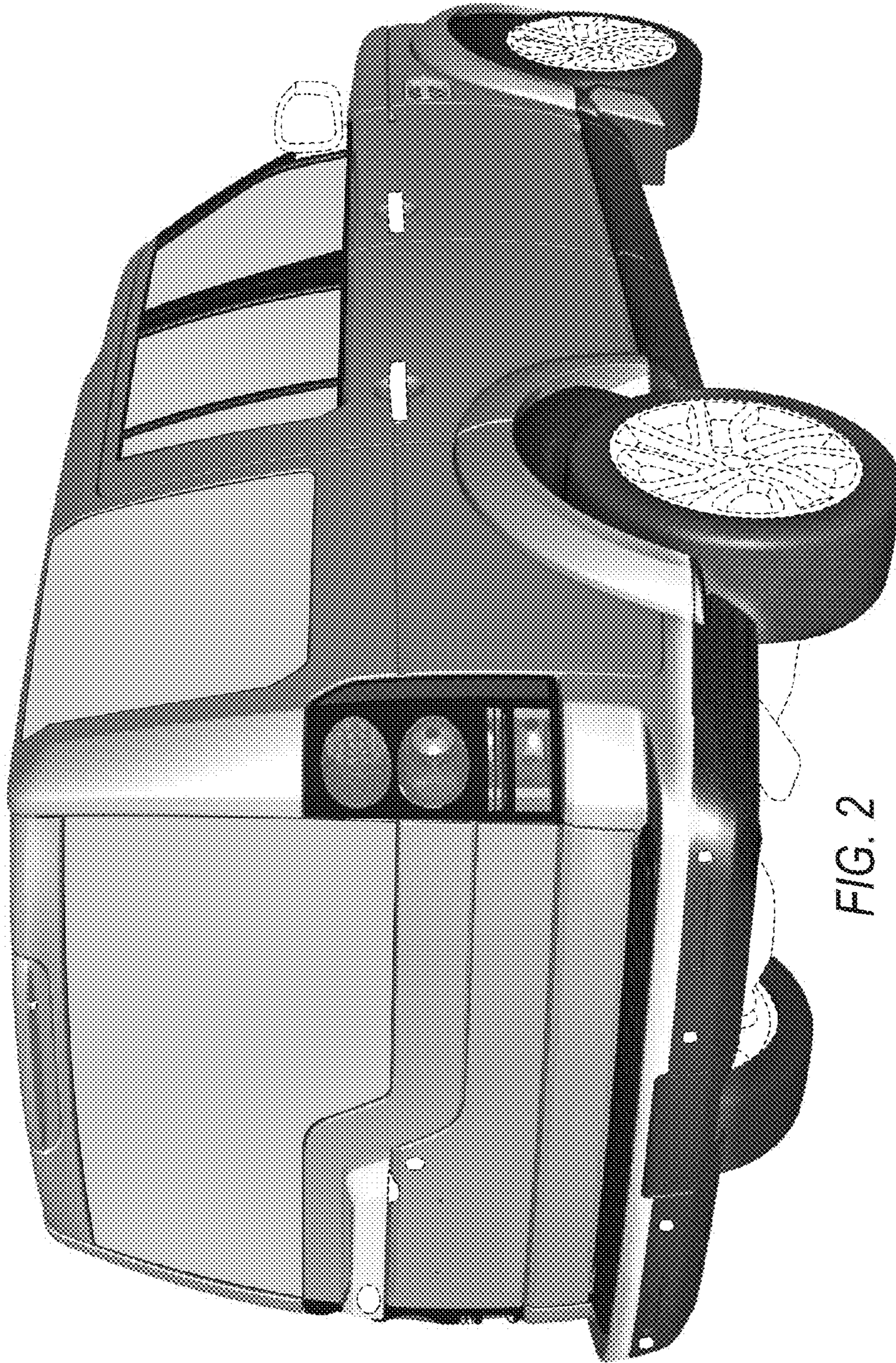


FIG. 2



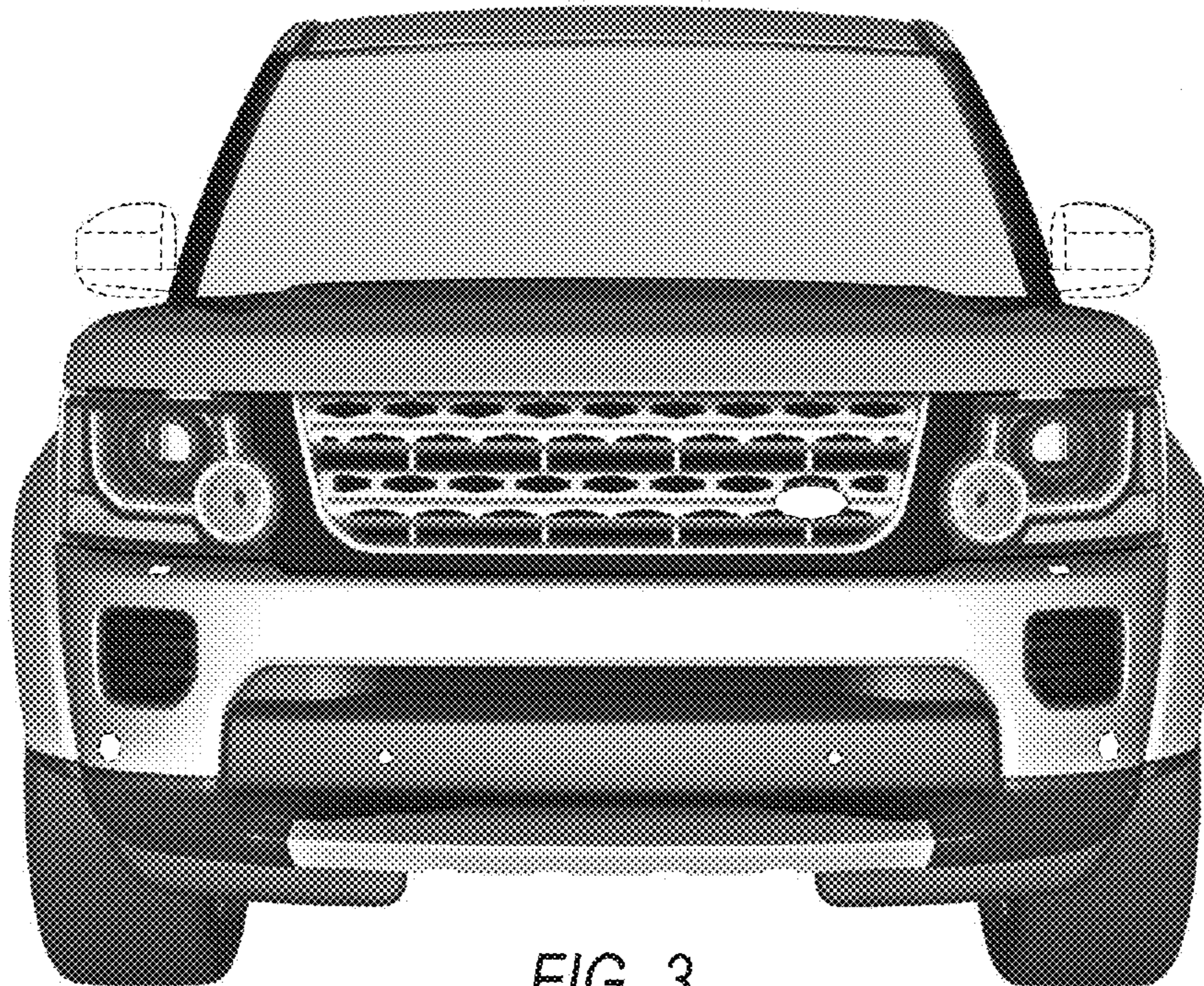


FIG. 3



FIG. 4



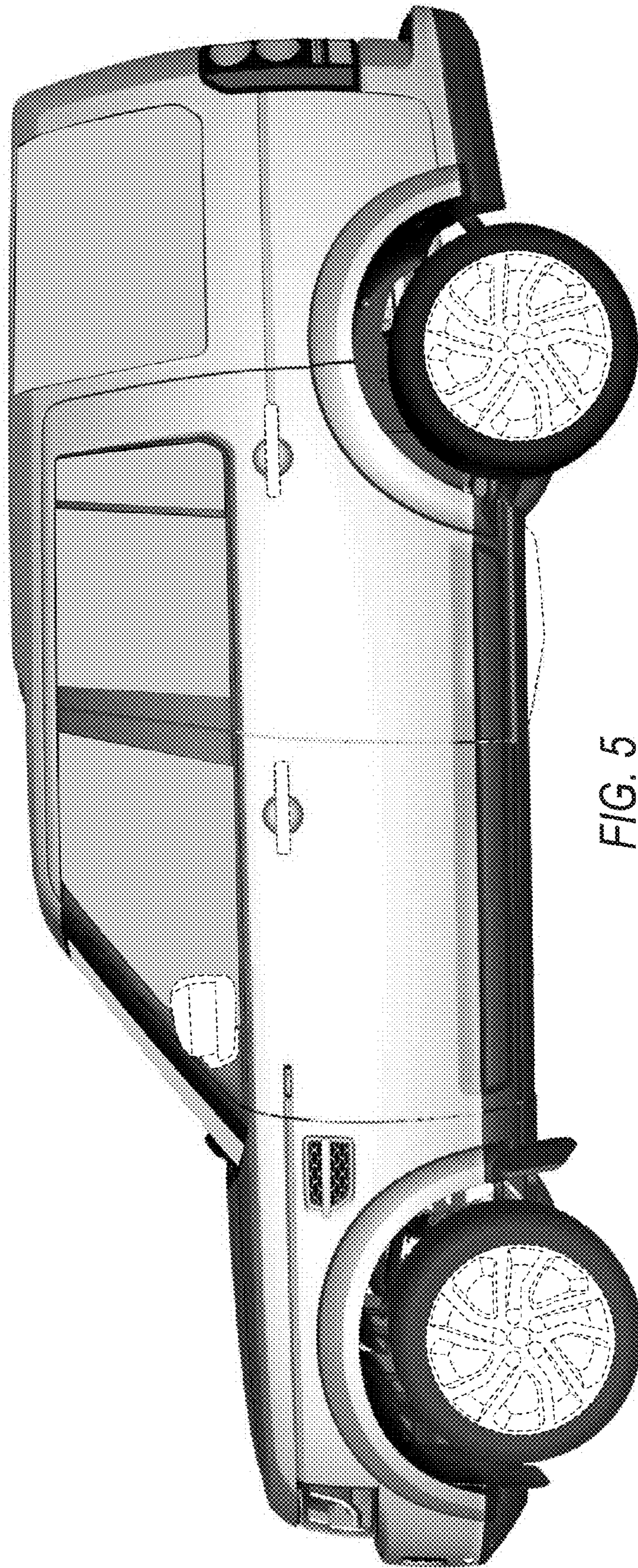


FIG. 5



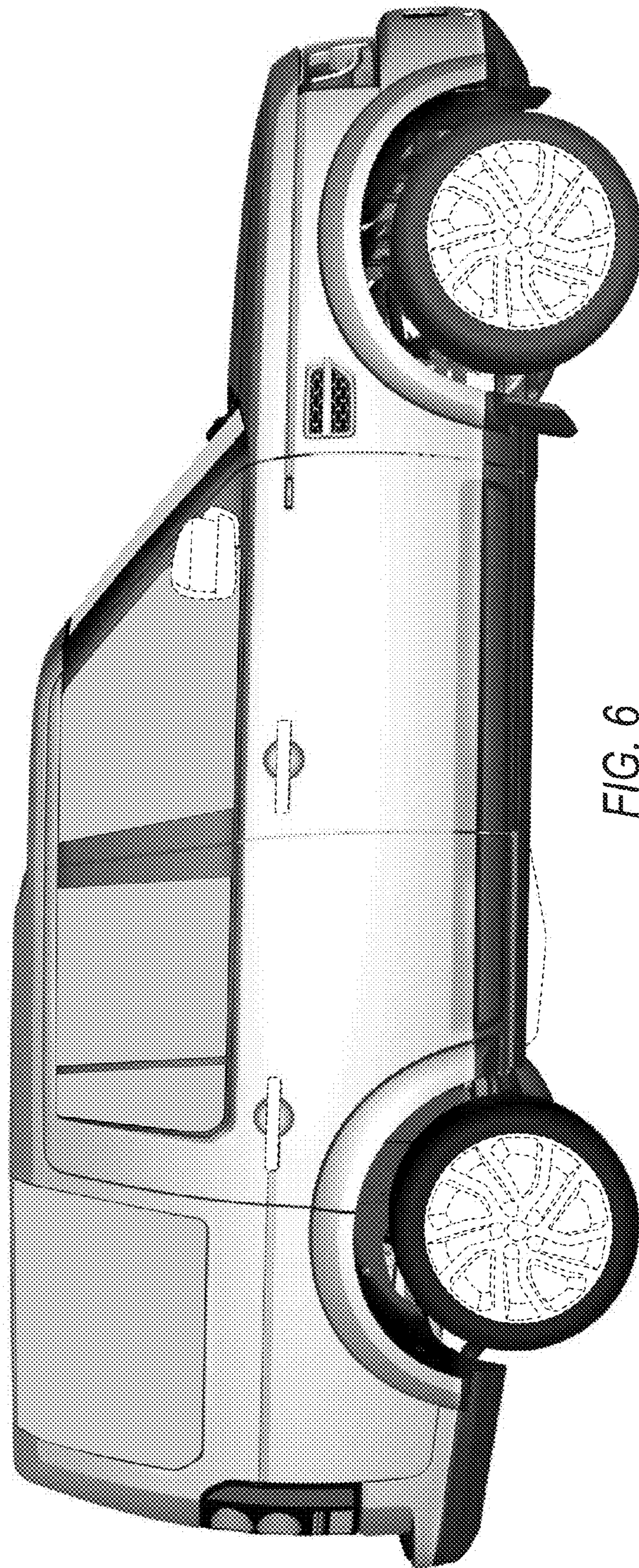


FIG. 6



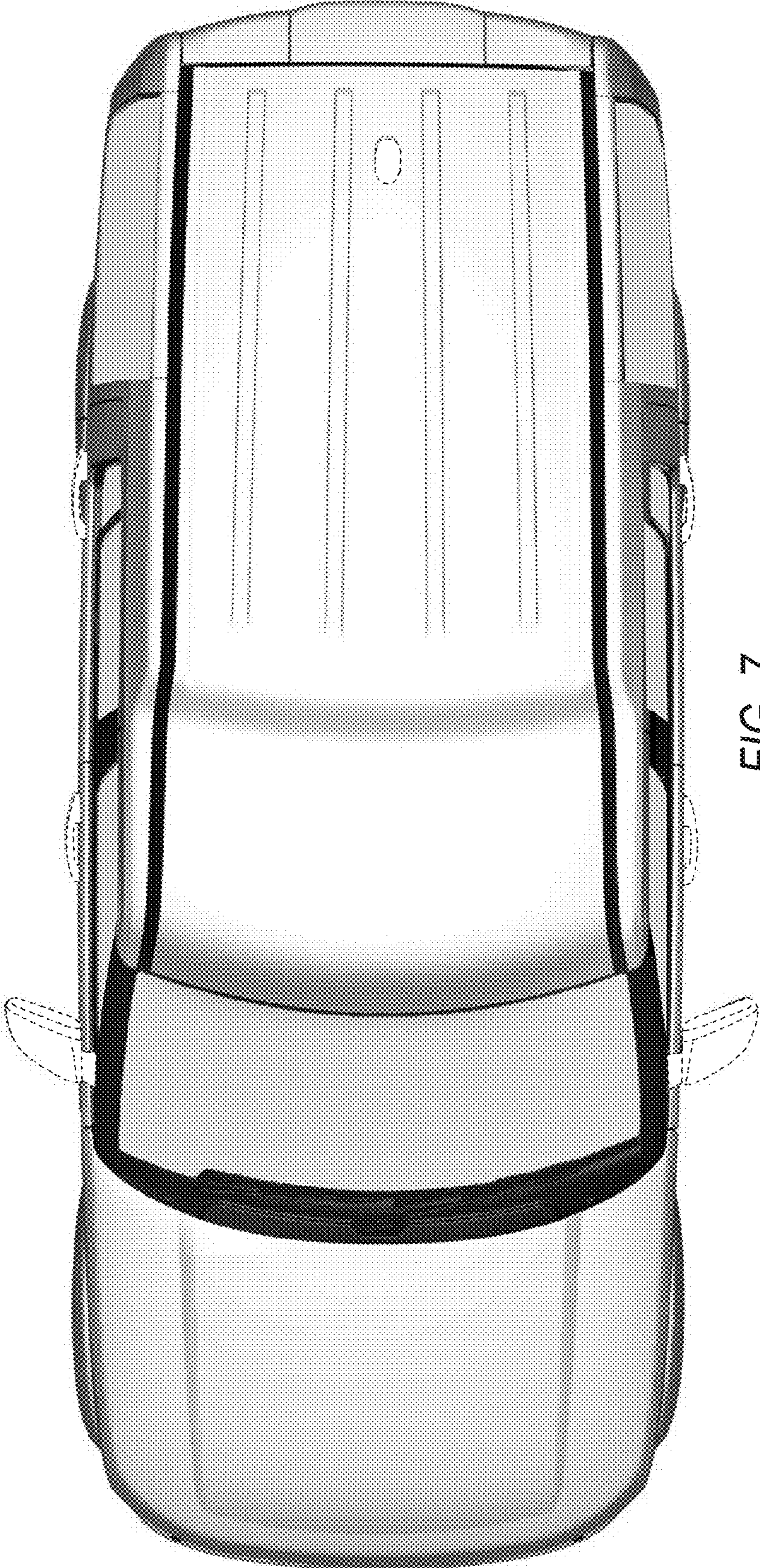


FIG. 7