



US00D735603S

(12) **United States Design Patent**
Siegel

(10) **Patent No.:** **US D735,603 S**

(45) **Date of Patent:** **** Aug. 4, 2015**

(54) **FIGURINE**

(71) Applicant: **Kamal Siegel**, Redmond, WA (US)

(72) Inventor: **Kamal Siegel**, Redmond, WA (US)

(**) Term: **14 Years**

(21) Appl. No.: **29/516,558**

(22) Filed: **Feb. 3, 2015**

7,237,690 B2 * 7/2007 Stern 221/24
7,815,485 B2 * 10/2010 Moothedath et al. 446/352
D680,589 S * 4/2013 Hardy et al. D20/31
D706,352 S * 6/2014 Hardy et al. D20/31

OTHER PUBLICATIONS

<https://www.etsy.com/listing/185260227/new-art-class-wooden-figure-8-male?ref=market> Listed Jan. 22, 2015 Found Mar. 13, 2015.*

http://cnmannequin.en.alibaba.com/product/211690630-219937129/wooden_mannequin.html Copyrighted 1999-2014 Found Mar. 13, 2015.*

* cited by examiner

Primary Examiner — Eric Goodman

Assistant Examiner — Amy Wierenga

(74) *Attorney, Agent, or Firm* — QuickPatents; Kevin Prince

Related U.S. Application Data

(62) Division of application No. 29/444,711, filed on Feb. 1, 2013.

(51) **LOC (10) Cl.** **11-02**

(52) **U.S. Cl.**
USPC **D11/160**

(58) **Field of Classification Search**
USPC D11/134, 136, 149, 157, 160, 184;
D21/576, 585, 621; 446/330, 371, 376
See application file for complete search history.

CLAIM

I claim the ornamental design for a figurine, as shown and described,

DESCRIPTION

FIG. 1 is a perspective view of a figurine, showing my new design;

FIG. 2 is a front elevational view thereof;

FIG. 3 is a rear elevational view thereof;

FIG. 4 is a left-side elevational view thereof, the right-side elevational view being a mirror image thereof;

FIG. 5 is a top plan view thereof; and,

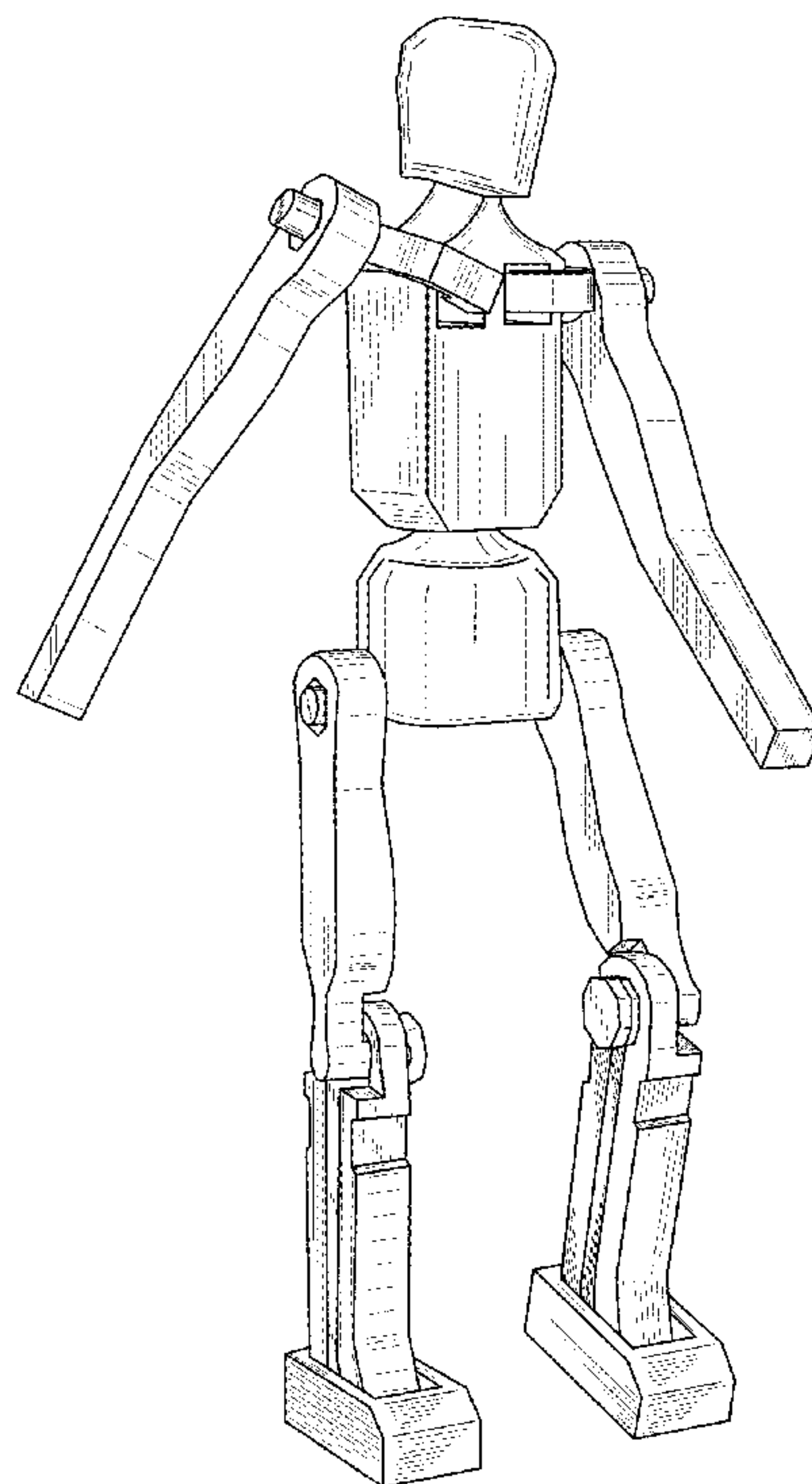
FIG. 6 is a bottom plan view thereof.

References Cited

U.S. PATENT DOCUMENTS

D59,051 S * 9/1921 Wilcox D21/621
2,454,899 A * 11/1948 Twomey 434/86
D233,238 S * 10/1974 Reed et al. D19/62
D353,856 S * 12/1994 Ryaa et al. D21/621
5,480,074 A * 1/1996 Duncan et al. 223/66
6,089,950 A * 7/2000 Lee et al. 446/376
6,422,916 B1 * 7/2002 Enku 446/330
D537,130 S * 2/2007 Kitamura D21/621

1 Claim, 3 Drawing Sheets



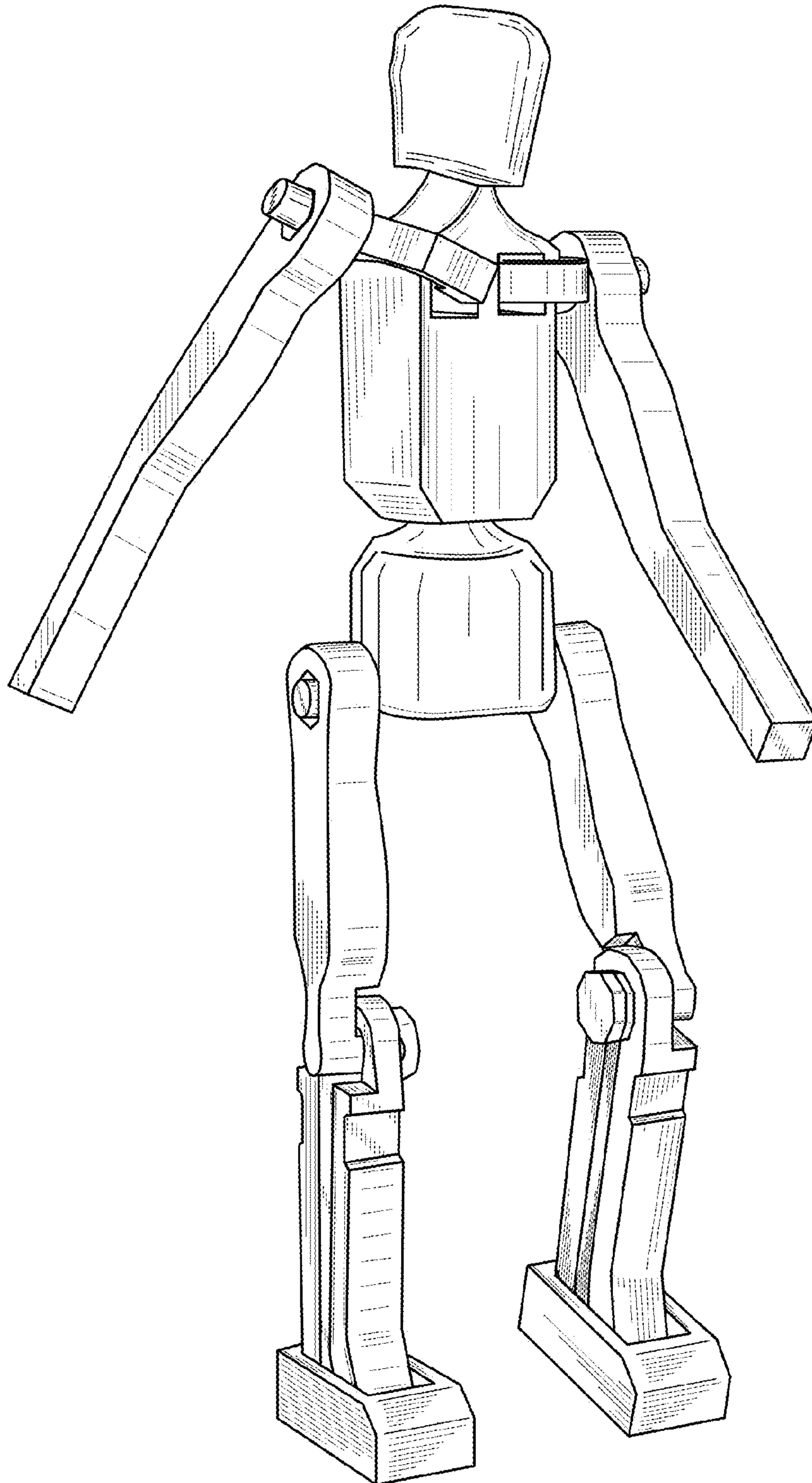


FIG. 1

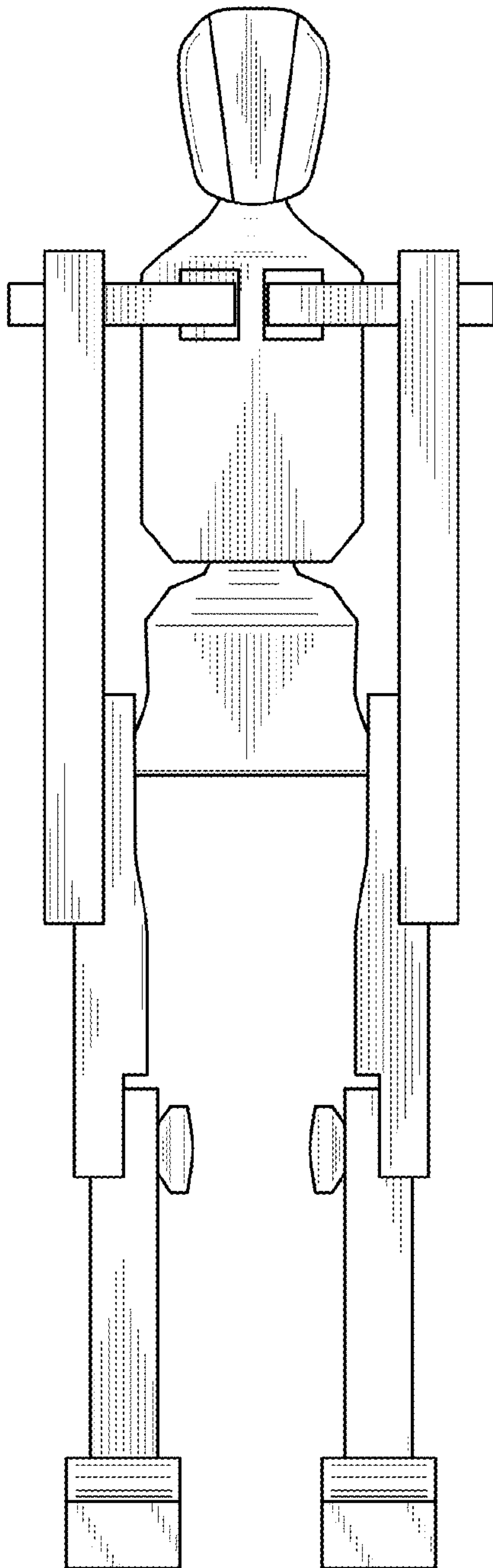


FIG. 2

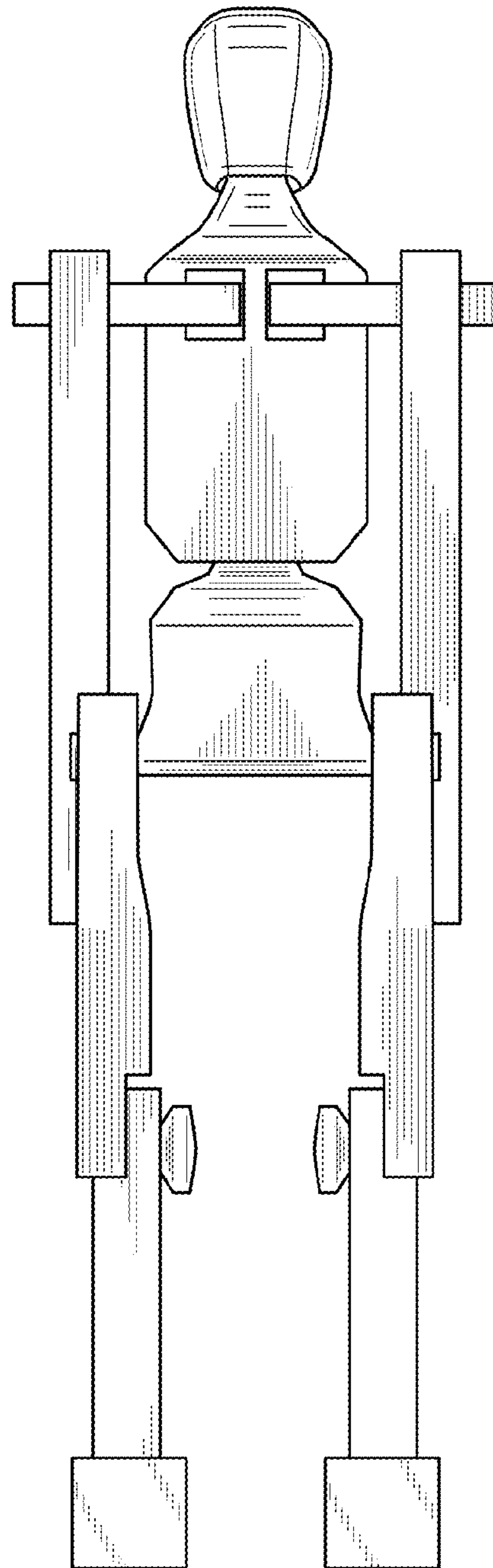


FIG. 3

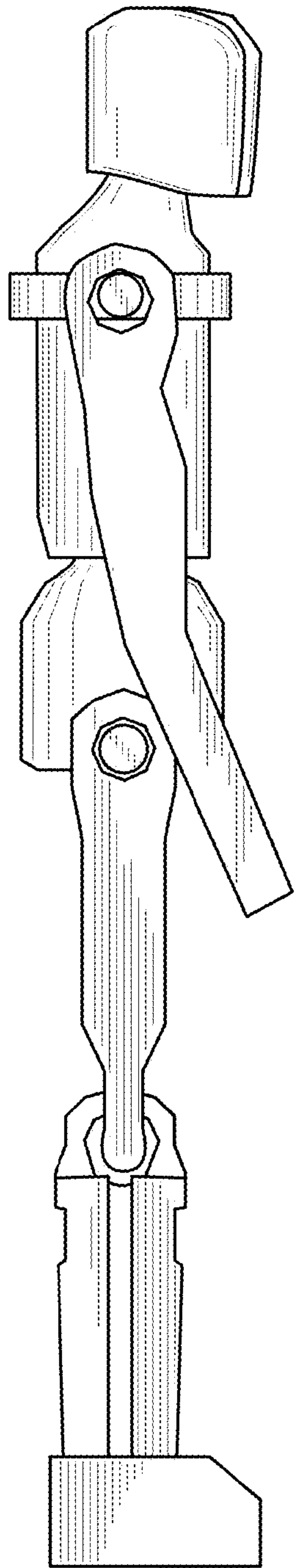


FIG. 4

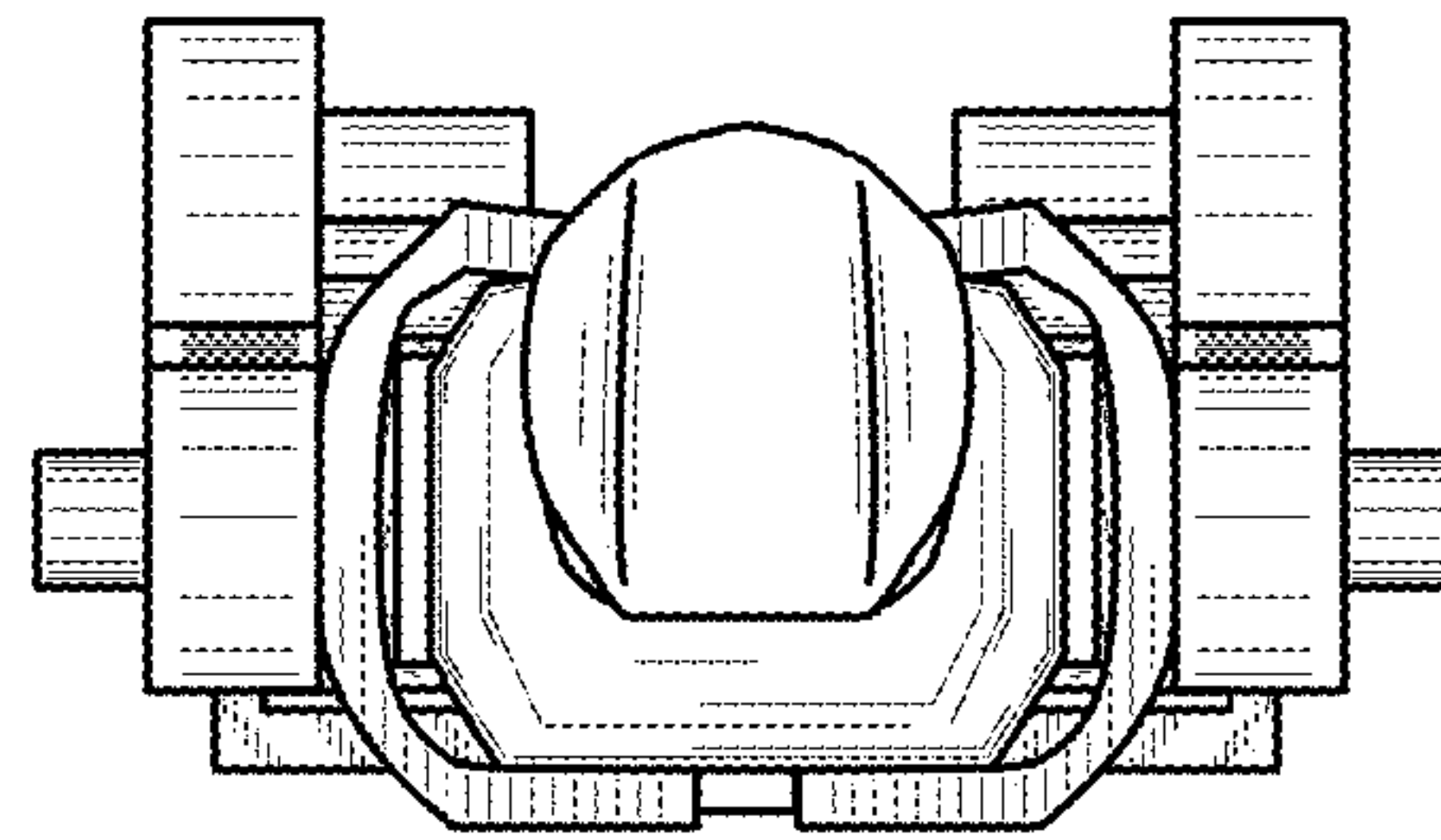


FIG. 5

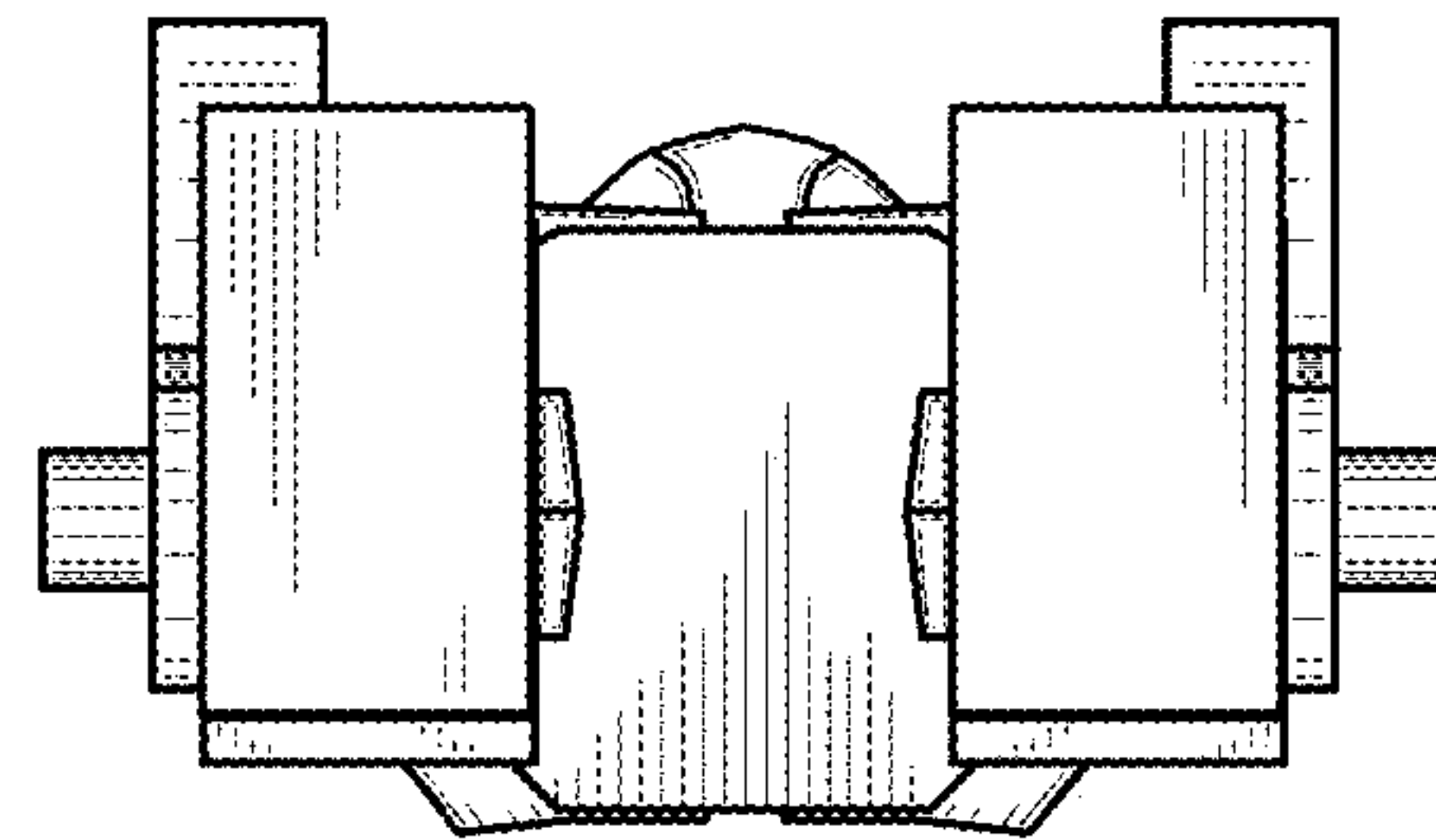


FIG. 6