

US00D735599S

(12) **United States Design Patent**
Juarez

(10) **Patent No.:** **US D735,599 S**

(45) **Date of Patent:** **** Aug. 4, 2015**

(54) **RELIGIOUS ARTICLE**

(71) Applicant: **Richard Juarez**, Compton, CA (US)

(72) Inventor: **Richard Juarez**, Compton, CA (US)

(**) Term: **14 Years**

(21) Appl. No.: **29/485,303**

(22) Filed: **Mar. 18, 2014**

(51) **LOC (10) Cl.** **11-03**

(52) **U.S. Cl.**
USPC **D11/96**

(58) **Field of Classification Search**
USPC D11/30, 44, 48, 60, 79, 81, 86, 95-116,
D11/125, 131, 133, 149, 157, 172, 211, 217,
D11/219, 223, 40; 63/1.11, 1.12, 1.13, 1.14,
63/1.16, 1.18, 13, 14.1, 35, 39, 19;
D99/17, 23, 25, 27, 30; 428/3

See application file for complete search history.

(56) **References Cited**

U.S. PATENT DOCUMENTS

D115,265 S *	6/1939	Itton	D11/96
D118,859 S *	2/1940	Kronstad	D99/27
2,650,445 A	9/1953	Randall		
2,876,559 A	3/1959	Sloan		
D186,946 S *	12/1959	Schuessler	D11/81
D189,687 S *	1/1961	McAllister	D11/81
3,415,079 A	12/1968	Tomchin		
D224,914 S	10/1972	David		

D251,717 S *	5/1979	Graves	D11/103
D255,279 S *	6/1980	Graves	D11/96
D256,399 S *	8/1980	Barr	D99/27
D305,216 S *	12/1989	Aucoin	D11/105
D334,725 S *	4/1993	White	D11/99
D371,983 S *	7/1996	Burman	D11/103
D411,965 S *	7/1999	Ruegg, Sr.	D11/40
D465,432 S	11/2002	Henmi		
D467,196 S	12/2002	Pinto		
D506,948 S *	7/2005	Gehrke	D11/96
D512,660 S *	12/2005	Steshik	D11/81
D543,889 S *	6/2007	Strobel	D11/116
D580,815 S	11/2008	Powell		
D623,979 S *	9/2010	Mogren	D11/103
D685,288 S *	7/2013	Clark	D11/96

* cited by examiner

Primary Examiner — T. Chase Nelson

Assistant Examiner — Mark Cavanna

(57) **CLAIM**

The ornamental design for a religious article, as shown and described.

DESCRIPTION

FIG. 1 is a perspective view of a religious article showing my new design;

FIG. 2 is a front view thereof;

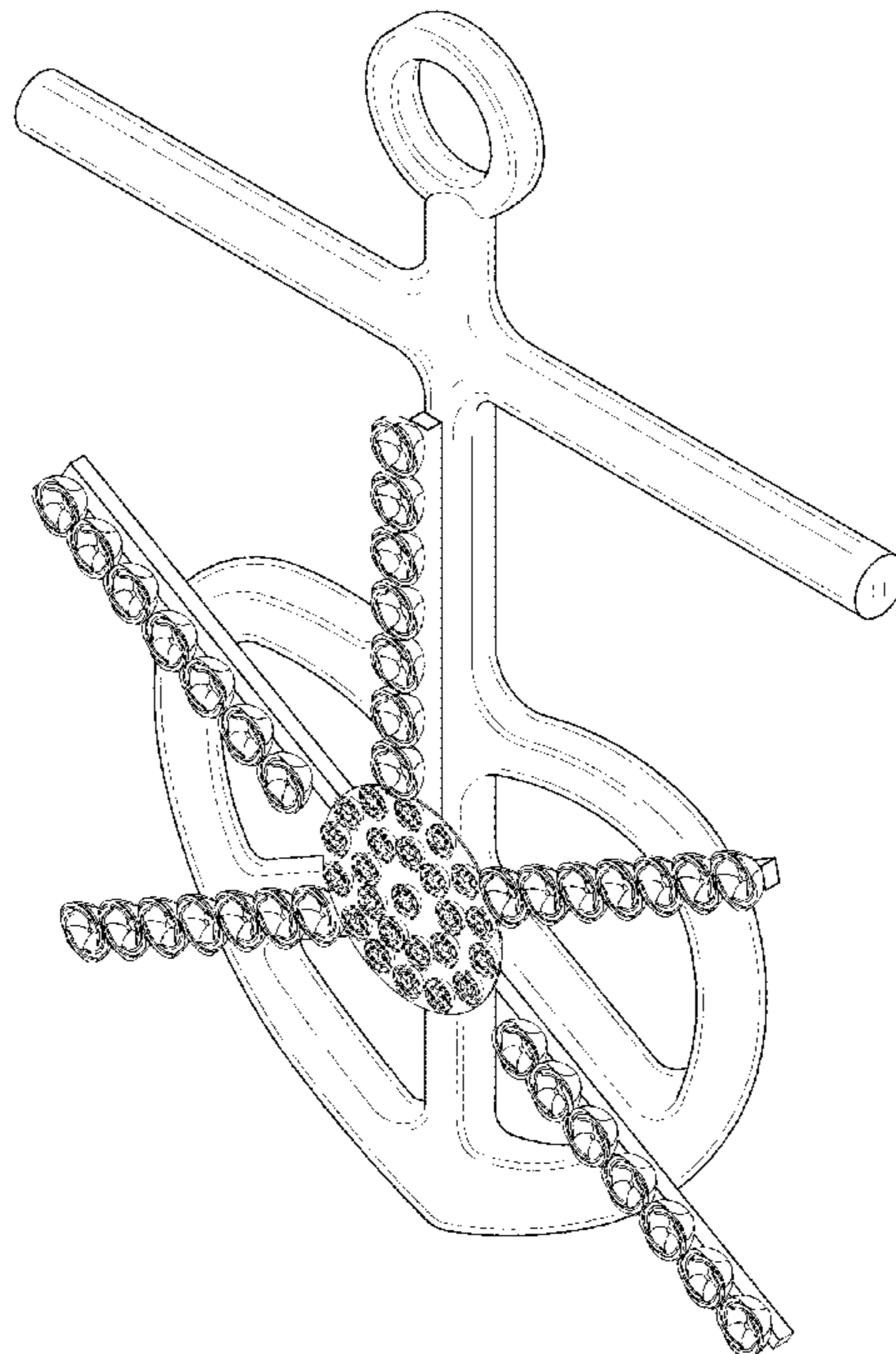
FIG. 3 is a back view thereof;

FIG. 4 is a side view thereof; the opposite side view is a mirror-image thereof;

FIG. 5 is a top view thereof; and,

FIG. 6 is a bottom view thereof.

1 Claim, 5 Drawing Sheets



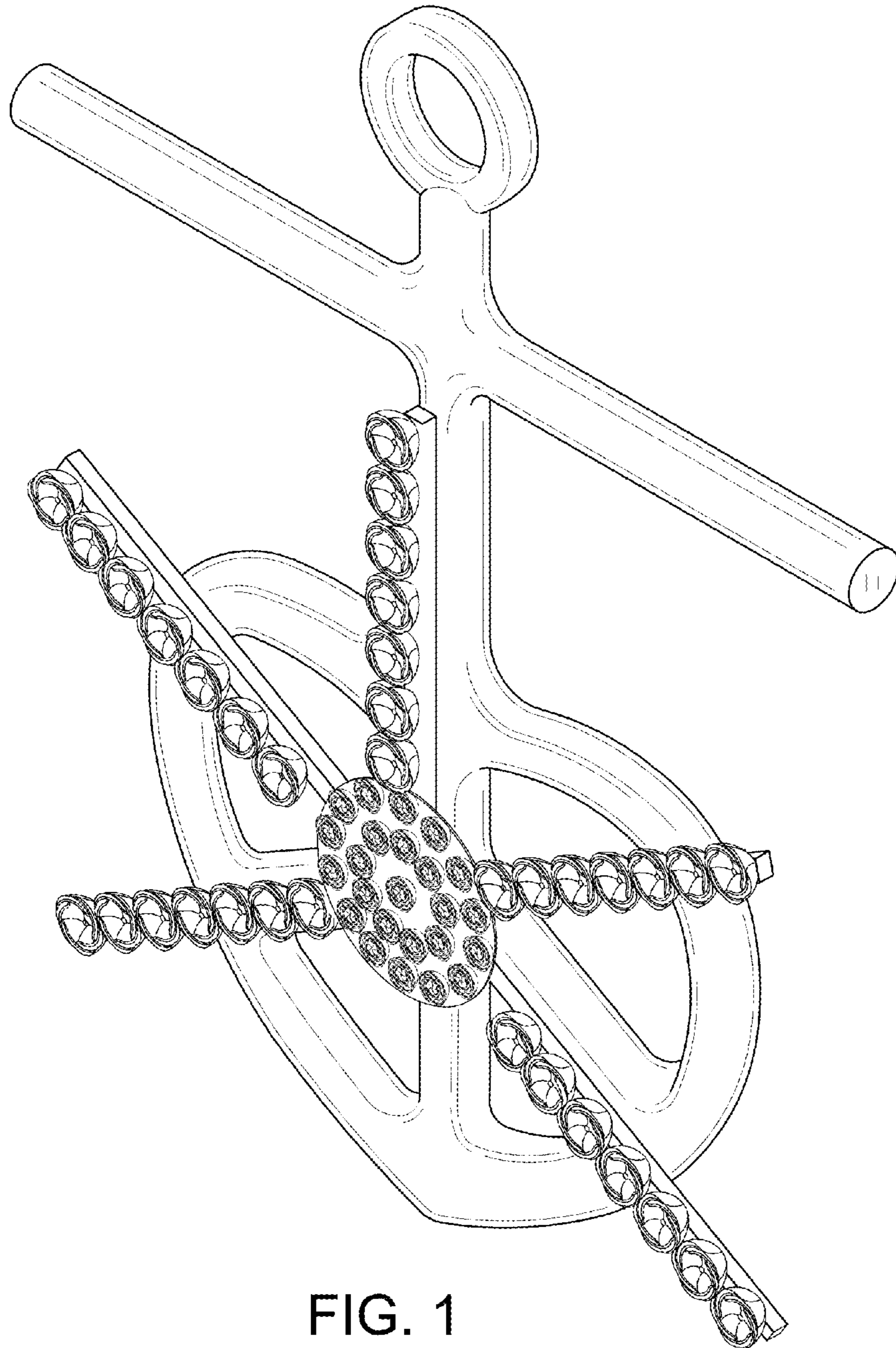


FIG. 1

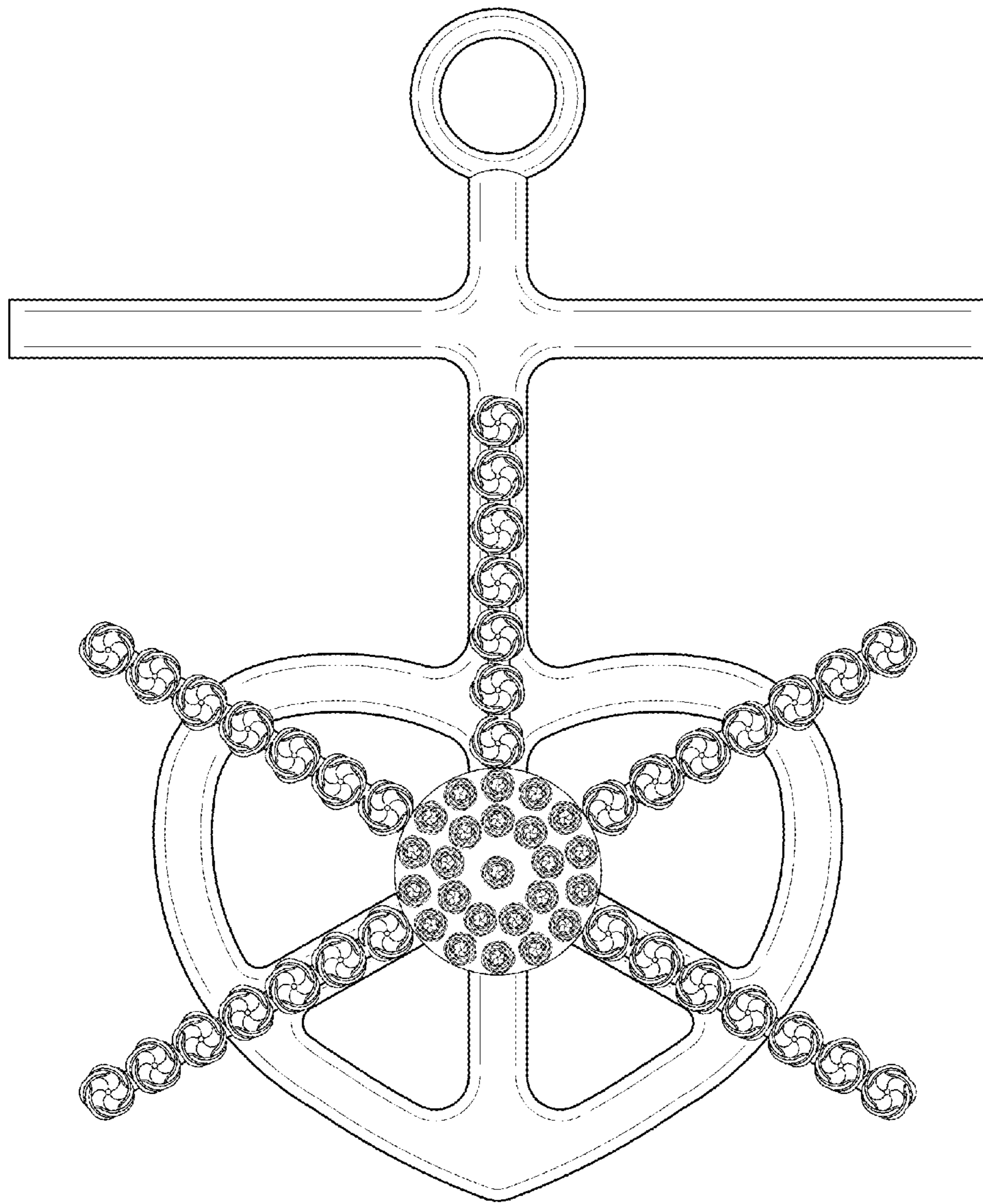


FIG. 2

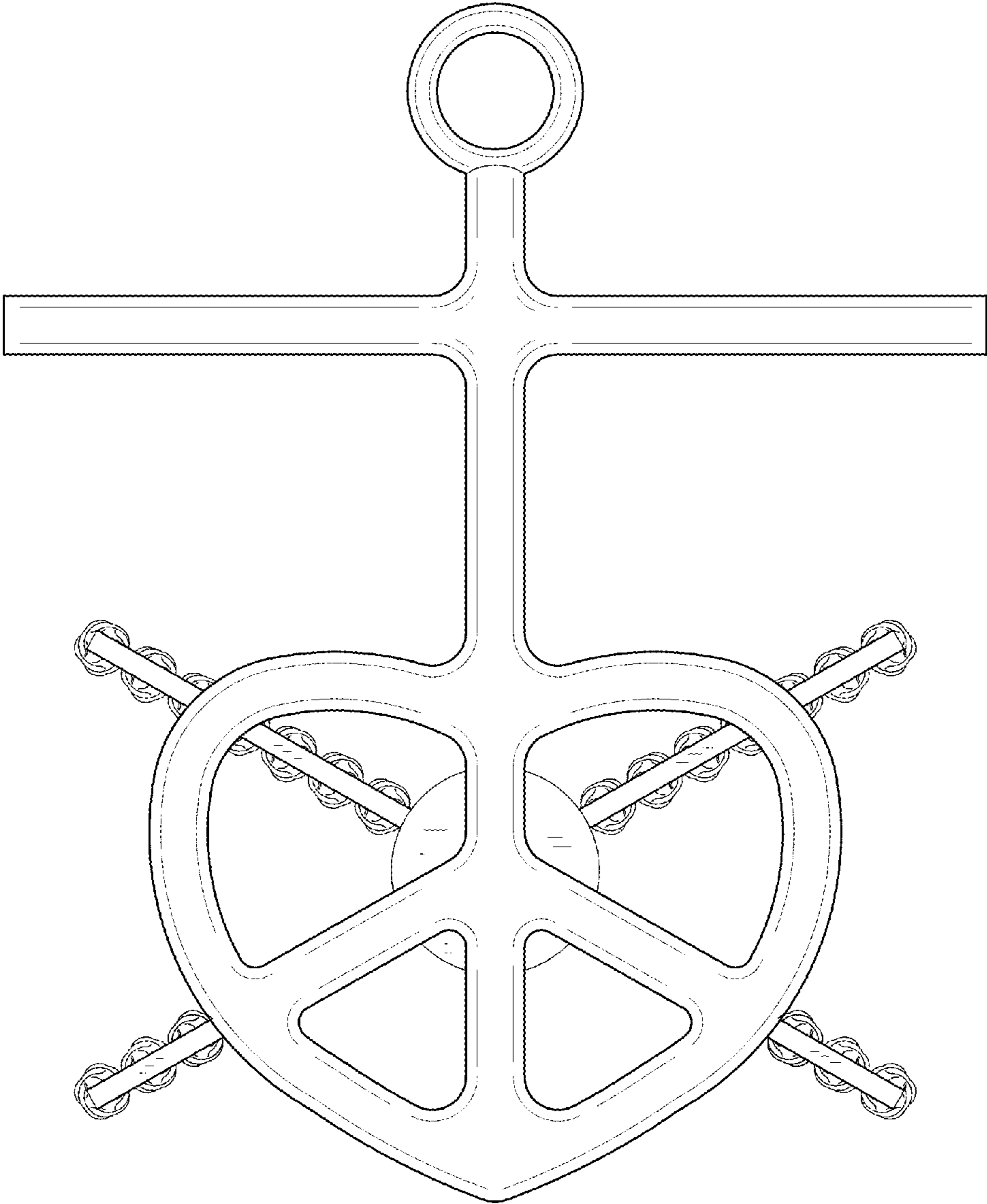


FIG. 3

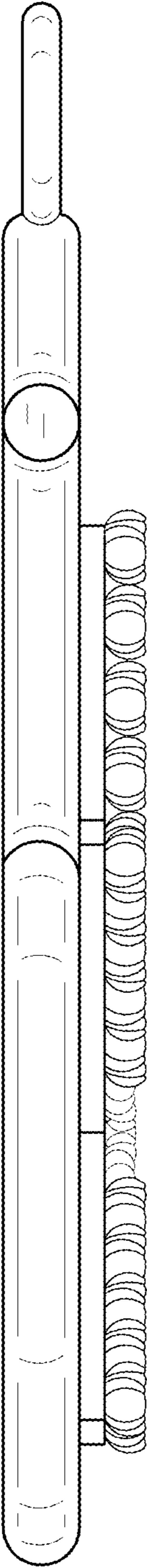


FIG. 4

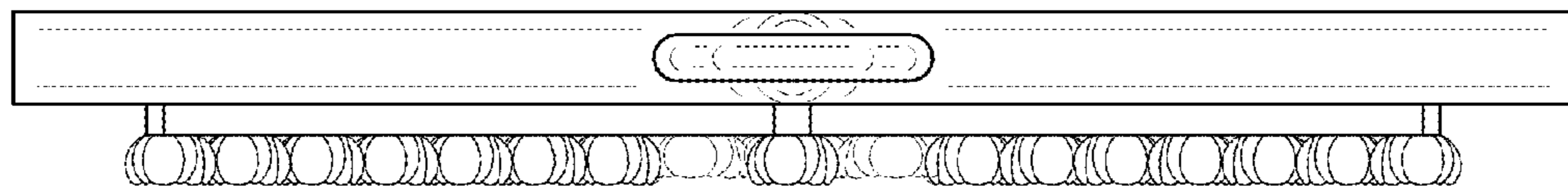


FIG. 5

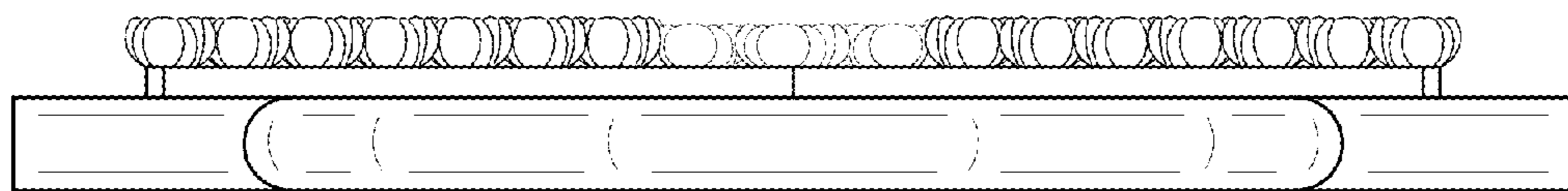


FIG. 6