

US00D735596S

(12) **United States Design Patent**
Schmid et al.

(10) **Patent No.:** **US D735,596 S**

(45) **Date of Patent:** **** Aug. 4, 2015**

(54) **SELF-INFLATING TIRE AIR REGULATOR**

27/00–23/02

See application file for complete search history.

(71) Applicants: **Eaton Corporation**, Cleveland, OH (US); **The Goodyear Tire & Rubber Company**, Akron, OH (US)

(56) **References Cited**

U.S. PATENT DOCUMENTS

8,316,653 B2 * 11/2012 Appler et al. 62/77

* cited by examiner

Primary Examiner — Antoine D Davis

(74) *Attorney, Agent, or Firm* — Dierker & Associates, P.C.

(72) Inventors: **Derek K. Schmid**, Northglenn, CO (US); **Robert A. Dayton**, Attica, MI (US); **Ramakrishna Bhoga**, Pune (IN); **Sagar Pingale**, Pune (IN); **Ravikumar Dinni**, Pune (IN)

(73) Assignee: **Eaton Corporation**, Cleveland, OH (US)

(**) Term: **14 Years**

(57) **CLAIM**

The ornamental design for a self-inflating tire air regulator, as shown and described.

(21) Appl. No.: **29/497,564**

(22) Filed: **Jul. 25, 2014**

Related U.S. Application Data

DESCRIPTION

(63) Continuation-in-part of application No. 29/480,495, filed on Jan. 27, 2014.

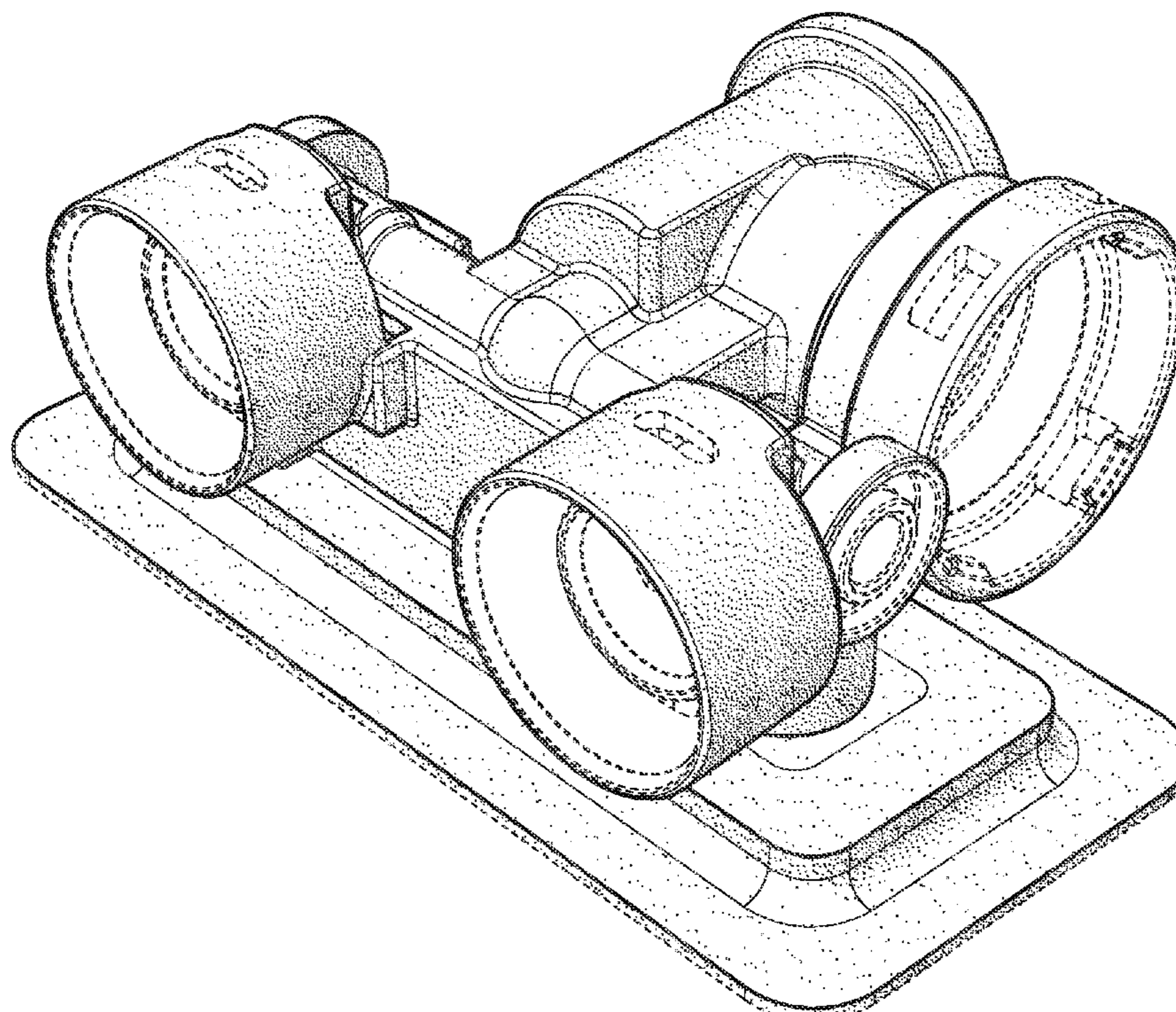
(51) **LOC (10) Cl.** **10-04**

(52) **U.S. Cl.**
USPC **D10/83**

(58) **Field of Classification Search**
USPC D10/83–86; D23/235
CPC B60C 23/0408; B60C 23/0494; G01L 7/043;
G01L 7/00–7/24; G01L 13/00–13/06; G01L 15/00; G01L 17/00–17/005; G01L 19/00–19/16; G01L 23/00–23/32; G01L

FIG. 1 is a front perspective view of an example of a self-inflating tire air regulator according to the present disclosure; FIG. 2 is a top view of the example of FIG. 1; FIG. 3 is a bottom view of the example of FIG. 1; FIG. 4 is a front view of the example of FIG. 1; FIG. 5 is a rear view of the example of FIG. 1; FIG. 6 is a right side view of the example of FIG. 1; and, FIG. 7 is a left side view of the example of FIG. 1. The dashed lines form no part of the claimed design.

1 Claim, 4 Drawing Sheets



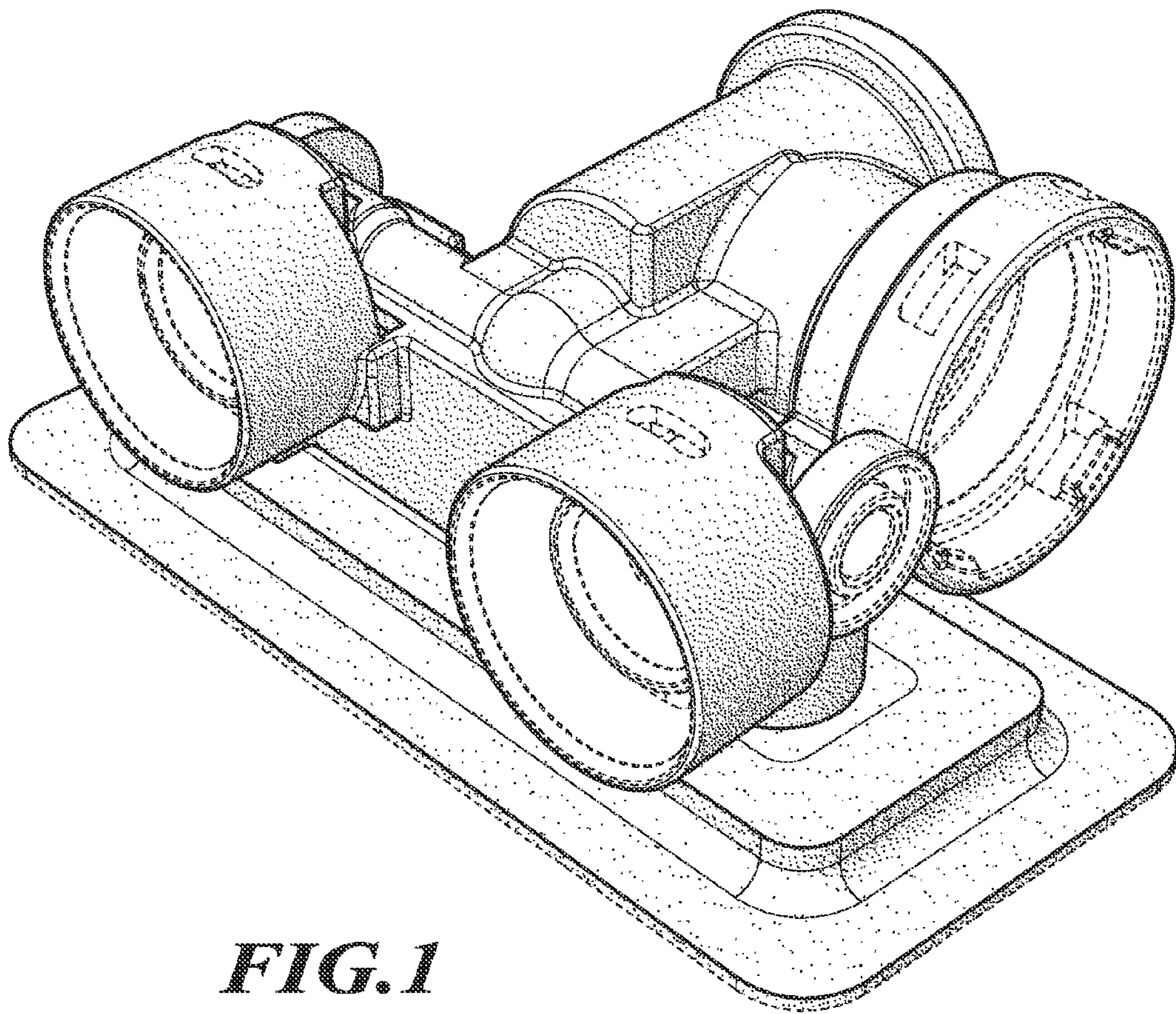


FIG. 1

FIG. 2

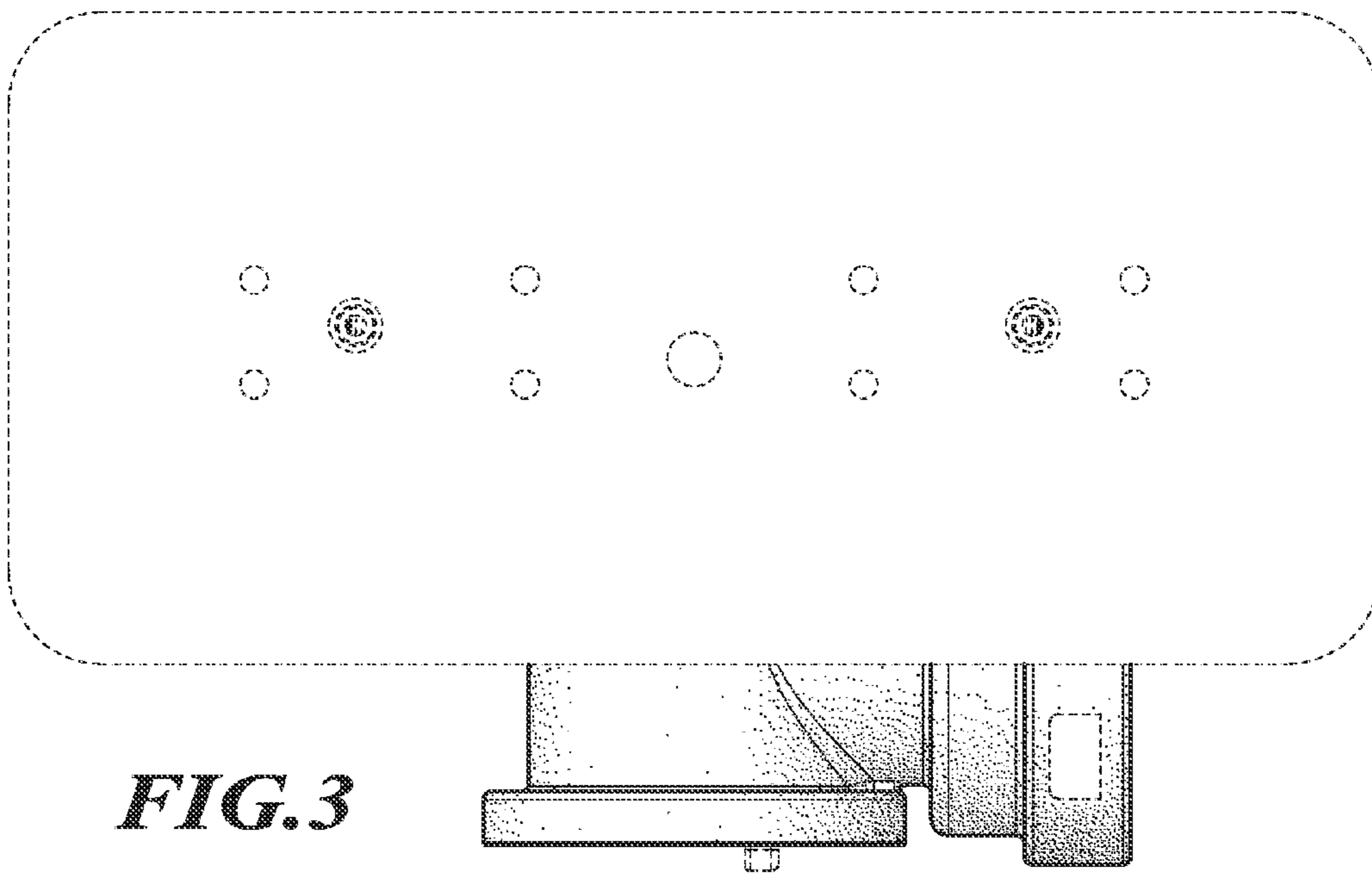
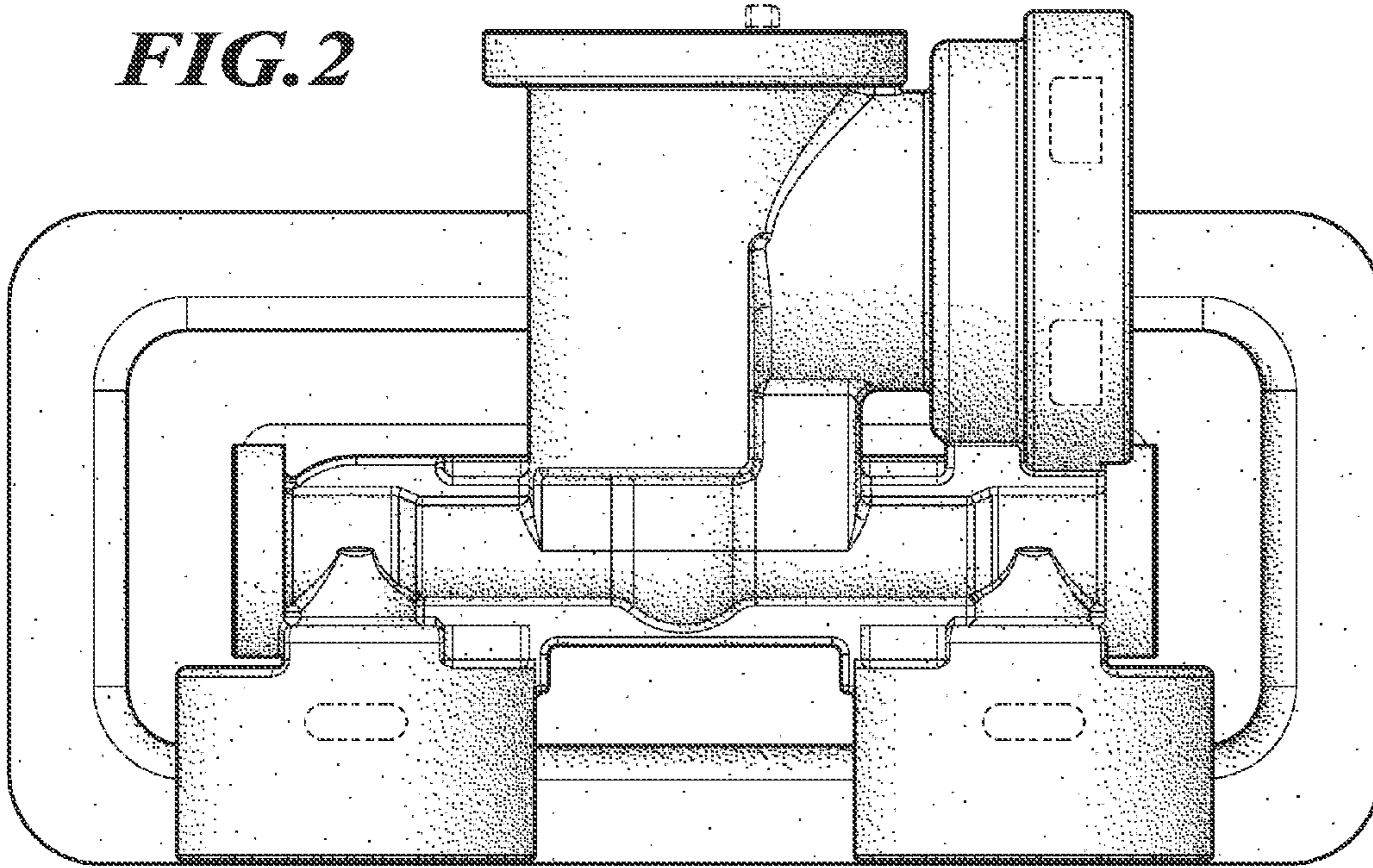


FIG. 3

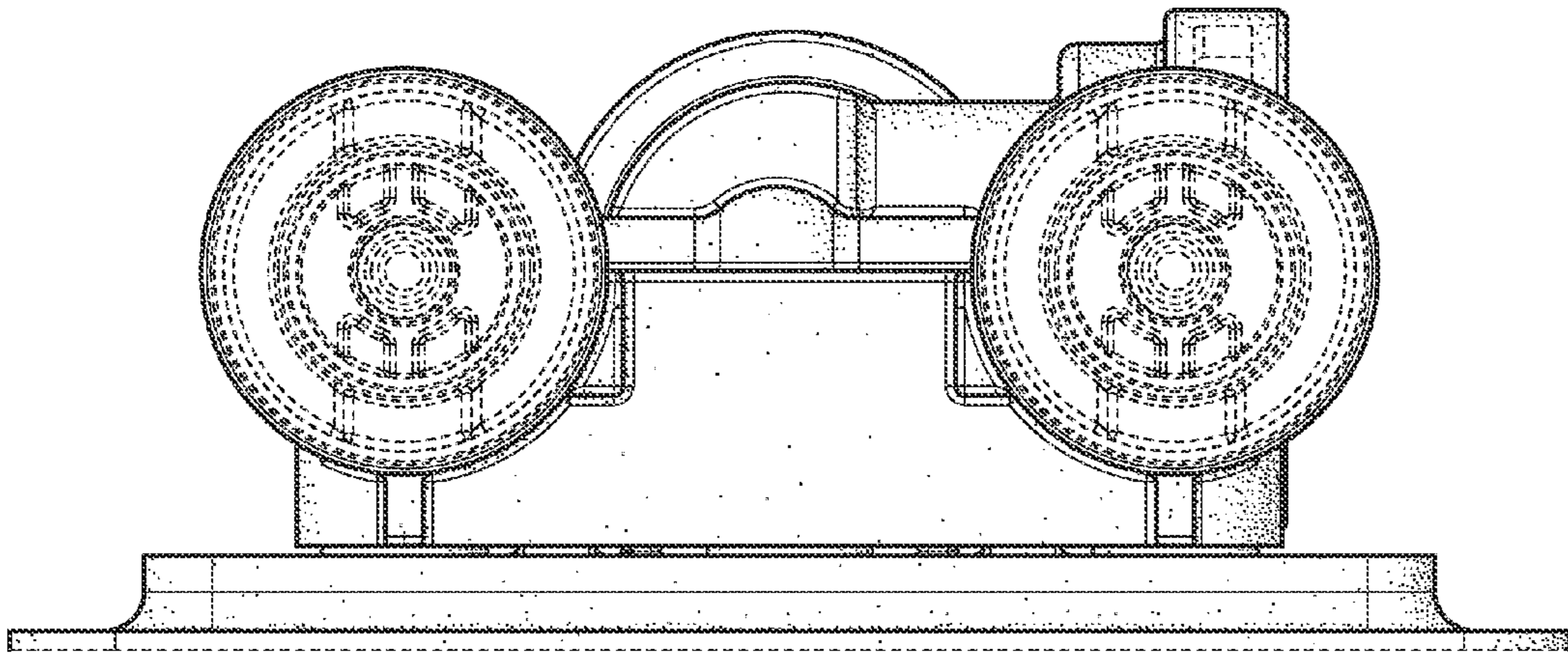


FIG. 4

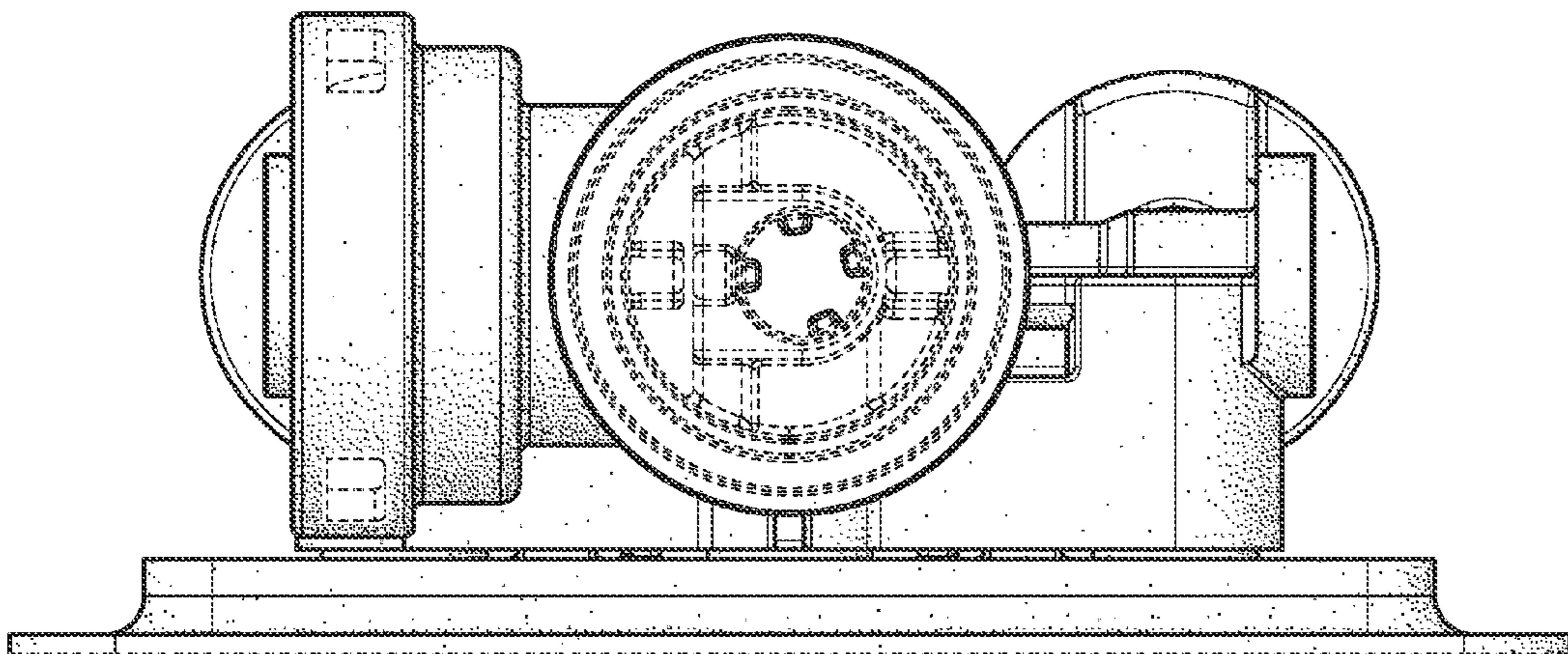


FIG. 5

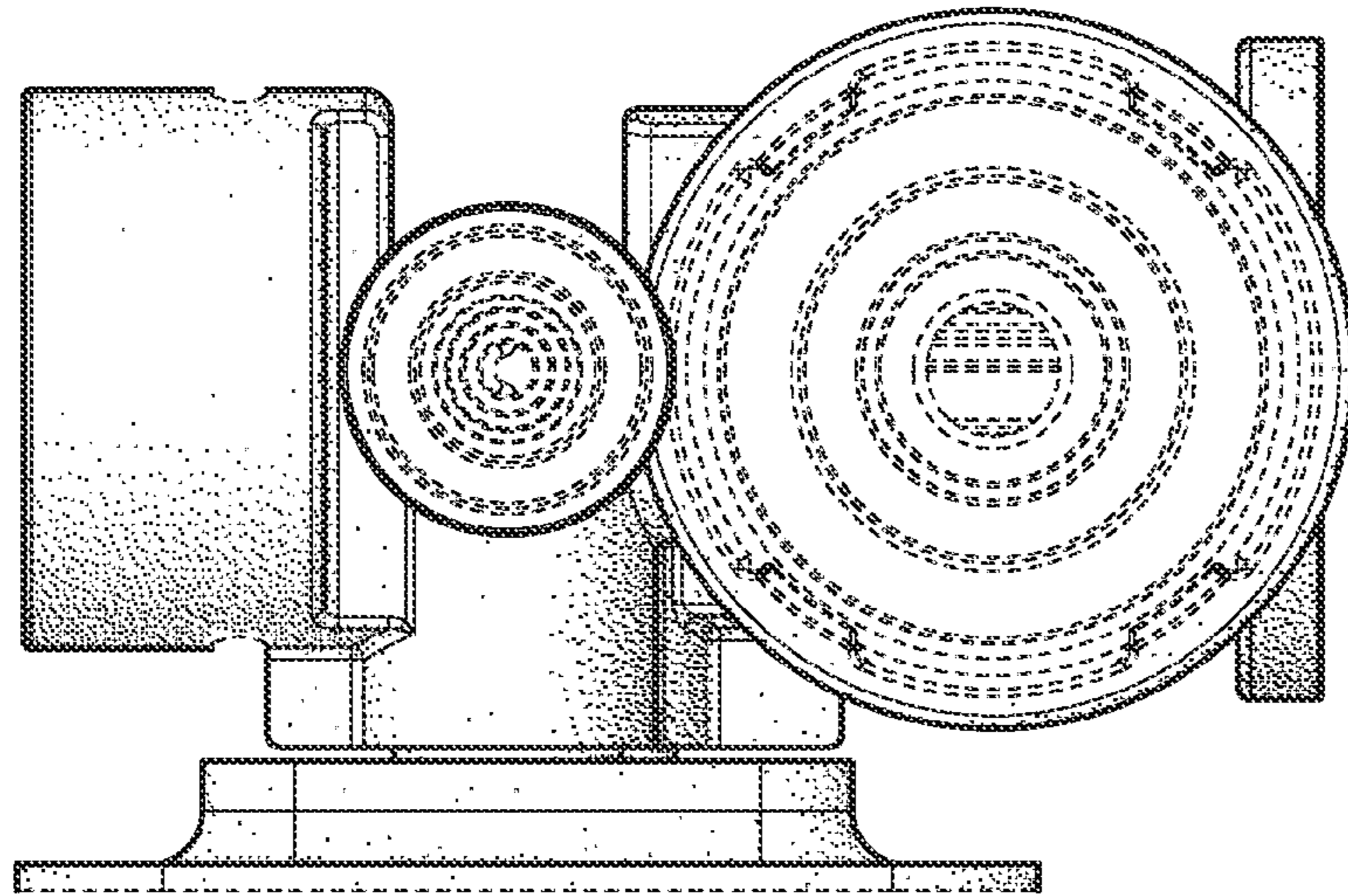


FIG. 6

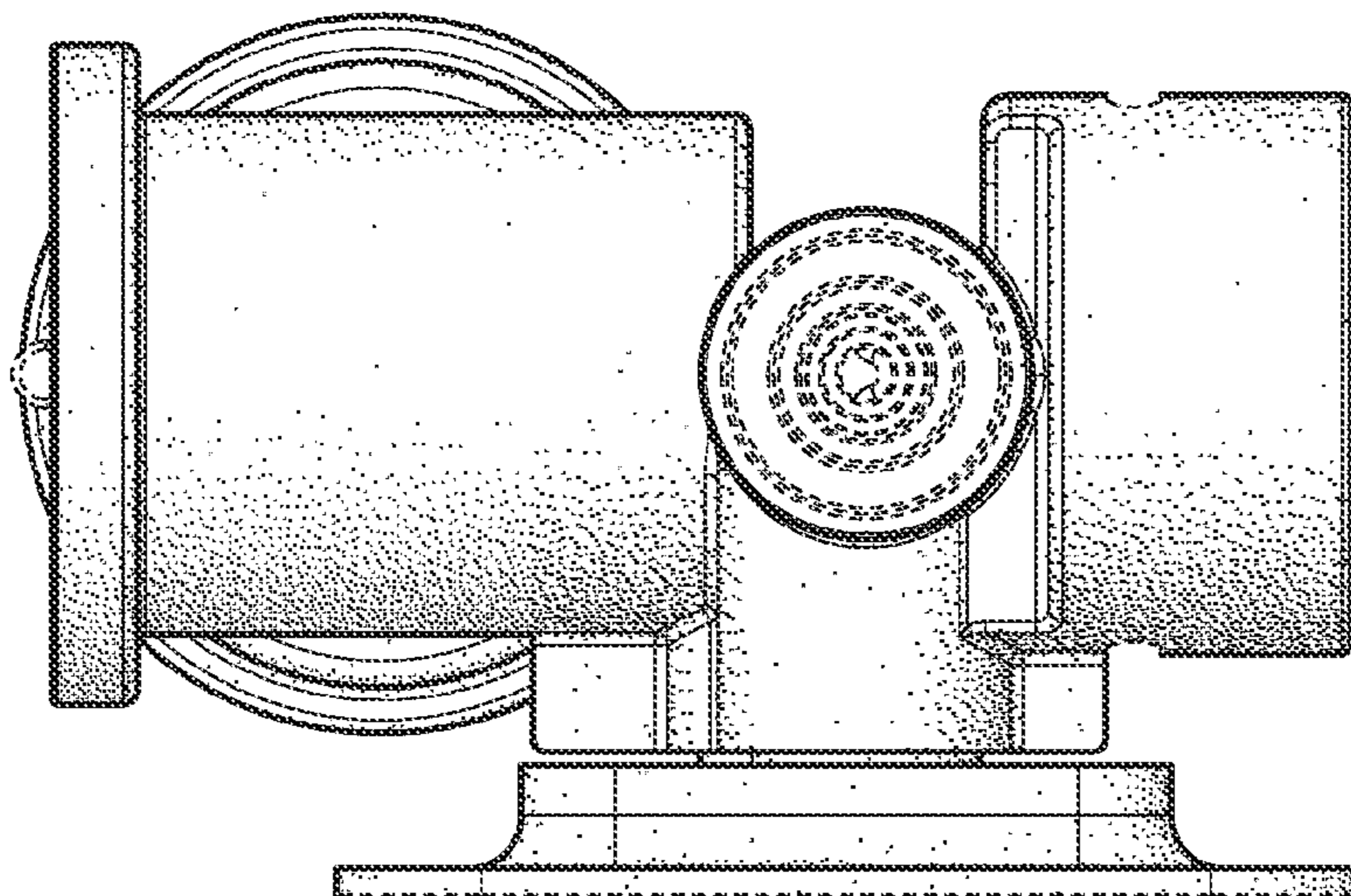


FIG. 7

UNITED STATES PATENT AND TRADEMARK OFFICE
CERTIFICATE OF CORRECTION

PATENT NO. : D735,596 S
APPLICATION NO. : 29/497564
DATED : August 4, 2015
INVENTOR(S) : Schmid et al.

Page 1 of 1

It is certified that error appears in the above-identified patent and that said Letters Patent is hereby corrected as shown below:

Title page, left Column at “(73) Assignee:” should read:

--Eaton Corporation, Cleveland, OH (US);
The Goodyear Tire & Rubber Company, Akron, OH (US)--

Signed and Sealed this
Twenty-ninth Day of December, 2015



Michelle K. Lee
Director of the United States Patent and Trademark Office