



US00D735590S

(12) **United States Design Patent**
Laforest et al.

(10) **Patent No.:** **US D735,590 S**

(45) **Date of Patent:** **** Aug. 4, 2015**

(54) **DETECTION SYSTEM**

(71) Applicant: **Schneider Electric Industries SAS**,
Rueil Malmaison (FR)

(72) Inventors: **Benoit Laforest**, Sommerey (FR); **Lino De Martin**, Croisy sur Andelle (FR)

(73) Assignee: **Schneider Electric Industries SAS**,
Rueil Malmaison (FR)

(**) Term: **14 Years**

(21) Appl. No.: **29/485,932**

(22) Filed: **Mar. 25, 2014**

(30) **Foreign Application Priority Data**

Nov. 7, 2013 (EM) 002340521-0001

(51) **LOC (10) Cl.** **10-04**

(52) **U.S. Cl.**
USPC **D10/46**; D10/70; D34/29

(58) **Field of Classification Search**
USPC D10/46, 70
CPC ... B65G 43/08; B65G 13/00; B65G 2203/042
See application file for complete search history.

(56) **References Cited**

U.S. PATENT DOCUMENTS

3,724,643 A * 4/1973 Kohl 198/787
4,240,538 A * 12/1980 Hawkes et al. 198/358

5,862,907 A * 1/1999 Taylor 198/781.05
5,906,268 A * 5/1999 Kalm 198/781.06
6,059,095 A * 5/2000 Tsuji 198/780
7,243,784 B2 * 7/2007 Cotter et al. 198/861.1
8,284,993 B2 * 10/2012 Taylor et al. 382/103
8,978,878 B2 * 3/2015 De Martin 198/781.05
2011/0297509 A1 * 12/2011 Taylor 198/572
2013/0118865 A1 * 5/2013 Kim 198/788
2013/0140131 A1 * 6/2013 Kaminski, Jr. 193/37

OTHER PUBLICATIONS

U.S. Appl. No. 29/485,943, filed Mar. 25, 2014, Laforest, et al.

* cited by examiner

Primary Examiner — Antoine D Davis

(74) *Attorney, Agent, or Firm* — Oblon, McClelland, Maier & Neustadt, L.L.P.

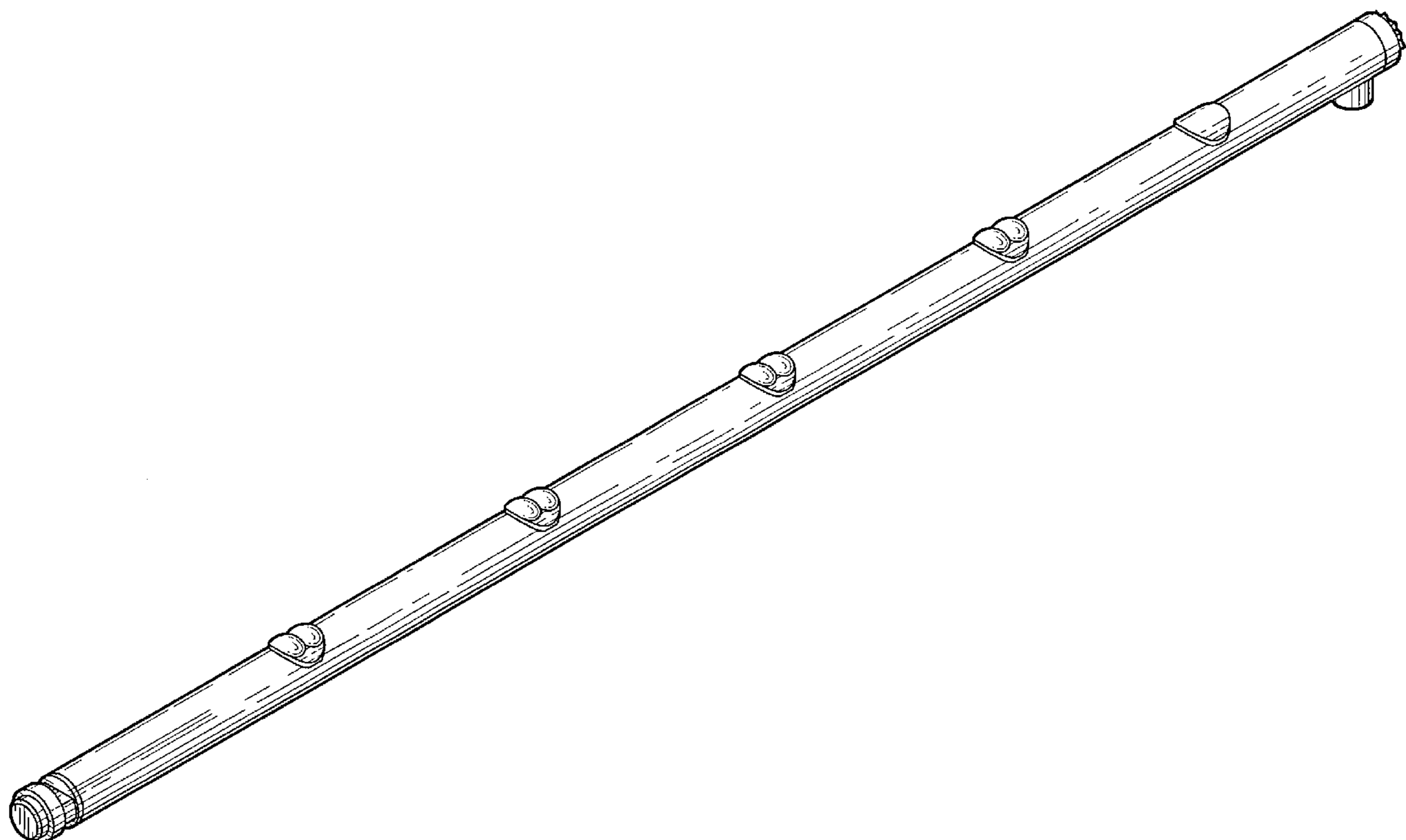
(57) **CLAIM**

The ornamental design for a detection system, as shown and described.

DESCRIPTION

FIG. 1 is a front, top, and left side perspective view of a detection system;
FIG. 2 is a top plan view thereof;
FIG. 3 is a bottom plan view thereof;
FIG. 4 is a front elevational view thereof;
FIG. 5 is a rear elevational view thereof;
FIG. 6 is a right side elevational view thereof; and,
FIG. 7 is a left side elevational view thereof.

1 Claim, 4 Drawing Sheets



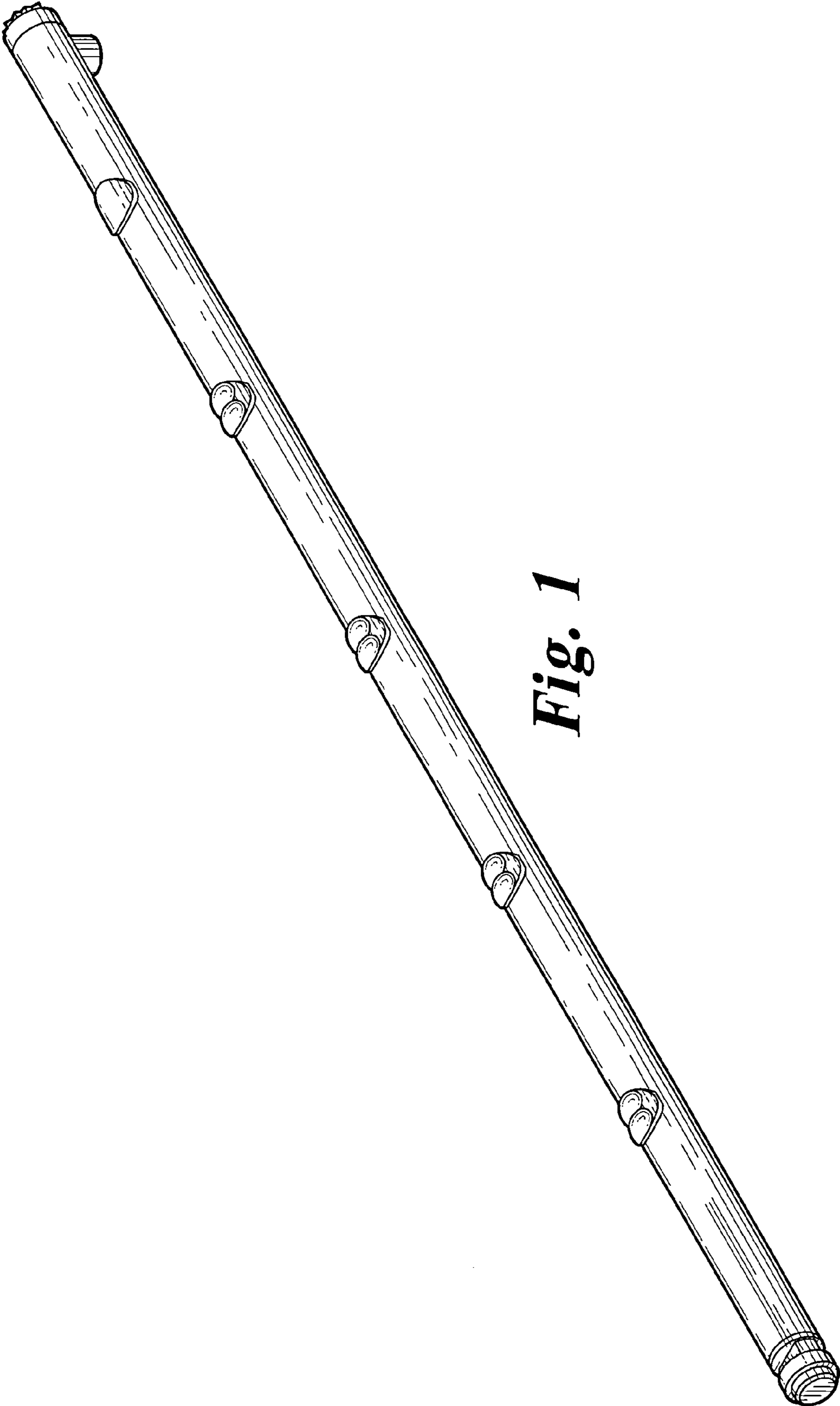


Fig. 1



Fig. 2

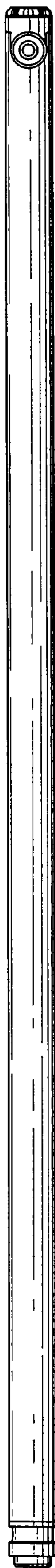


Fig. 3



Fig. 4

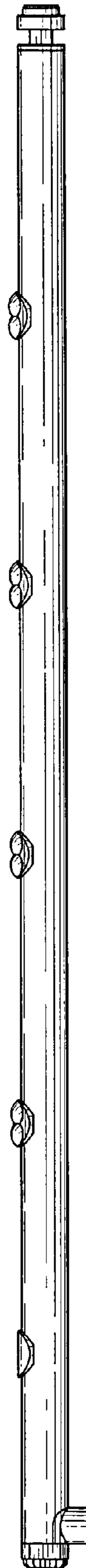


Fig. 5

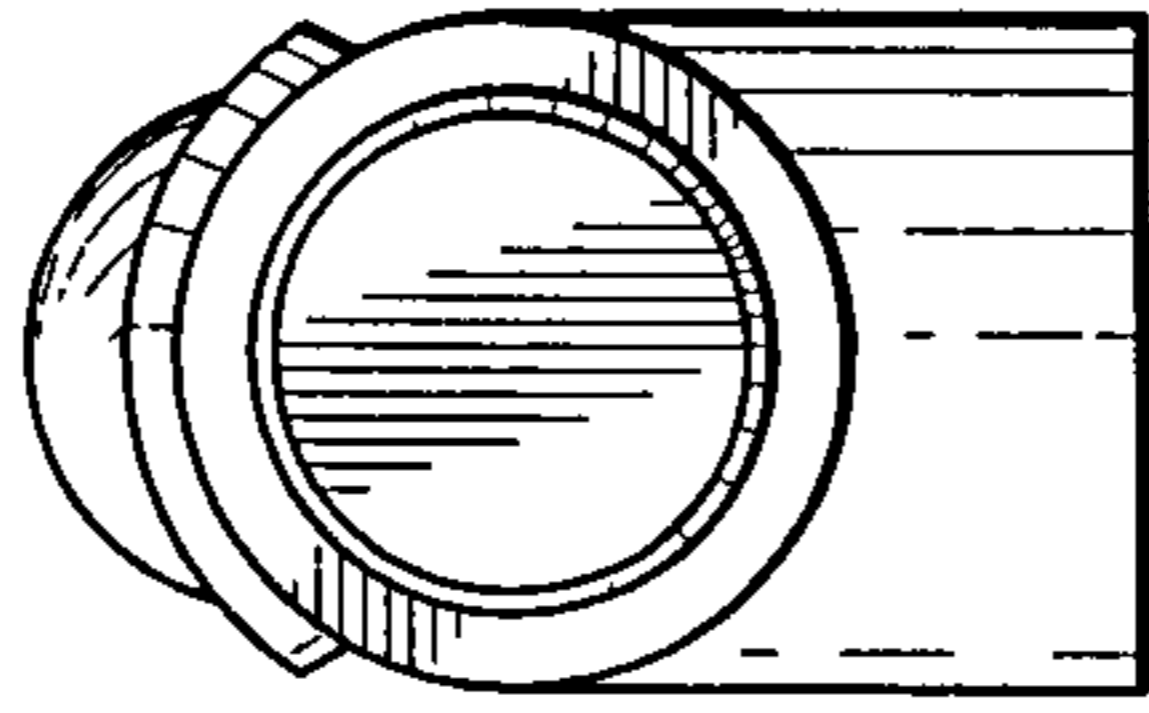


Fig. 7

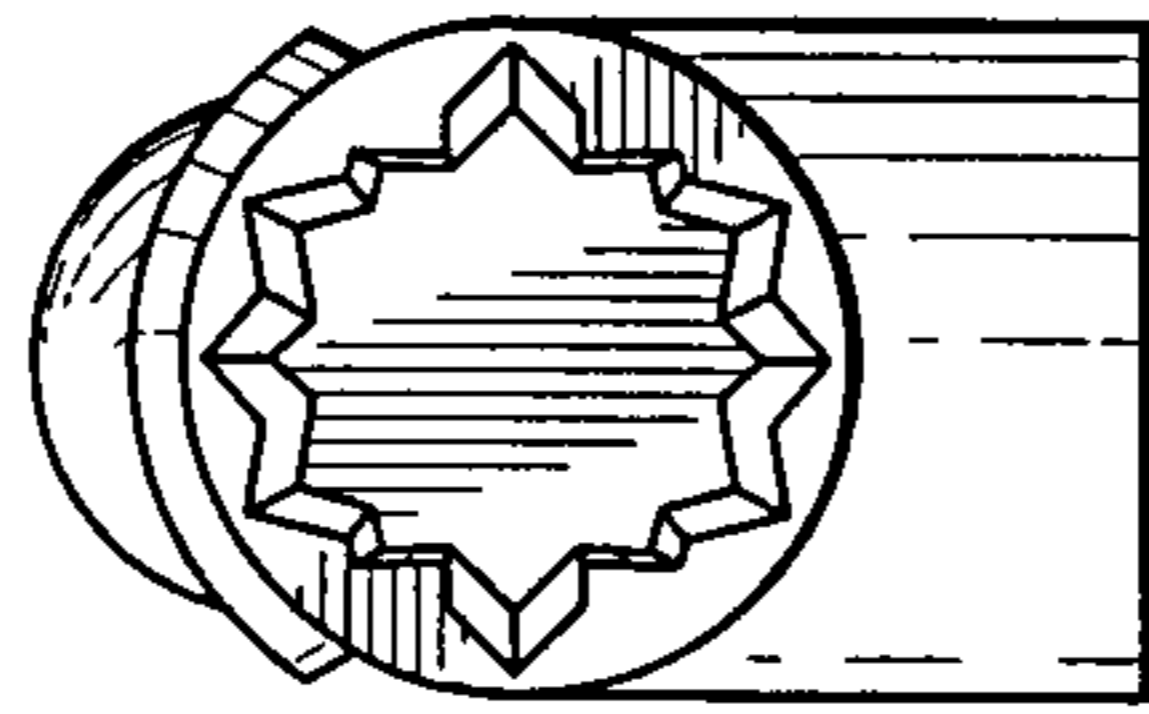


Fig. 6