



US00D735589S

(12) **United States Design Patent**
Grinberg

(10) **Patent No.:** **US D735,589 S**
(45) **Date of Patent:** **** Aug. 4, 2015**

(54) **WATCH CASE**

(75) Inventor: **Efraim Grinberg**, New York, NY (US)

(73) Assignee: **Movado LLC**, Wilmington, DE (US)

(**) Term: **14 Years**

(21) Appl. No.: **29/414,402**

(22) Filed: **Feb. 28, 2012**

(51) **LOC (10) Cl.** **10-02**

(52) **U.S. Cl.**
USPC **D10/38**

(58) **Field of Classification Search**
USPC D10/122–132, 38, 39, 30, 31, 32;
368/30, 84, 242, 276, 281, 282;
D14/344

CPC G04G 21/00; G04G 21/08; G04G 9/085;
G04G 9/025; G04G 9/126; G04G 9/0094

See application file for complete search history.

(56) **References Cited**

U.S. PATENT DOCUMENTS

1,961,734 A	6/1934	Bieger	
D183,488 S *	9/1958	Horwitt	D10/124
3,864,905 A *	2/1975	Richardson	368/67
3,950,078 A *	4/1976	Zatsky	349/71
3,969,887 A *	7/1976	Fukumoto	368/242
3,981,138 A *	9/1976	Levine et al.	368/84
3,991,552 A *	11/1976	Ho et al.	368/30
4,011,001 A *	3/1977	Moriya	349/65
4,024,676 A *	5/1977	Yamamura	368/159
4,058,971 A *	11/1977	Epperson	368/29
4,129,982 A *	12/1978	de la Cruz	368/225

(Continued)

FOREIGN PATENT DOCUMENTS

EP	0777166 A2 *	6/1997	
EP	1424658 A1 *	6/2004	G07C 9/00
WO	WO 2007071554 A1 *	6/2007	

OTHER PUBLICATIONS

Wristwatch Annual, The Catalog of Producers, Prices, Models, and Specifications, 2007, p. 301, Movado watches.*

(Continued)

Primary Examiner — Lucy Lieberman

(74) *Attorney, Agent, or Firm* — Fross Zelnick Lehman & Zissu, P.C.; Charles T. J. Weigell, Esq.

(57) **CLAIM**

The ornamental design for a watch case, as shown and described.

DESCRIPTION

FIG. 1 is a front perspective view of a watch case with blank screen showing my new design;

FIG. 2 is a front view of the watch case shown in FIG. 1;

FIG. 3 is a rear view of the watch case shown in FIG. 1;

FIG. 4 is a right side view of the watch case shown in FIG. 1 (with the left side view being a mirror image thereof);

FIG. 5 is a top view of the watch case shown in FIG. 1 (with the bottom view being a mirror image thereof);

FIG. 6 is a front view of the watch case shown in FIG. 1, shown with a first time configuration;

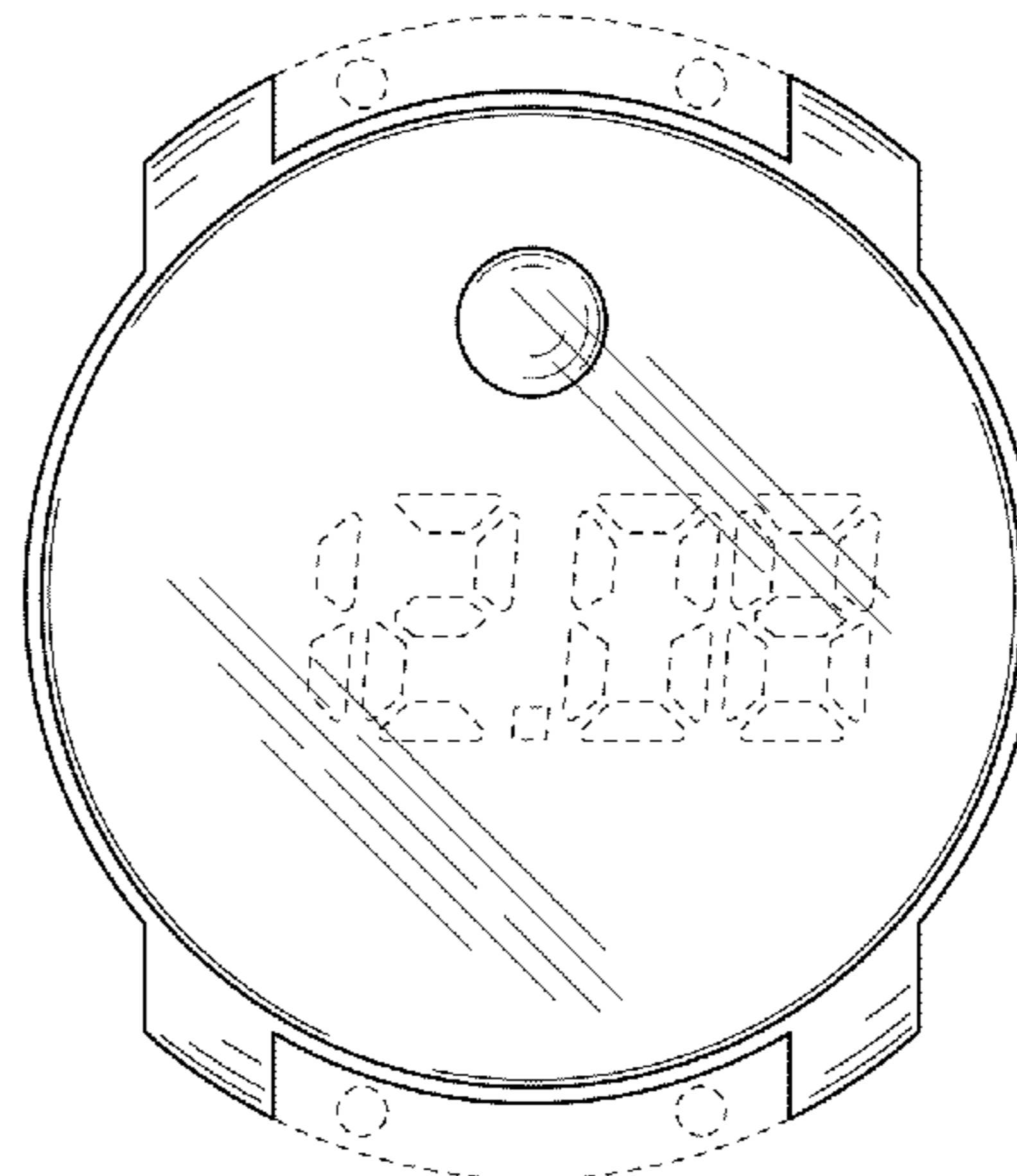
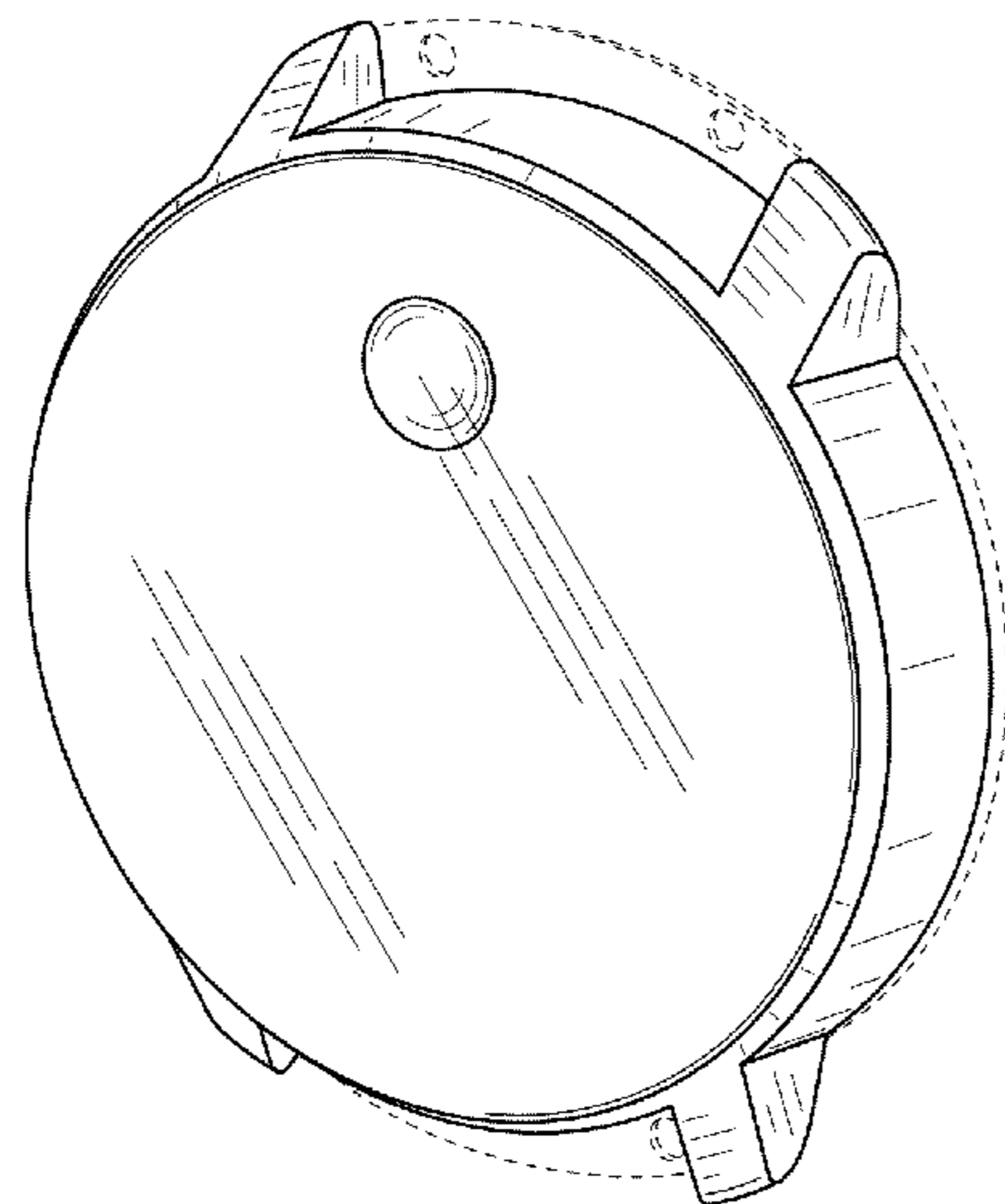
FIG. 7 is a front view of the watch case shown in FIG. 1, shown with a second time configuration; and,

FIG. 8 is a front view of the watch case shown in FIG. 1, shown with a date configuration.

The broken line display of the specific numerical formats shown in FIGS. 6, 7 and 8 are unclaimed matter.

The broken line showing of the screws, rear portions, and top and bottom strap attachment areas shows unclaimed subject matter for the design in those drawings.

1 Claim, 3 Drawing Sheets



(56)

References Cited

OTHER PUBLICATIONS

U.S. PATENT DOCUMENTS

4,198,810	A *	4/1980	Fahrenschon	368/239
4,204,399	A *	5/1980	Heynisch	368/240
4,835,750	A	5/1989	Quincey	
D301,557	S *	6/1989	Agostini	D10/126
D316,228	S *	4/1991	Frommherz	D10/30
D322,038	S *	12/1991	Strasser et al.	D10/39
6,020,943	A *	2/2000	Sonoda et al.	349/61
6,809,993	B1 *	10/2004	Muller et al.	368/242
D545,697	S *	7/2007	Martin	D10/38
D555,520	S *	11/2007	Strasser	D10/39
D590,277	S *	4/2009	Wei	D10/38
D603,742	S *	11/2009	Martin	D10/128
D652,325	S *	1/2012	Ahlstrom	D10/38

iWatchz, iWatchz Carbon Collection, printed from iwatchz.com on Feb. 15, 2012.

Kenneth Cole New York, Rubber Strap Touch Screen Watch, printed from kennethcole.com on Feb. 15, 2012.

Samsung, S9110 Touchscreen Watch Phone, printed from gadgetreview.com, published Jul. 22, 2009.

ThinkGeek, Abyss LED Touchscreen Watch, printed from thinkgeek.com on Feb. 15, 2012.

* cited by examiner

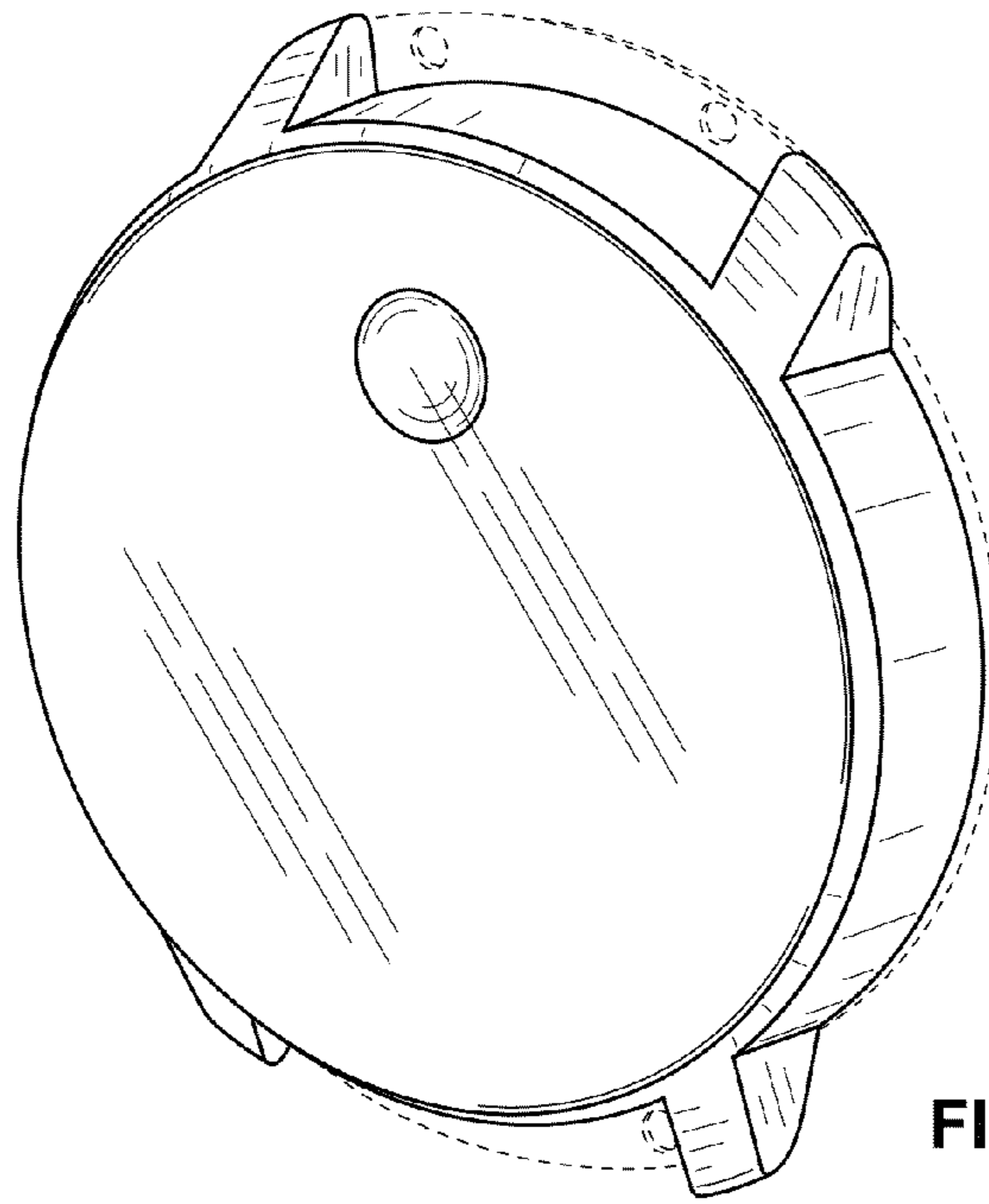


FIG. 1

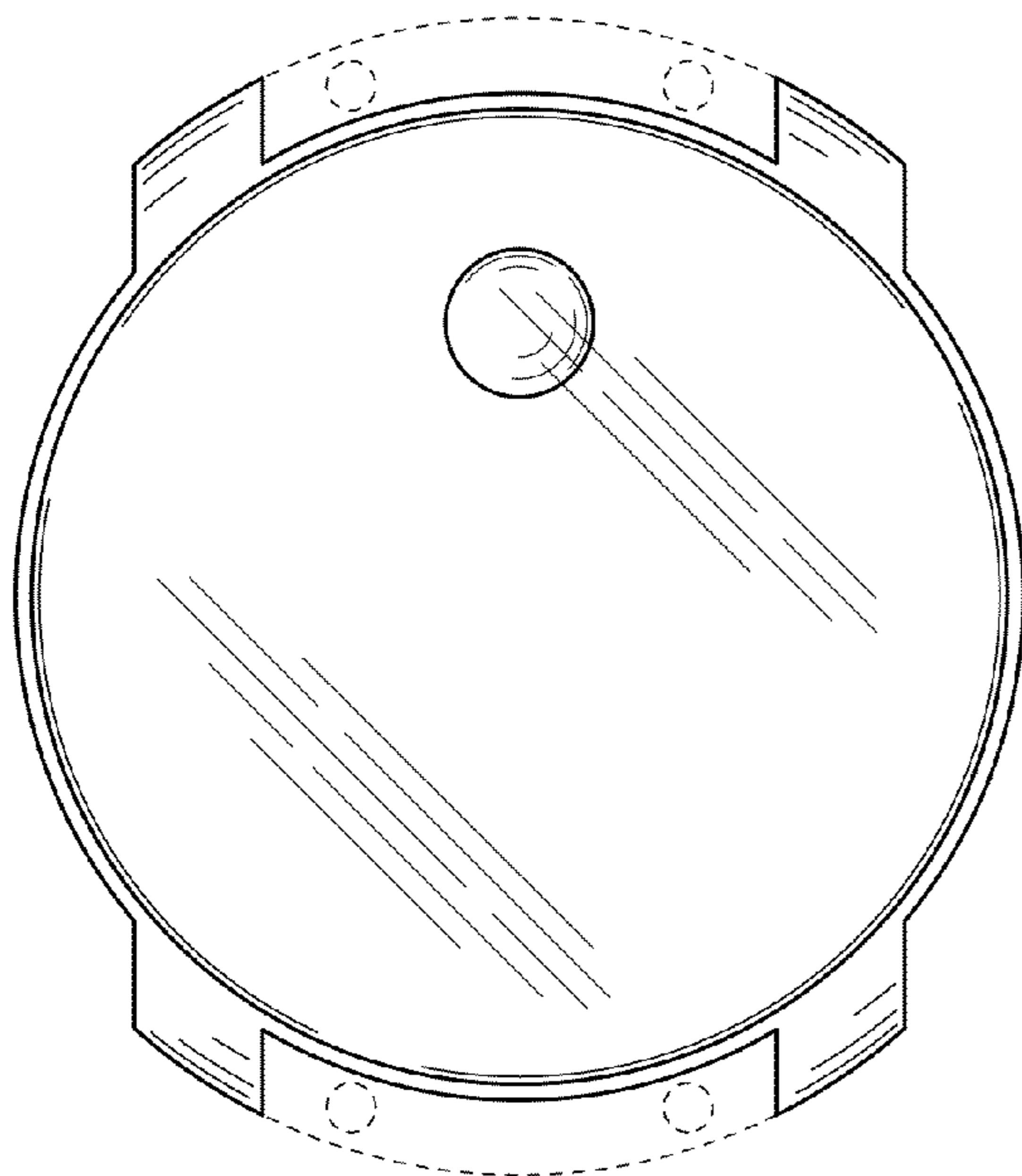


FIG. 2

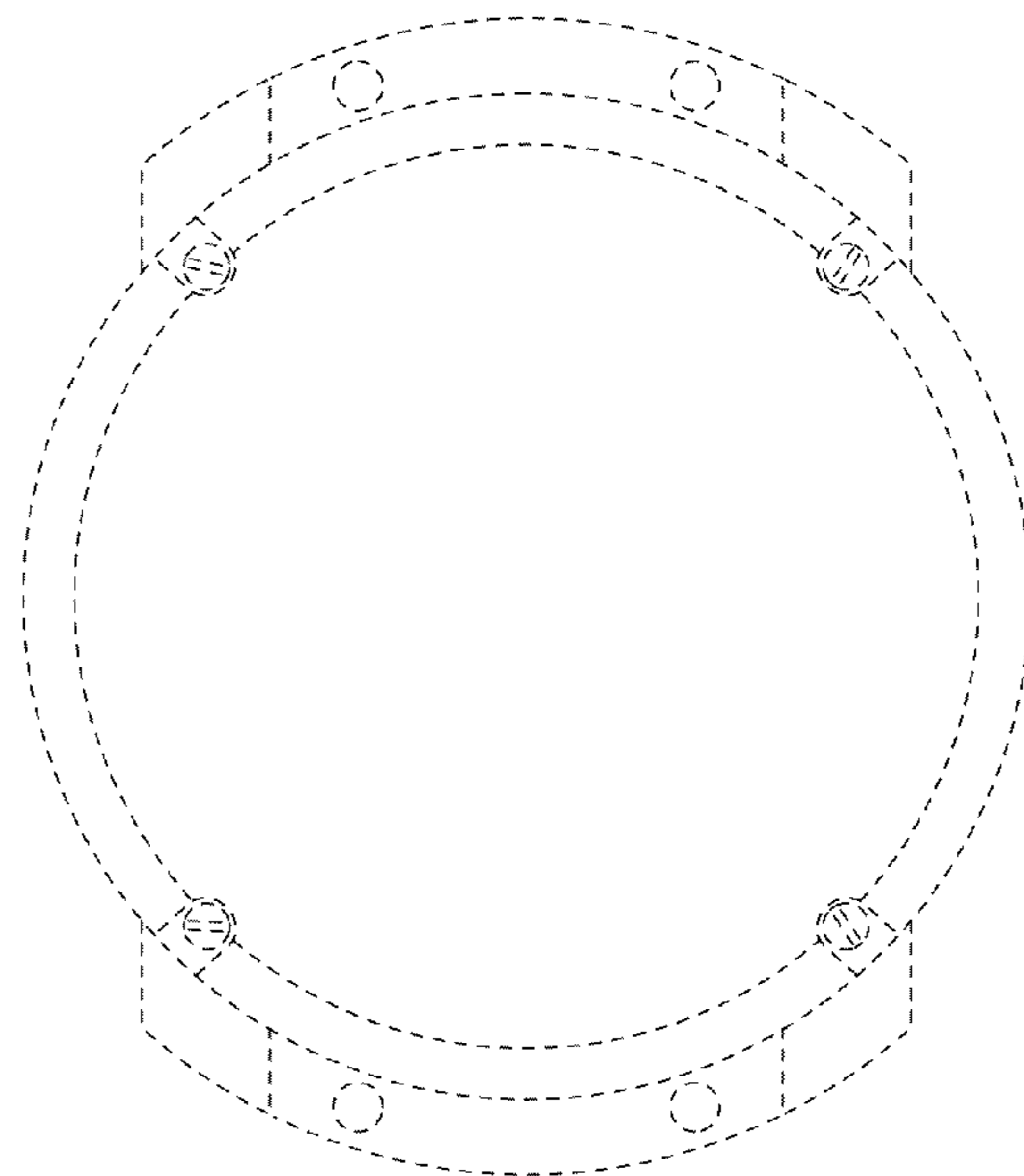


FIG. 3

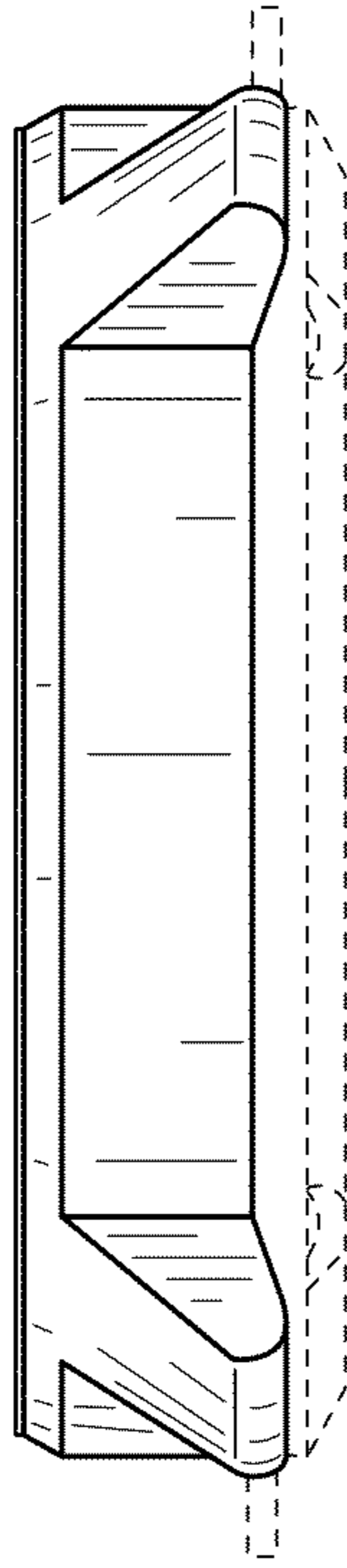


FIG. 4

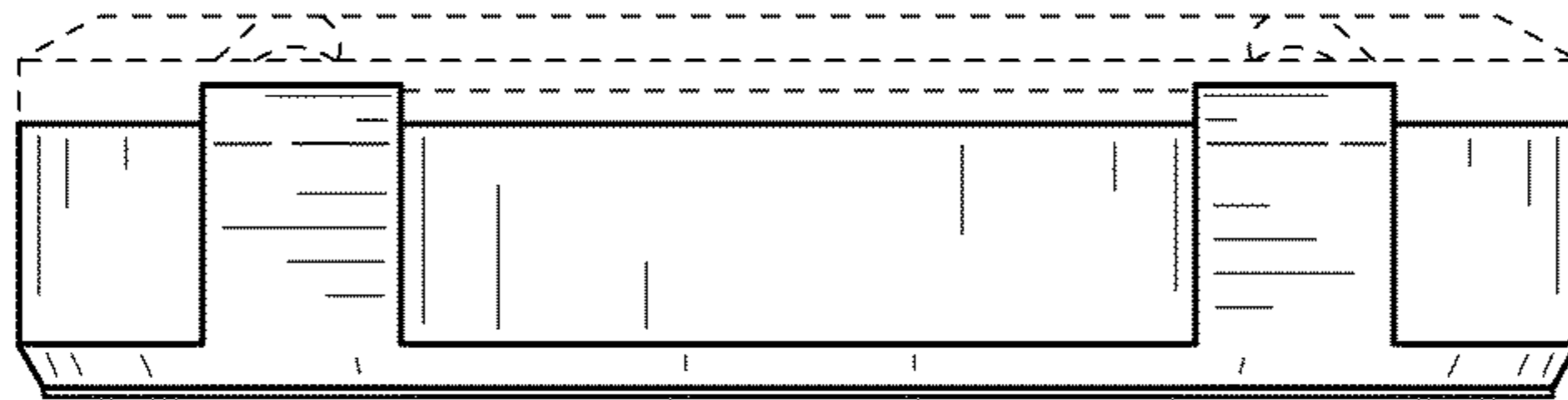


FIG. 5

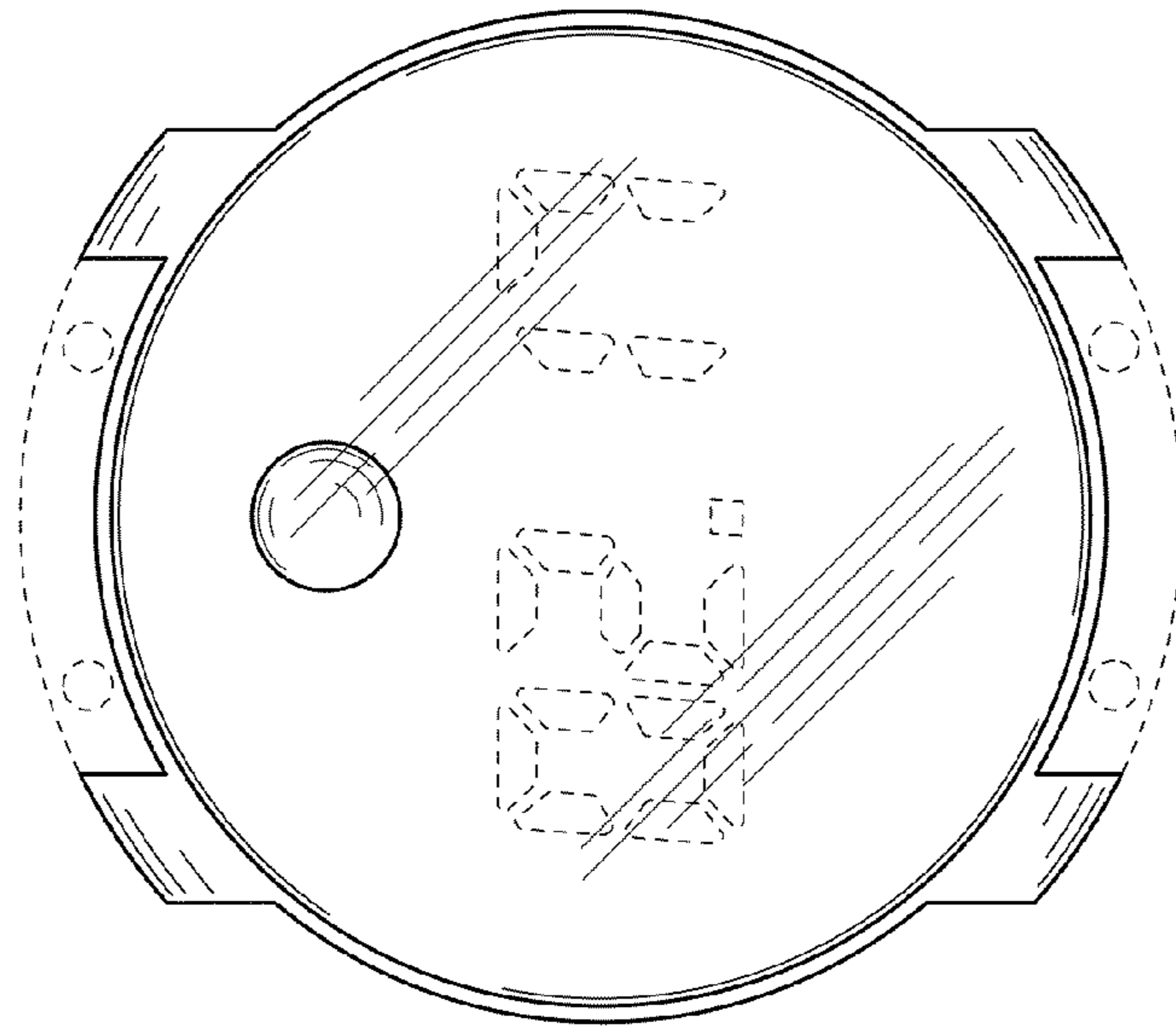


FIG. 6

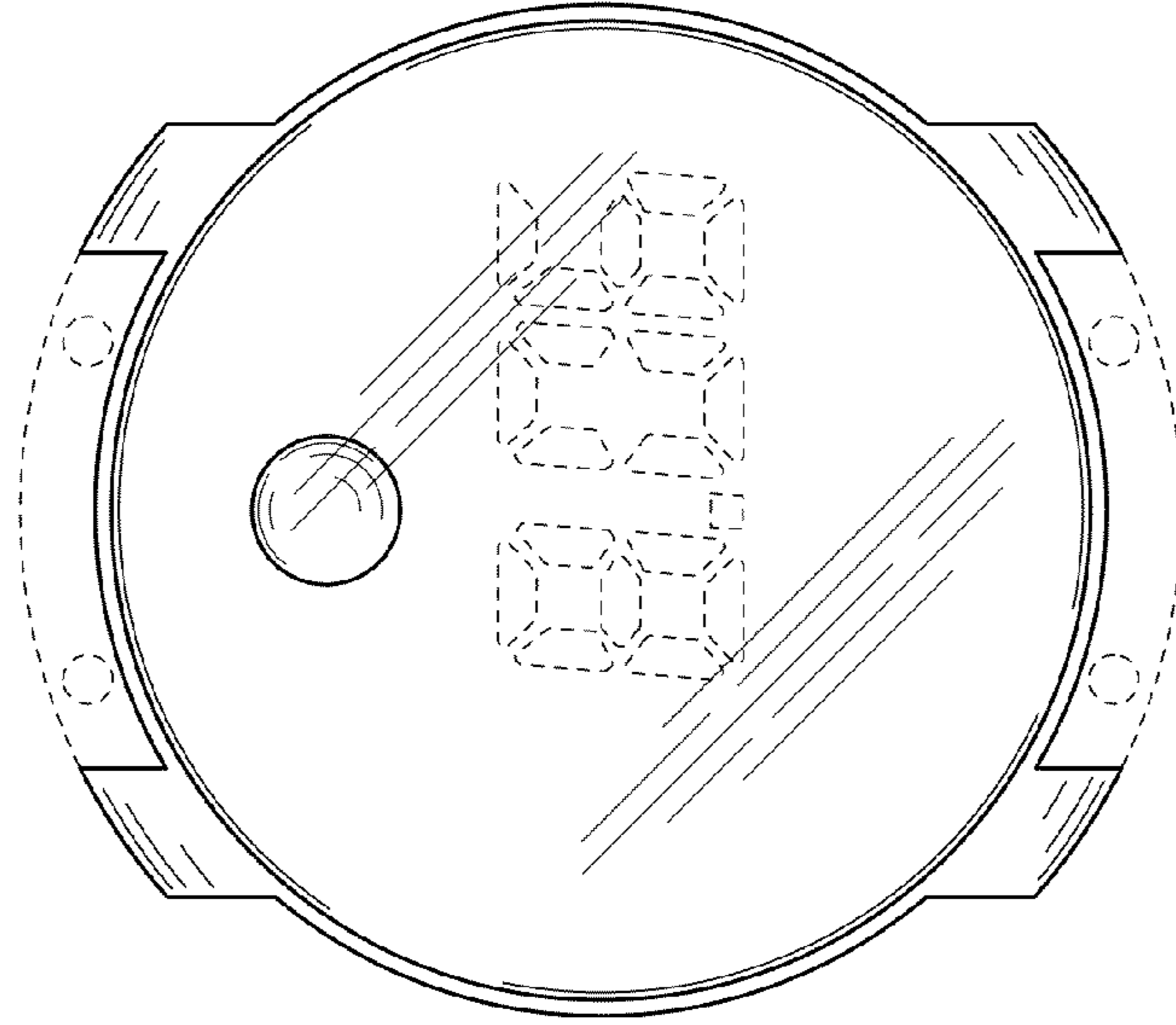


FIG. 7

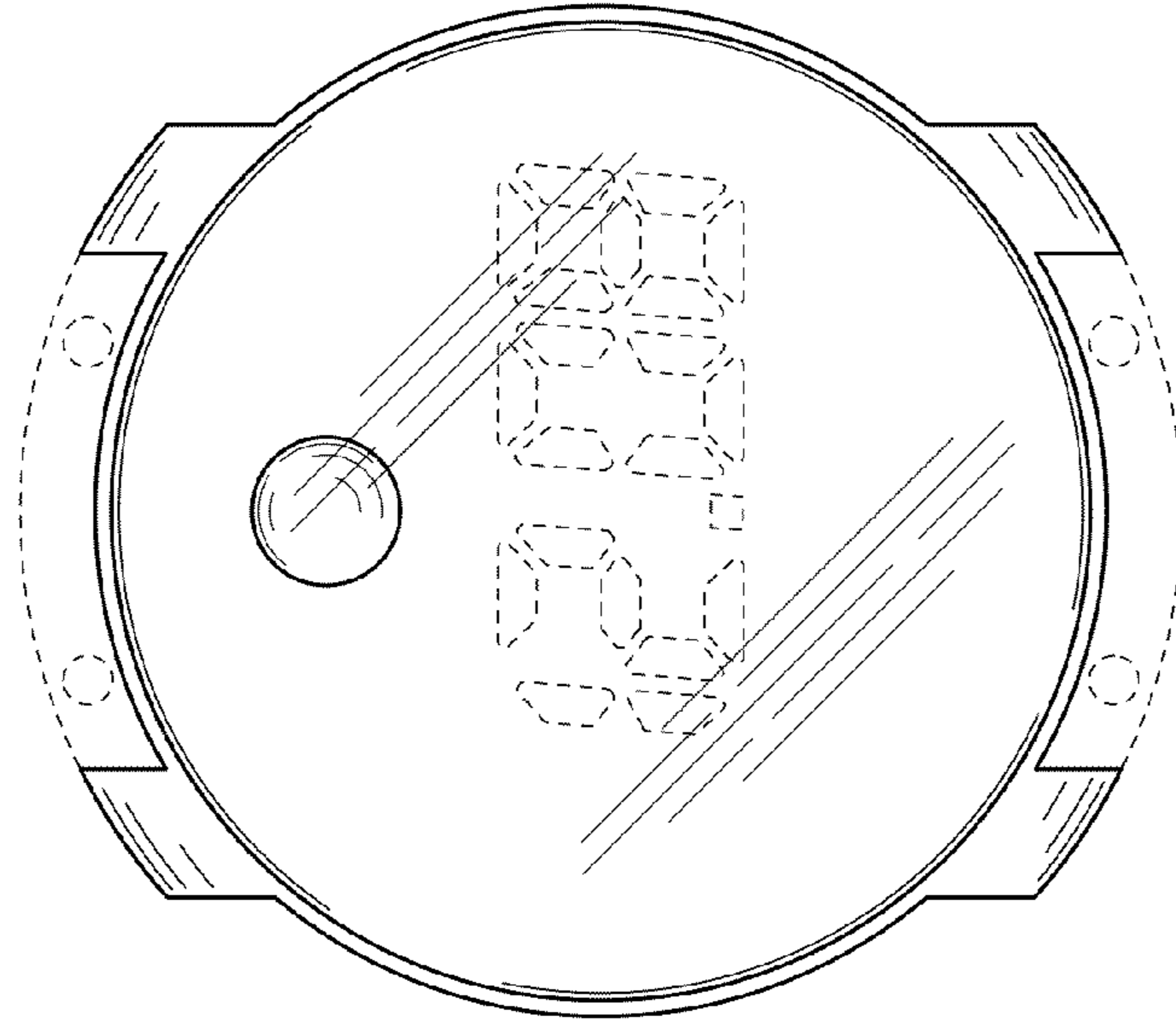


FIG. 8